



US00D590914S

(12) **United States Design Patent**
Saxon et al.

(10) **Patent No.:** **US D590,914 S**
(45) **Date of Patent:** **** Apr. 21, 2009**

(54) **BOAT SHOWER HEAD FOR ATTACHMENT TO OPTION BRACKETS**

(76) Inventors: **Thomas Jason Saxon**, 14109 N. Bayshore Blvd., Madeira Beach, FL (US) 33708; **Holly Holleman Saxon**, 14109 N. Bayshore Blvd., Madeira Beach, FL (US) 33708

(**) Term: **14 Years**

(21) Appl. No.: **29/325,200**

(22) Filed: **Sep. 26, 2008**

(51) **LOC (9) Cl.** **23-01**

(52) **U.S. Cl.** **D23/213**

(58) **Field of Classification Search** D23/213, D23/223, 229-230; 239/282-283, 460, 462
See application file for complete search history.

(56) **References Cited**

U.S. PATENT DOCUMENTS

| | | | |
|--------------|---------|-----------------------|---------|
| D334,046 S * | 3/1993 | Klose | D23/213 |
| D469,847 S * | 2/2003 | Schroeder et al. | D23/213 |
| D499,463 S * | 12/2004 | Mather | D23/213 |

* cited by examiner

Primary Examiner—Robin V Webster
(74) *Attorney, Agent, or Firm*—Frank Liebenow; Larson & Larson

(57) **CLAIM**

The ornamental design for a boat shower for attachment to option brackets, as shown and described.

DESCRIPTION

FIG. 1 is a left elevation view of the boat shower head for attachment to option brackets showing our novel design;
FIG. 2 is a right elevation view thereof;
FIG. 3 is a top plan view thereof;
FIG. 4 is a bottom plan view thereof;
FIG. 5 is a front elevation view thereof;
FIG. 6 is a rear elevation view thereof; and,
FIG. 7 is a perspective view of our novel design thereof.
The broken lines showing in FIG. 7 are for illustrative purposes only and form no part of the claimed design.

1 Claim, 4 Drawing Sheets

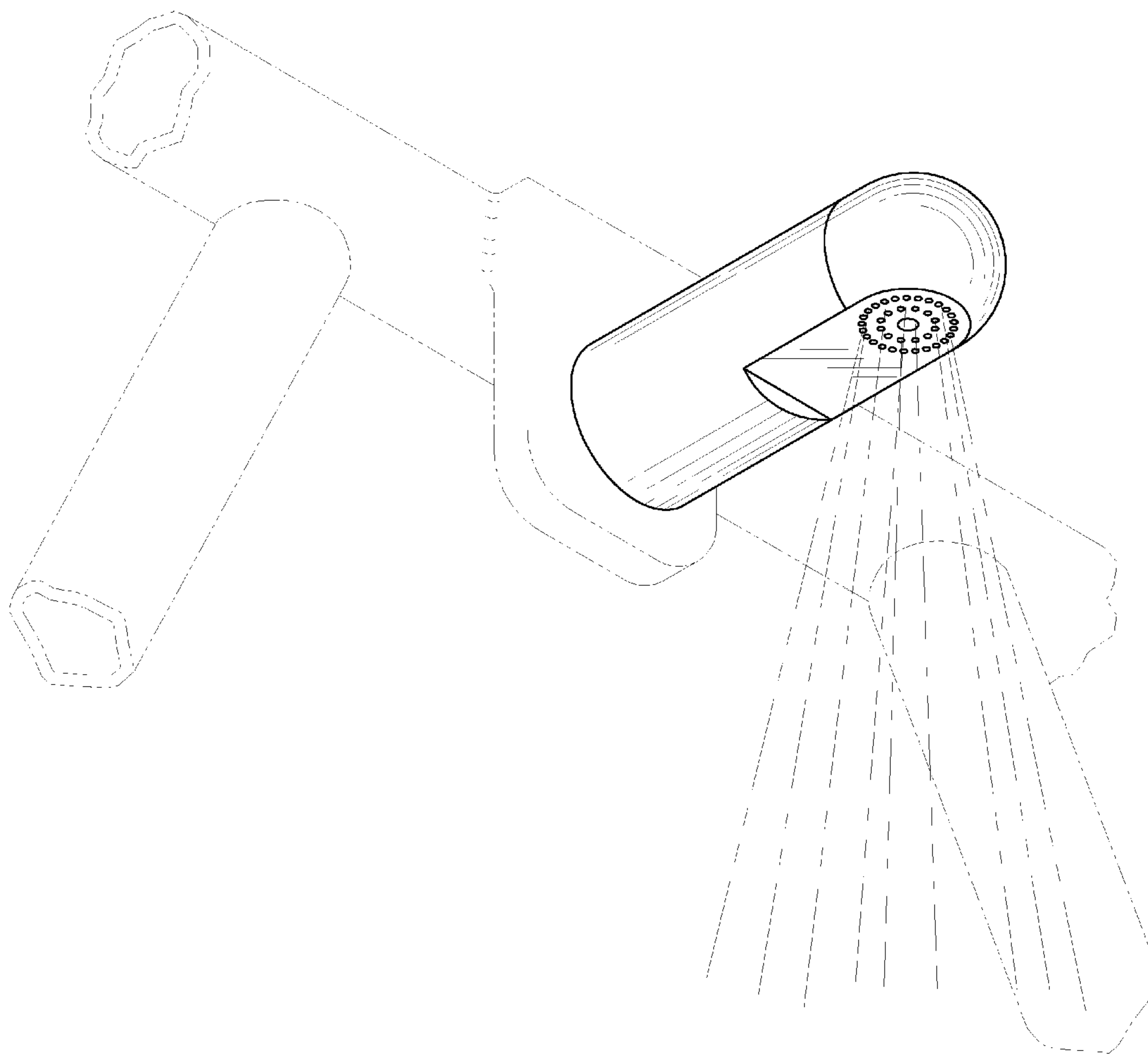


FIG. 1

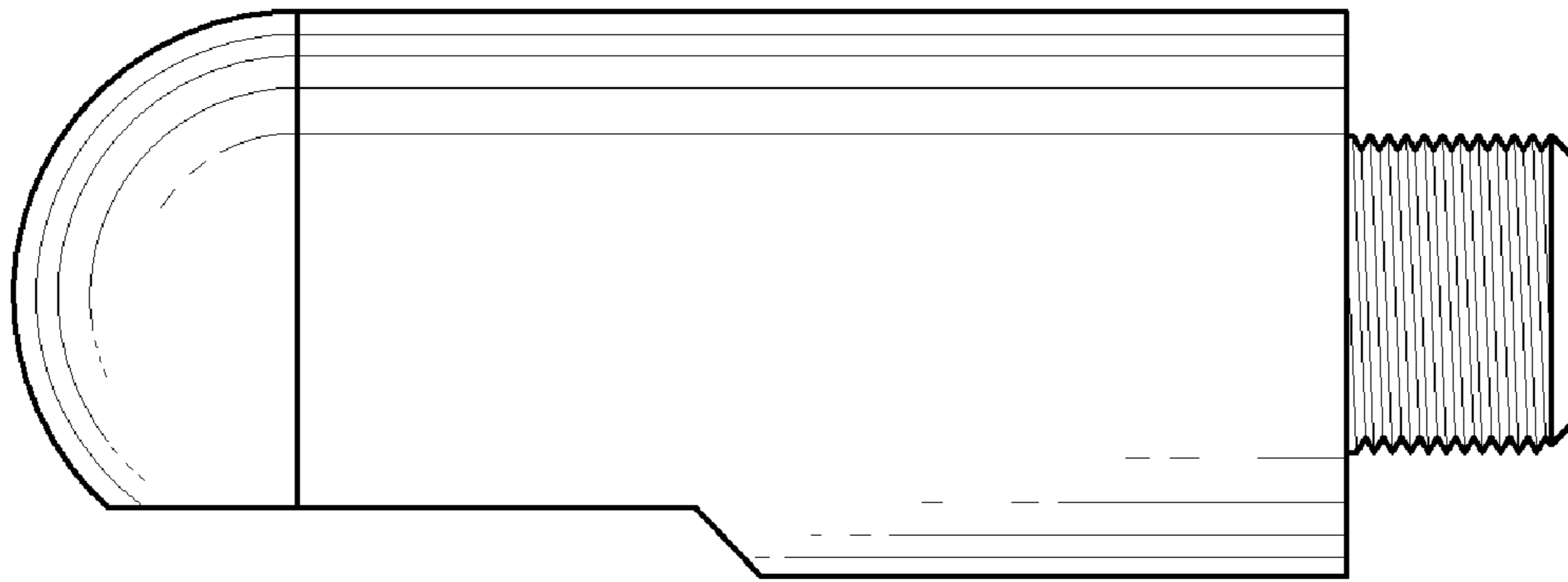


FIG. 2



FIG. 3

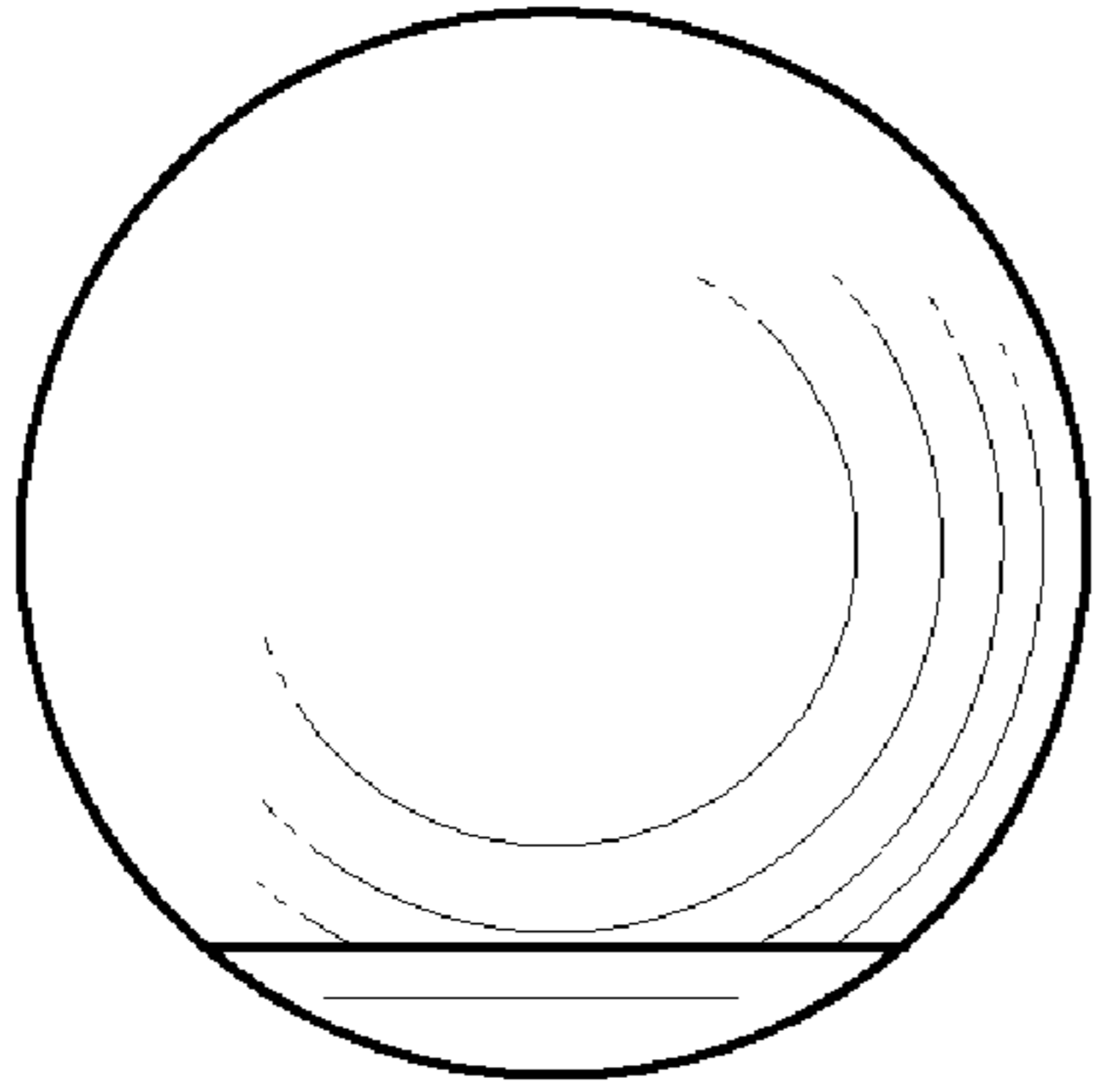


FIG. 4

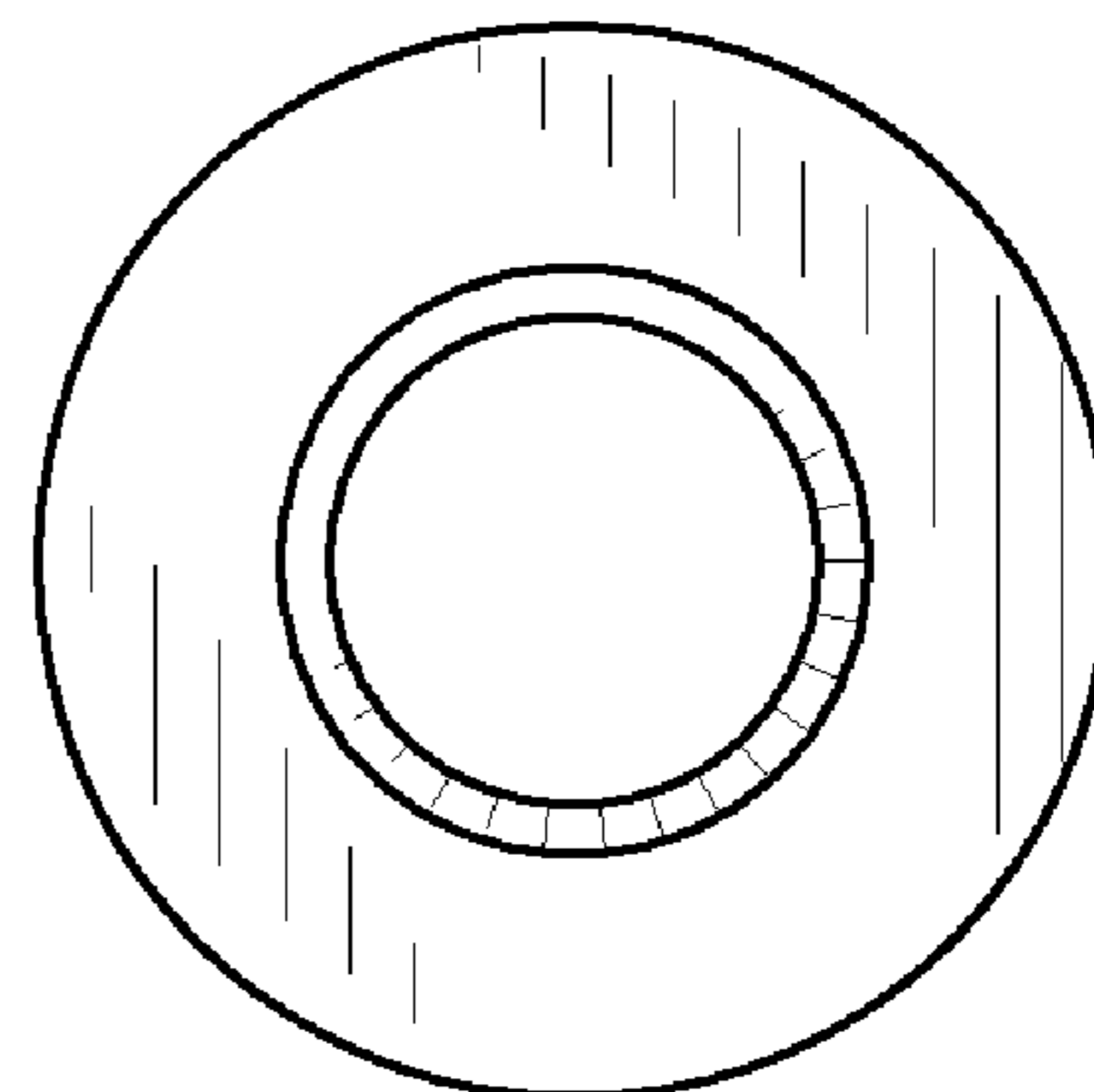


FIG. 5

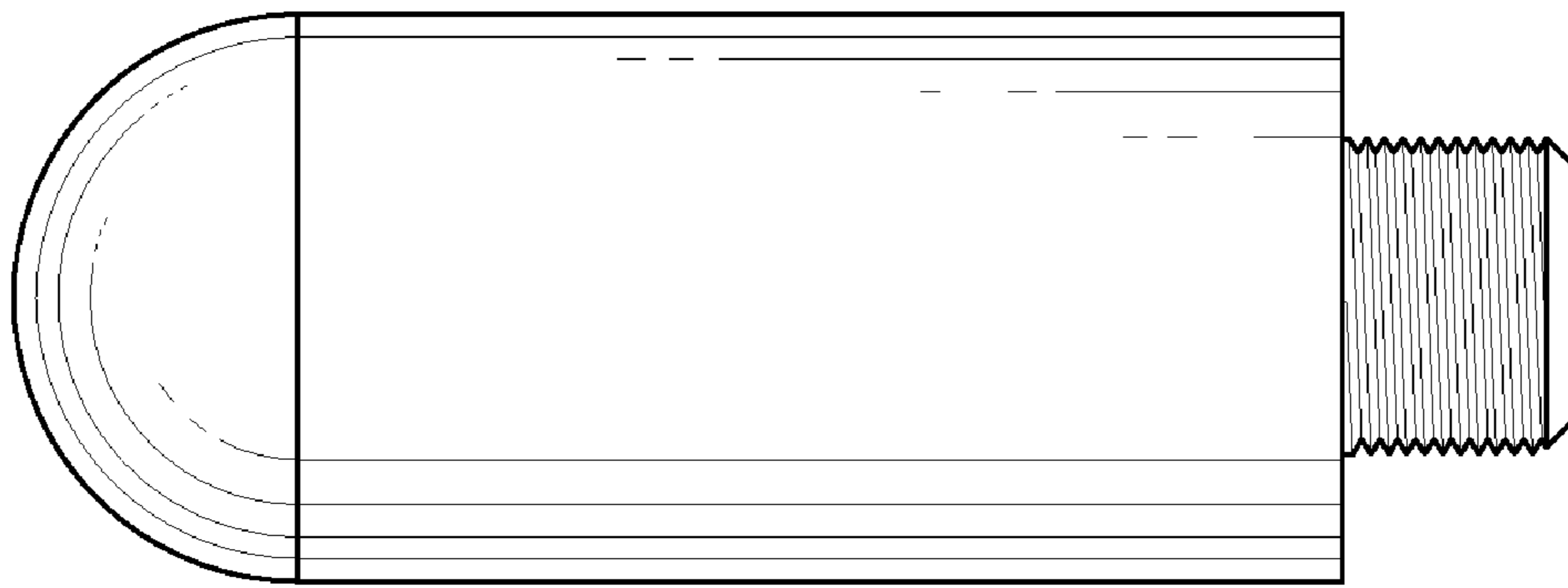
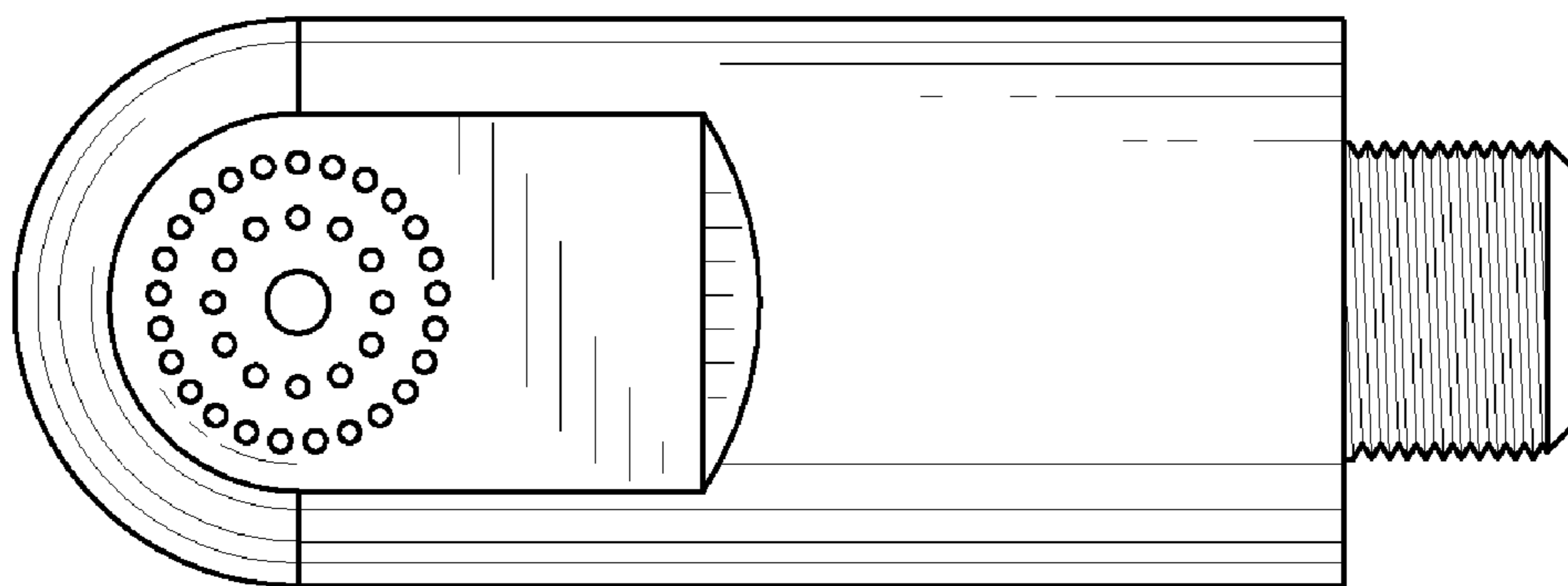


FIG. 6



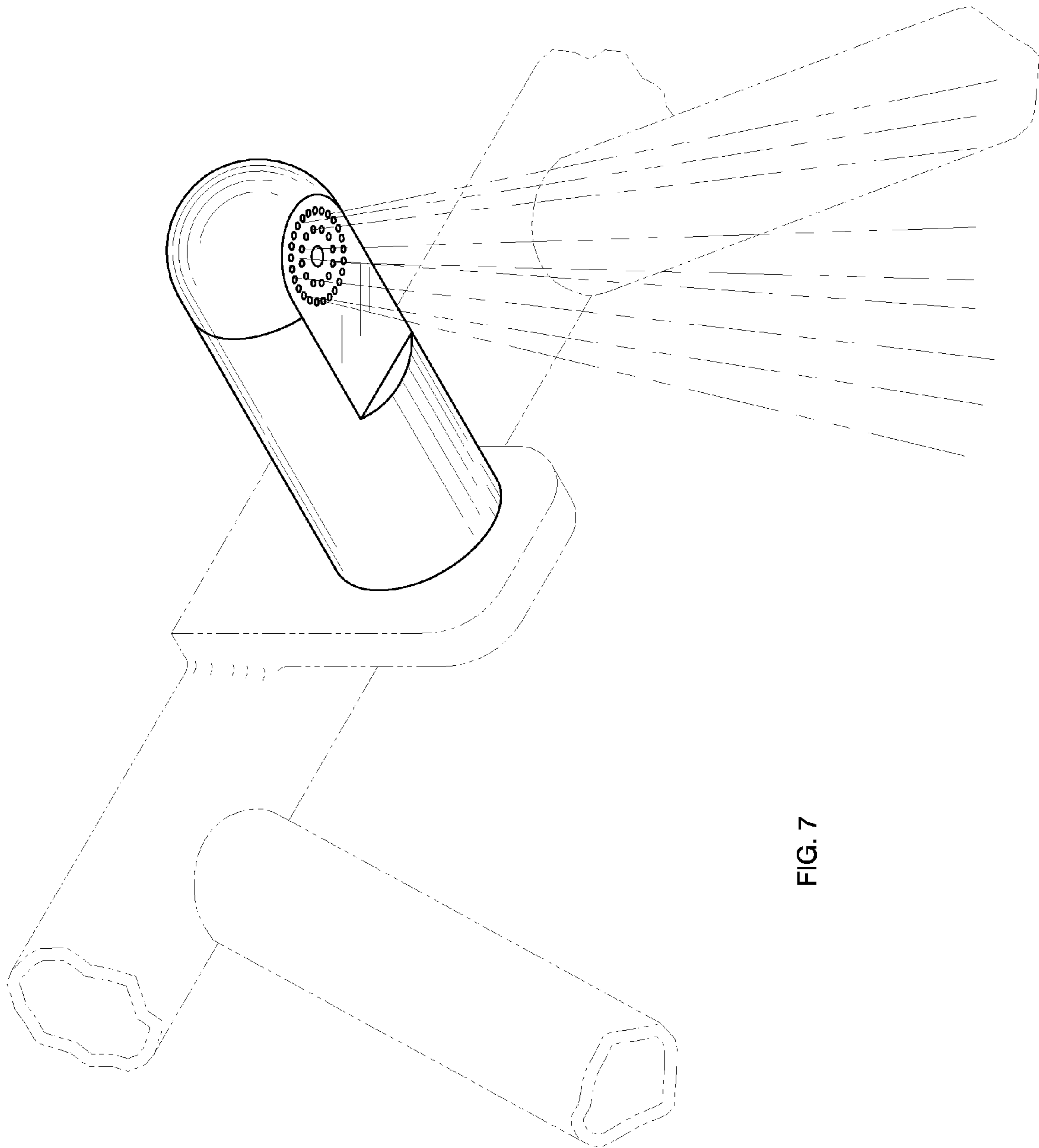


FIG. 7