



US00D590913S

(12) **United States Design Patent**
Smith et al.

(10) **Patent No.:** **US D590,913 S**

(45) **Date of Patent:** **** Apr. 21, 2009**

(54) **SHOWERHEAD**

(75) Inventors: **Michael S. Smith**, Santa Monica, CA (US); **William C. McKeone**, Sheboygan, WI (US)

(73) Assignee: **Kohler Co.**, Kohler, WI (US)

(**) Term: **14 Years**

(21) Appl. No.: **29/306,486**

(22) Filed: **Apr. 10, 2008**

(51) **LOC (9) Cl.** **23-01**

(52) **U.S. Cl.** **D23/213; D23/229**

(58) **Field of Classification Search** D23/213, D23/223, 226, 229-230; 239/282-283, 462
See application file for complete search history.

(56) **References Cited**

U.S. PATENT DOCUMENTS

D465,553 S * 11/2002 Singtoroj D23/229
D559,953 S * 1/2008 Bickler et al. D23/229
D564,626 S * 3/2008 Rexach D23/229

OTHER PUBLICATIONS

Kohler Co. "Taboret single-function showerhead". Model No. K-965. Kohler Co. online catalog. Copyright 2008 Kohler Co.
Kohler Co. "Pinstripe Pure Rite-Temp pressure-balancing shower faucet trim". Model No. K-T13134-3A. Kohler Co. online catalog. Copyright 2008 Kohler Co.

* cited by examiner

Primary Examiner—Robin V Webster
(74) *Attorney, Agent, or Firm*—Quarles & Brady LLP

(57) **CLAIM**

The ornamental design for a showerhead, as shown and described.

DESCRIPTION

In a preferred embodiment, the nature of this product is as a showerhead primarily useful for enabling a water spray from a ceiling or wall mounted fitting.

FIG. 1 is a top, left, front perspective view of a showerhead according to our new design;

FIG. 2 is a left side elevational view thereof, the right side elevational view thereof being a mirror image of the left side shown;

FIG. 3 is a top perspective view thereof;

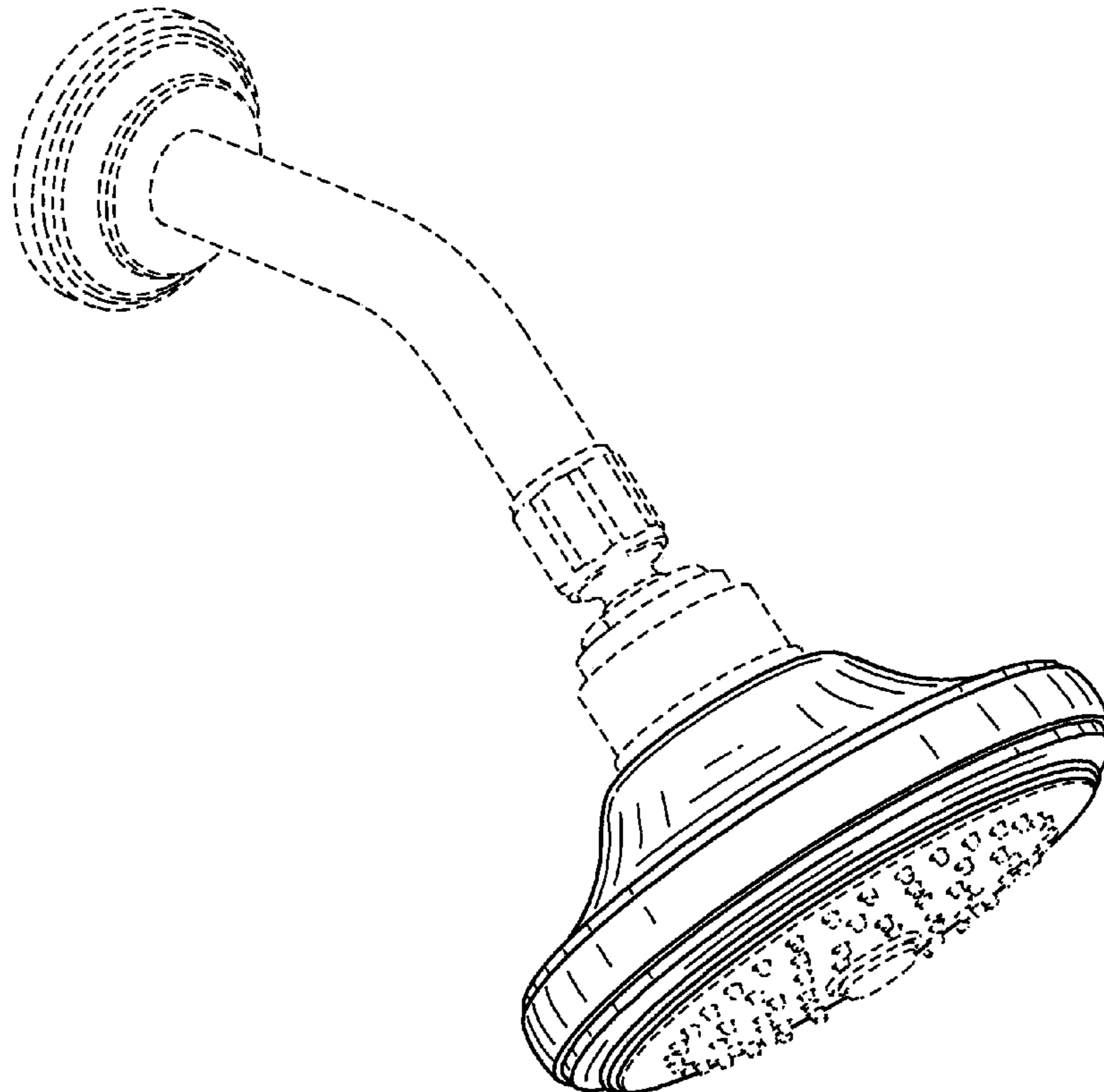
FIG. 4 is a bottom perspective view thereof;

FIG. 5 is a front perspective view thereof; and,

FIG. 6 is a rear perspective view thereof.

The broken line representations in the figures are for the purpose of illustration only, and form no part of the claimed design.

1 Claim, 4 Drawing Sheets



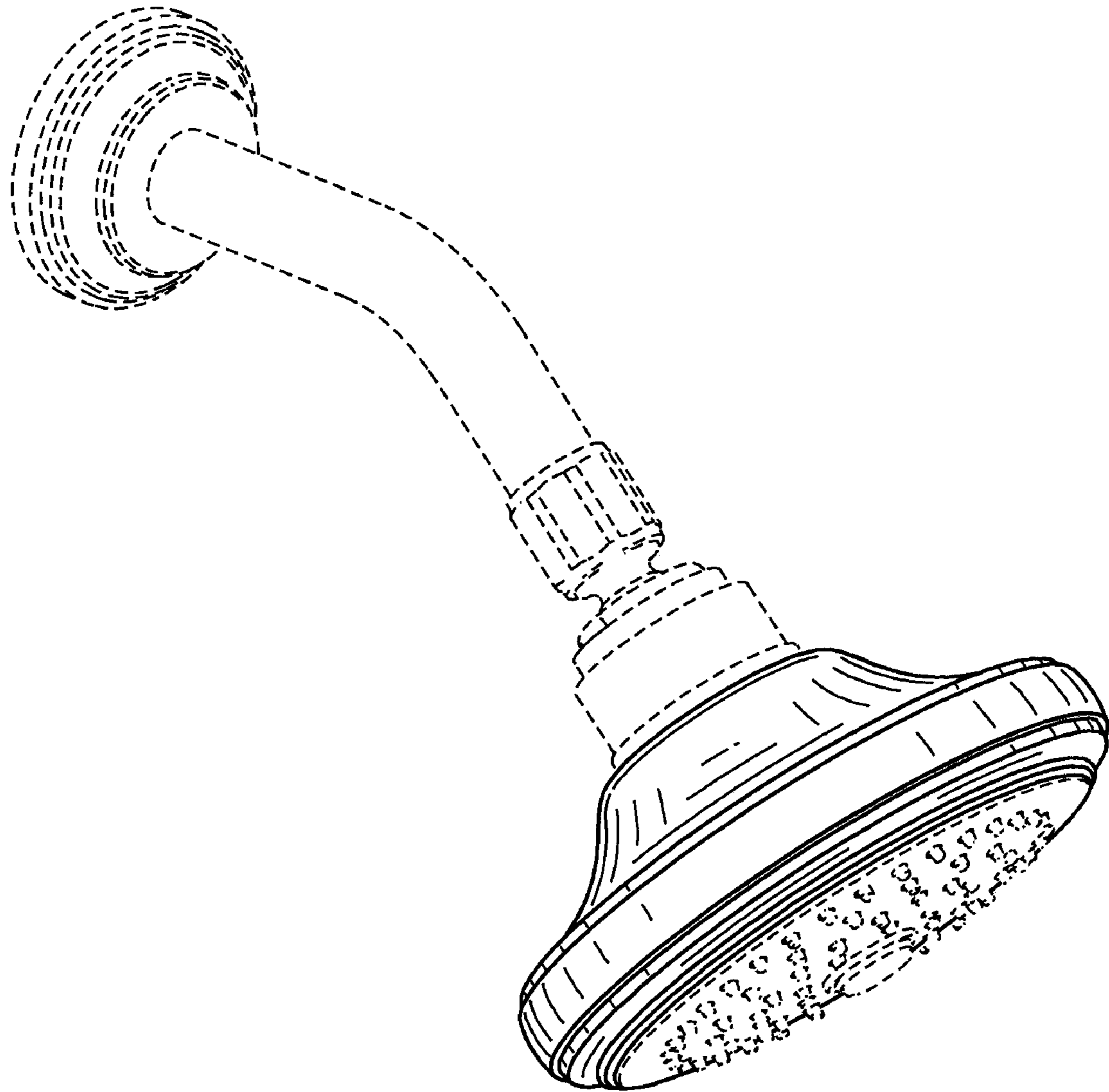


FIG. 1

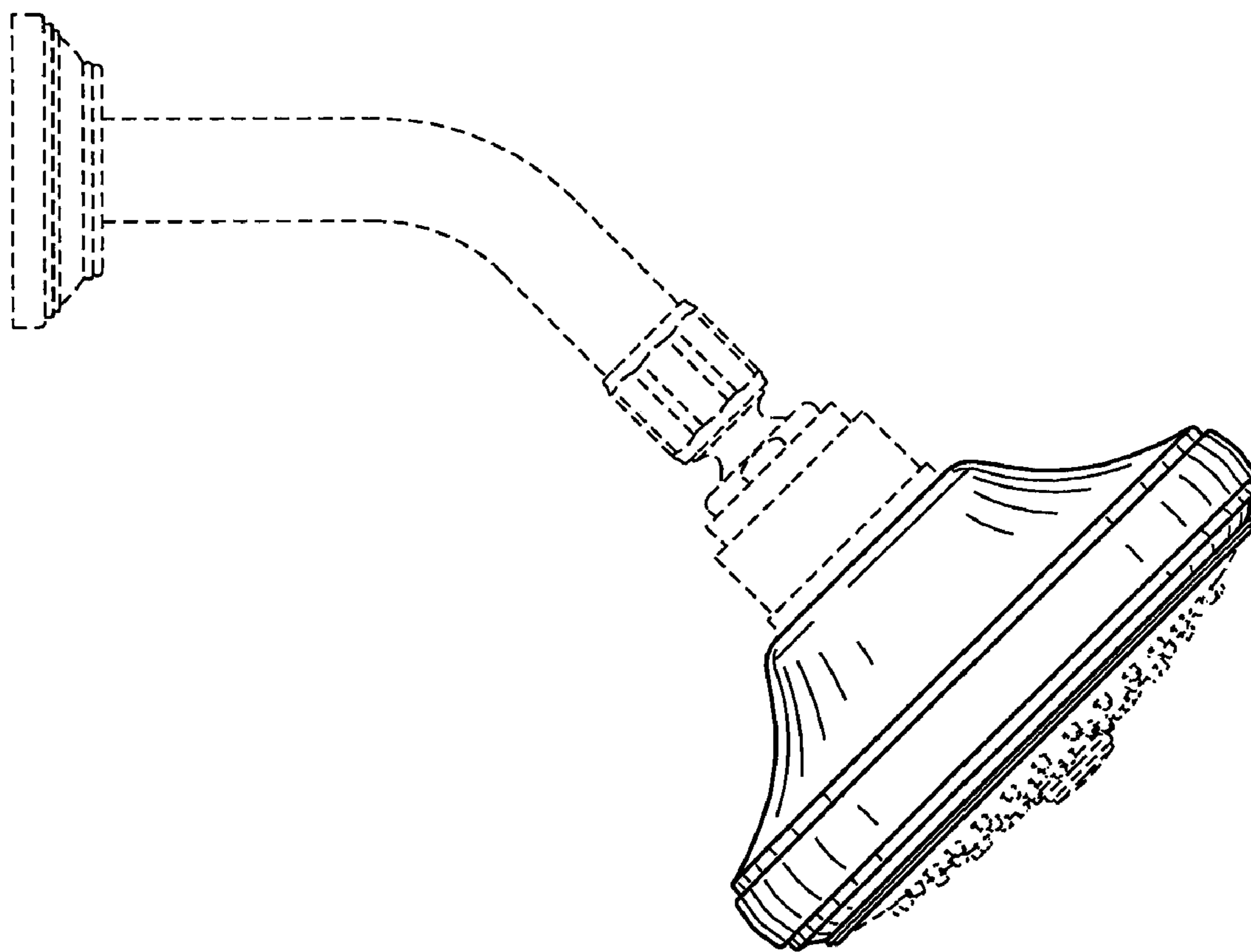


FIG. 2

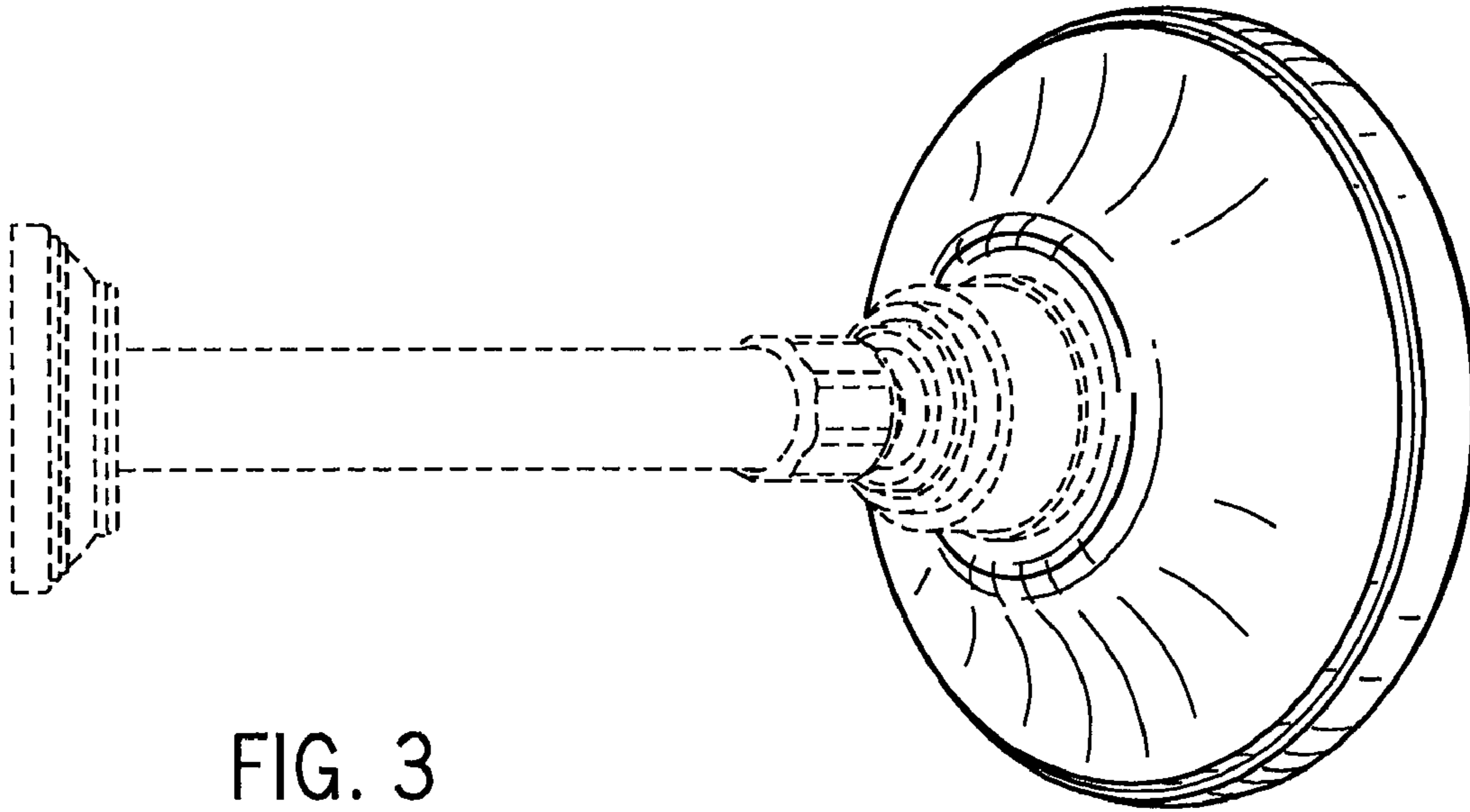


FIG. 3

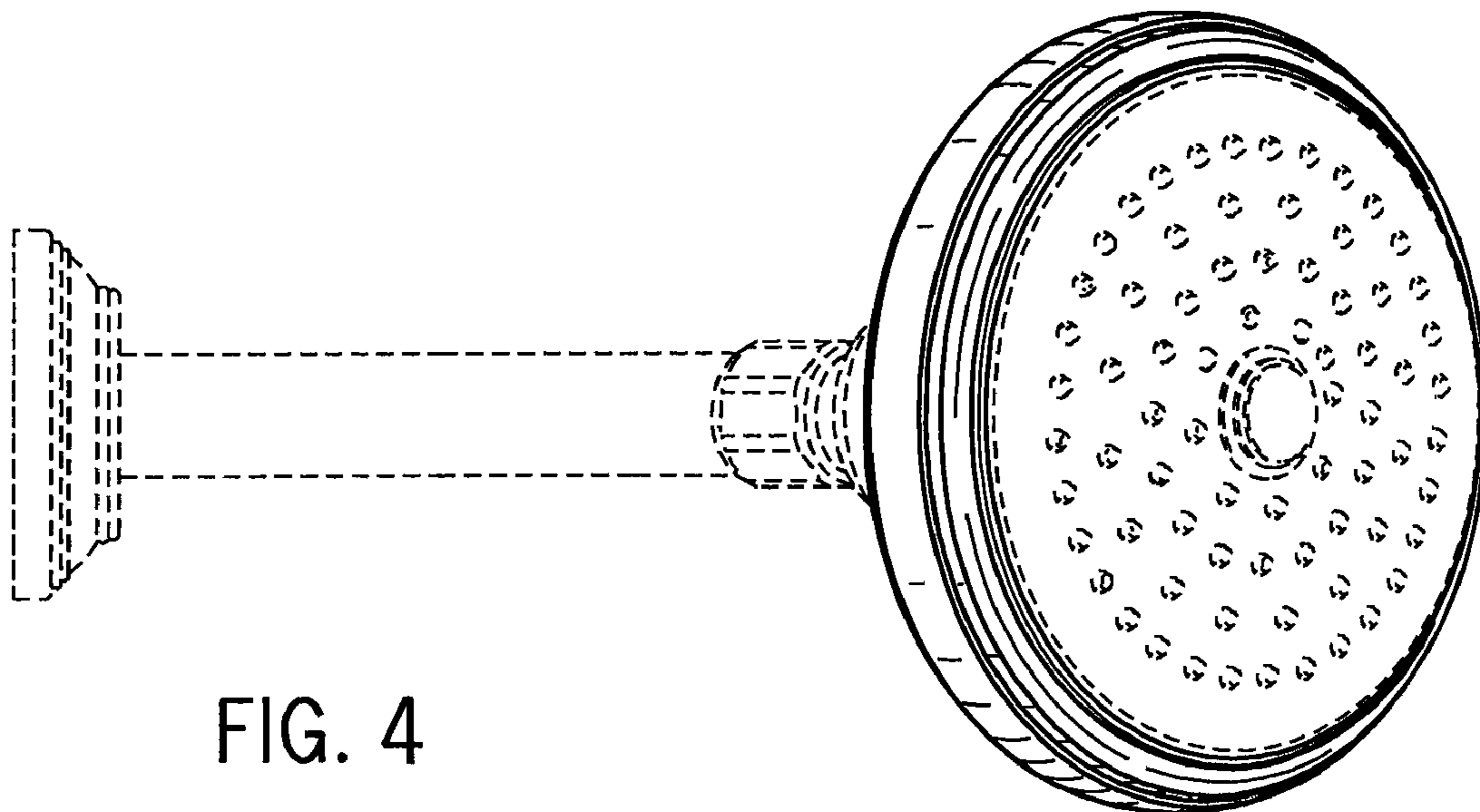


FIG. 4

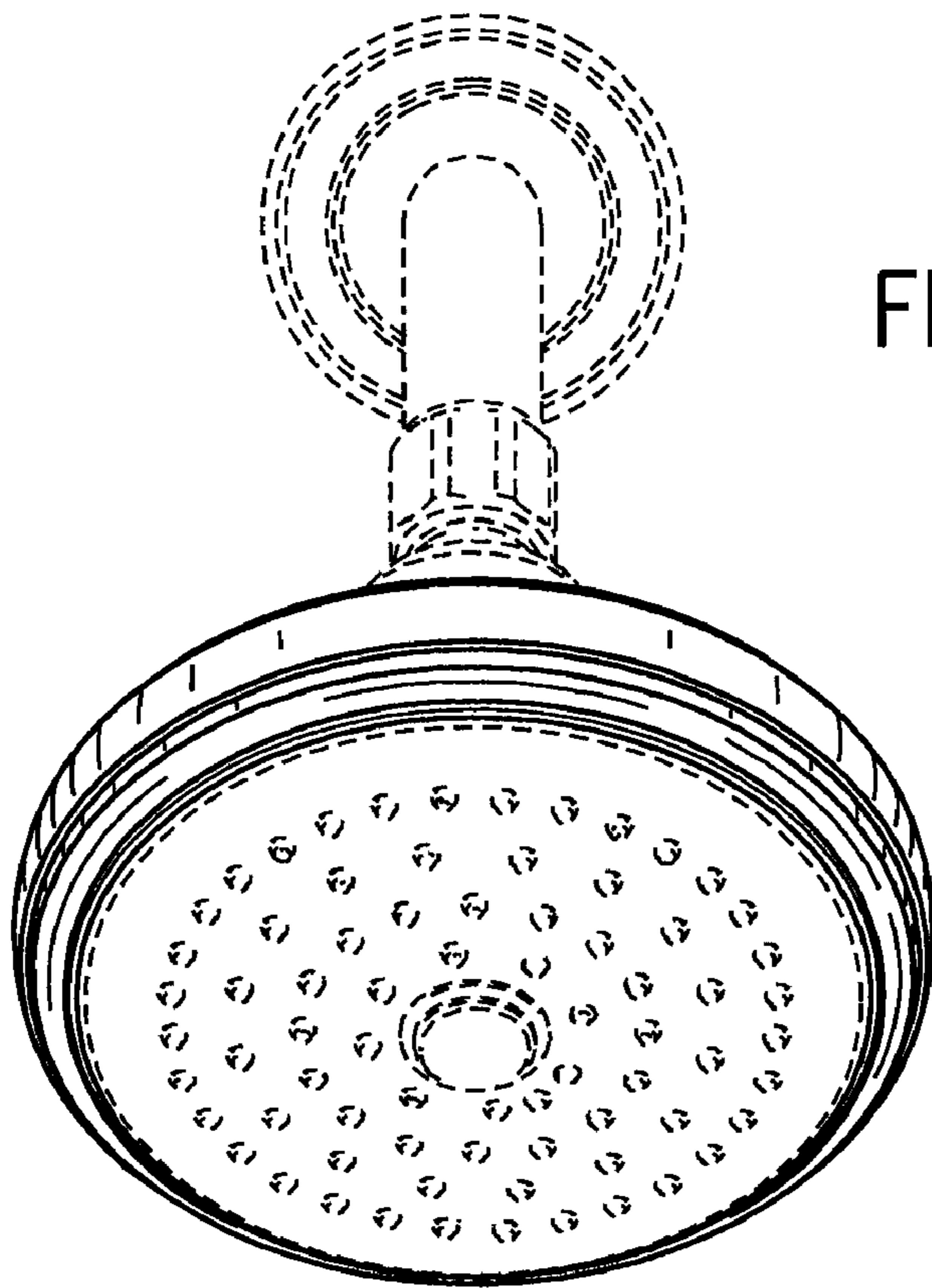


FIG. 5

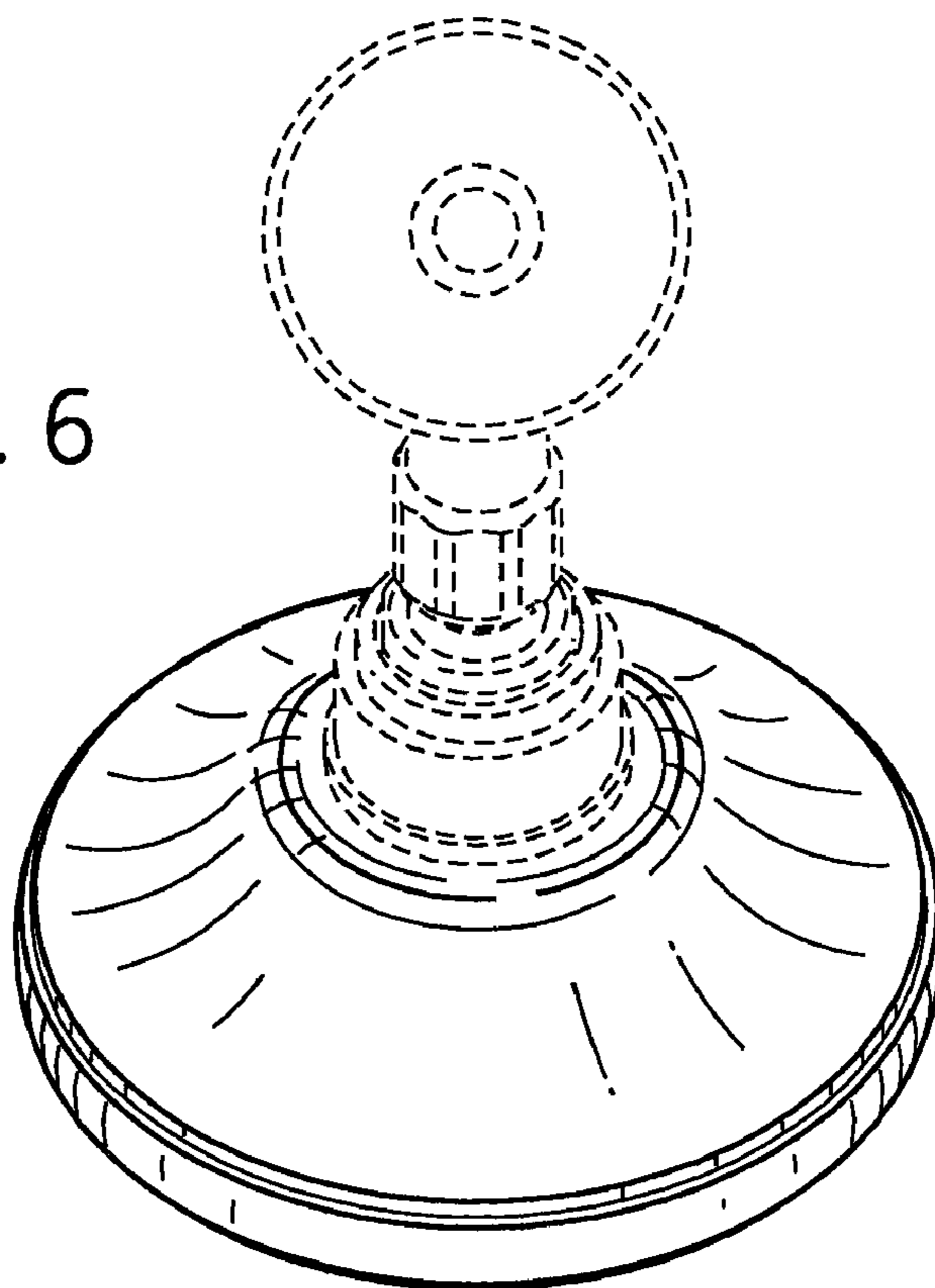


FIG. 6