

US00D590912S

(12) **United States Design Patent**  
**Woolman et al.**

(10) **Patent No.:** **US D590,912 S**

(45) **Date of Patent:** **\*\* Apr. 21, 2009**

(54) **SANITIZING DEVICE**

(76) Inventors: **Daniel Woolman**, 3 Beaulieu House, 93 Holders Hill Road, Hendon, London (GB) NW4 1 JY; **Stuart Woolman**, 2710 Madison Oaks Ct., Charlotte, NC (US) 26226

(\*\*) Term: **14 Years**

(21) Appl. No.: **29/306,723**

(22) Filed: **Apr. 15, 2008**

(30) **Foreign Application Priority Data**

Oct. 16, 2007 (GB) ..... 4004699

(51) **LOC (9) Cl.** ..... **23-01**

(52) **U.S. Cl.** ..... **D23/208**

(58) **Field of Classification Search** ..... D23/207, D23/208, 209; 4/223, 225.1, 227.1, 231  
See application file for complete search history.

(56) **References Cited**

**U.S. PATENT DOCUMENTS**

D307,624 S \* 5/1990 Wefler ..... D23/208

D308,409 S \* 6/1990 Hoyt et al. .... D23/208  
D355,474 S \* 2/1995 Kearnes et al. .... D23/208  
D387,848 S \* 12/1997 Thompson et al. .... D23/208  
D496,711 S \* 9/2004 Conway et al. .... D23/208  
6,817,040 B2 \* 11/2004 Klinkhammer et al. .... 4/231

\* cited by examiner

*Primary Examiner*—Robin V Webster

(74) *Attorney, Agent, or Firm*—Duane Morris LLP

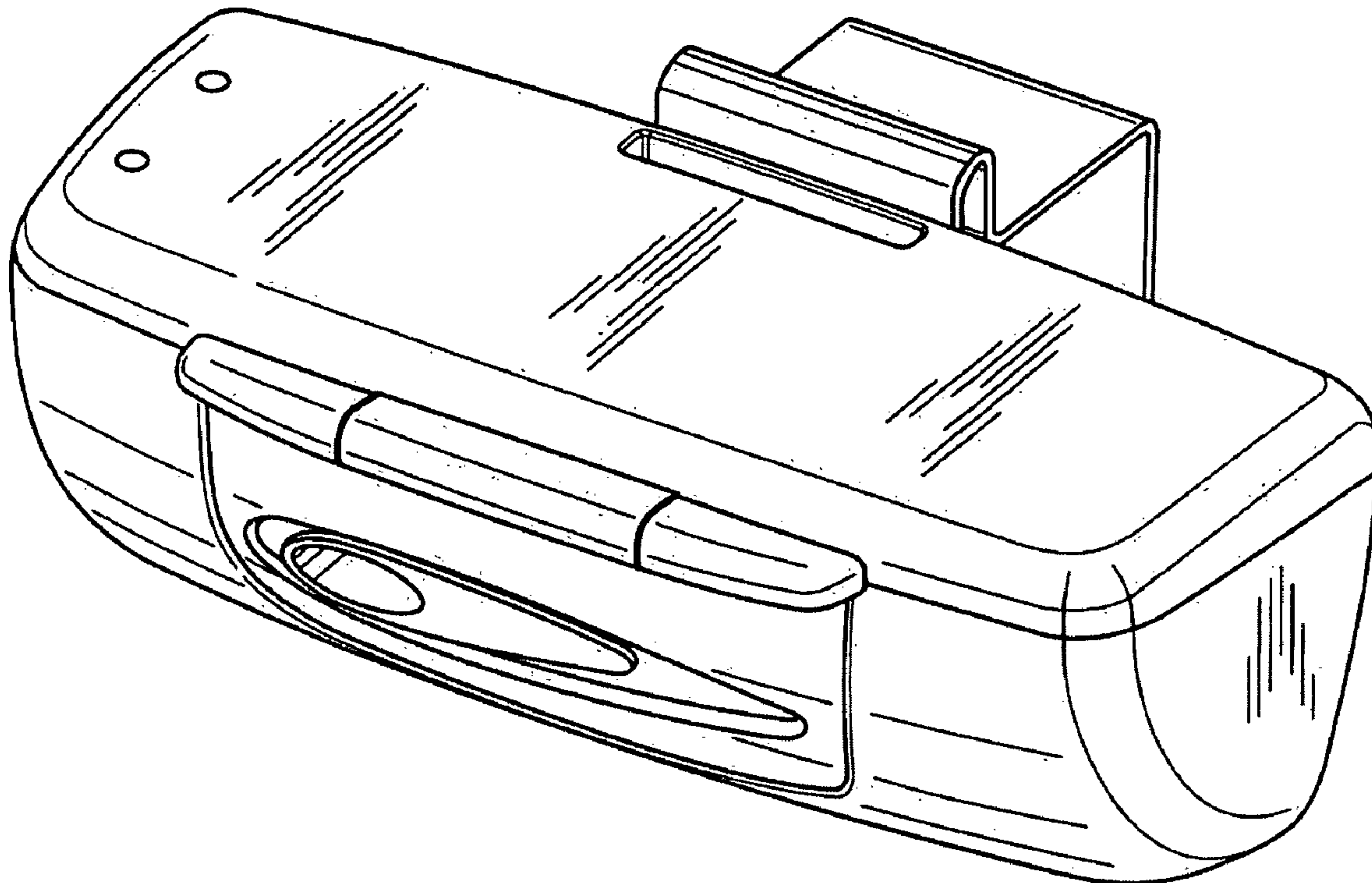
(57) **CLAIM**

The ornamental design for a sanitizing device, as shown and described.

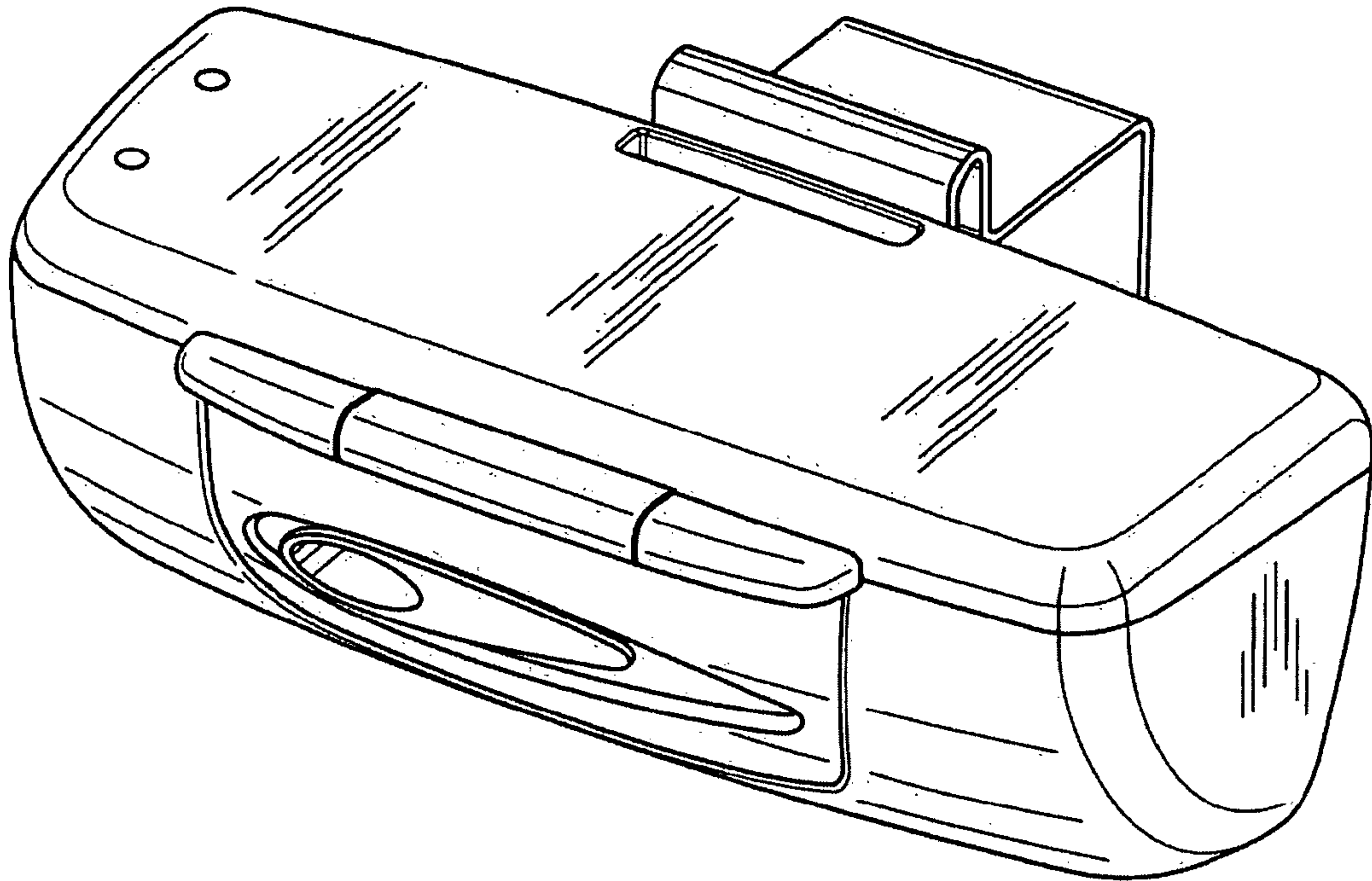
**DESCRIPTION**

FIG. 1 is a perspective view of the sanitizing device;  
FIG. 2 is a front view of the sanitizing device;  
FIG. 3 is a rear view of the sanitizing device;  
FIG. 4 is a top view of the sanitizing device;  
FIG. 5 is a bottom view of the sanitizing device;  
FIG. 6 is a view from one side of the sanitizing device; and,  
FIG. 7 is a view from another side the sanitizing device.

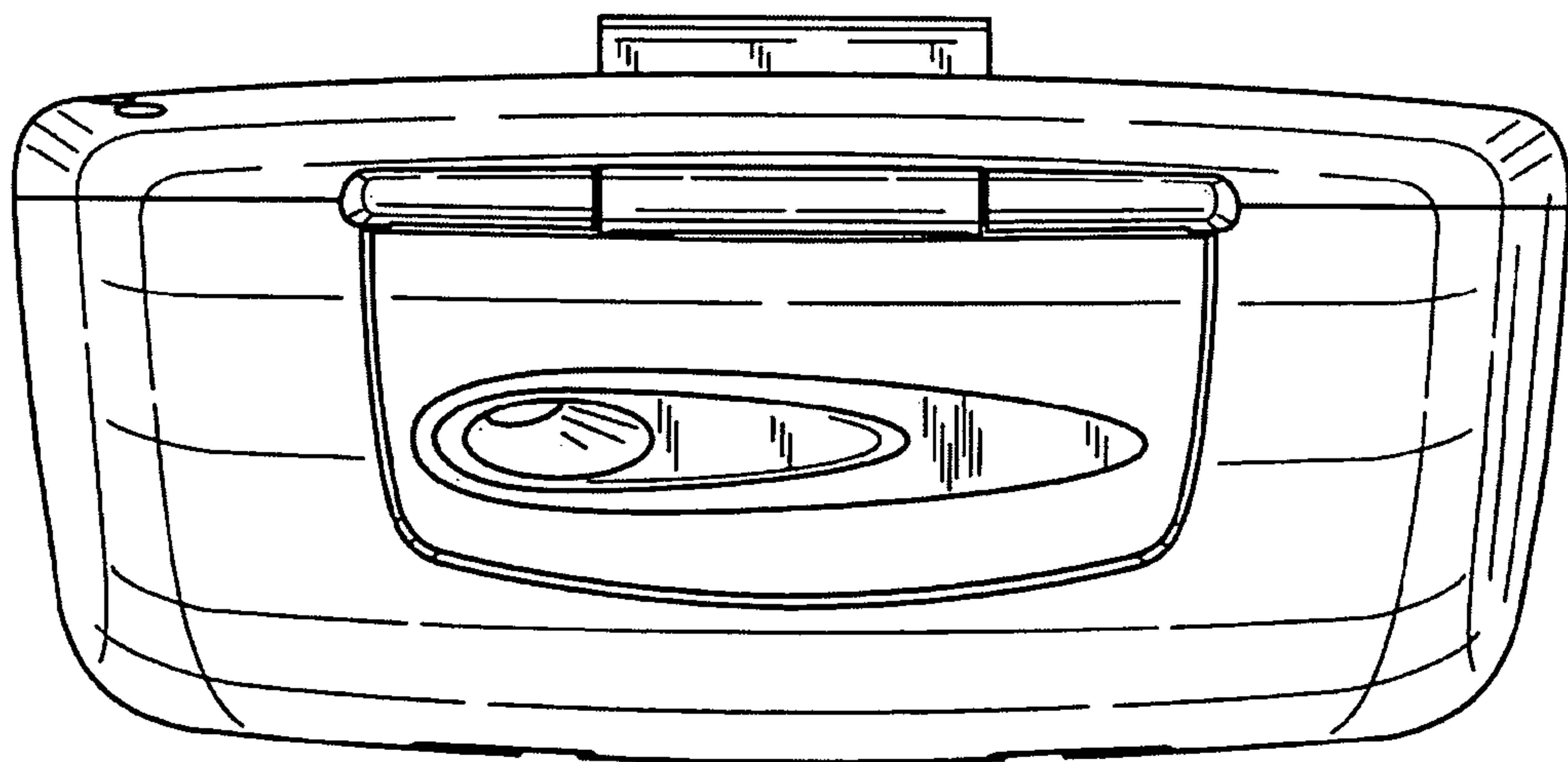
**1 Claim, 4 Drawing Sheets**



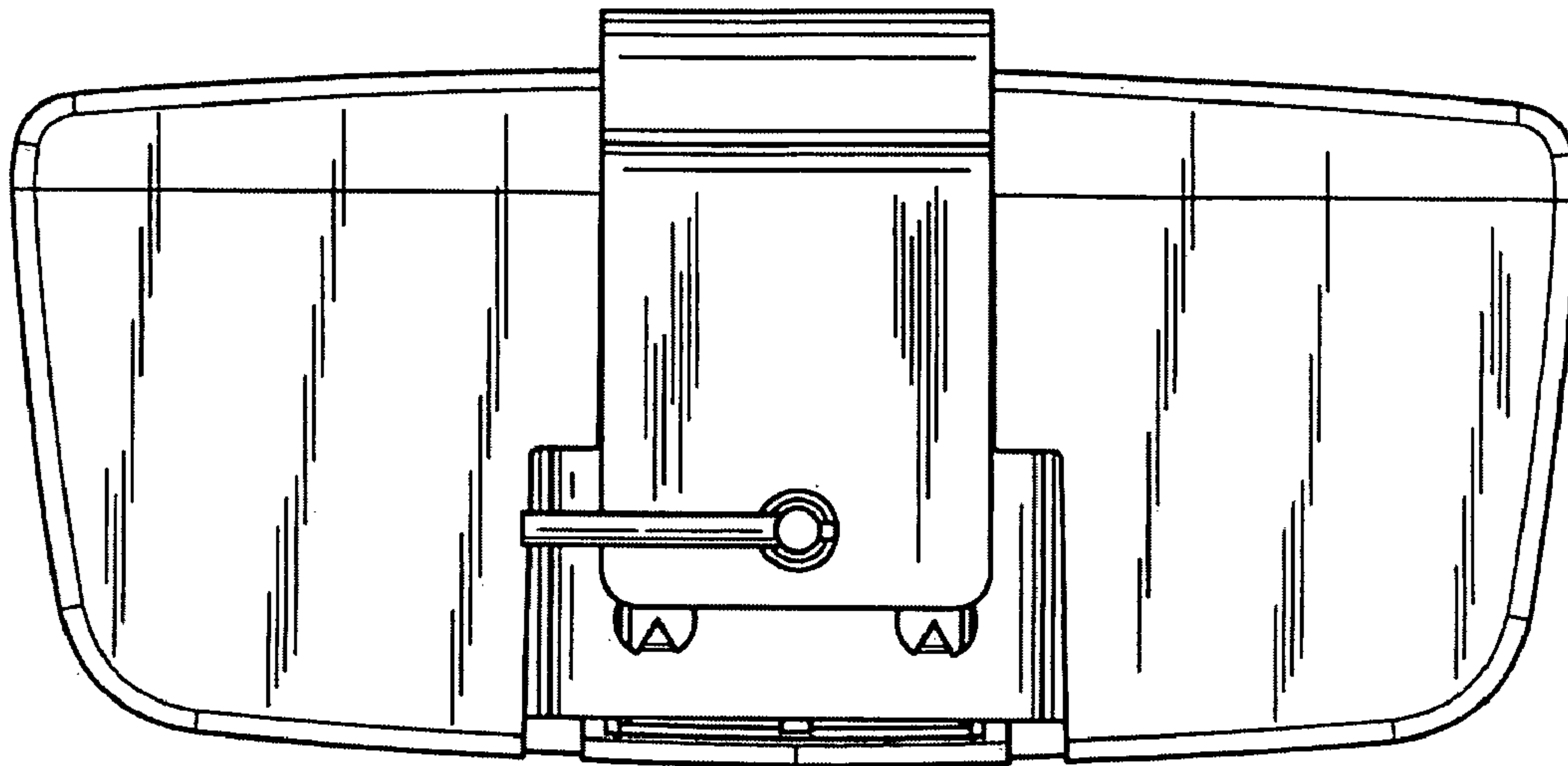
**FIG. 1**



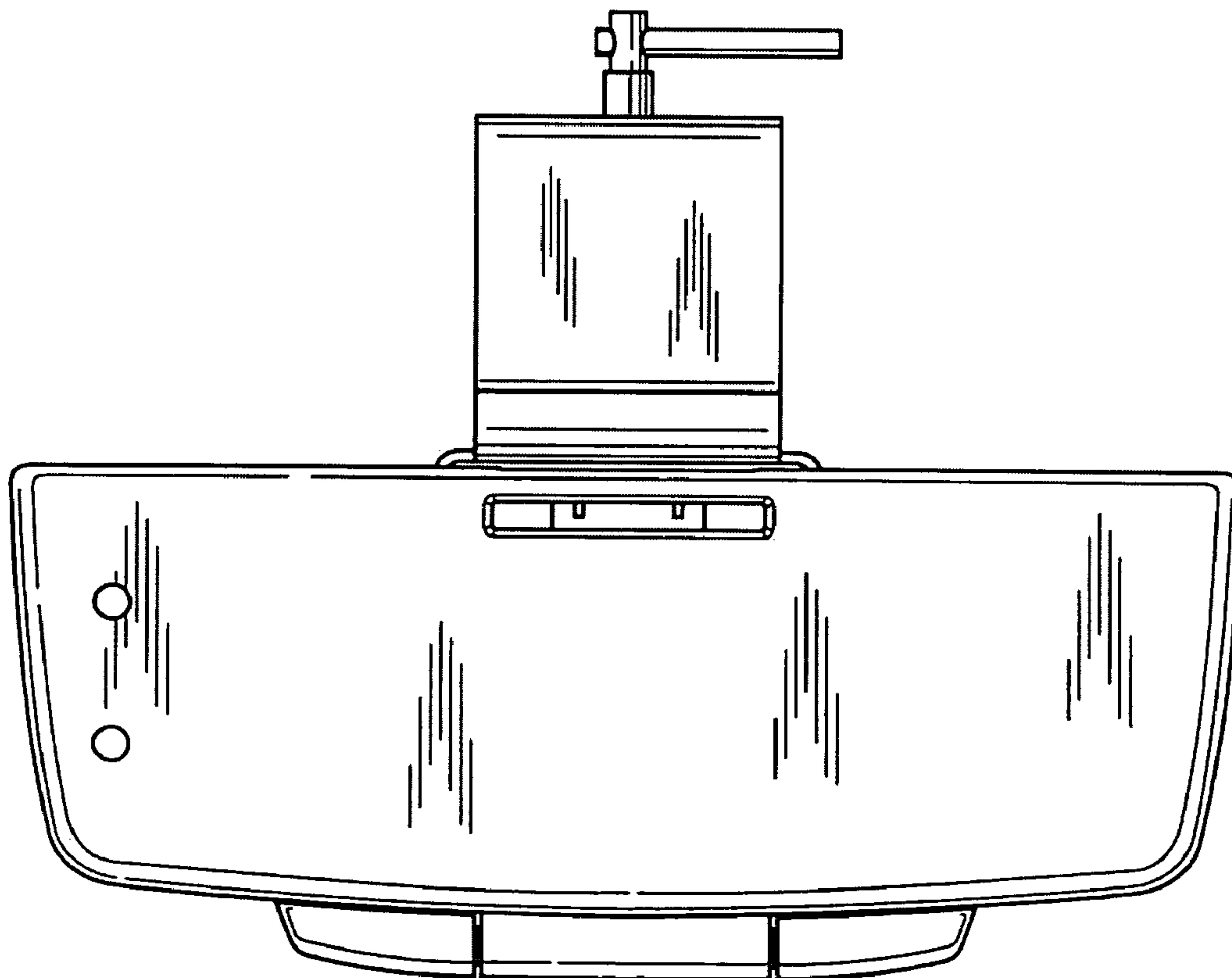
**FIG. 2**



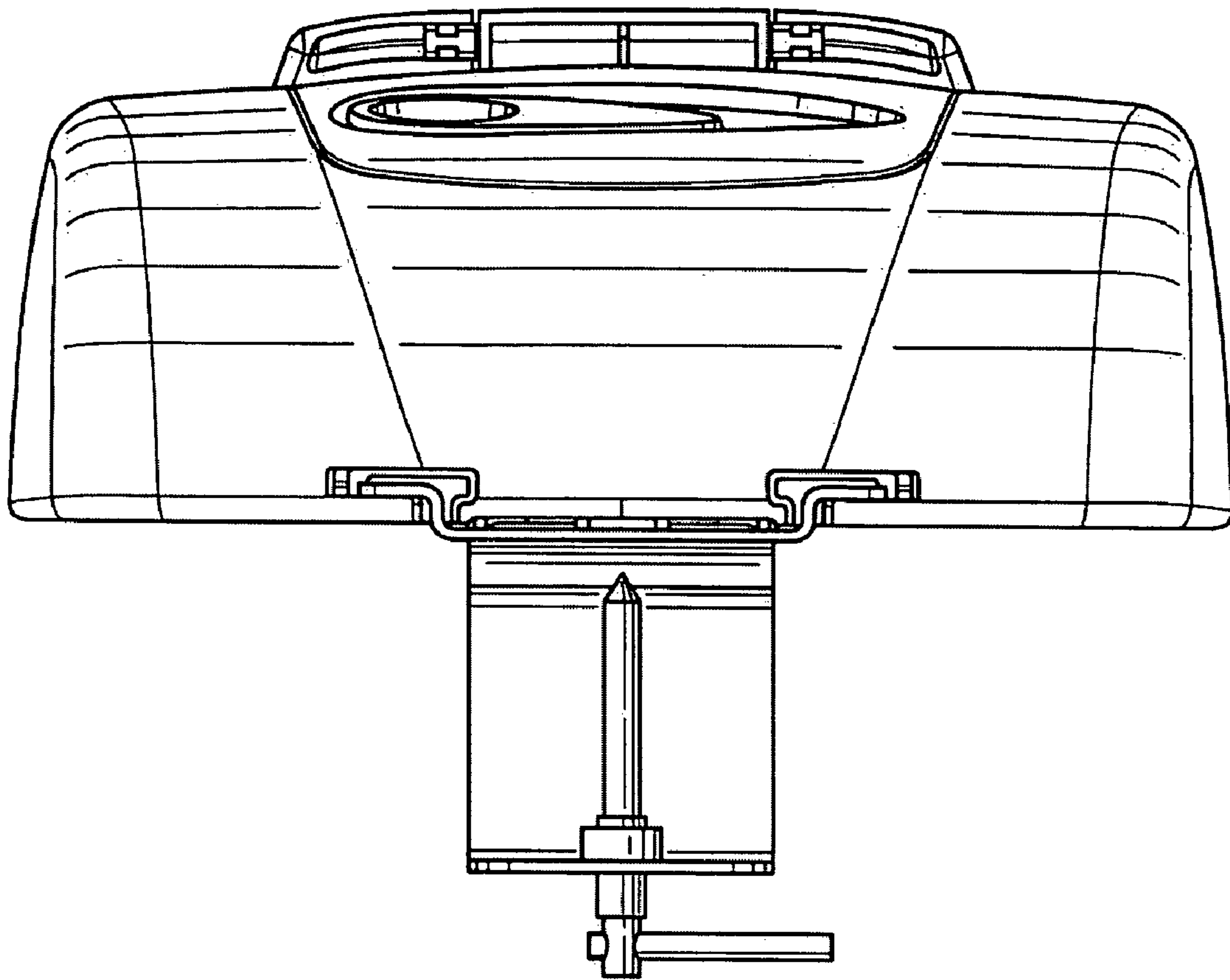
**FIG. 3**



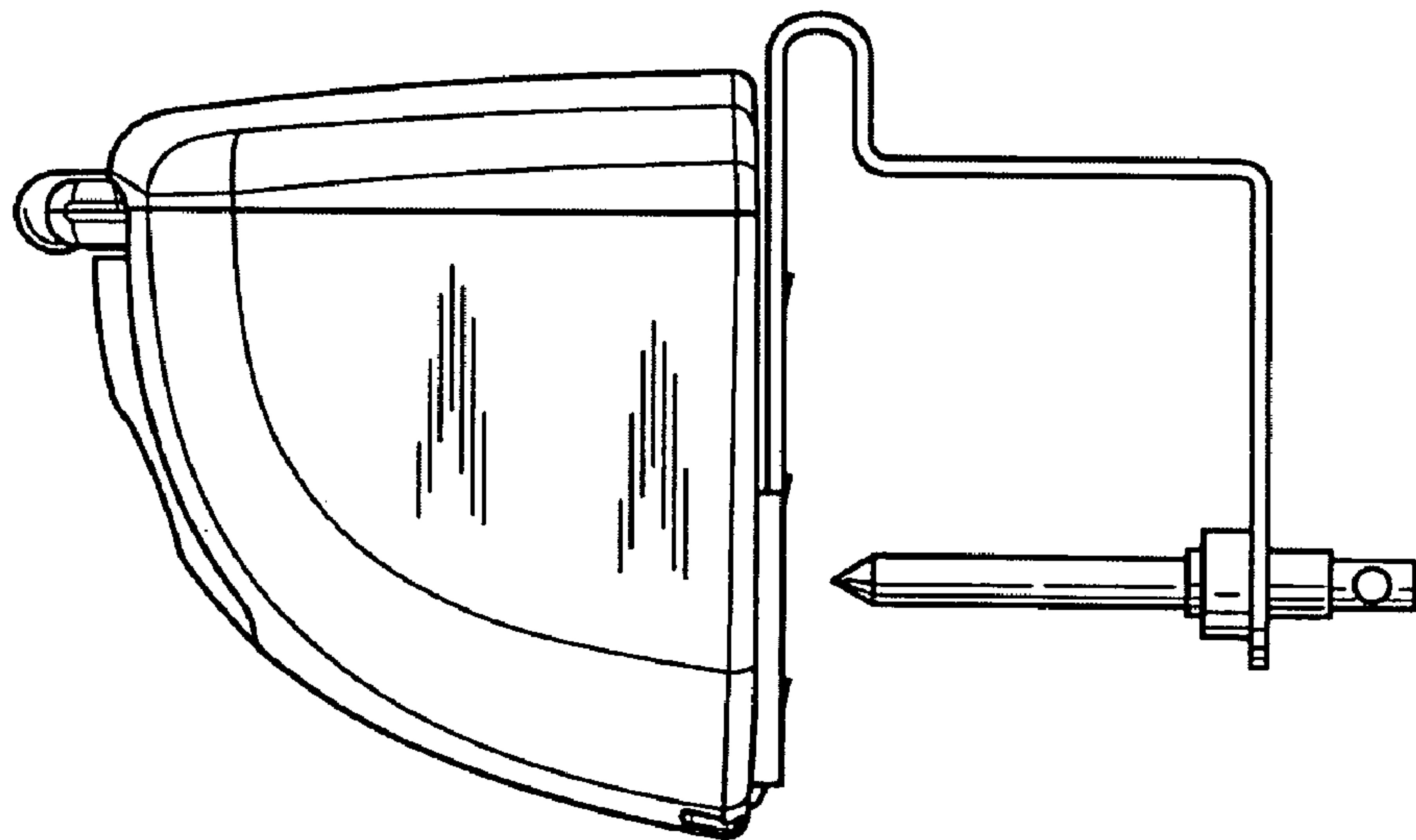
**FIG. 4**



**FIG. 5**



**FIG. 6**



**FIG. 7**

