



US00D590911S

(12) **United States Design Patent**
Mohr et al.

(10) **Patent No.:** **US D590,911 S**

(45) **Date of Patent:** **** Apr. 21, 2009**

(54) **FISHING ROD**

(76) Inventors: **Paul Von Mohr**, 4727 Yachtsmans Dr.,
Fernandina Beach, FL (US) 32034;
Dennis Wyman, 11 Sparkleberry,
Amelia Island, FL (US) 34034

(**) Term: **14 Years**

(21) Appl. No.: **29/308,896**

(22) Filed: **Jul. 15, 2008**

(51) **LOC (9) Cl.** **22-05**

(52) **U.S. Cl.** **D22/137**

(58) **Field of Classification Search** D22/137-142;
43/18.1 R, 18.5, 19, 19.2, 21, 22-23; 242/223-224,
242/311

See application file for complete search history.

(56) **References Cited**

U.S. PATENT DOCUMENTS

D407,136 S * 3/1999 Merrill et al. D22/137

D466,580 S * 12/2002 Lu D22/137

6,510,645 B2 * 1/2003 Oguri 43/20

* cited by examiner

Primary Examiner—Catherine R Oliver

(74) *Attorney, Agent, or Firm*—Cohen Pontani Lieberman &
Pavane LLP

(57) **CLAIM**

The ornamental design for a fishing rod, as shown and
described.

DESCRIPTION

FIG. 1 is a rear right side perspective view of the fishing rod;

FIG. 2 is a left side view of the fishing rod;

FIG. 3 is a right side view of the fishing rod;

FIG. 4 is a top view of the fishing rod;

FIG. 5 is a bottom view of the fishing rod;

FIG. 6 is a rear end view of the fishing rod with the safety in
the unlocked position;

FIG. 7 is a front end view of the fishing rod;

FIG. 8 is a right rear top perspective view of the fishing rod;

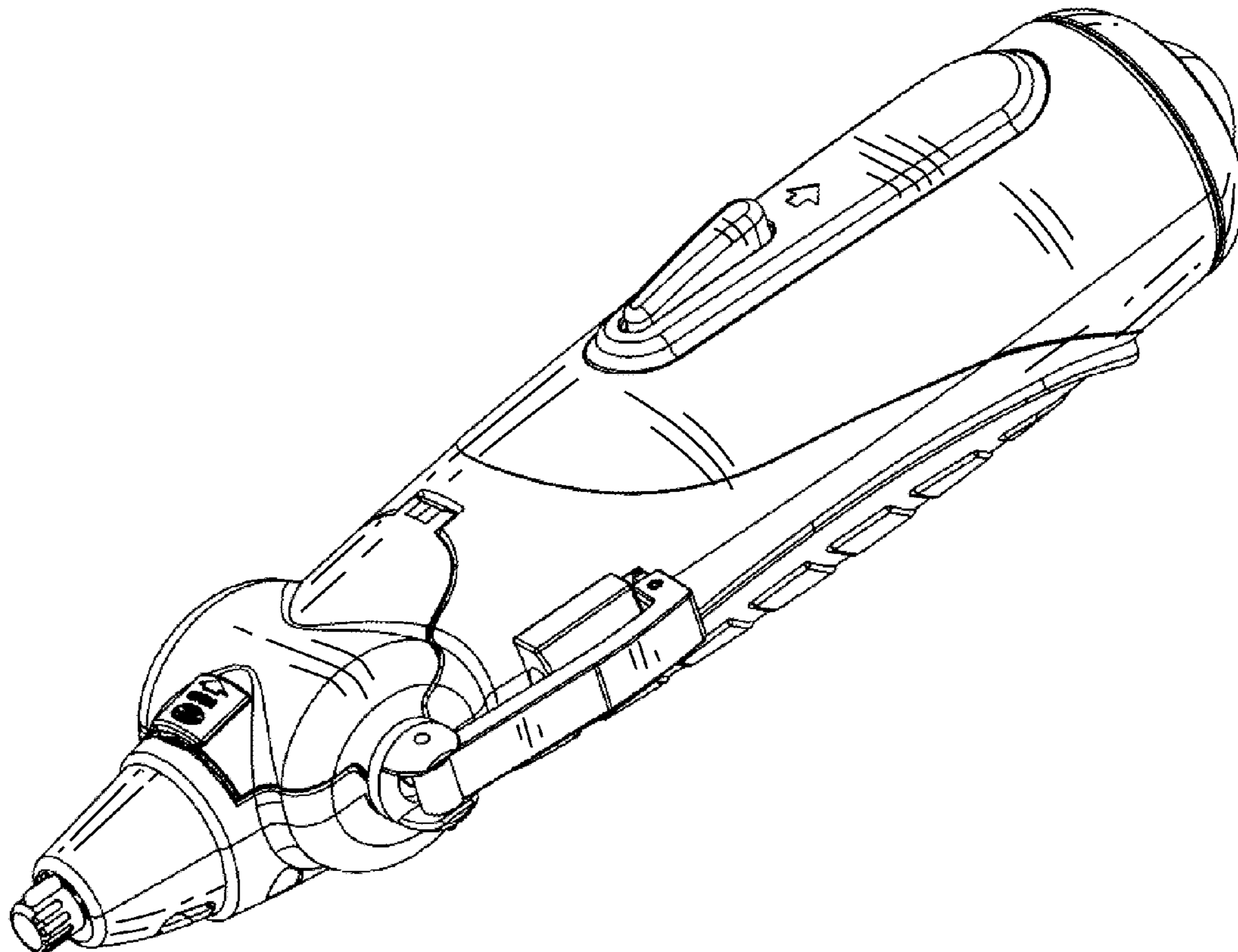
FIG. 9 is a right front top perspective view of the fishing rod;

FIG. 10 is a right front bottom perspective view of the fishing
rod;

FIG. 11 is a right side perspective view of the fishing rod; and,

FIG. 12 is a rear end view of the fishing rod with the safety in
the locked position.

1 Claim, 12 Drawing Sheets



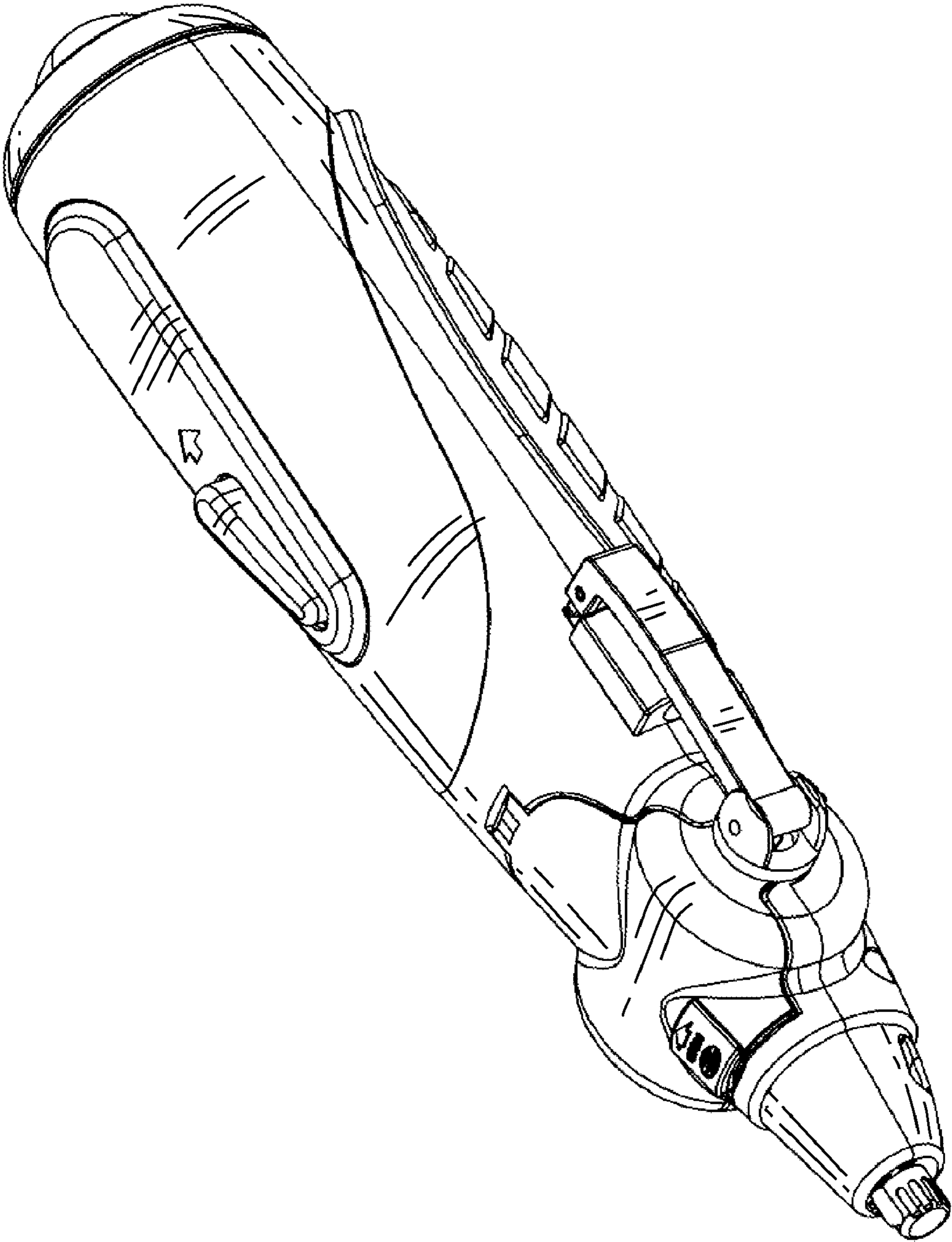


FIG. 1

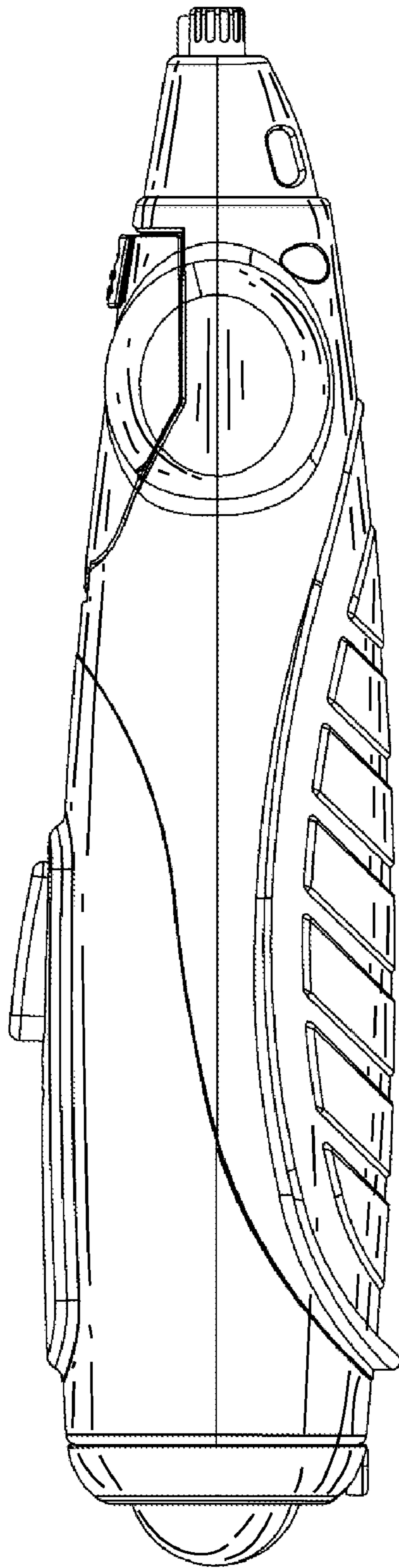


FIG. 2

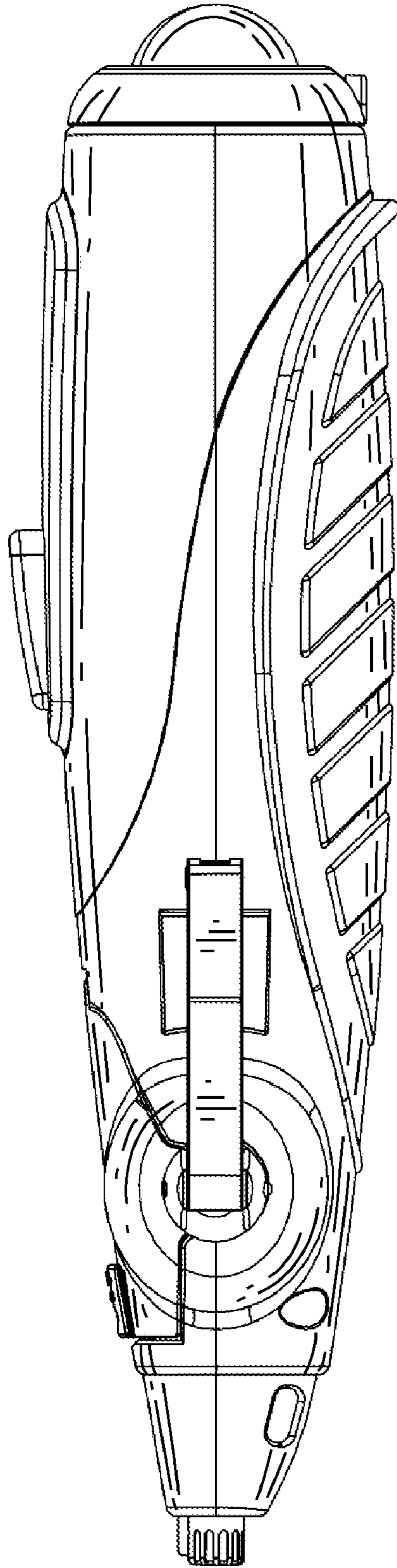


FIG. 3

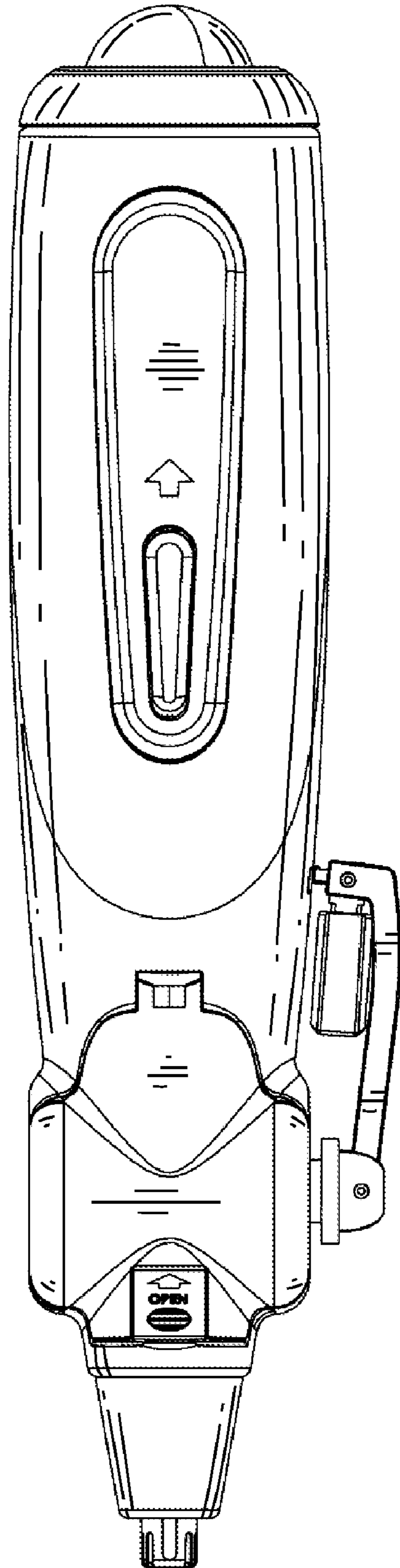


FIG. 4

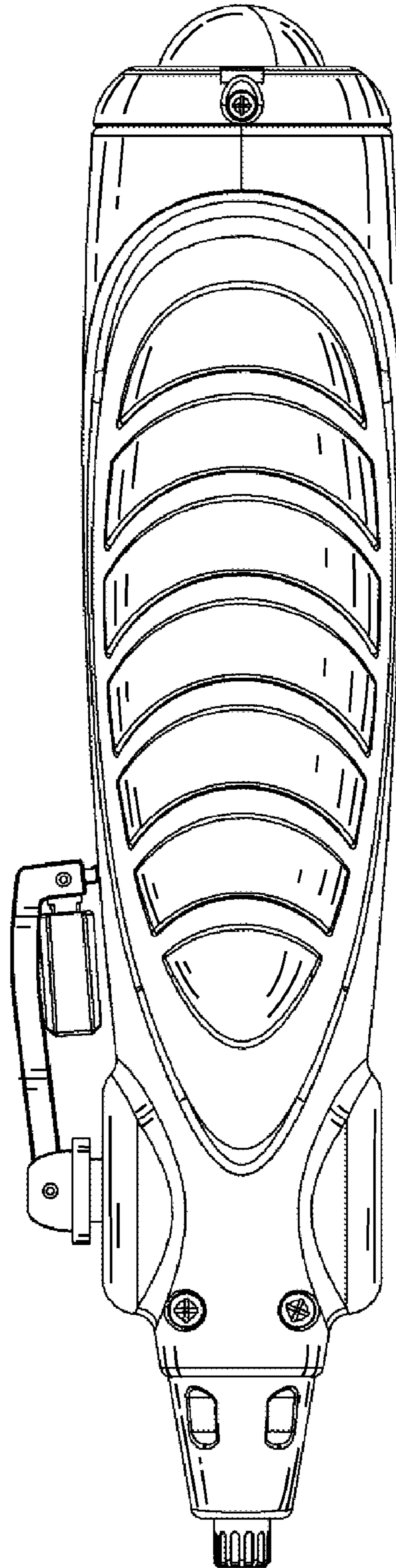


FIG. 5

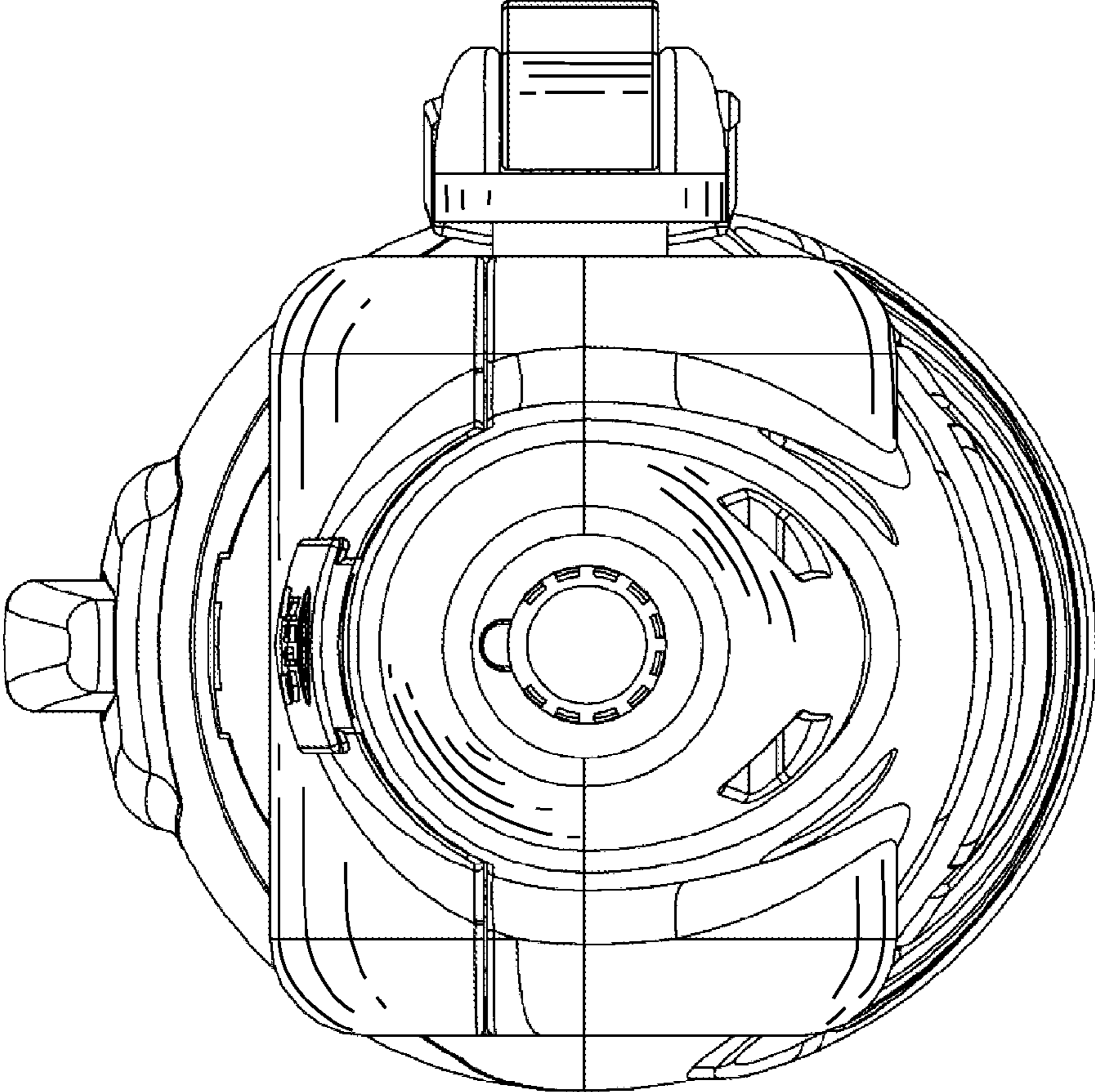


FIG. 6

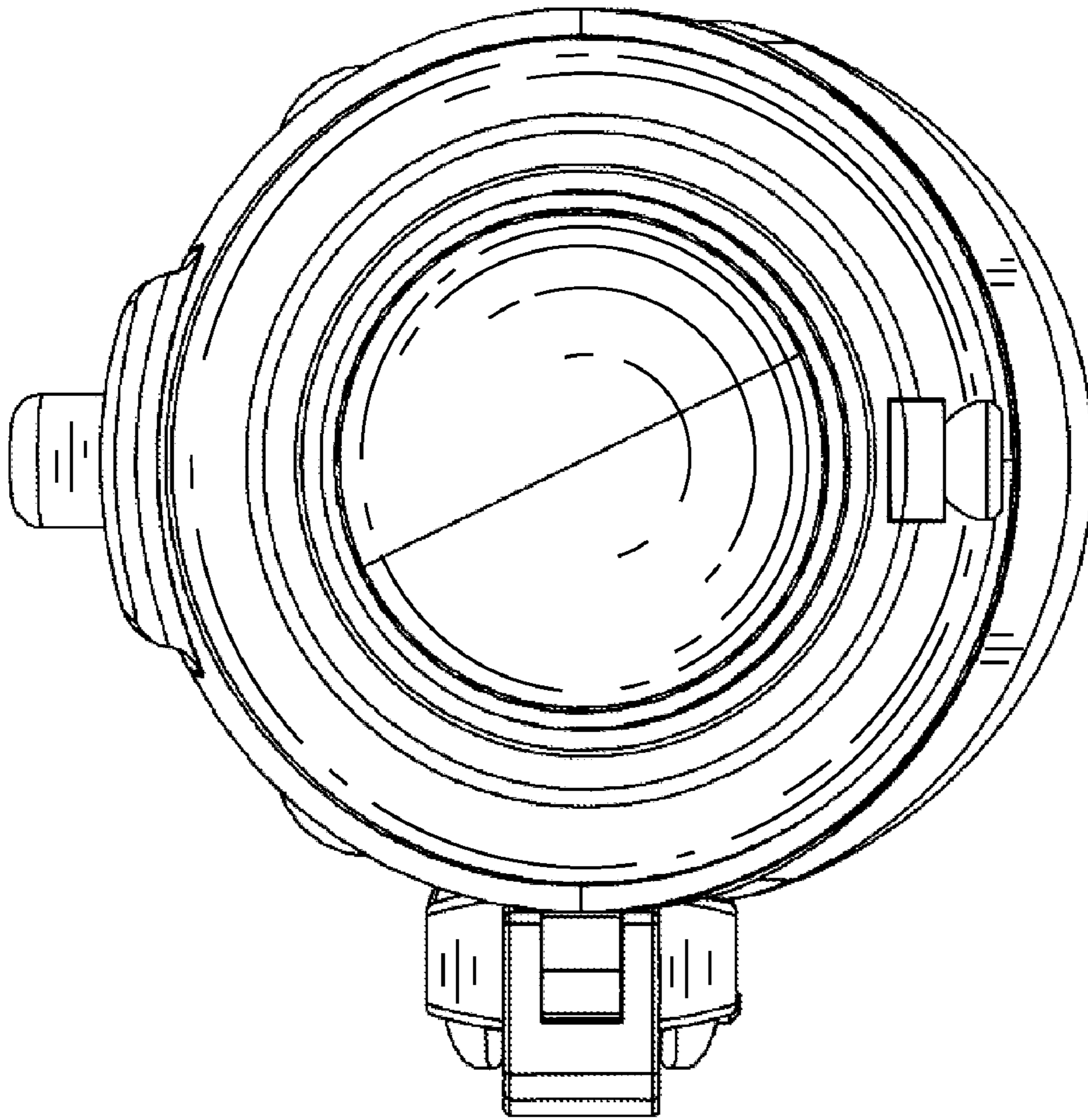


FIG. 7

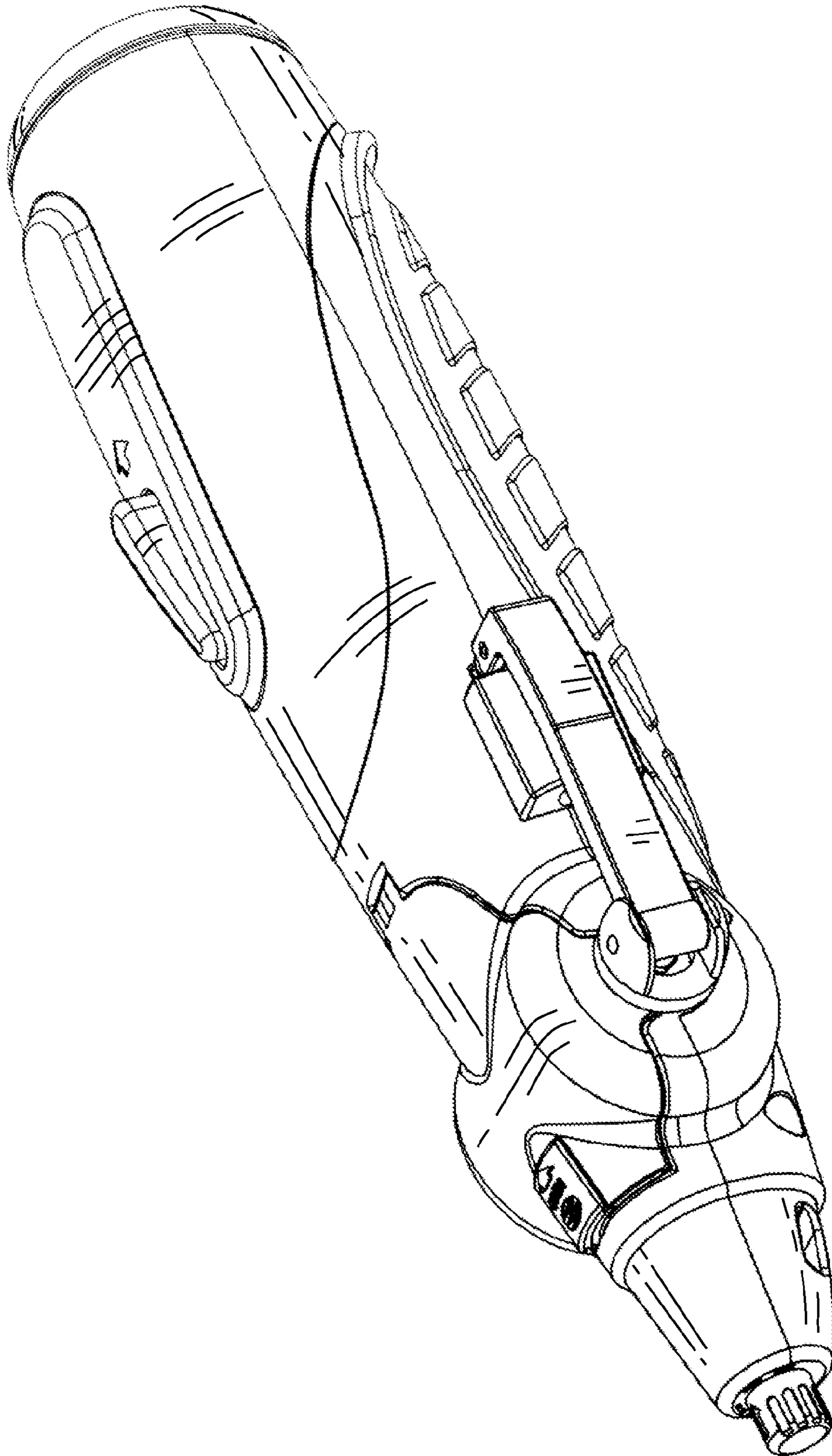


FIG. 8

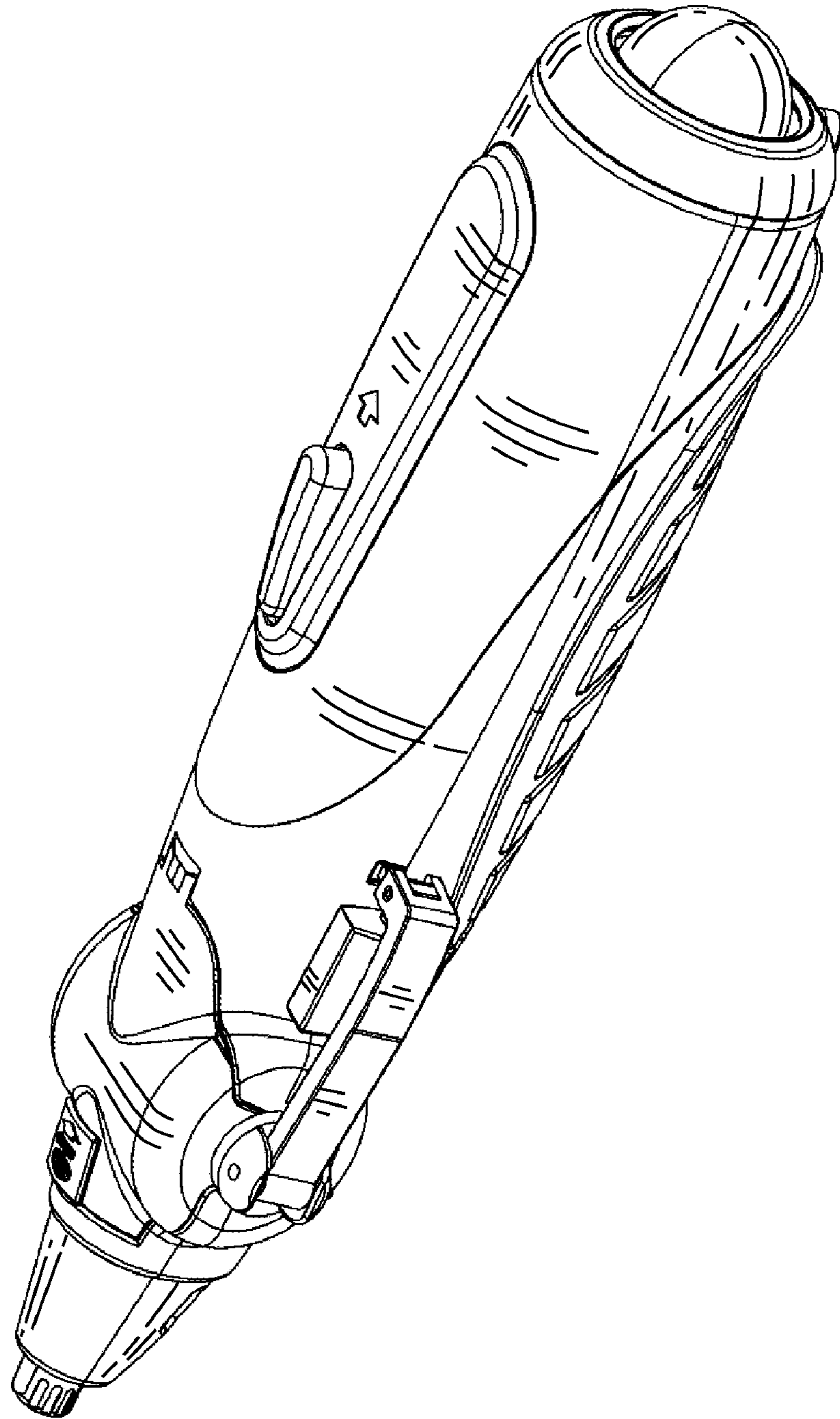


FIG. 9

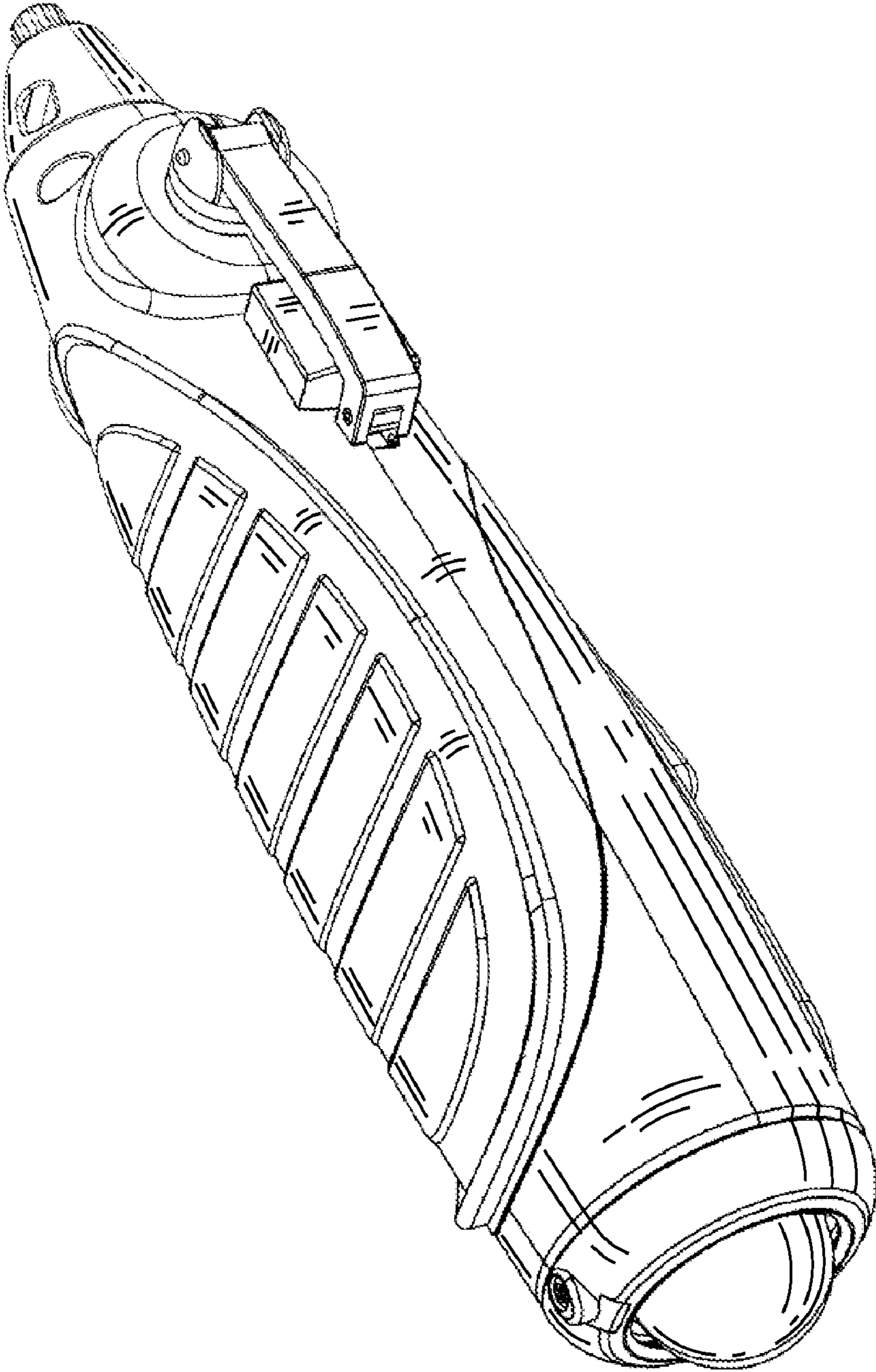


FIG. 10

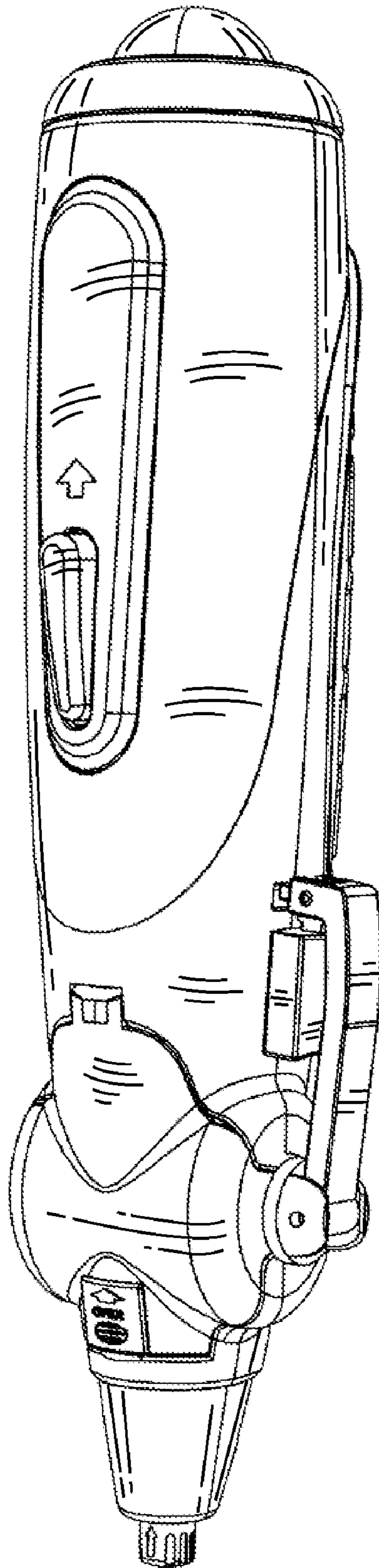


FIG. 11

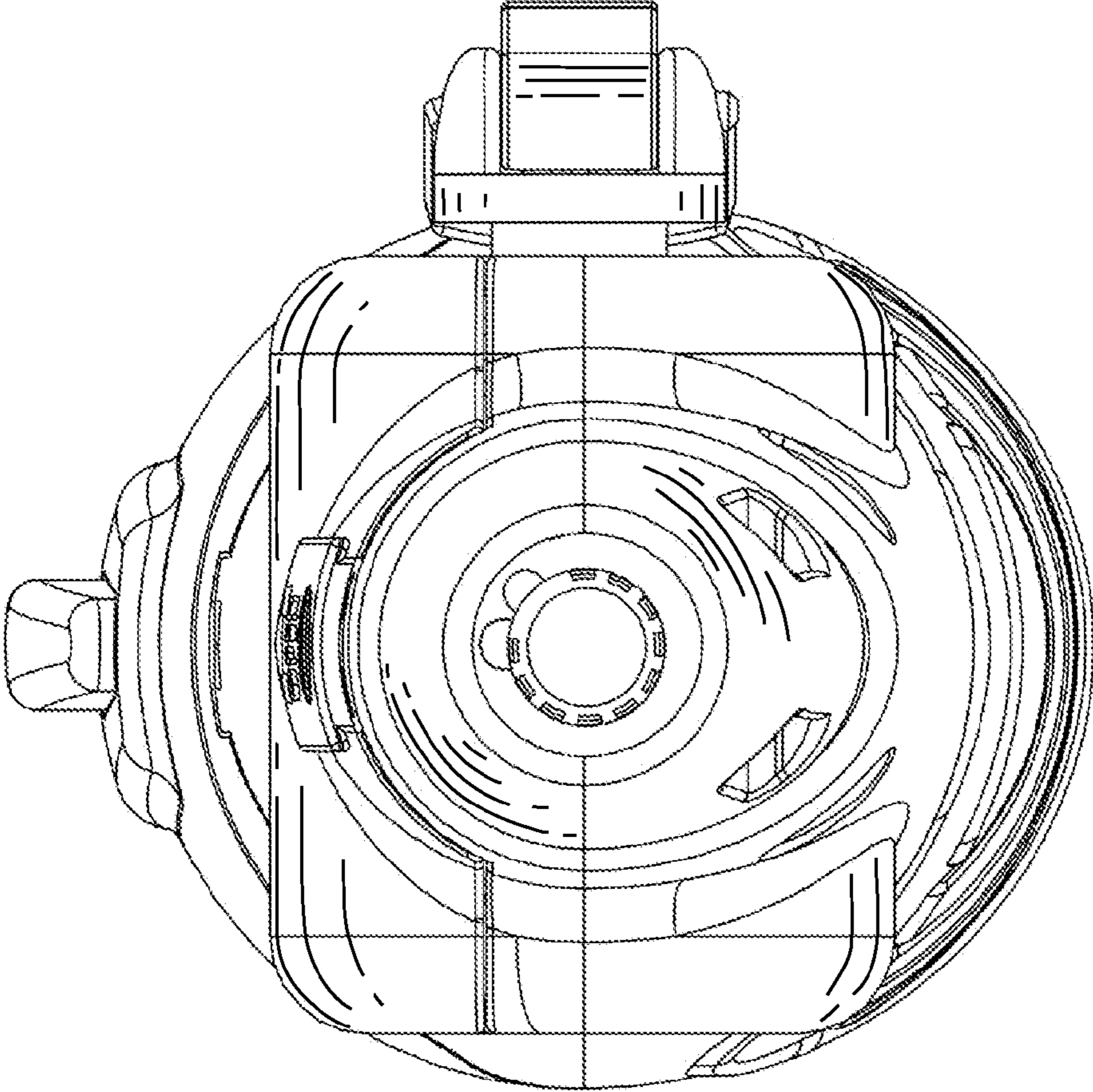


FIG. 12