



US00D590909S

(12) **United States Design Patent**
Fembleaux

(10) **Patent No.:** **US D590,909 S**

(45) **Date of Patent:** **** Apr. 21, 2009**

(54) **MOLE REPELLER**

(76) **Inventor:** **Richard Fembleaux**, 230 W. Pkwy. Unit
11, Pompton Plains, NJ (US) 07444

(**) **Term:** **14 Years**

(21) **Appl. No.:** **29/299,287**

(22) **Filed:** **Dec. 21, 2007**

(51) **LOC (9) Cl.** **22-06**

(52) **U.S. Cl.** **D22/120**

(58) **Field of Classification Search** D22/119-125,
D22/100, 112; 43/1, 121, 124, 131-132;
367/139; 119/719; 116/22 A

See application file for complete search history.

(56) **References Cited**

U.S. PATENT DOCUMENTS

D270,174 S * 8/1983 Gaines D22/119
D324,558 S * 3/1992 Weiser et al. D22/120
D329,270 S * 9/1992 Der-Jinn D22/120
6,134,827 A * 10/2000 Jan 43/124

6,157,594 A * 12/2000 Jan 367/139
D438,930 S * 3/2001 Schmacker et al. D22/112
D447,210 S * 8/2001 Betzen D22/120

* cited by examiner

Primary Examiner—Cathrine R Oliver

(57) **CLAIM**

I claim the ornamental design for a mole repeller, as shown and described.

DESCRIPTION

FIG. 1 is a top perspective view of the new ornamental mole repeller of the present invention;

FIG. 2 is a bottom perspective view thereof;

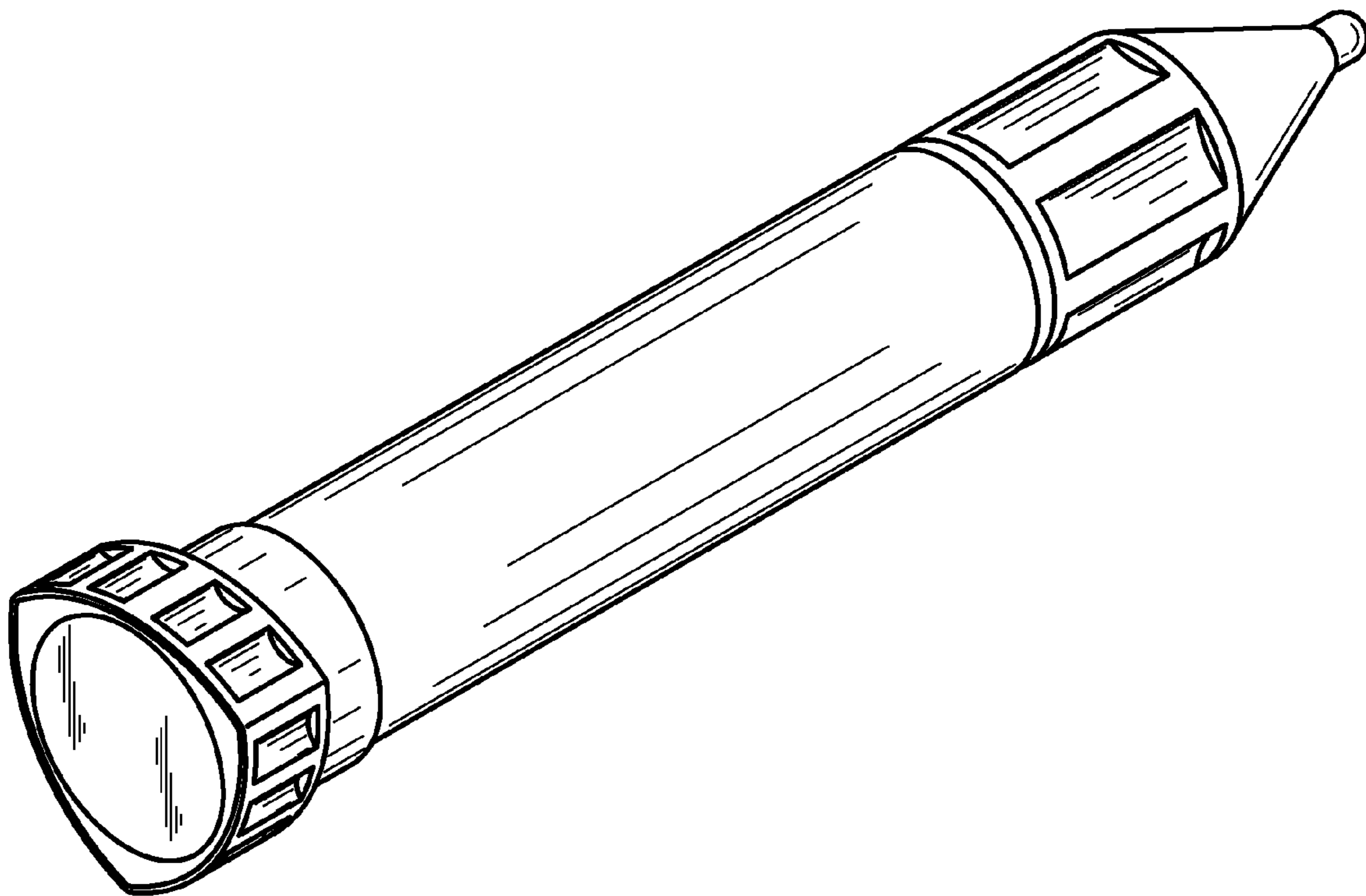
FIG. 3 is a left side elevation view thereof;

FIG. 4 is a right side elevation view thereof;

FIG. 5 is a bottom plan view; and,

FIG. 6 is a top plan view.

1 Claim, 3 Drawing Sheets



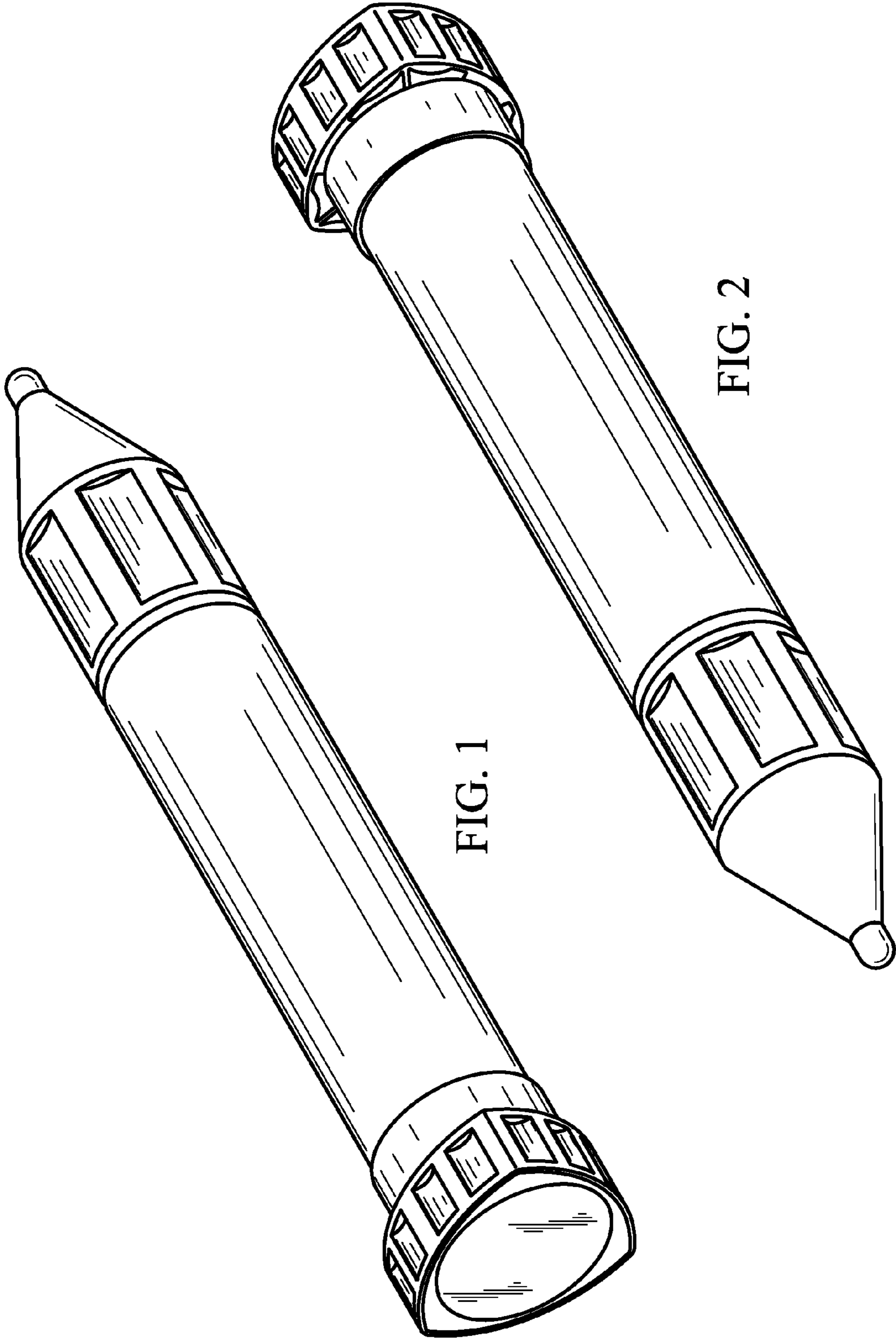


FIG. 1

FIG. 2

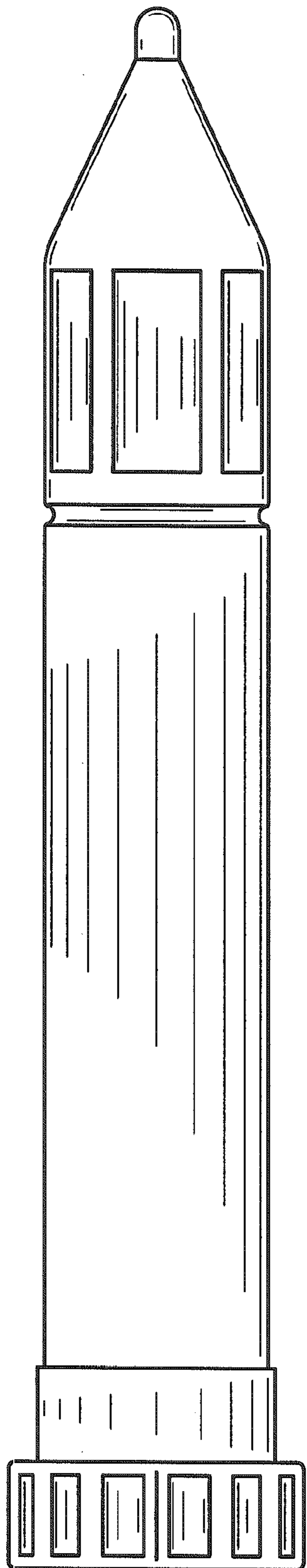


FIG. 3

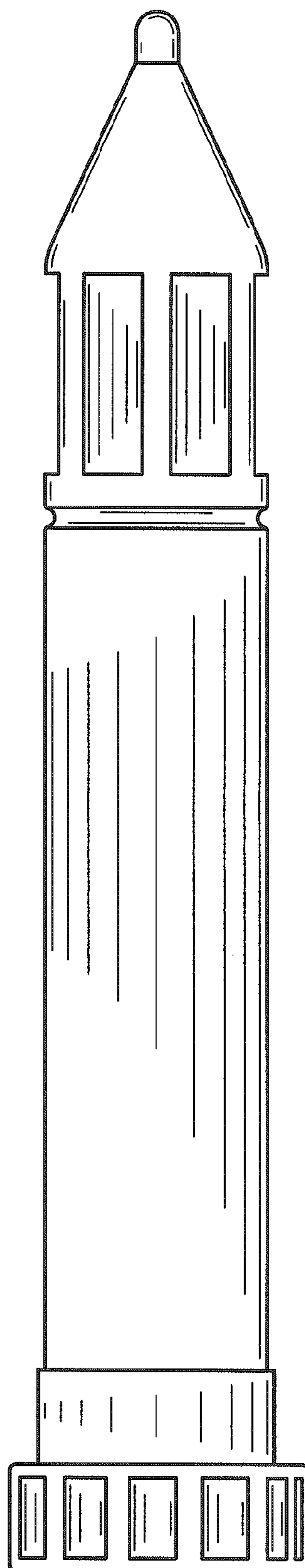


FIG. 4

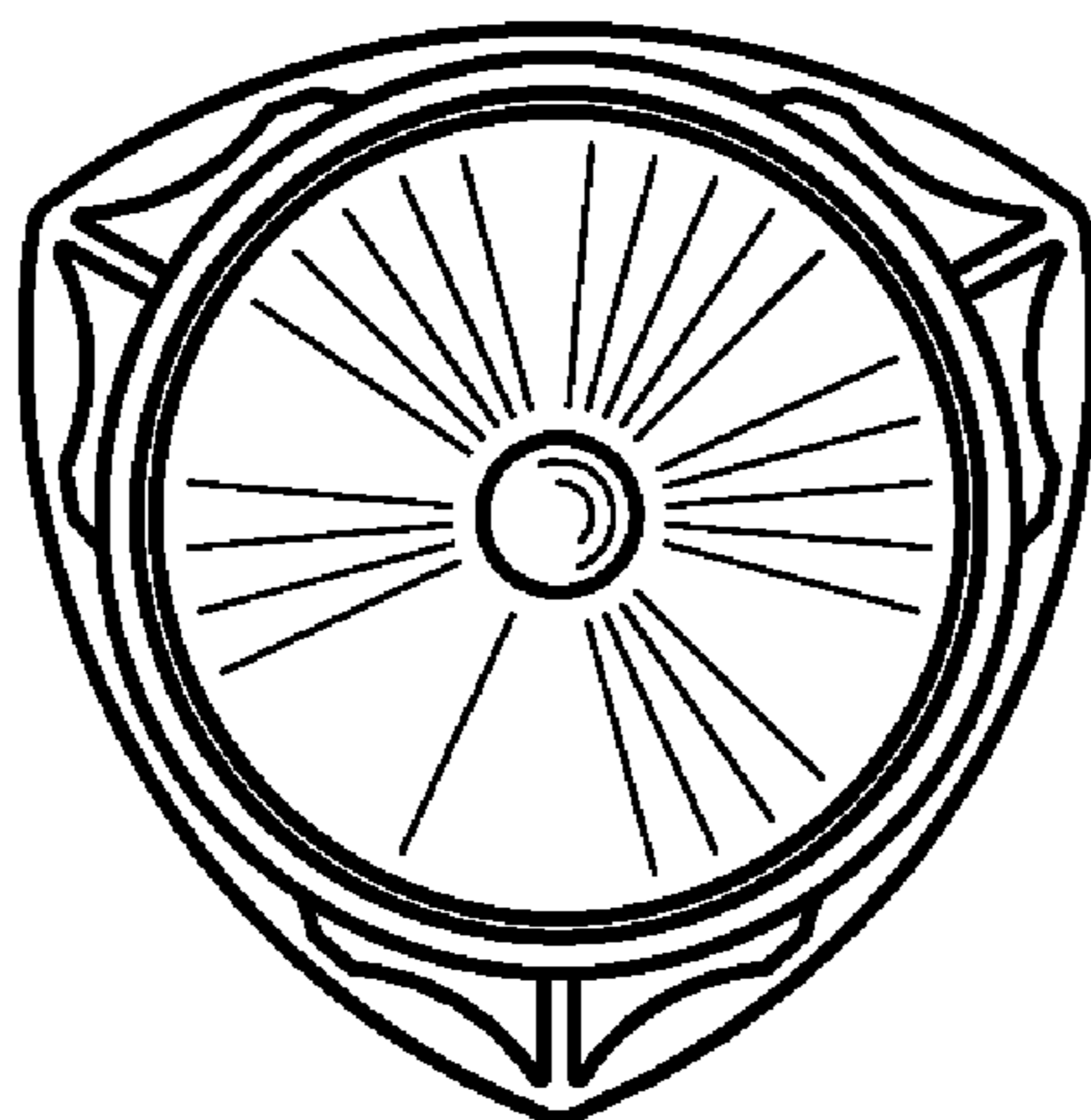


FIG. 6

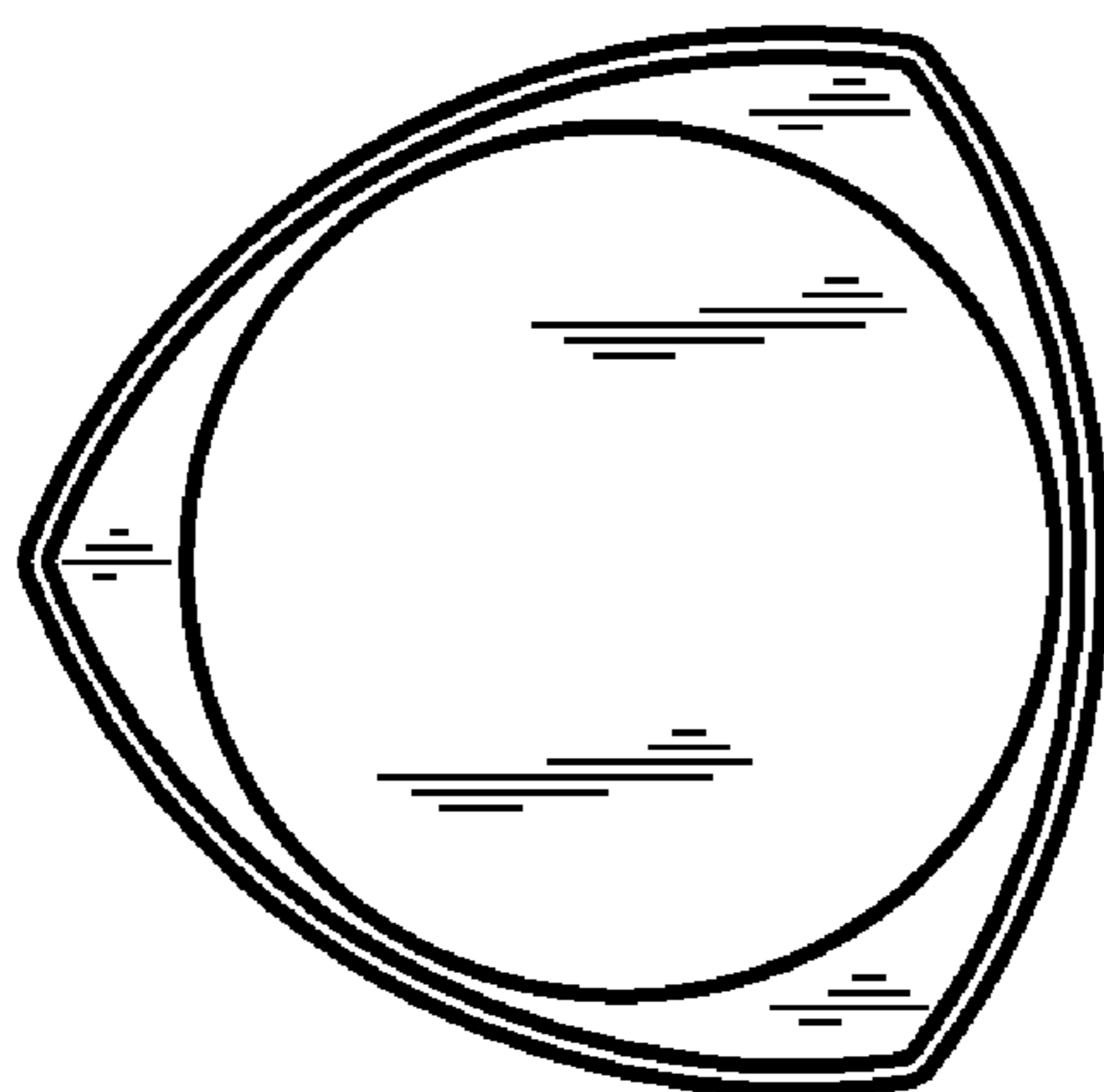


FIG. 5