



US00D590907S

(12) **United States Design Patent**
Barnett

(10) **Patent No.:** **US D590,907 S**

(45) **Date of Patent:** **** Apr. 21, 2009**

(54) **CROSSBOW STOCK**

7,178,514 B2 * 2/2007 Chang 124/25

(75) Inventor: **David A. Barnett**, Palm Harbor, FL (US)

* cited by examiner

(73) Assignee: **Barnett Outdoors, LLC**, Tarpon Springs, FL (US)

Primary Examiner—Ian Simmons

Assistant Examiner—Wan Laymon

(**) Term: **14 Years**

(74) *Attorney, Agent, or Firm*—C. Douglas McDonald; William Giltinan

(21) Appl. No.: **29/258,931**

(57) **CLAIM**

(22) Filed: **Apr. 28, 2006**

The ornamental design for a crossbow stock, as shown and described.

(51) **LOC (9) Cl.** **22-01**

(52) **U.S. Cl.** **D22/107**

(58) **Field of Classification Search** D22/107,
D22/103–104, 100–102, 108; 124/25, 86,
124/25.5; 42/71.01–75.03

DESCRIPTION

See application file for complete search history.

FIG. 1 is a side elevational view of the crossbow stock of the present invention, the opposite side being a mirror image;

FIG. 2 is a bottom view of the crossbow stock of the present invention;

(56) **References Cited**

U.S. PATENT DOCUMENTS

FIG. 3 is a top plan view of the crossbow stock of the present invention;

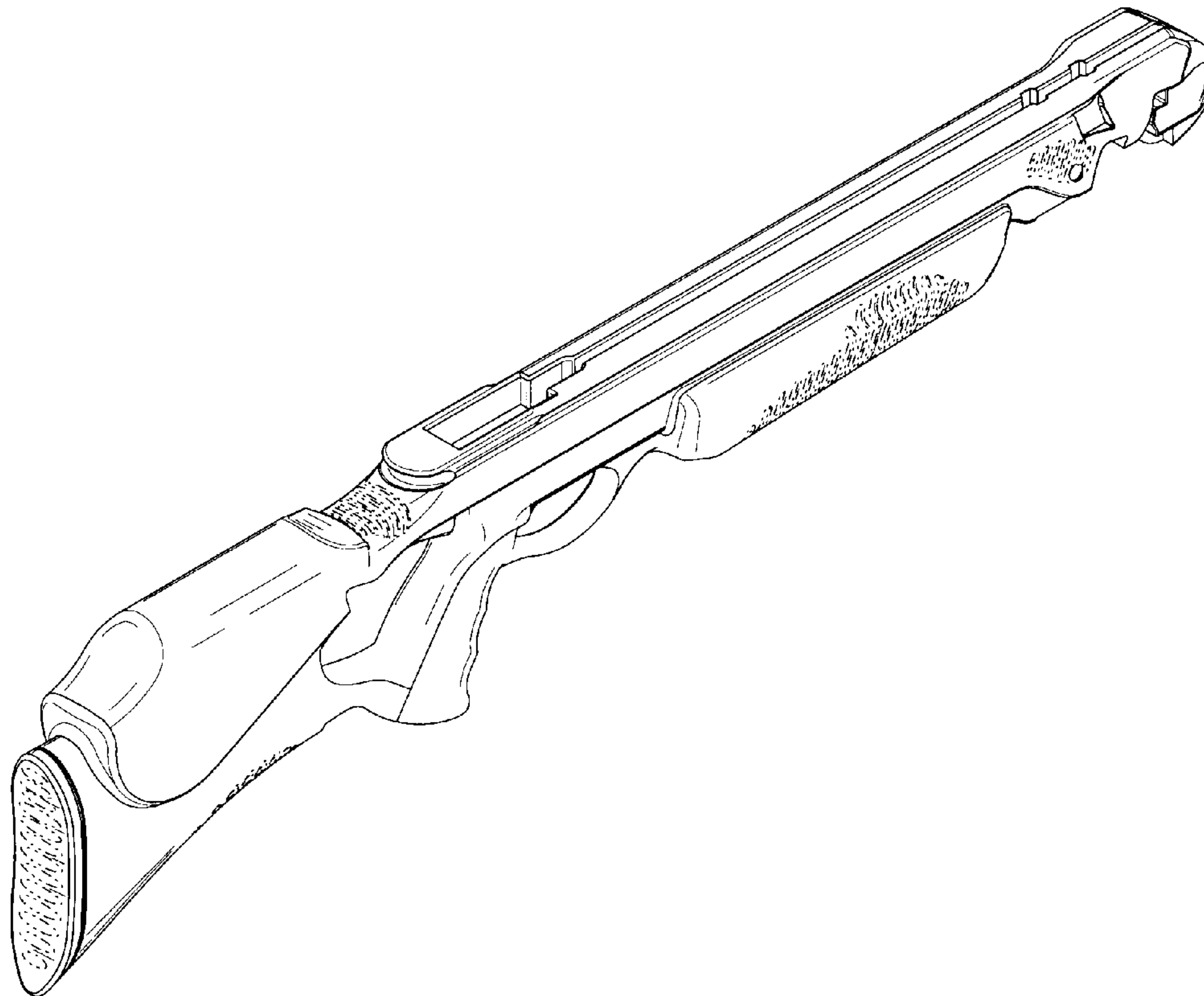
FIG. 4 is a rear elevational view of the crossbow stock of the present invention;

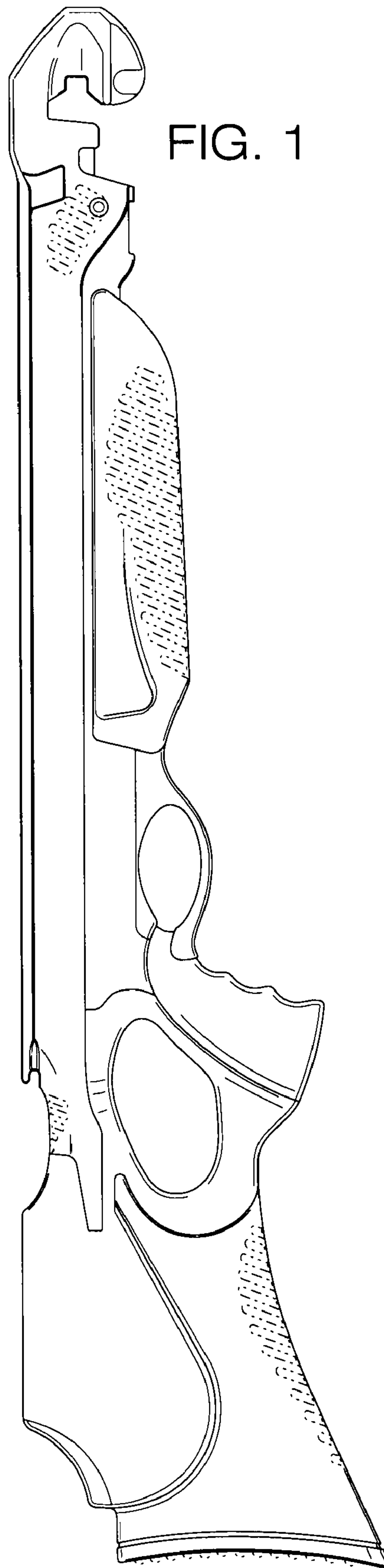
577,641	A *	2/1897	Bruder	124/25
3,483,857	A *	12/1969	Jones	124/25
D337,145	S *	7/1993	Horton-Corcoran	D22/107
D416,305	S *	11/1999	Ruger et al.	D22/103
6,286,496	B1 *	9/2001	Bednar	124/25
6,705,304	B1 *	3/2004	Pauluhn	124/25
6,799,566	B1 *	10/2004	Malucelli	124/25
6,901,921	B1 *	6/2005	Barnett	124/25
6,913,007	B2 *	7/2005	Bednar	124/25

FIG. 5 is a front elevational view of the crossbow stock of the present invention; and,

FIG. 6 is a top perspective view of the crossbow stock of the present invention.

1 Claim, 4 Drawing Sheets





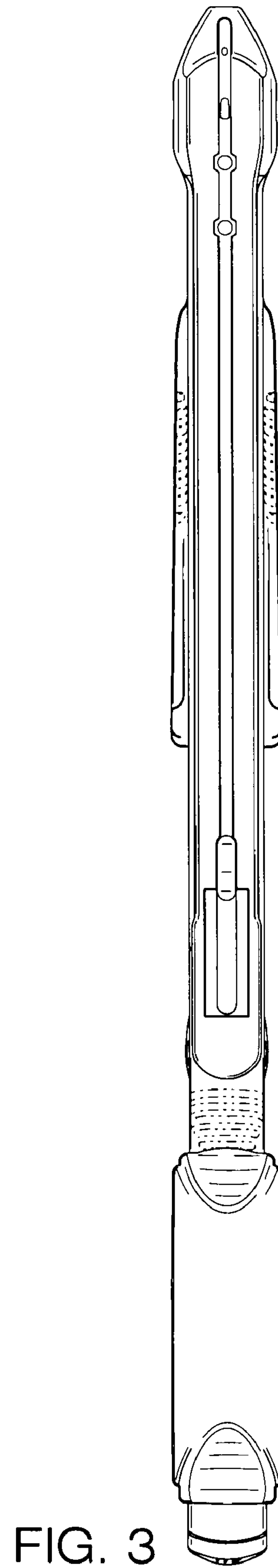
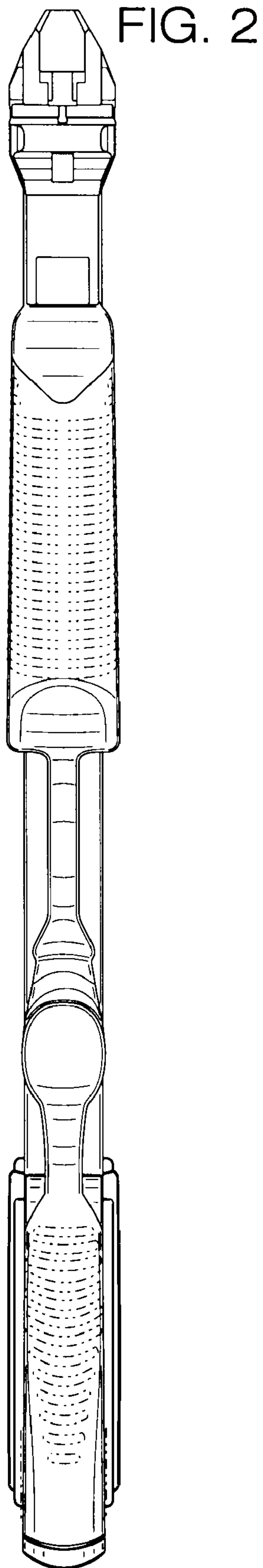


FIG. 3

FIG. 4

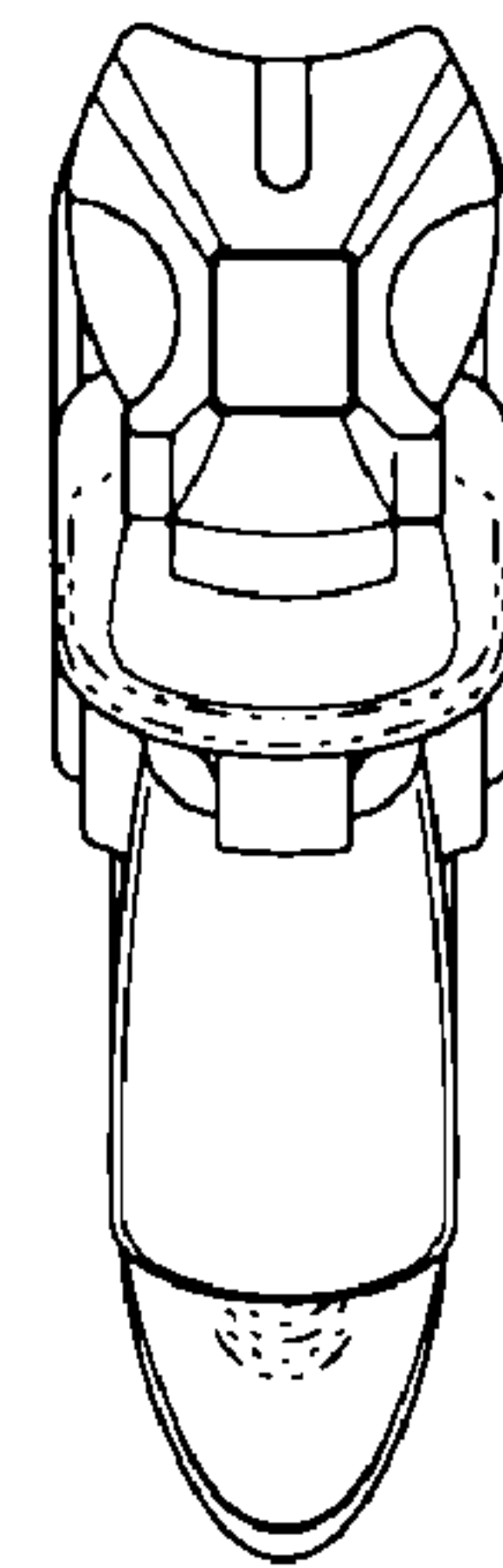
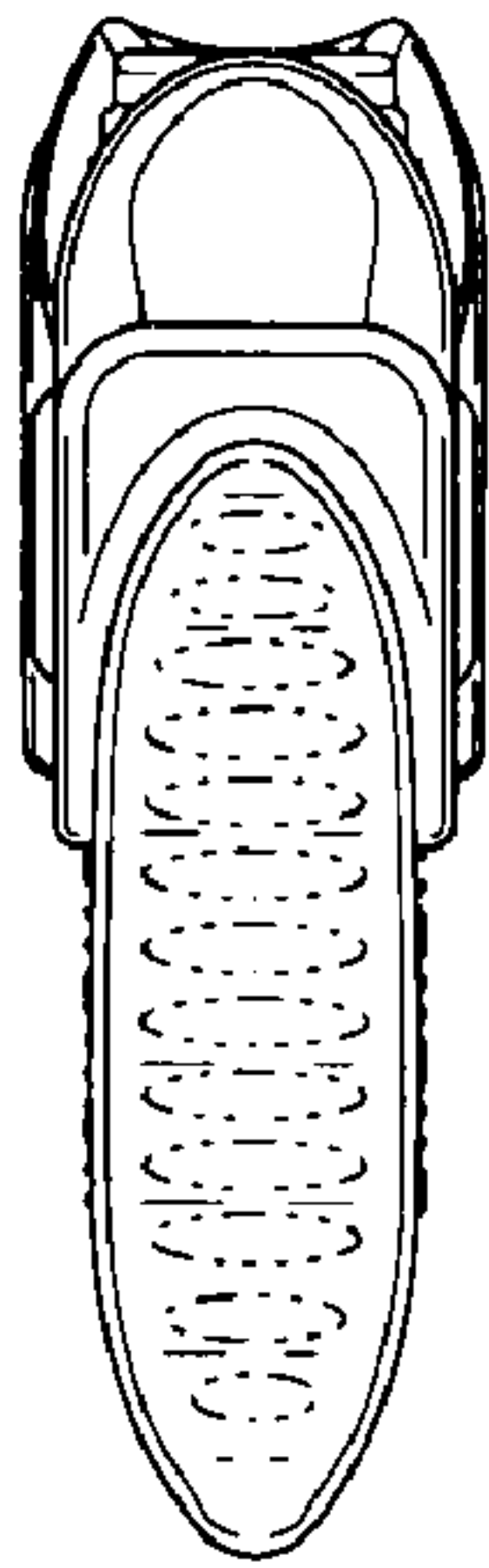


FIG. 5

