



US00D590906S

(12) **United States Design Patent**
Cackett et al.

(10) **Patent No.:** **US D590,906 S**

(45) **Date of Patent:** **** *Apr. 21, 2009**

(54) **TIP END OF A GOLF CLUB SHAFT**

2004/0018887 A1* 1/2004 Burrows 473/307

(75) Inventors: **Matthew T. Cackett**, San Diego, CA (US); **J. Neil Hall**, Carlsbad, CA (US); **Brandon D. Demille**, Encinitas, CA (US); **Alan Hocknell**, Carlsbad, CA (US); **D. Clayton Evans**, San Marcos, CA (US)

* cited by examiner

Primary Examiner—Mitchell I Siegel
(74) *Attorney, Agent, or Firm*—Michael A. Catania; Elaine H. Lo

(73) Assignee: **Callaway Golf Company**, Carlsbad, CA (US)

(57) **CLAIM**

The ornamental design for a tip end of a golf club shaft, as shown and described.

(*) Notice: This patent is subject to a terminal disclaimer.

DESCRIPTION

(**) Term: **14 Years**

FIG. 1 is a bottom perspective view of a tip end of a golf club shaft;

(21) Appl. No.: **29/304,377**

FIG. 2 is an additional bottom perspective view of a tip end of a golf club shaft rotated slightly from the position in FIG. 1;

(22) Filed: **Feb. 29, 2008**

FIG. 3 is a top perspective view of a tip end of a golf club shaft;

(51) **LOC (9) Cl.** **21-02**

(52) **U.S. Cl.** **D21/759**

(58) **Field of Classification Search** D21/753, D21/759, 756, 757; 473/300–323
See application file for complete search history.

FIG. 4 is an additional top perspective view of a tip end of a golf club shaft rotated slightly from the position in FIG. 3;

FIG. 5 is a perspective view of a tip end of a golf club shaft looking down the shaft;

(56) **References Cited**

U.S. PATENT DOCUMENTS

| | | | | |
|-----------|------|---------|-----------------|---------|
| 5,324,033 | A * | 6/1994 | Fenton, Jr. | 473/305 |
| D393,678 | S * | 4/1998 | Jones et al. | D21/759 |
| D434,822 | S * | 12/2000 | Jacobson et al. | D21/759 |
| 6,352,482 | B1 * | 3/2002 | Jacobson et al. | 473/310 |
| 6,547,673 | B2 * | 4/2003 | Roark | 473/239 |
| 6,620,053 | B2 * | 9/2003 | Tseng | 473/297 |
| 6,769,996 | B2 * | 8/2004 | Tseng | 473/306 |
| 7,083,529 | B2 * | 8/2006 | Cackett et al. | 473/309 |
| D537,896 | S * | 3/2007 | Holt et al. | D21/759 |

FIG. 6 is a front elevational view a tip end of a golf club shaft;

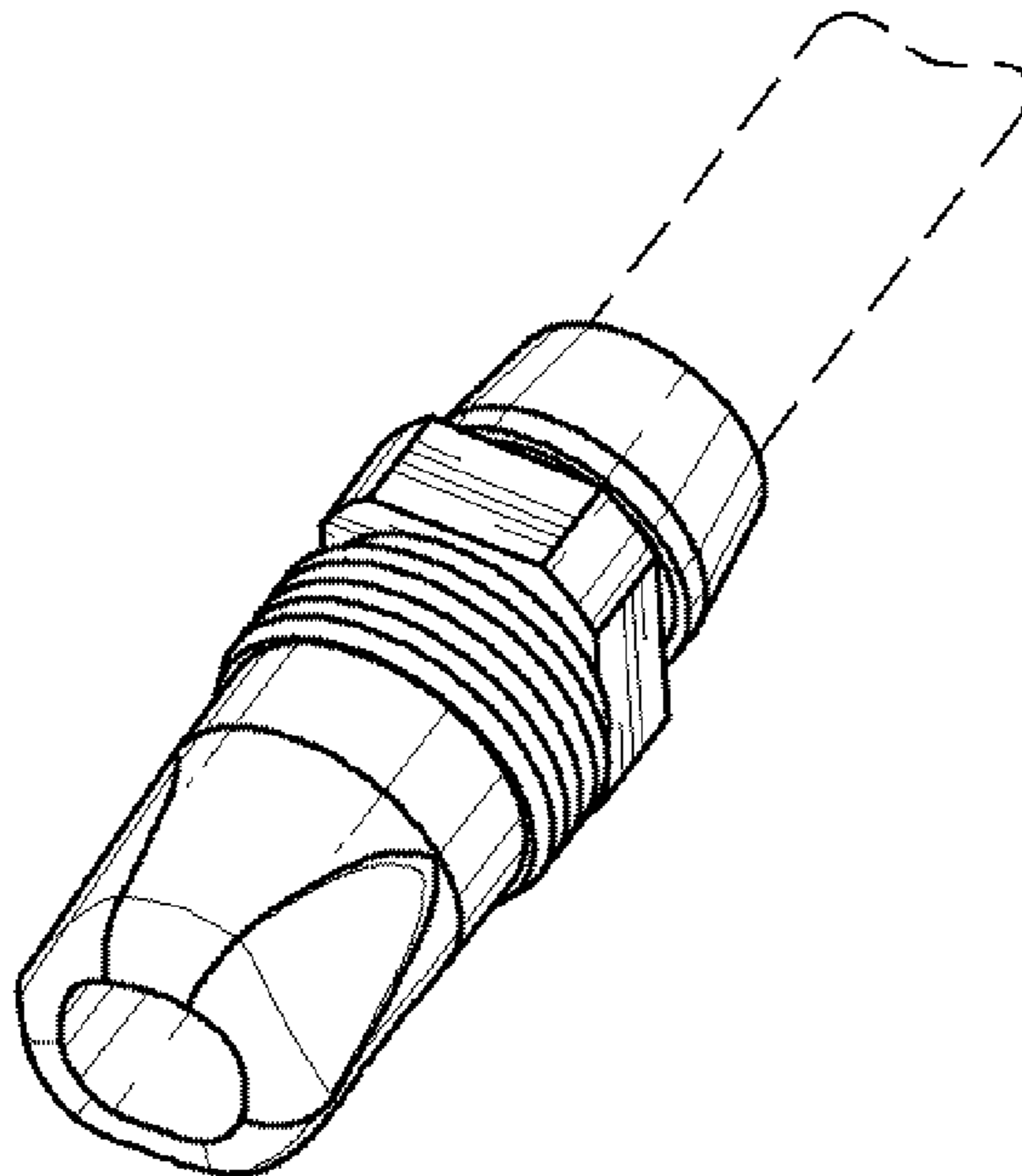
FIG. 7 is a front elevational view a end of a golf club shaft rotated slightly from the position in FIG. 6;

FIG. 8 is a front elevational view a tip end of a golf club shaft rotated slightly from the position in FIG. 7; and,

FIG. 9 is bottom plan view of a tip end of a golf club shaft.

The broken line showing of the fragmented shaft of FIG. 1 is included for the purposes of illustrating and forms no part of the claimed design.

1 Claim, 2 Drawing Sheets



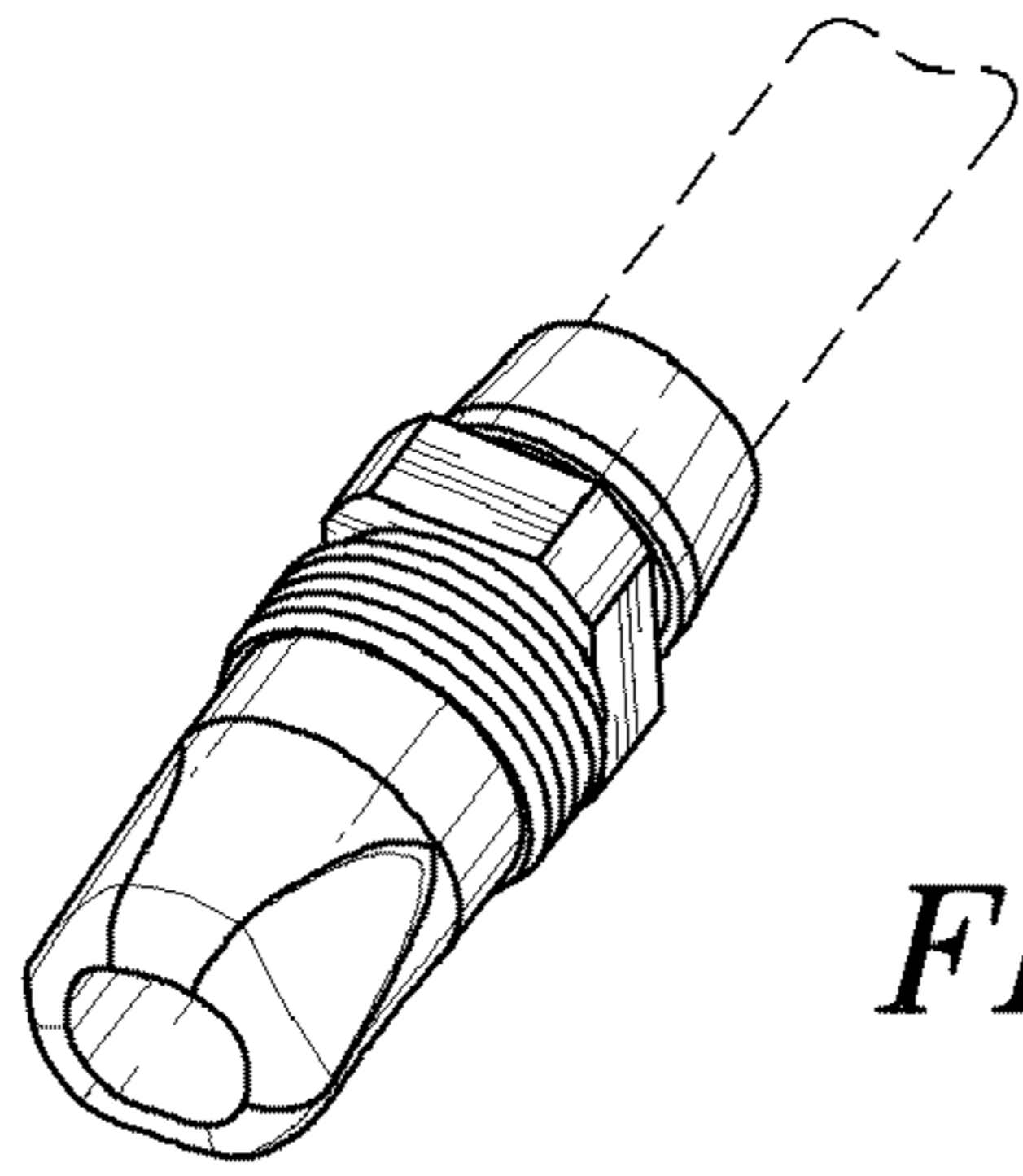


FIG. 1

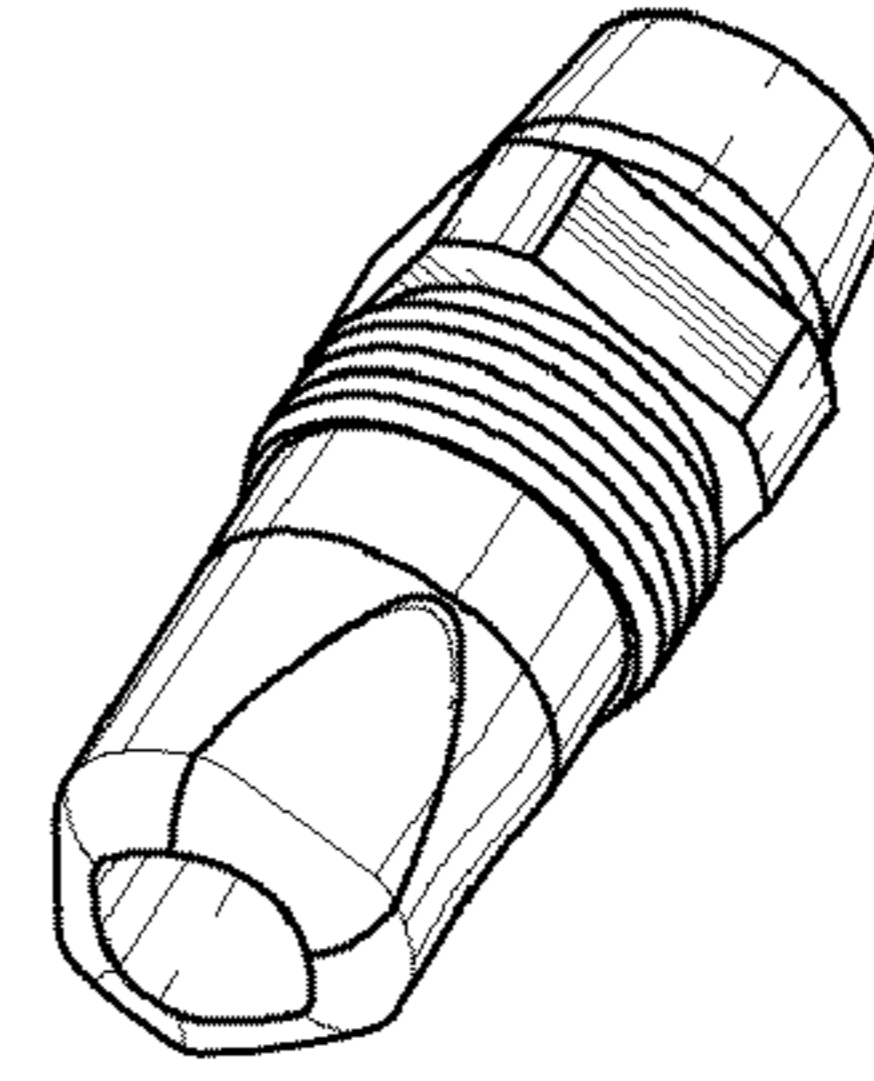


FIG. 2

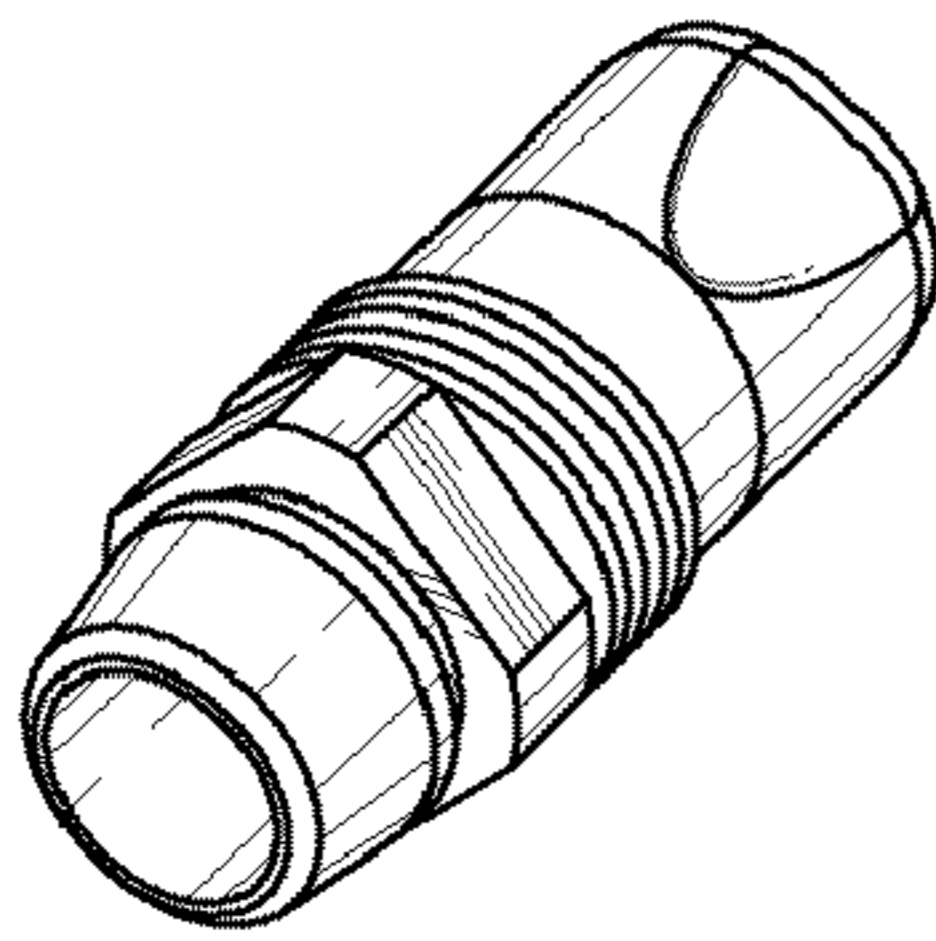


FIG. 3

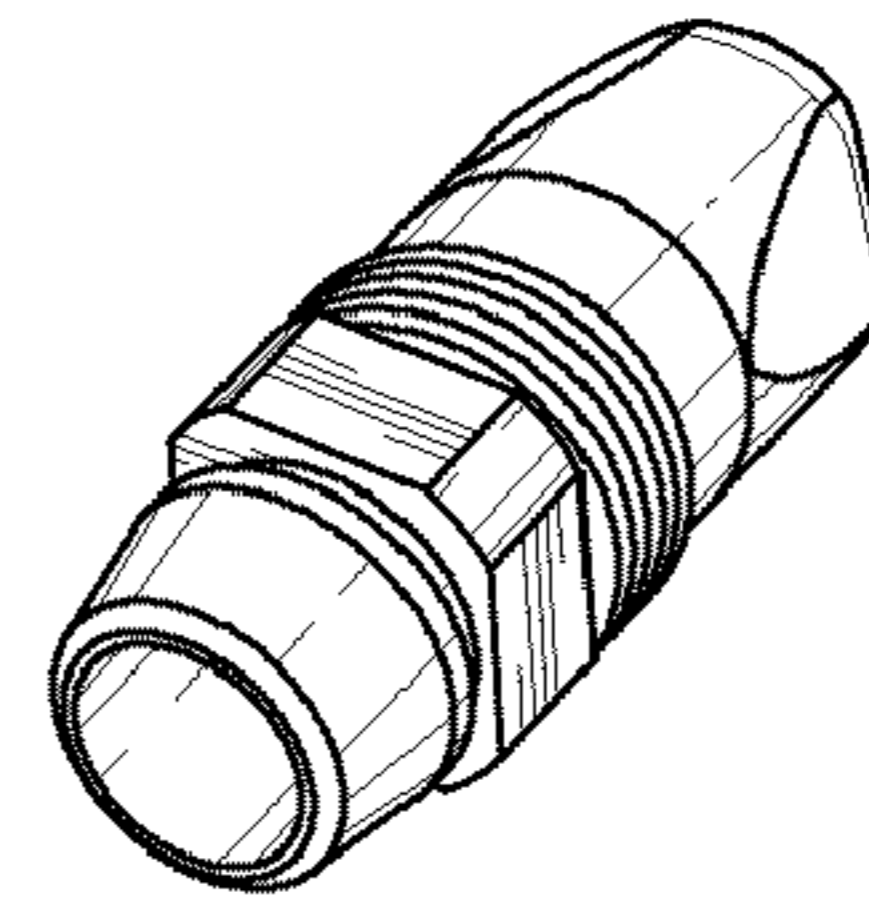


FIG. 4

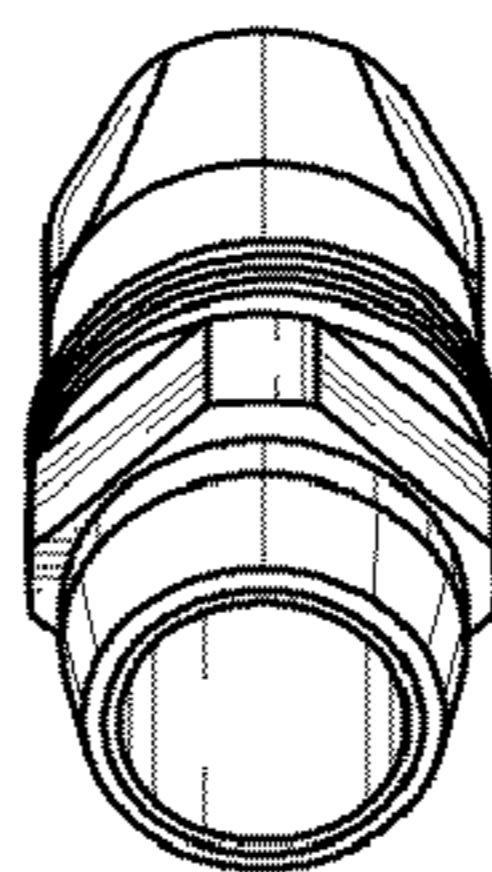


FIG. 5

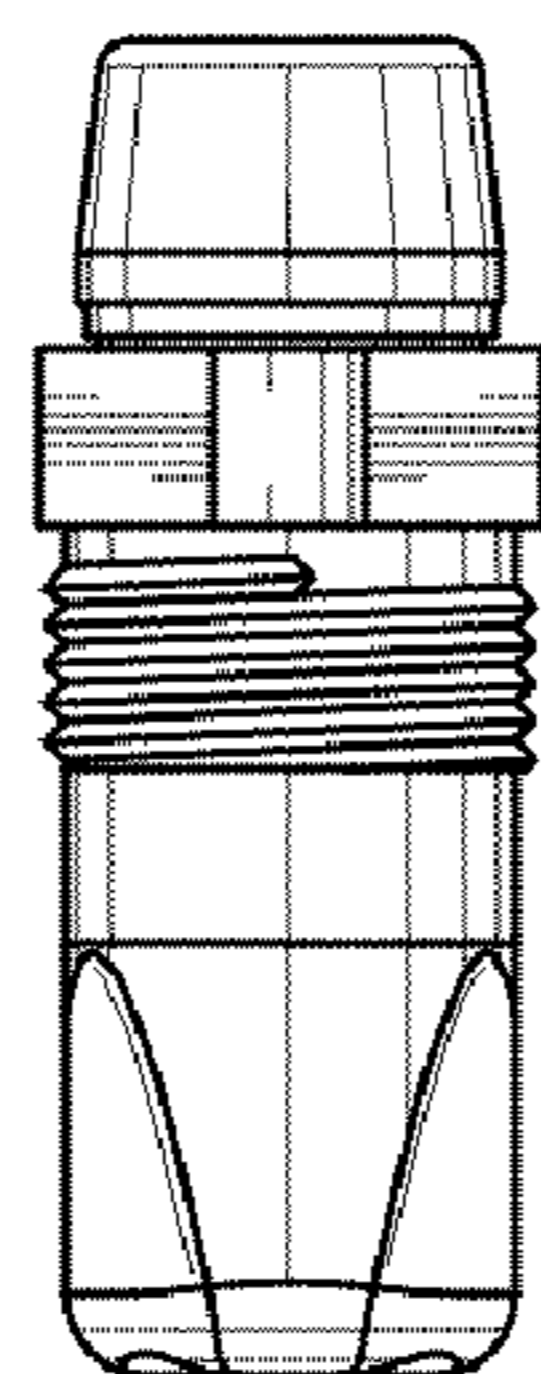


FIG. 6

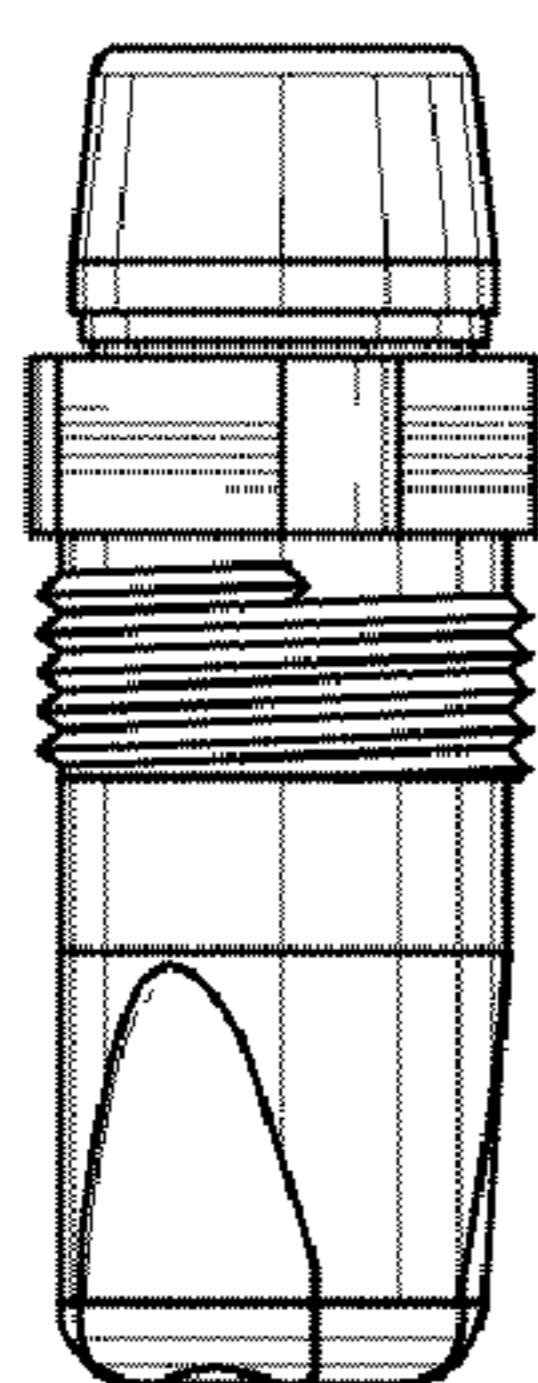


FIG. 7

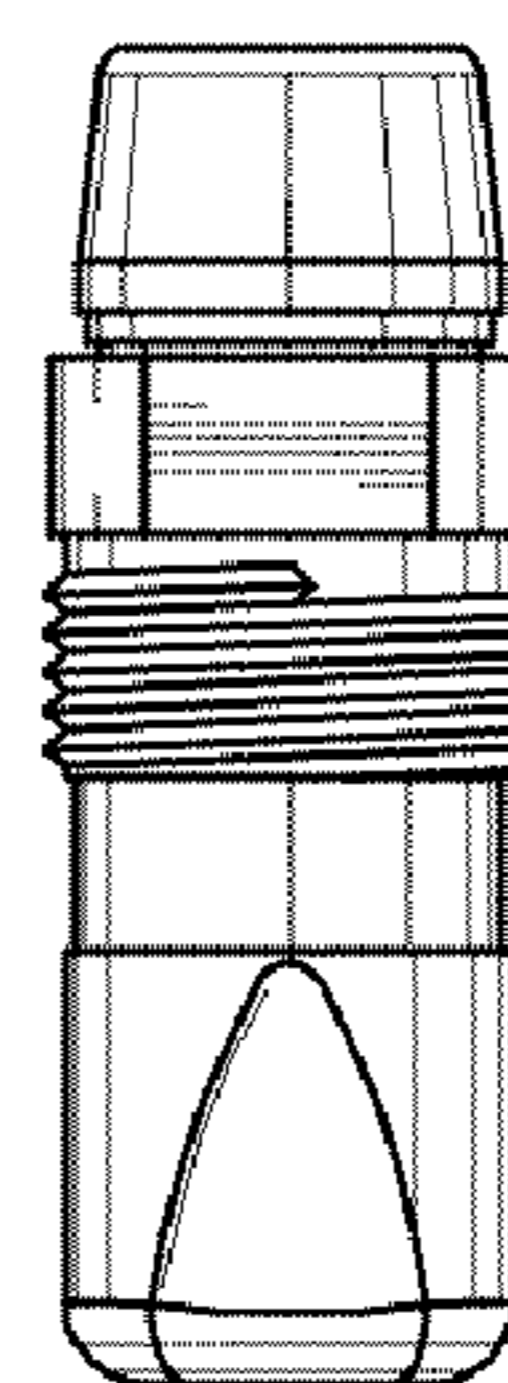


FIG. 8

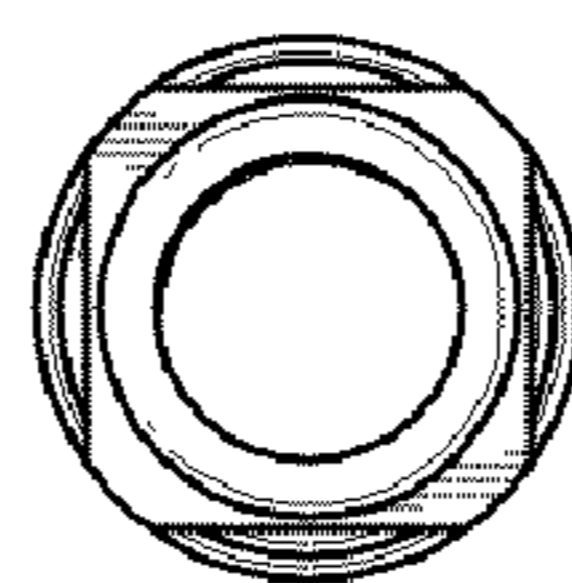


FIG. 9