

US00D590899S

(12) **United States Design Patent**
King

(10) **Patent No.:** **US D590,899 S**

(45) **Date of Patent:** **** Apr. 21, 2009**

(54) **BASKETBALL NET**

(76) **Inventor:** **Waymond Darryl King**, 2910 Kerry Forest Pkwy., D4-323, Tallahassee, FL (US) 32309

(**) **Term:** **14 Years**

(21) **Appl. No.:** **29/308,441**

(22) **Filed:** **Jun. 19, 2008**

Related U.S. Application Data

(63) Continuation-in-part of application No. 29/271,285, filed on Jan. 16, 2007, now Pat. No. Des. 572,778.

(51) **LOC (9) Cl.** **21-02**

(52) **U.S. Cl.** **D21/705**

(58) **Field of Classification Search** D21/303, D21/305, 701-705; D34/4; D32/35-37; D26/73; D6/563; 473/433, 447-449, 472, 473/476, 479-489; 273/371.3, 402.4, 407, 273/408

See application file for complete search history.

(56) **References Cited**

U.S. PATENT DOCUMENTS

2,579,312 A * 12/1951 Garvey 473/489
3,814,359 A * 6/1974 Powell 248/99

5,301,939 A * 4/1994 Ellsworth 473/485
D354,534 S * 1/1995 Michalik D21/703
5,735,760 A * 4/1998 Brewer 473/485
D572,778 S * 7/2008 King D21/705

* cited by examiner

Primary Examiner—Catherine Tuttle

(57) **CLAIM**

The ornamental design for a basketball net, as shown and described.

DESCRIPTION

FIG. 1 is a plan view showing the panel components of the design in a pre-assembled state;

FIG. 2 is a front view of the assembled design in a flattened state;

FIG. 3 is a side view of the assembled design in a flattened state; and,

FIG. 4 is a front view showing the design in association with its environment.

The broken lines representing the attachment seams between the panels, lettering, and the basketball goal structure forming the environment disclosed in FIG. 4 are all for illustrative purposes only; and form no part of the claimed design.

1 Claim, 4 Drawing Sheets

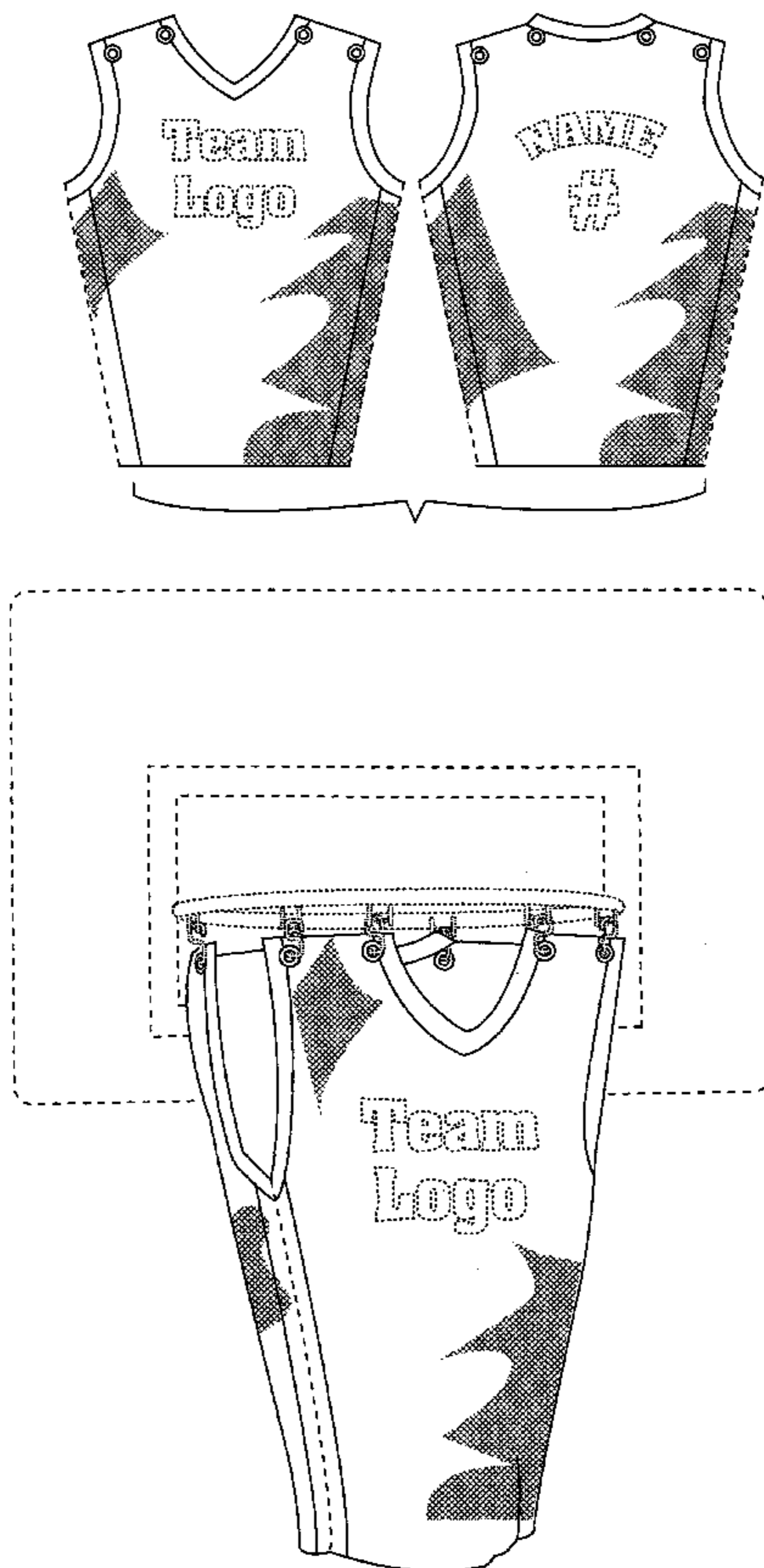


Figure 1

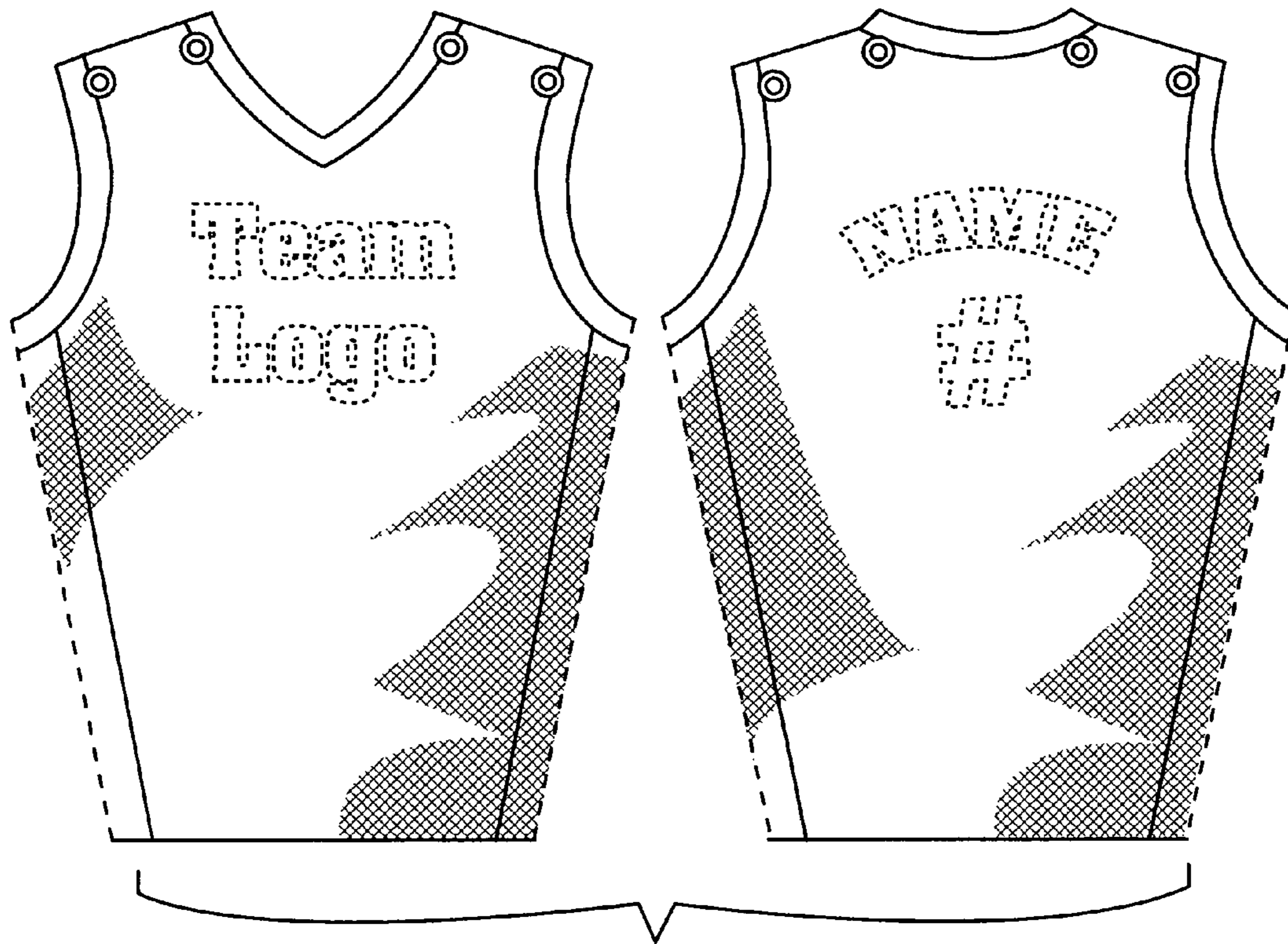
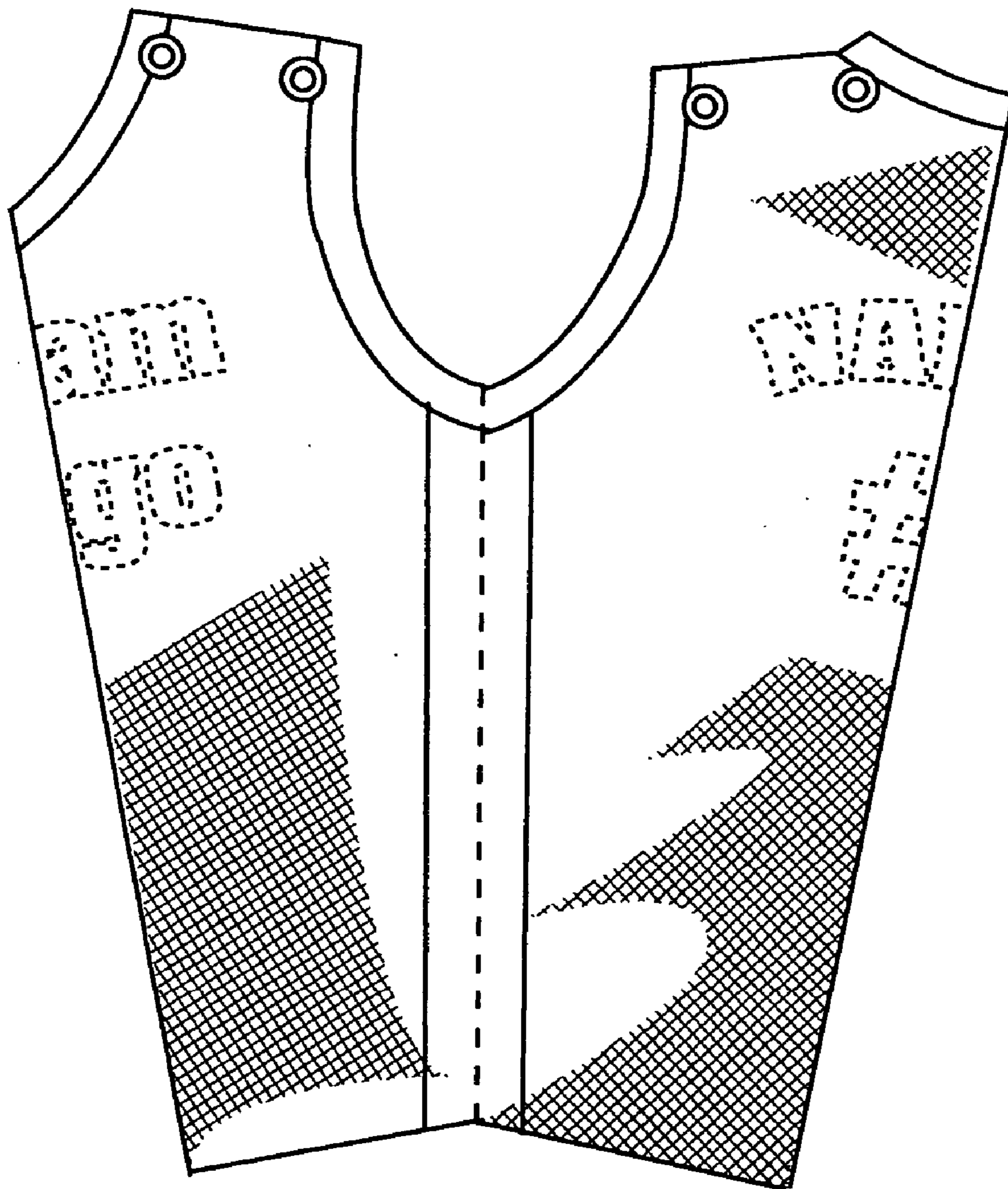


Figure 2



Figure 3



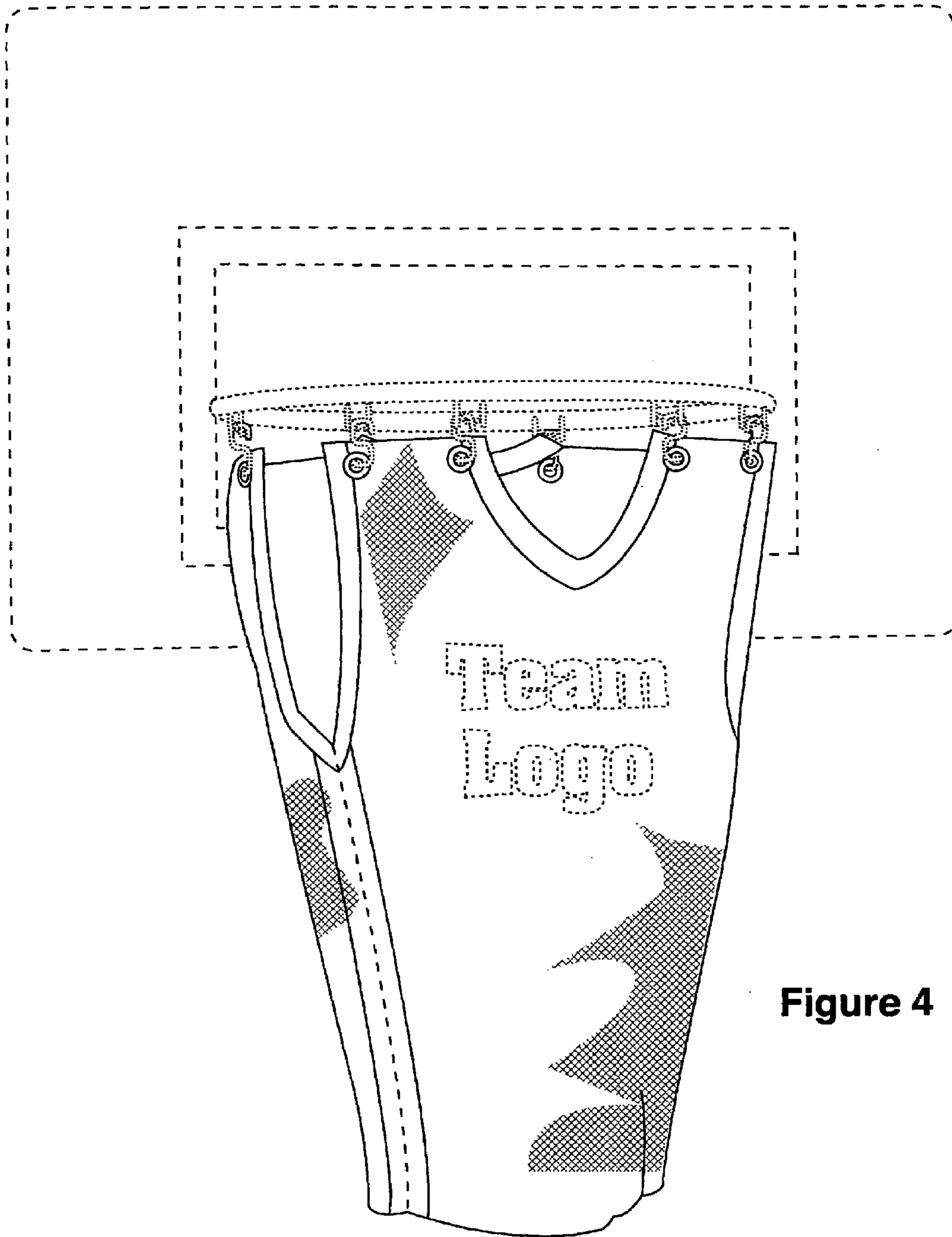


Figure 4