



US00D590898S

(12) **United States Design Patent**
Lannon et al.

(10) **Patent No.:** **US D590,898 S**
(45) **Date of Patent:** **** Apr. 21, 2009**

- (54) **EXERCISING APPARATUS**
 - (75) Inventors: **Michael G. Lannon**, 14 Driftwood La., Orleans, MA (US) 02653; **Mary O. Lannon**, Orleans, MA (US); **James R. Varney**, Belmont, MA (US); **Bryan Hotaling**, Harvard, MA (US)
 - (73) Assignee: **Michael G. Lannon**, Orleans, MA (US)
 - (**) Term: **14 Years**
 - (21) Appl. No.: **29/266,860**
 - (22) Filed: **Sep. 29, 2006**
 - (51) **LOC (9) Cl.** **21-02**
 - (52) **U.S. Cl.** **D21/694**
 - (58) **Field of Classification Search** D21/662,
D21/673, 675, 676, 686, 694, 696; 482/51,
482/100, 93, 94, 95, 96, 97, 98, 99, 130,
482/133, 135, 140
- See application file for complete search history.

- 5,655,997 A 8/1997 Greenberg et al.
- 5,679,102 A 10/1997 Hammer
- 5,704,875 A 1/1998 Tanabe
- 5,715,160 A 2/1998 Plotke
- 5,740,813 A 4/1998 Ogata et al.
- 5,785,632 A 7/1998 Greenberg et al.
- 5,800,310 A 9/1998 Jones
- 5,803,870 A 9/1998 Buhler
- 5,810,747 A 9/1998 Brudny et al.
- 5,853,351 A 12/1998 Maruo et al.
- 5,879,270 A 3/1999 Huish et al.
- 5,916,063 A 6/1999 Alessandri
- 5,921,891 A 7/1999 Browne
- 5,931,763 A 8/1999 Alessandri
- 5,947,869 A 9/1999 Shea
- 5,980,429 A 11/1999 Nashner
- 6,013,009 A 1/2000 Karkanen
- 6,033,227 A 3/2000 Ishig
- 6,050,924 A 4/2000 Shea
- 6,053,844 A 4/2000 Clem
- 6,077,193 A 6/2000 Buhler et al.

(Continued)

Primary Examiner—Philip S Hyder
(74) *Attorney, Agent, or Firm*—Fish & Richardson P.C.

(56) **References Cited**
U.S. PATENT DOCUMENTS

- 4,549,555 A 10/1985 Fraser et al.
- 4,728,099 A 3/1988 Pitre
- 4,735,195 A 4/1988 Blum et al.
- D300,233 S * 3/1989 Griffin D21/675
- 4,817,940 A 4/1989 Shaw et al.
- D300,939 S * 5/1989 Griffin D21/675
- 4,828,257 A 5/1989 Dyer et al.
- 4,831,242 A 5/1989 Englehardt et al.
- 4,902,009 A 2/1990 Jones
- 4,907,795 A 3/1990 Shaw et al.
- 4,911,427 A 3/1990 Matsumoto et al.
- 5,018,726 A 5/1991 Yorioka
- 5,020,795 A 6/1991 Airy et al.
- 5,149,084 A 9/1992 Dalebout et al.
- 5,323,784 A 6/1994 Shu
- 5,410,472 A 4/1995 Anderson
- 5,435,799 A 7/1995 Lundin
- 5,458,548 A 10/1995 Crossing et al.
- 5,603,330 A 2/1997 Suga

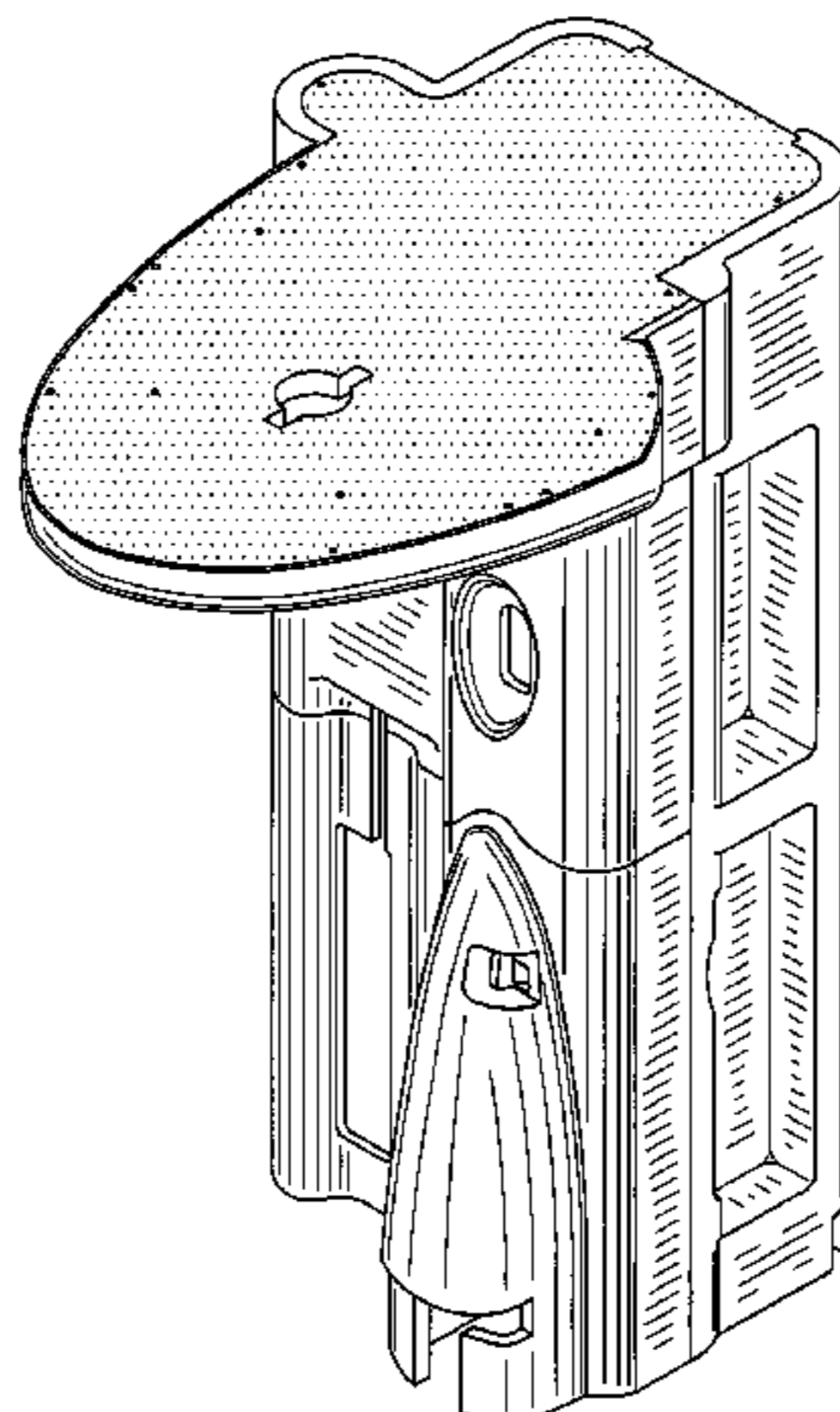
(57) **CLAIM**

The ornamental design for a exercising apparatus, as shown and described.

DESCRIPTION

FIG. 1 is a top isometric view of my new design for an exercising apparatus;
FIG. 2 is a front view thereof;
FIG. 3 is a rear view of FIG. 2;
FIG. 4 is a right side view of FIG. 2;
FIG. 5 is a left side view of FIG. 2;
FIG. 6 is a top view of FIG. 2; and,
FIG. 7 is a bottom view of FIG. 2.

1 Claim, 7 Drawing Sheets



US D590,898 S

Page 2

U.S. PATENT DOCUMENTS

D428,949 S *	8/2000	Simonson	D21/694	6,659,946 B1	12/2003	Batchelor et al.	
6,190,287 B1	2/2001	Nashner		6,672,991 B2	1/2004	O'Malley	
6,210,301 B1	4/2001	Abraham-Fuchs et al.		6,687,535 B2	2/2004	Hautala et al.	
6,228,000 B1	5/2001	Jones		6,689,057 B1	2/2004	Shinsel et al.	
6,231,481 B1	5/2001	Brock		6,740,007 B2	5/2004	Gordon et al.	
6,439,893 B1	8/2002	Byrd et al.		6,746,370 B1	6/2004	Fleming et al.	
6,494,811 B1	12/2002	Alessandri		D493,854 S *	8/2004	Grider	D21/694
6,497,638 B1	12/2002	Shea		6,793,607 B2	9/2004	Neil	
6,503,173 B2	1/2003	Clem		6,808,472 B1	10/2004	Hickman	
6,527,674 B1	3/2003	Clem		6,863,641 B1	3/2005	Brown et al.	
D472,945 S *	4/2003	Panatta	D21/662	6,866,613 B1	3/2005	Brown et al.	
6,605,044 B2	8/2003	Bimbaum		6,913,559 B2	7/2005	Smith	
6,607,483 B1	8/2003	Holland		6,916,274 B2	7/2005	Glusco	
6,626,799 B2	9/2003	Watterson et al.		6,918,858 B2	7/2005	Watterson et al.	
6,626,800 B1	9/2003	Casler		6,921,351 B1	7/2005	Hickman et al.	
6,632,158 B1	10/2003	Nashner		D514,174 S *	1/2006	Germantown	D21/676
6,648,798 B2	11/2003	Yoo		D523,496 S *	6/2006	Grider	D21/694

* cited by examiner

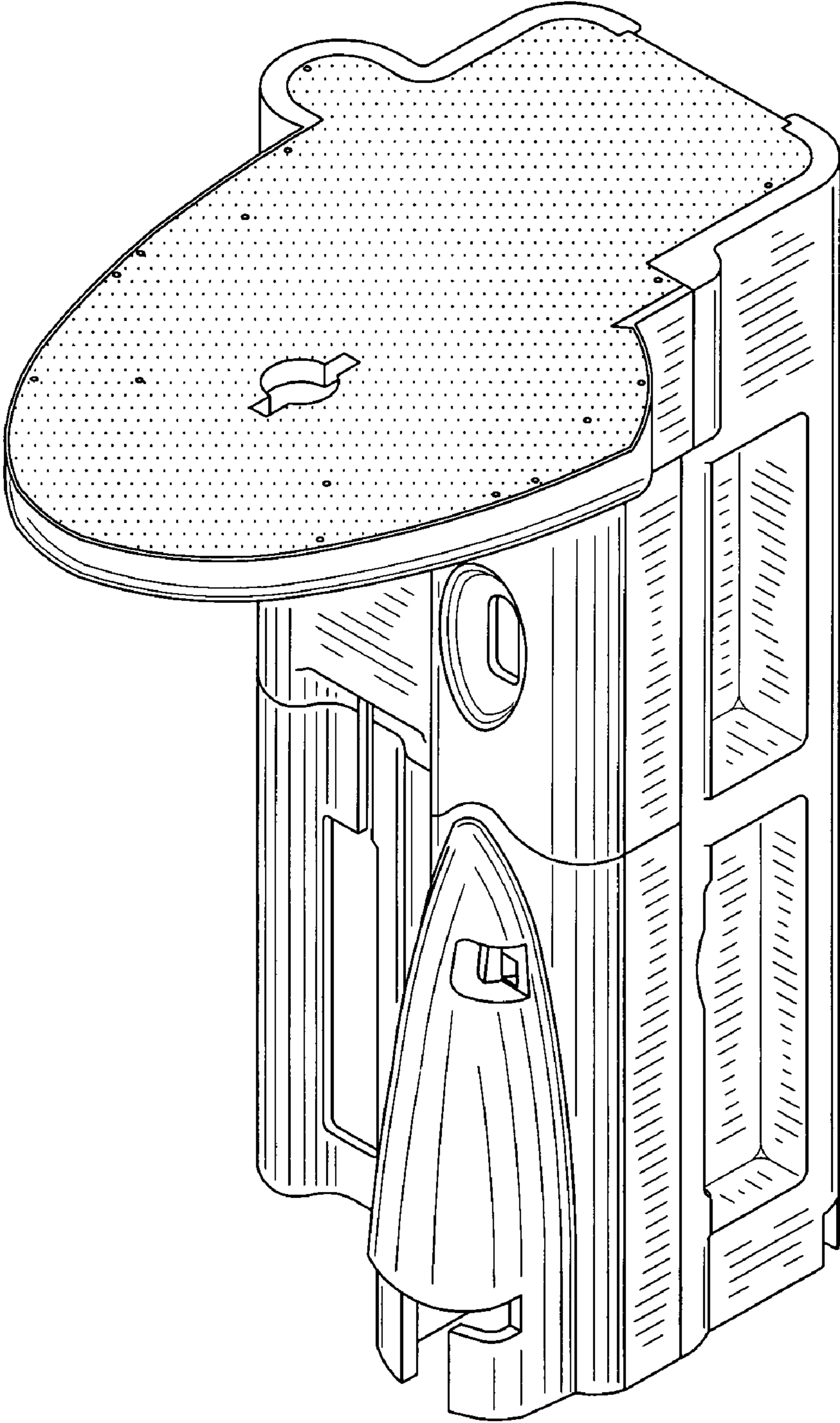


FIG. 1

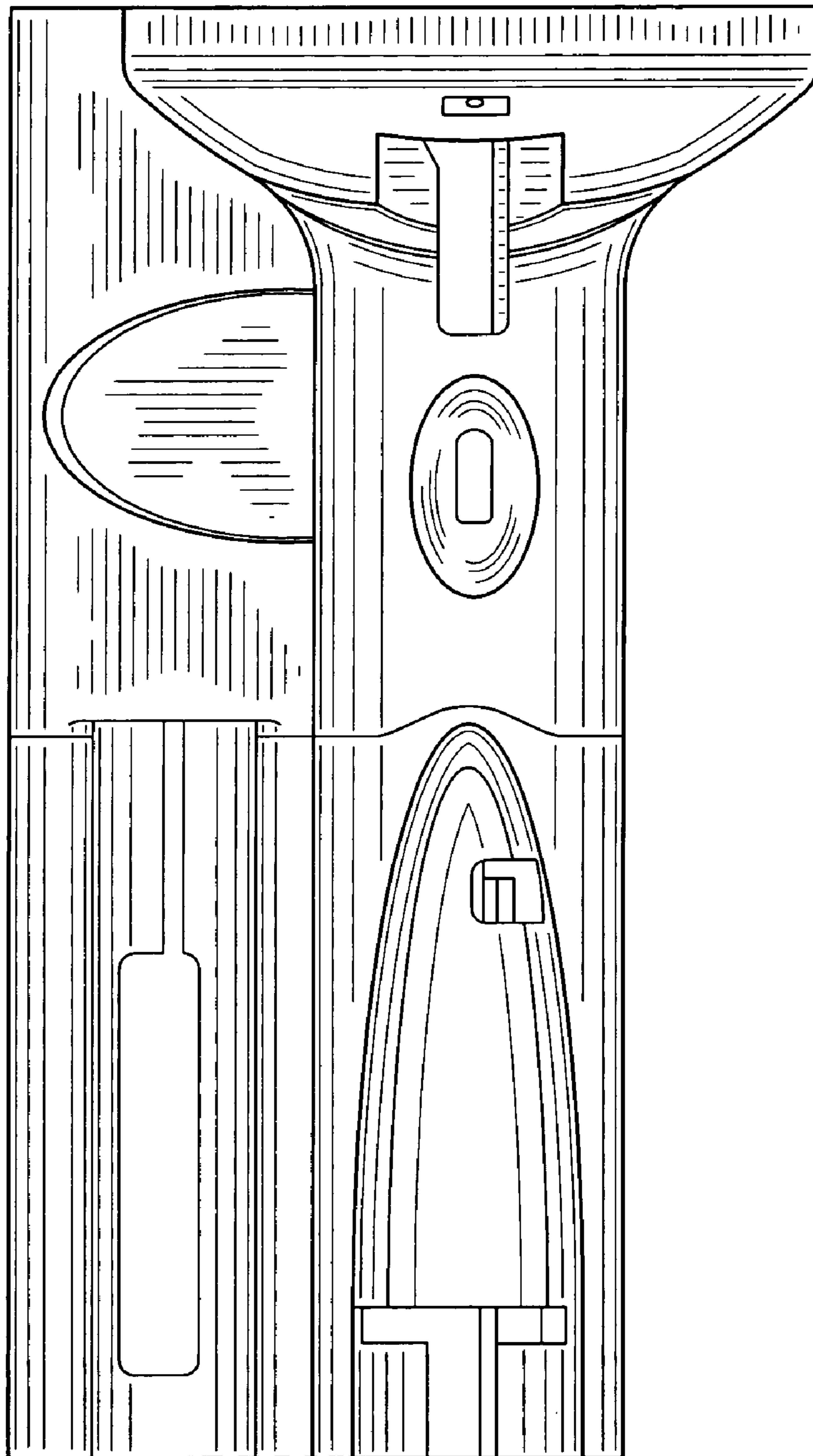


FIG. 2

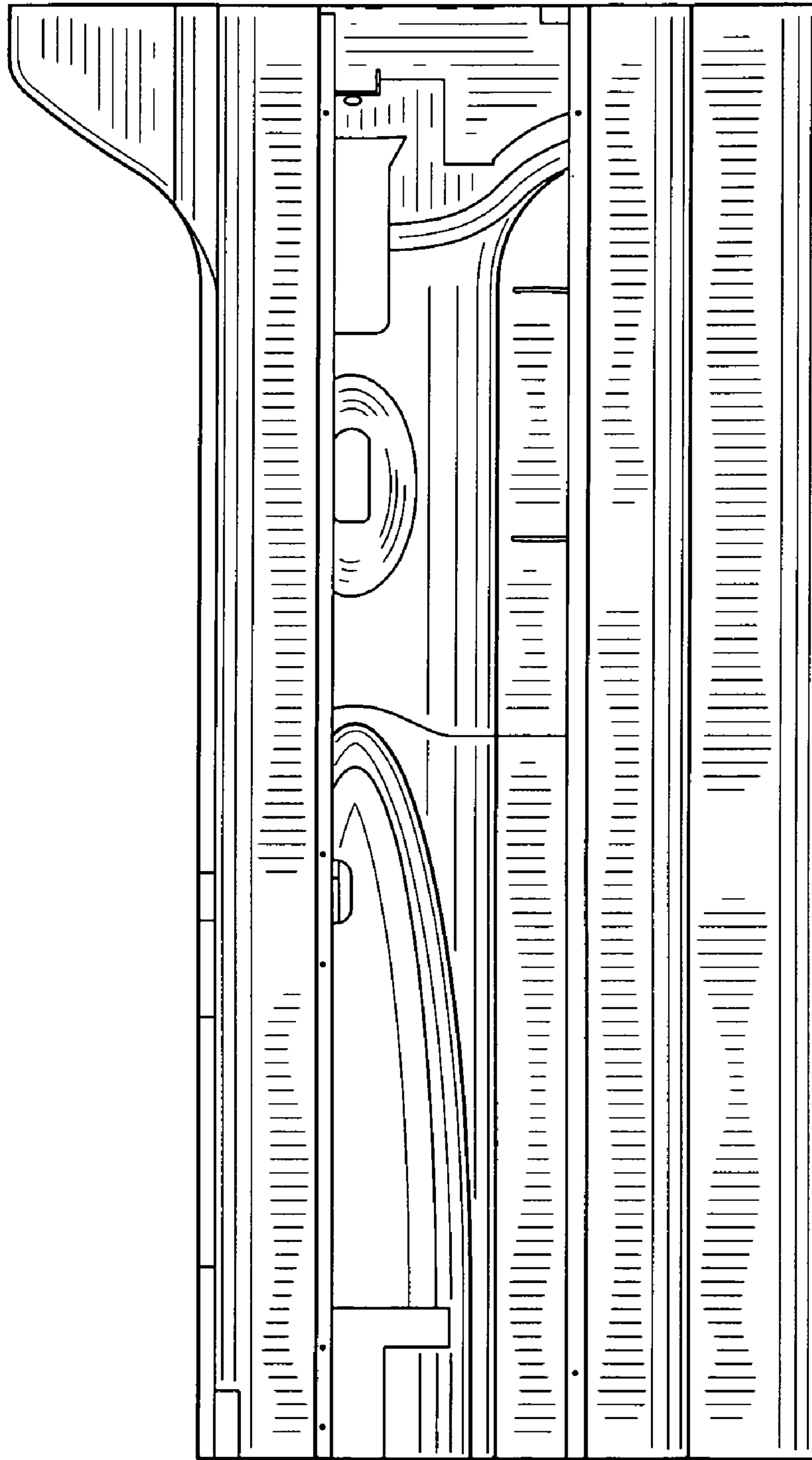


FIG. 3

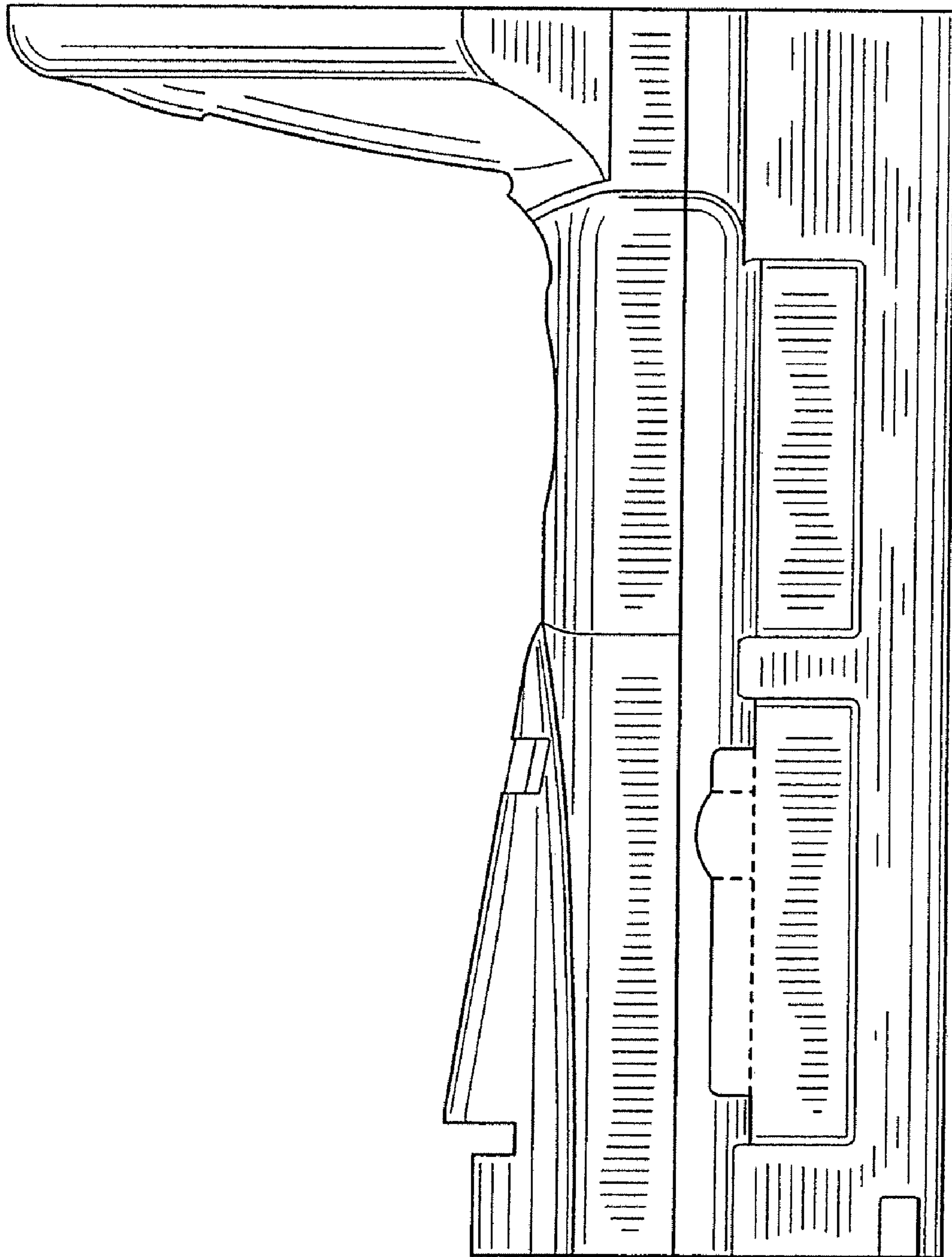


FIG. 4

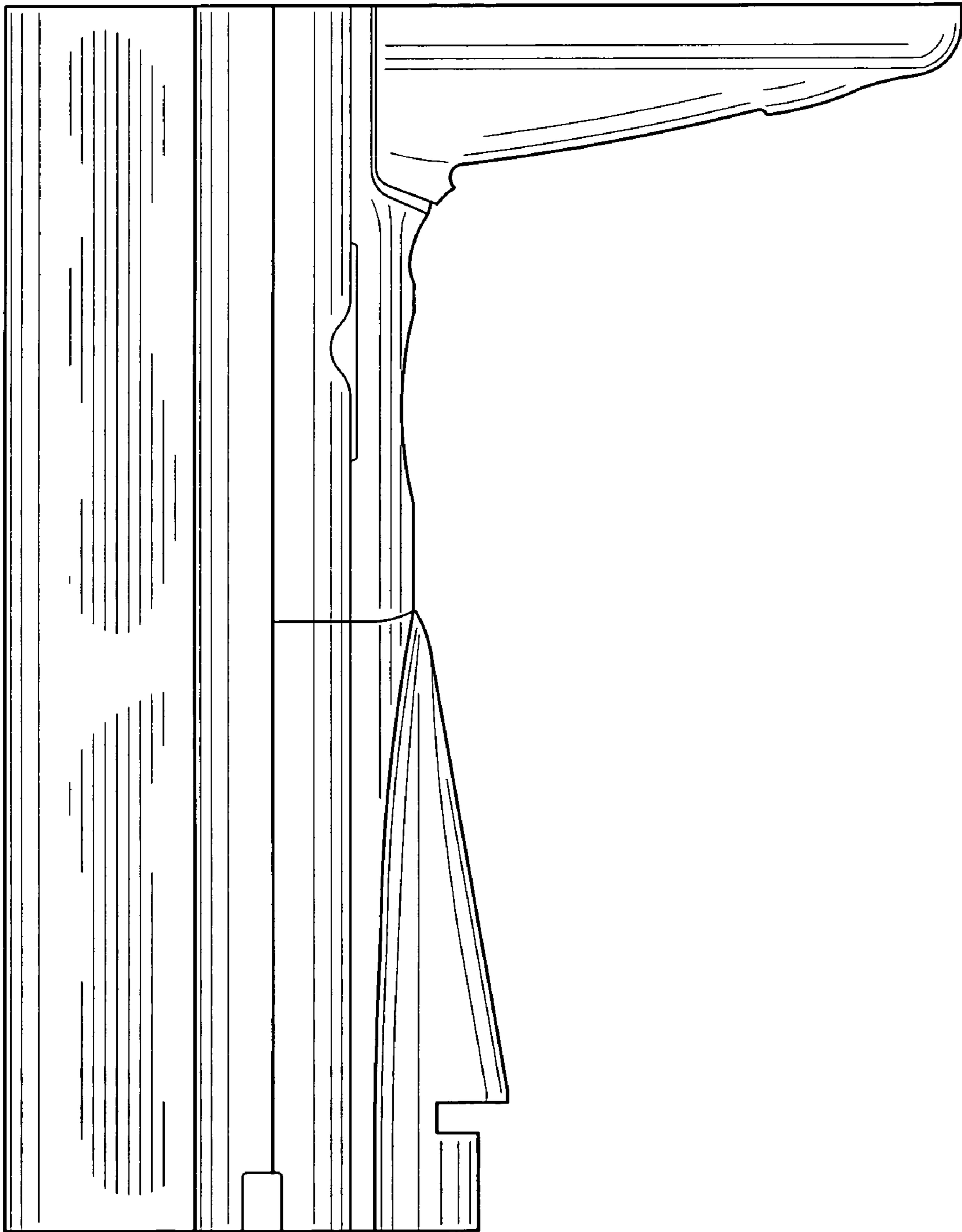


FIG. 5

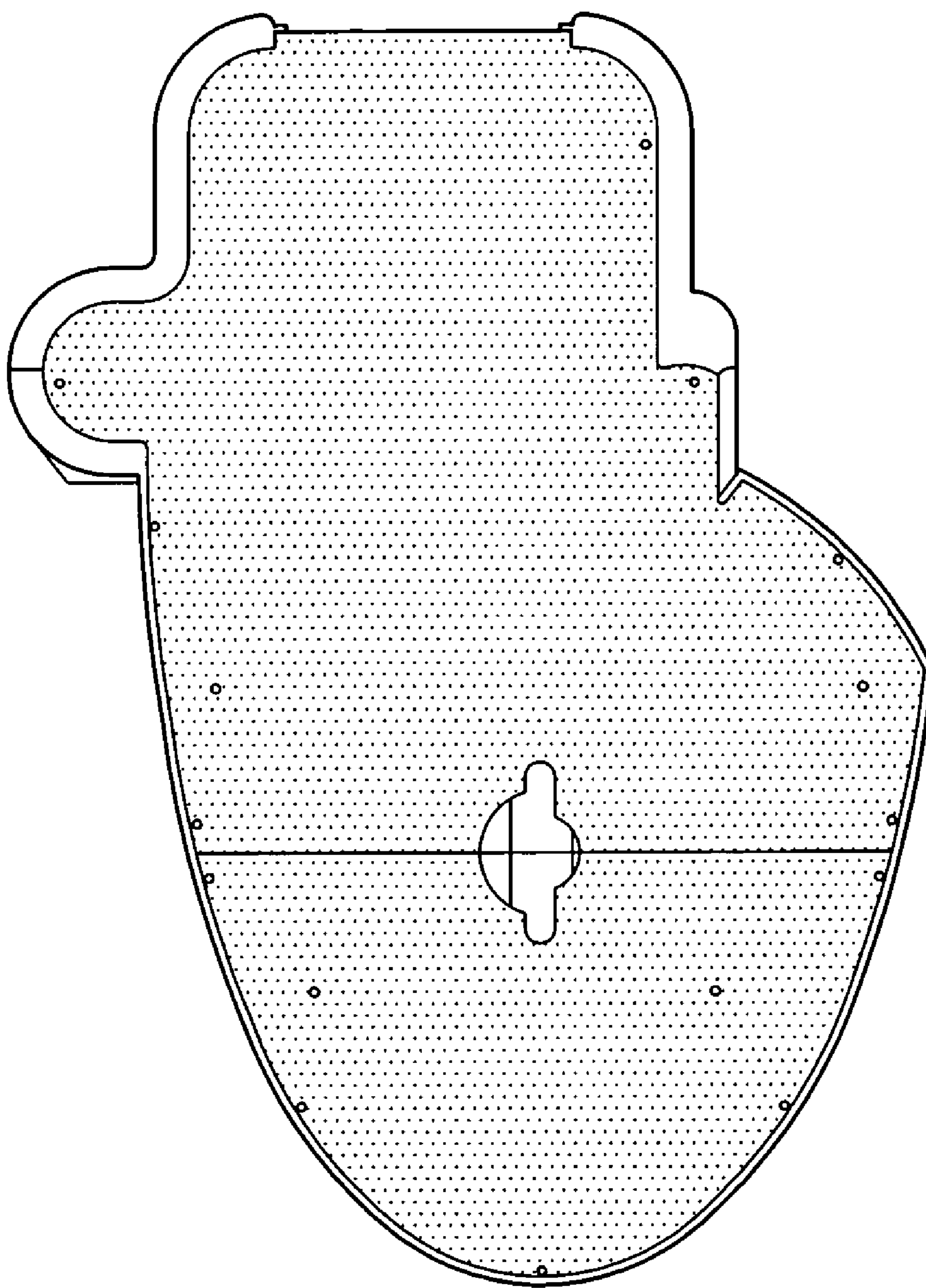


FIG. 6

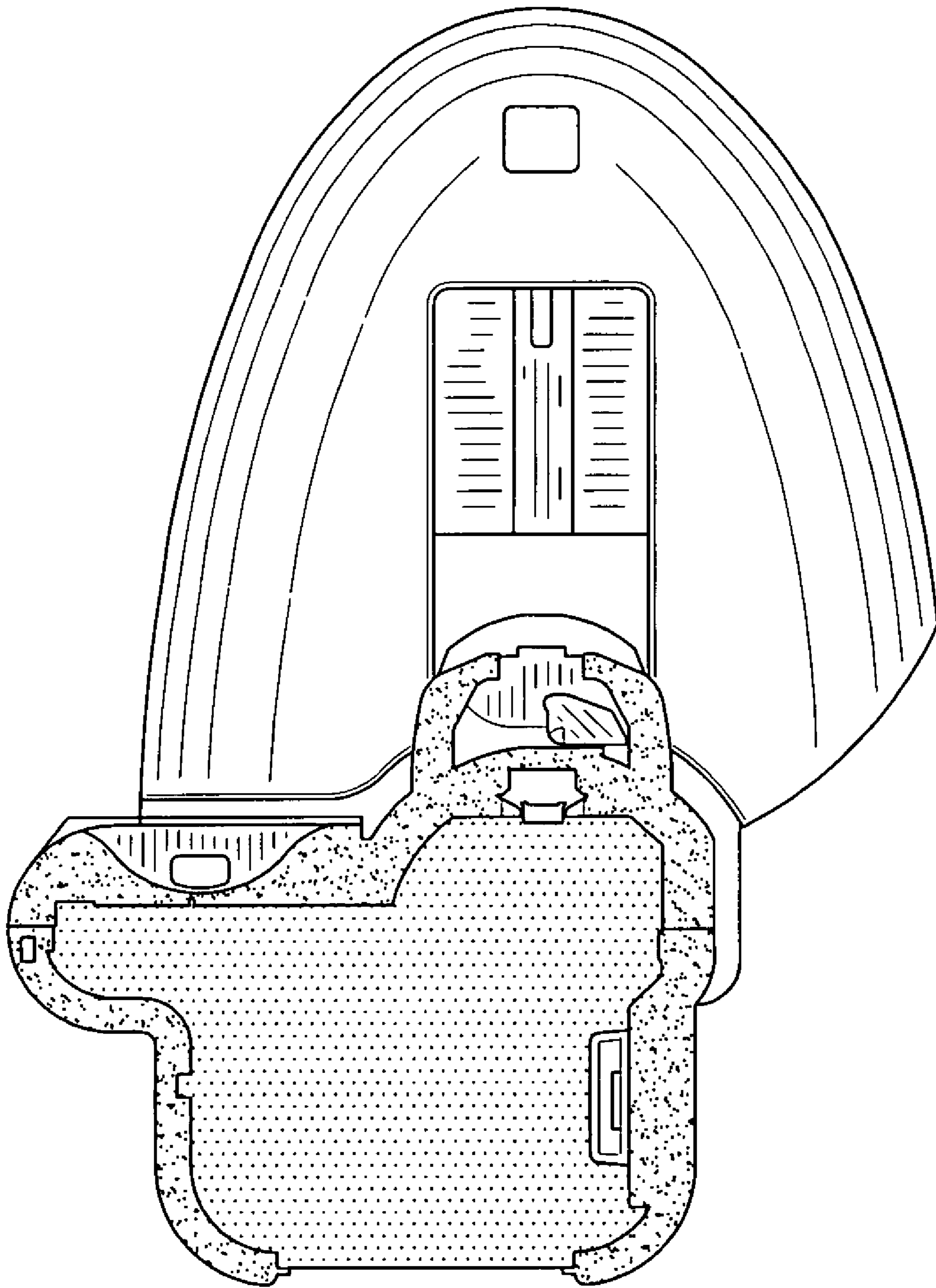


FIG. 7