



US00D590897S

(12) **United States Design Patent**  
**Sato et al.**

(10) **Patent No.:** **US D590,897 S**

(45) **Date of Patent:** **\*\* Apr. 21, 2009**

(54) **TOY**

(75) Inventors: **Wataru Sato**, Kawasaki (JP); **Noriyoshi Matsumura**, Chiba (JP)

(73) Assignee: **Spin Master Ltd.**, Toronto, Ontario (CA)

(\*\*) Term: **14 Years**

(21) Appl. No.: **29/293,939**

(22) Filed: **Dec. 18, 2007**

(51) **LOC (9) Cl.** ..... **21-01**

(52) **U.S. Cl.** ..... **D21/584; D21/657**

(58) **Field of Classification Search** ..... D21/578-584, D21/650, 657; 446/71-72, 97, 99, 487  
See application file for complete search history.

(56) **References Cited**

**U.S. PATENT DOCUMENTS**

|              |         |                    |         |
|--------------|---------|--------------------|---------|
| D226,208 S * | 1/1973  | Meyers et al. .... | D21/592 |
| D272,458 S   | 1/1984  | Fleminger          |         |
| D286,800 S   | 11/1986 | Maruyama           |         |
| D287,258 S   | 12/1986 | Maruyama           |         |
| D292,110 S   | 9/1987  | Tamakoshi          |         |
| D296,916 S   | 7/1988  | Matsuda            |         |
| D297,749 S   | 9/1988  | Rodis-Jamero       |         |
| D298,150 S   | 10/1988 | Torres et al.      |         |
| D298,151 S   | 10/1988 | Torres et al.      |         |
| D517,131 S * | 3/2006  | Carruth .....      | D21/592 |

\* cited by examiner

*Primary Examiner*—Sandra Morris

(74) *Attorney, Agent, or Firm*—Cohen Pontani Lieberman & Pavane LLP

(57) **CLAIM**

The ornamental design for a toy, as shown and described.

**DESCRIPTION**

FIG. 1 is a front perspective view showing the toy in the opened state;

FIG. 2 is a rear perspective view thereof;

FIG. 3 is a top view thereof;

FIG. 4 is a bottom view thereof;

FIG. 5 is a front view thereof;

FIG. 6 is a rear view thereof;

FIG. 7 is a left side view thereof;

FIG. 8 is a right side view thereof;

FIG. 9 is a front, perspective view of the toy in the closed state;

FIG. 10 is a top view thereof;

FIG. 11 is a bottom view thereof;

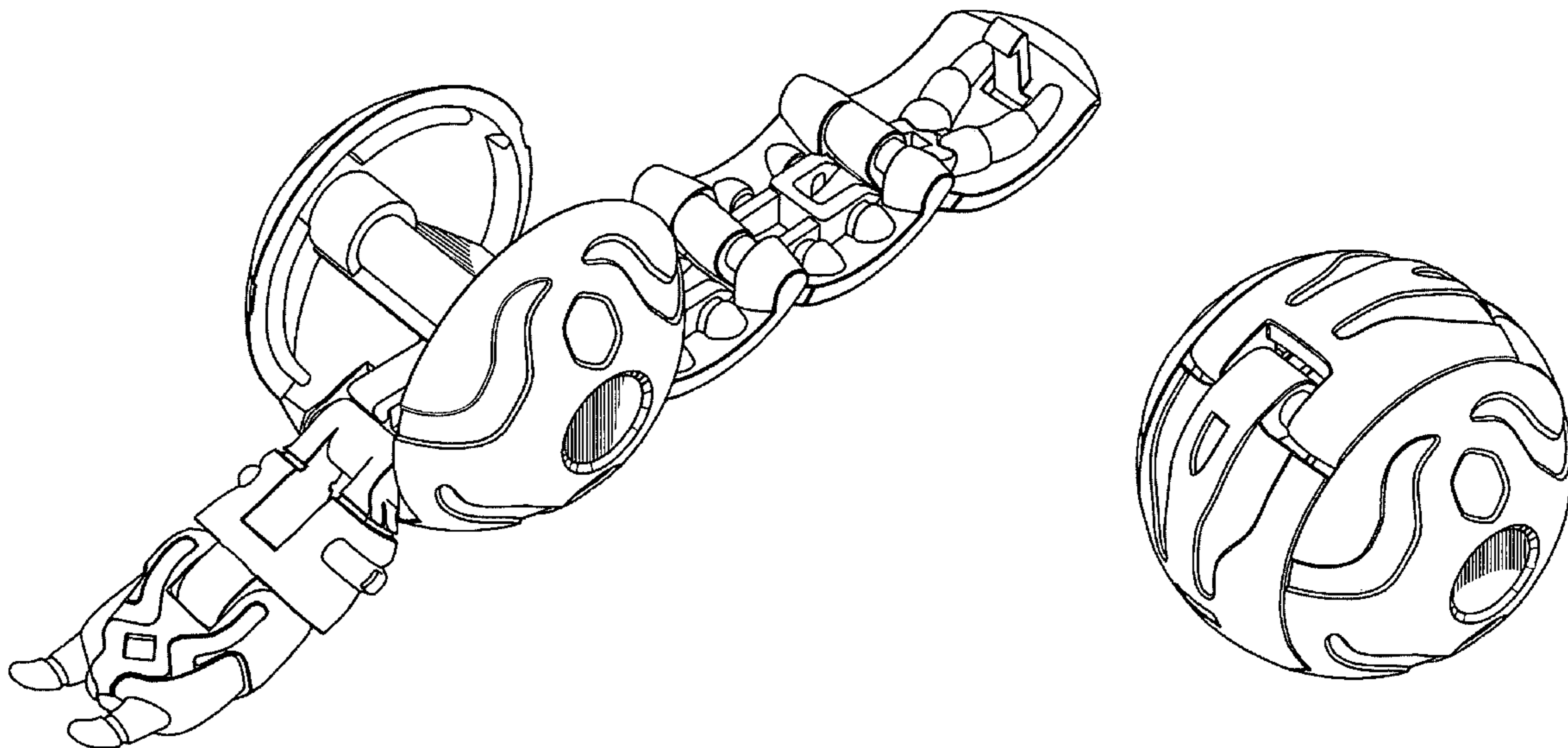
FIG. 12 is a front view thereof;

FIG. 13 is a rear view thereof;

FIG. 14 is a left side view thereof; and,

FIG. 15 is a right side view thereof.

**1 Claim, 11 Drawing Sheets**



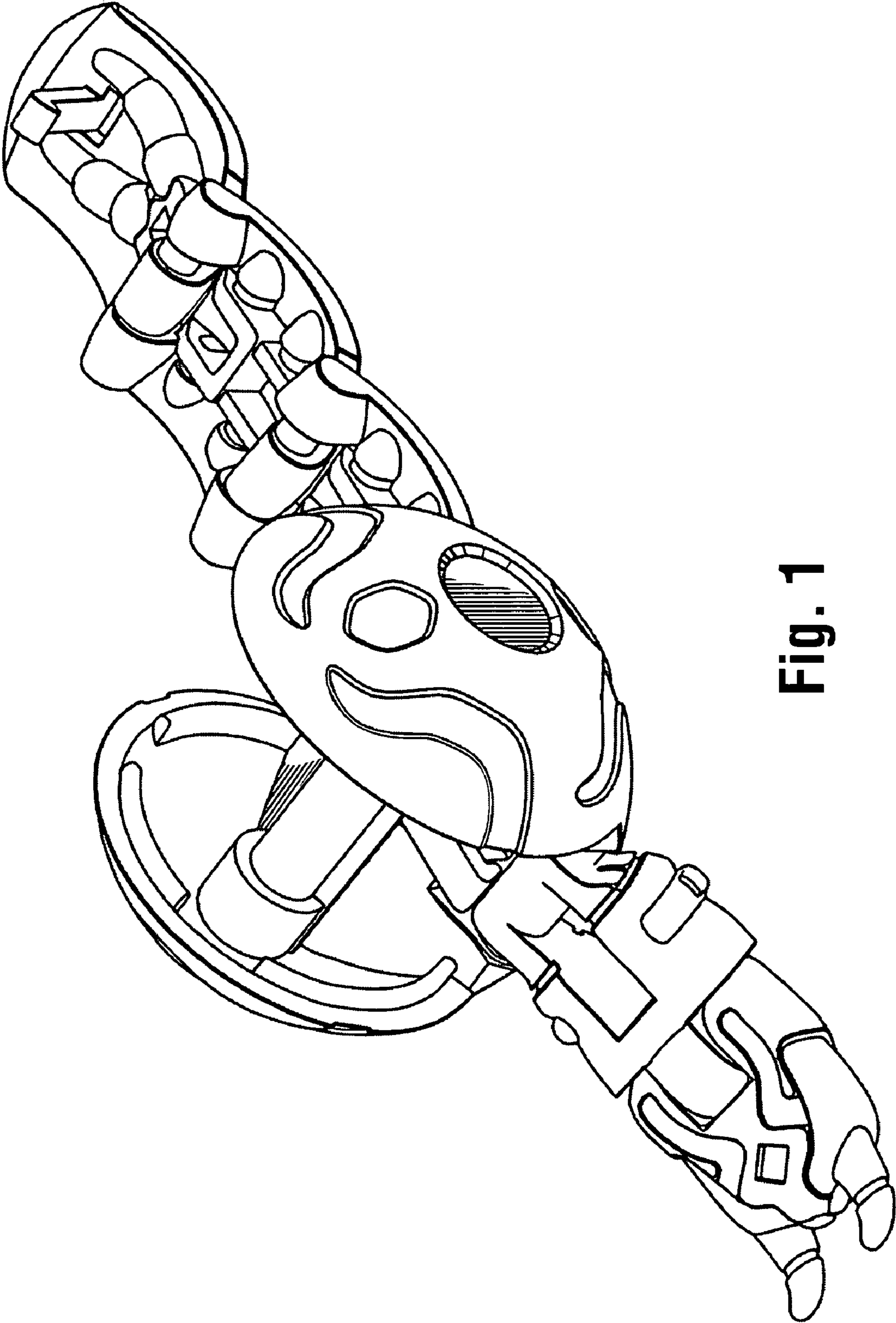


Fig. 1

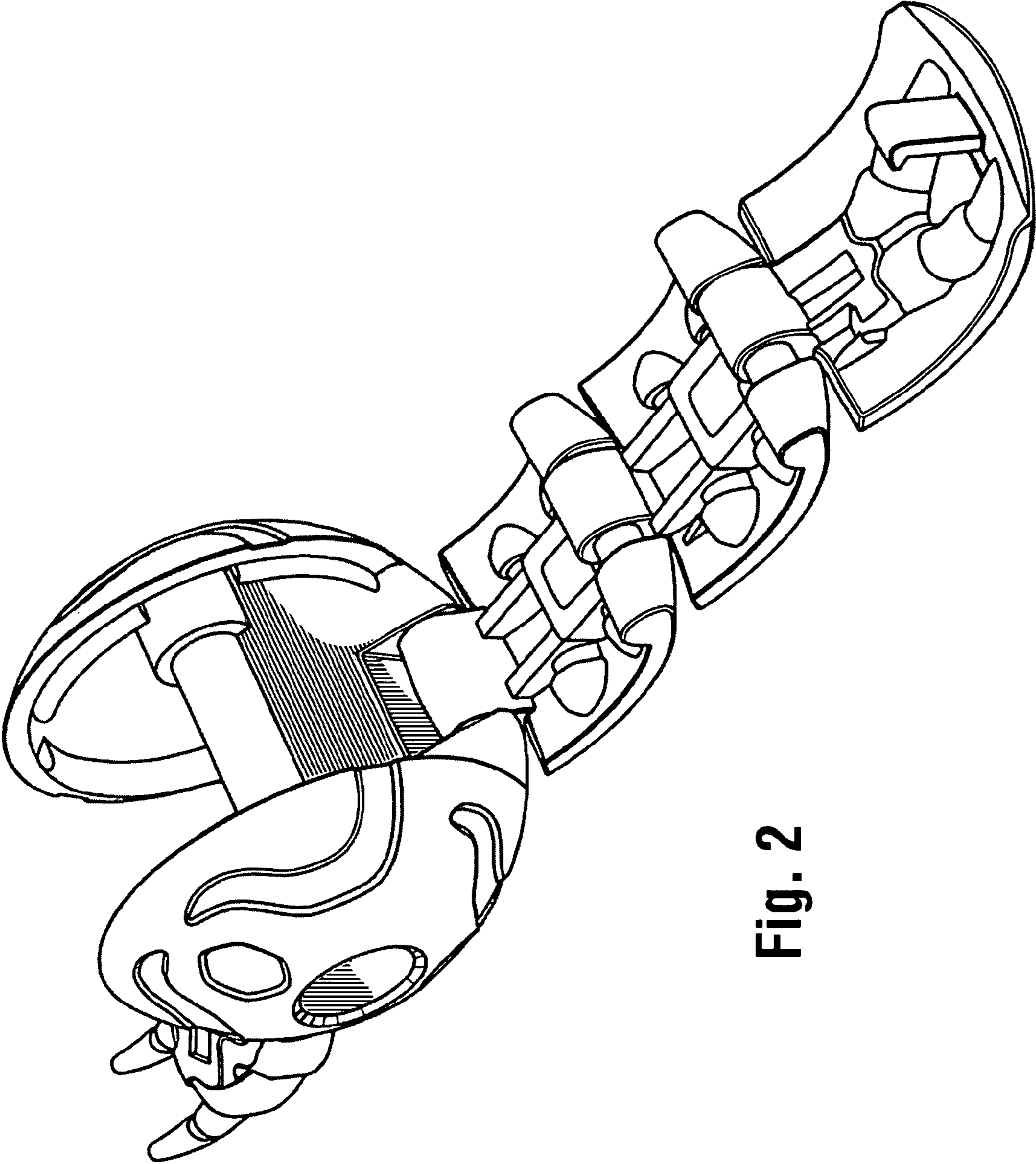


Fig. 2

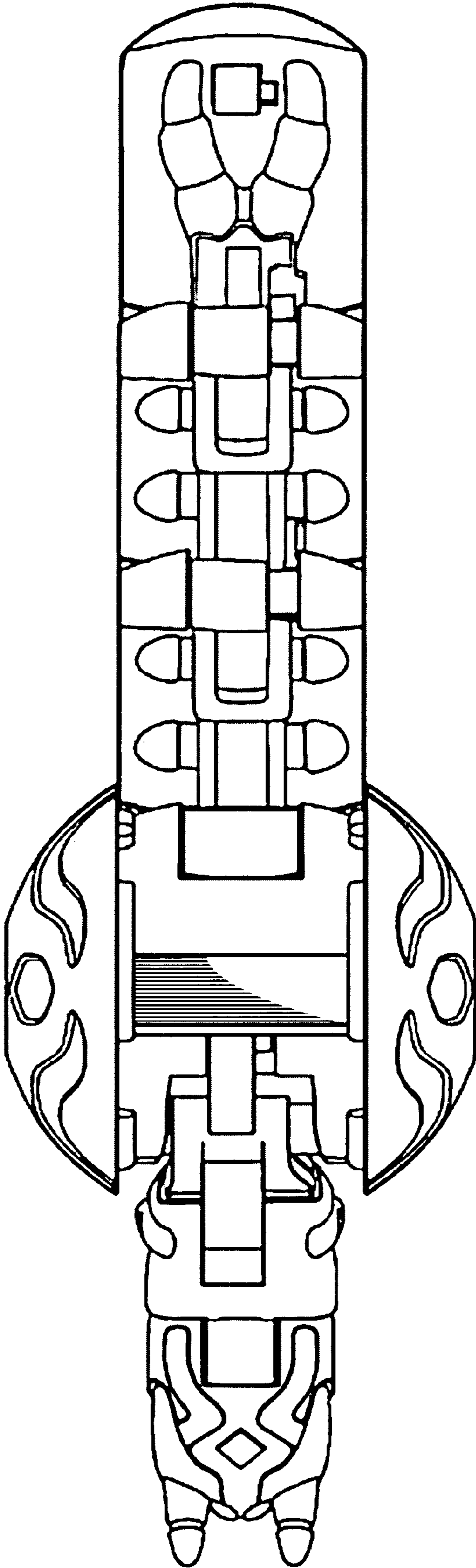


Fig. 3

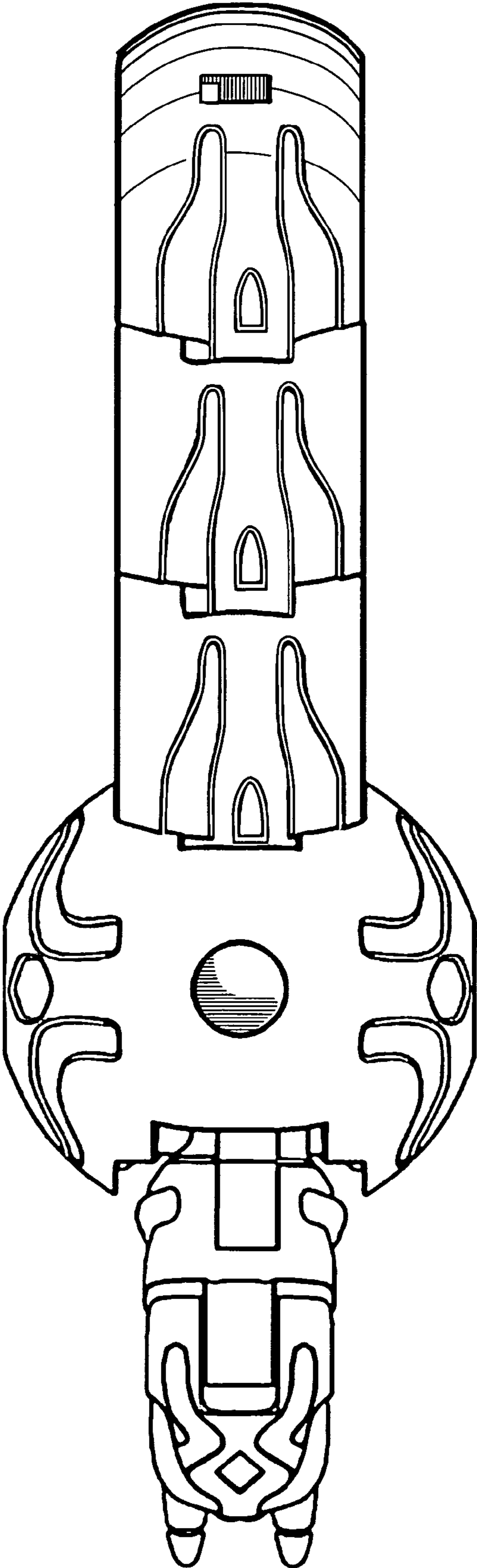


Fig. 4

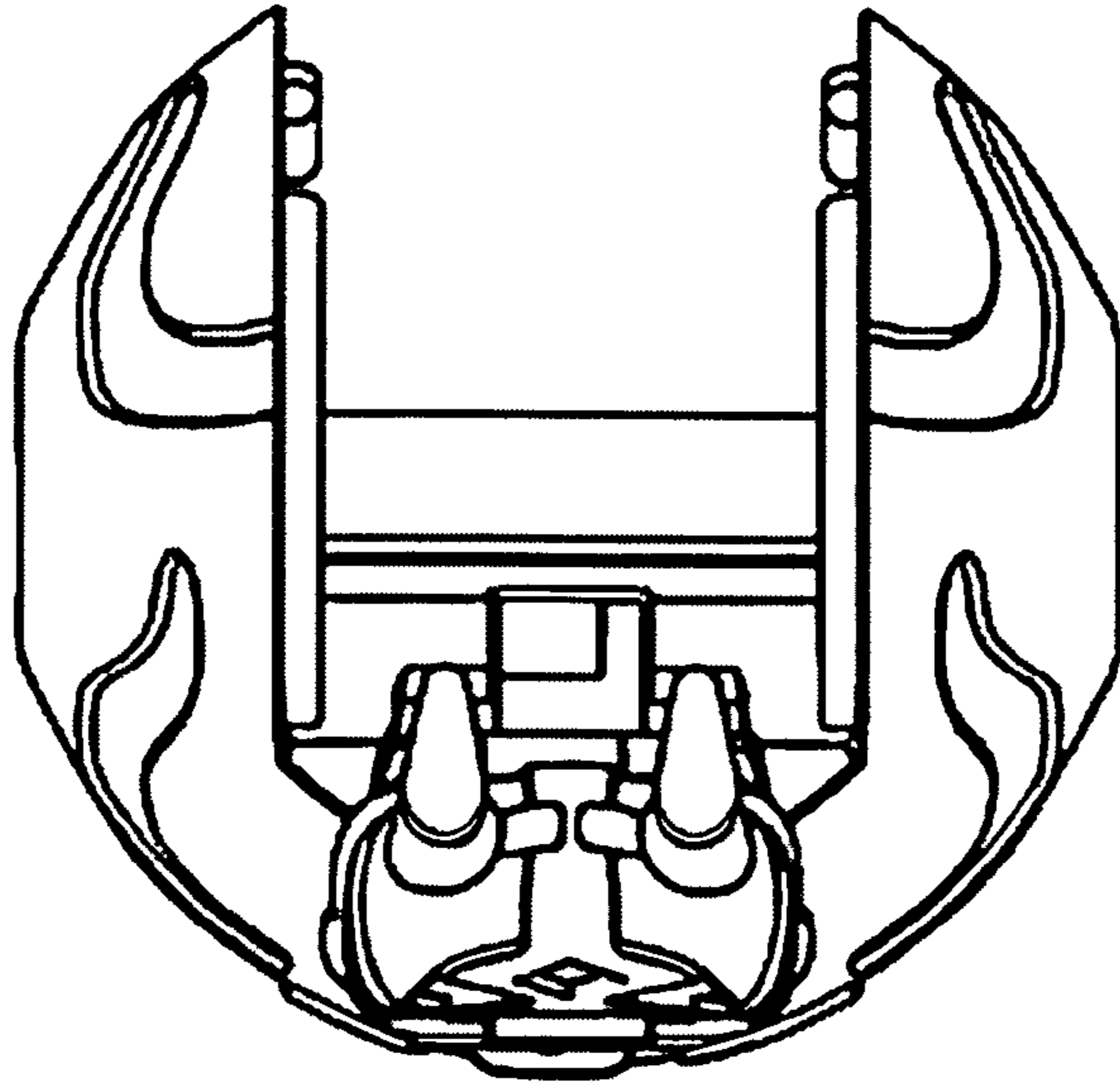


Fig. 5

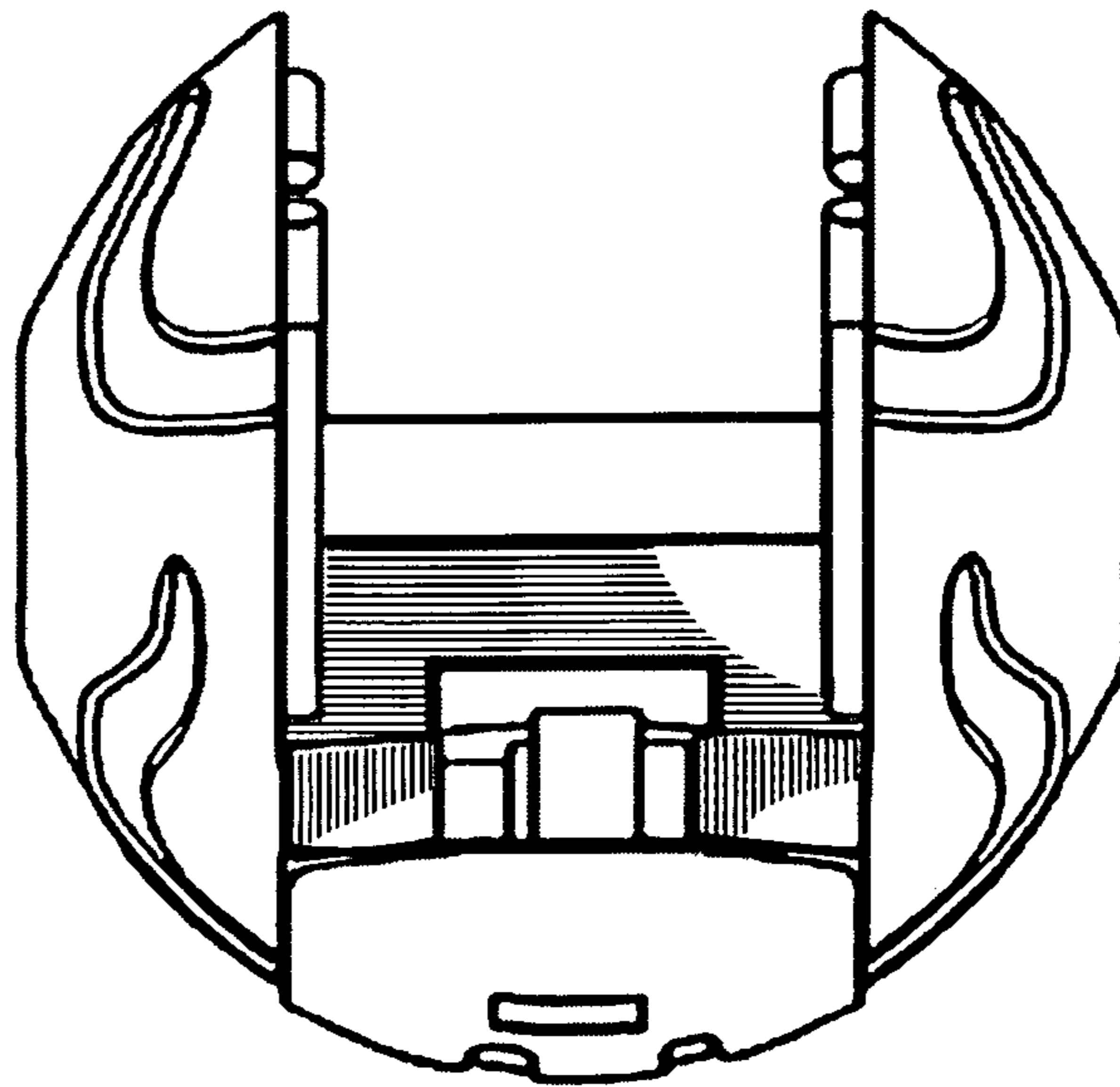


Fig. 6

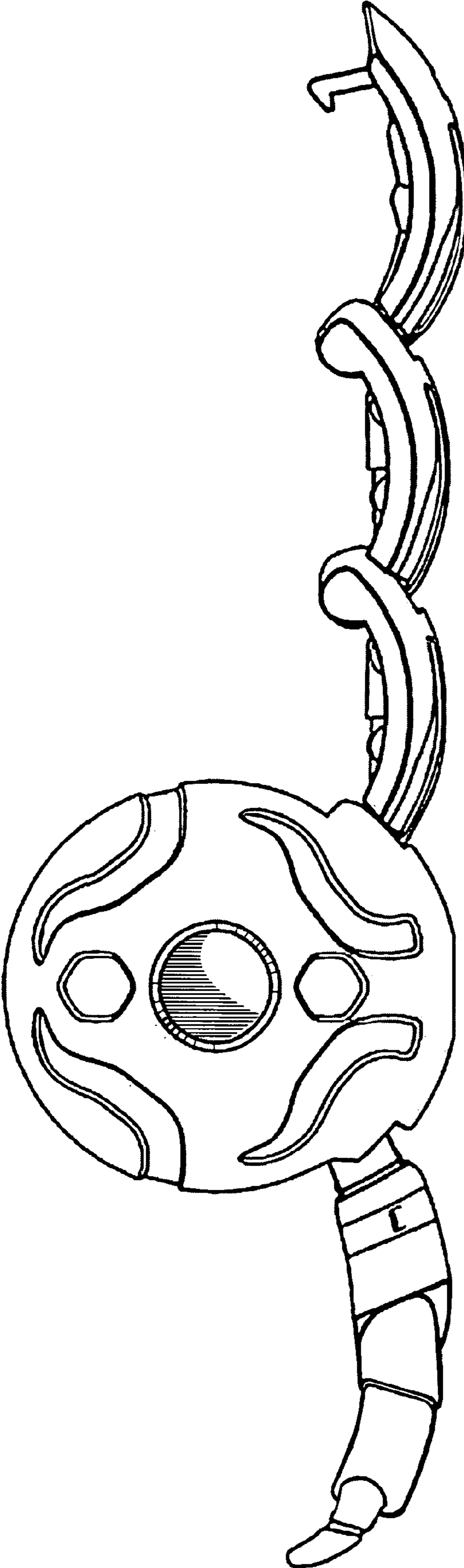


Fig. 7

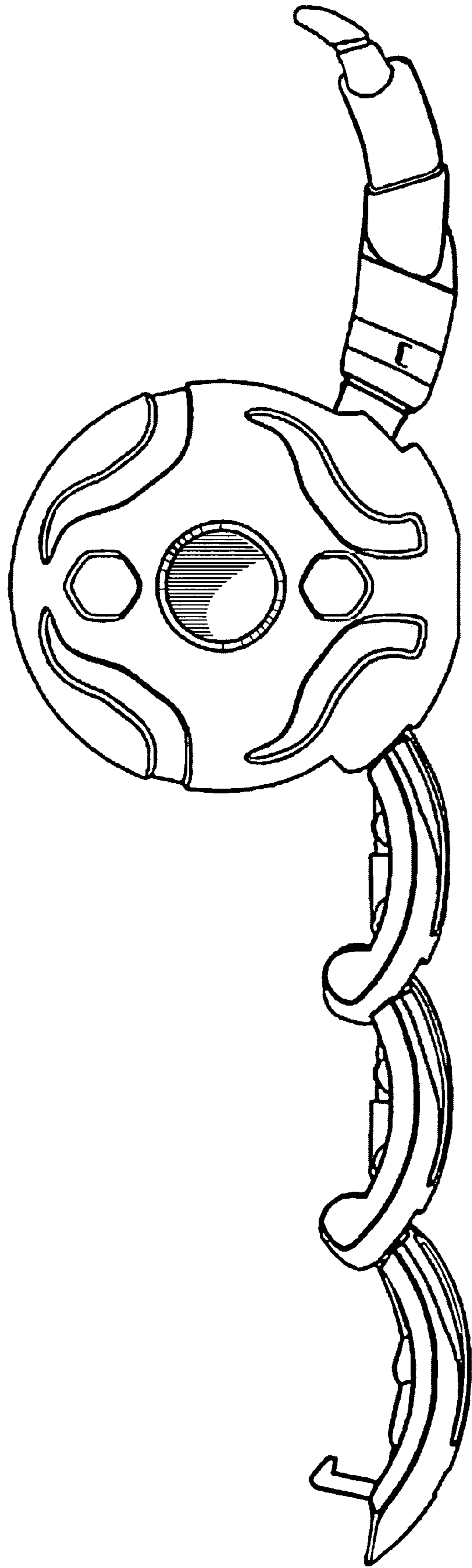
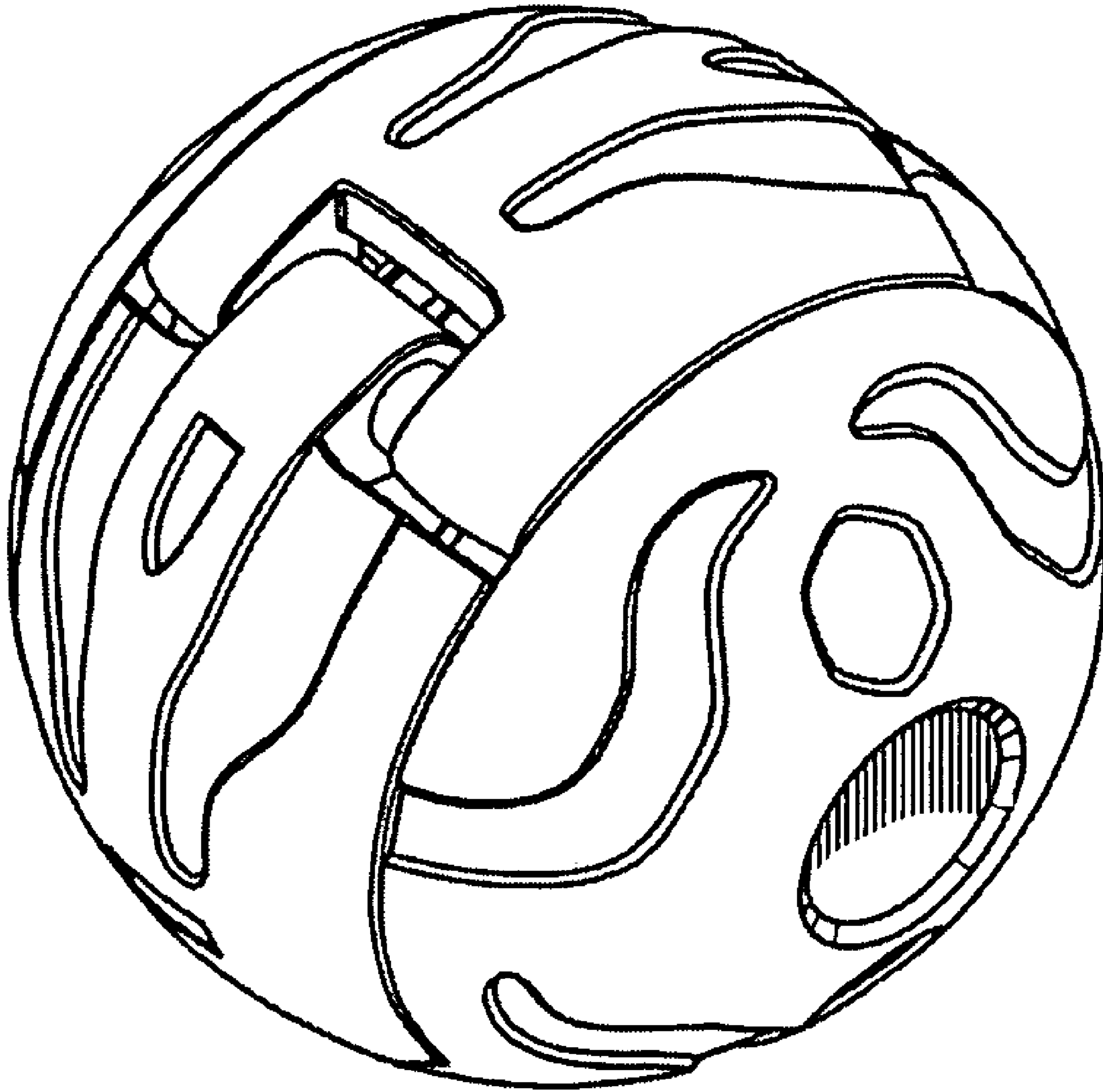
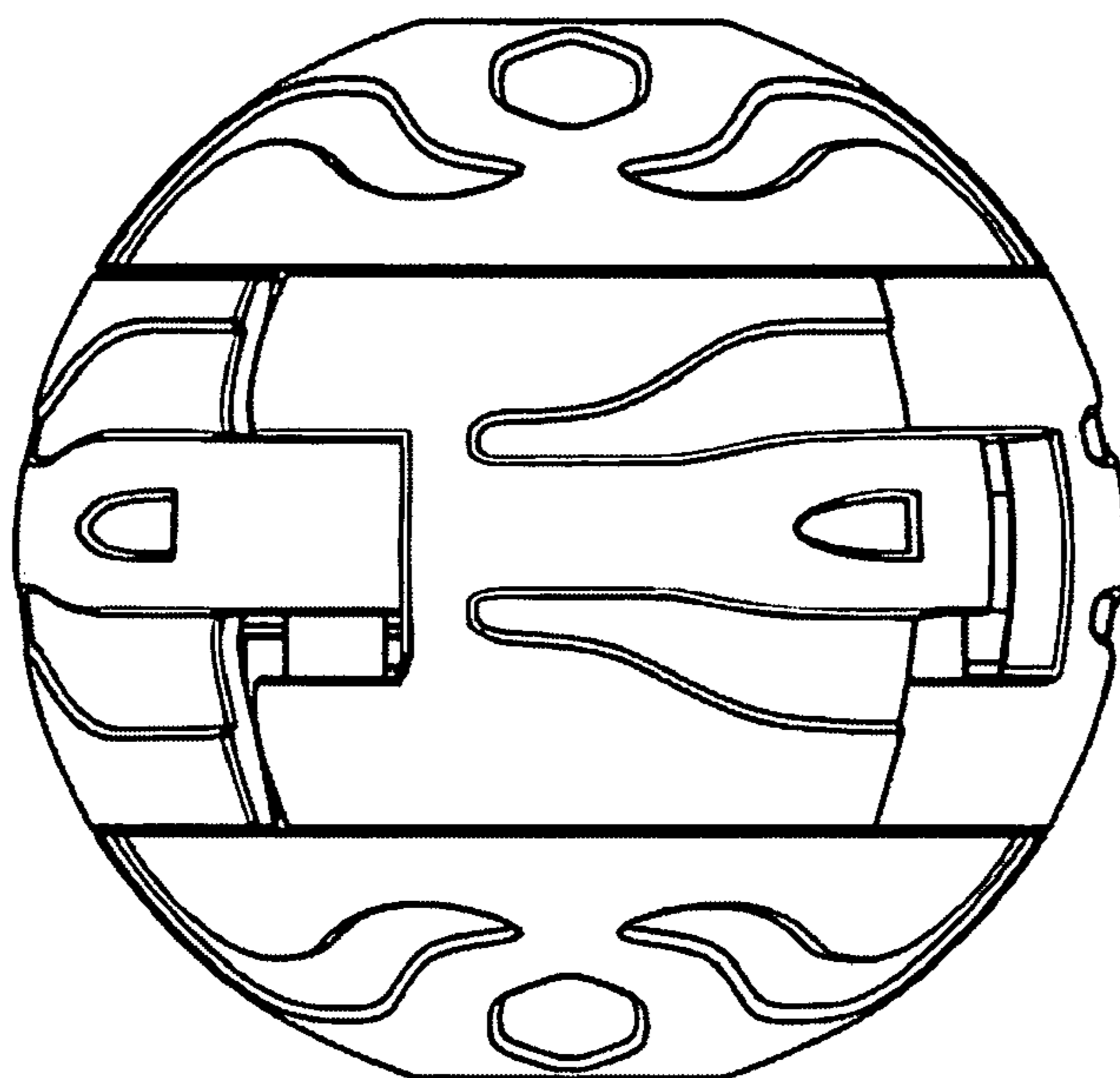


Fig. 8

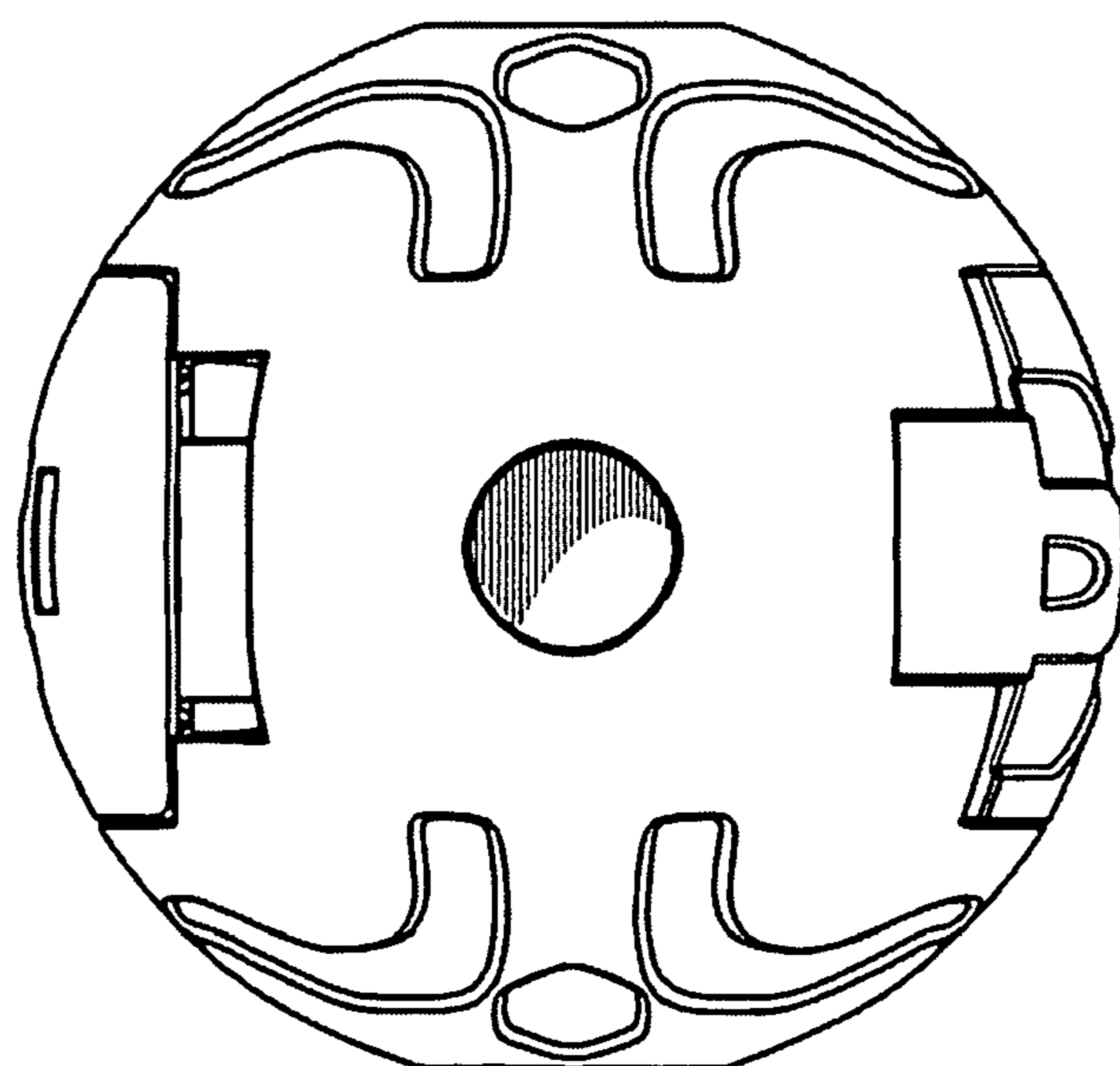




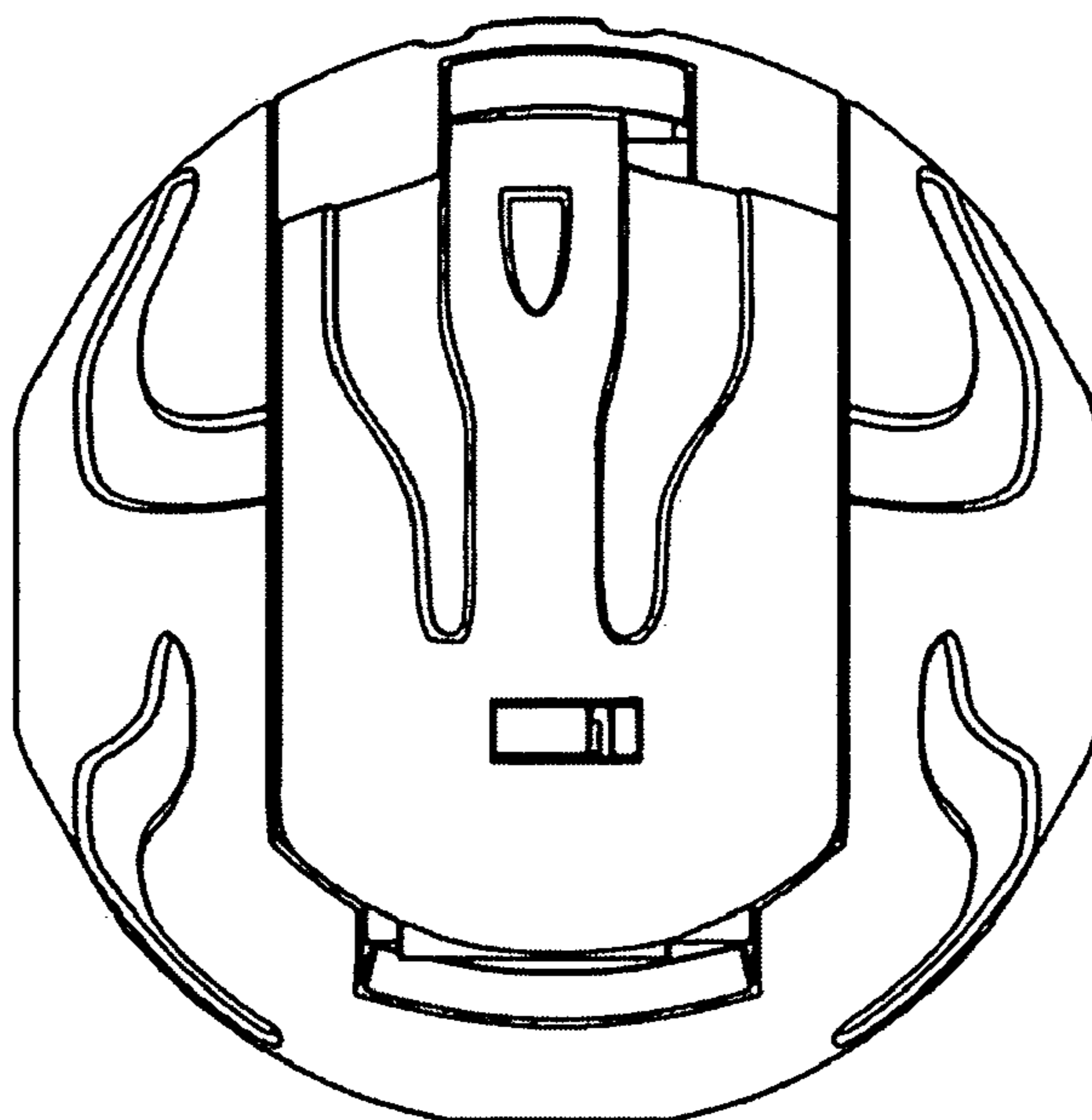
**Fig. 9**



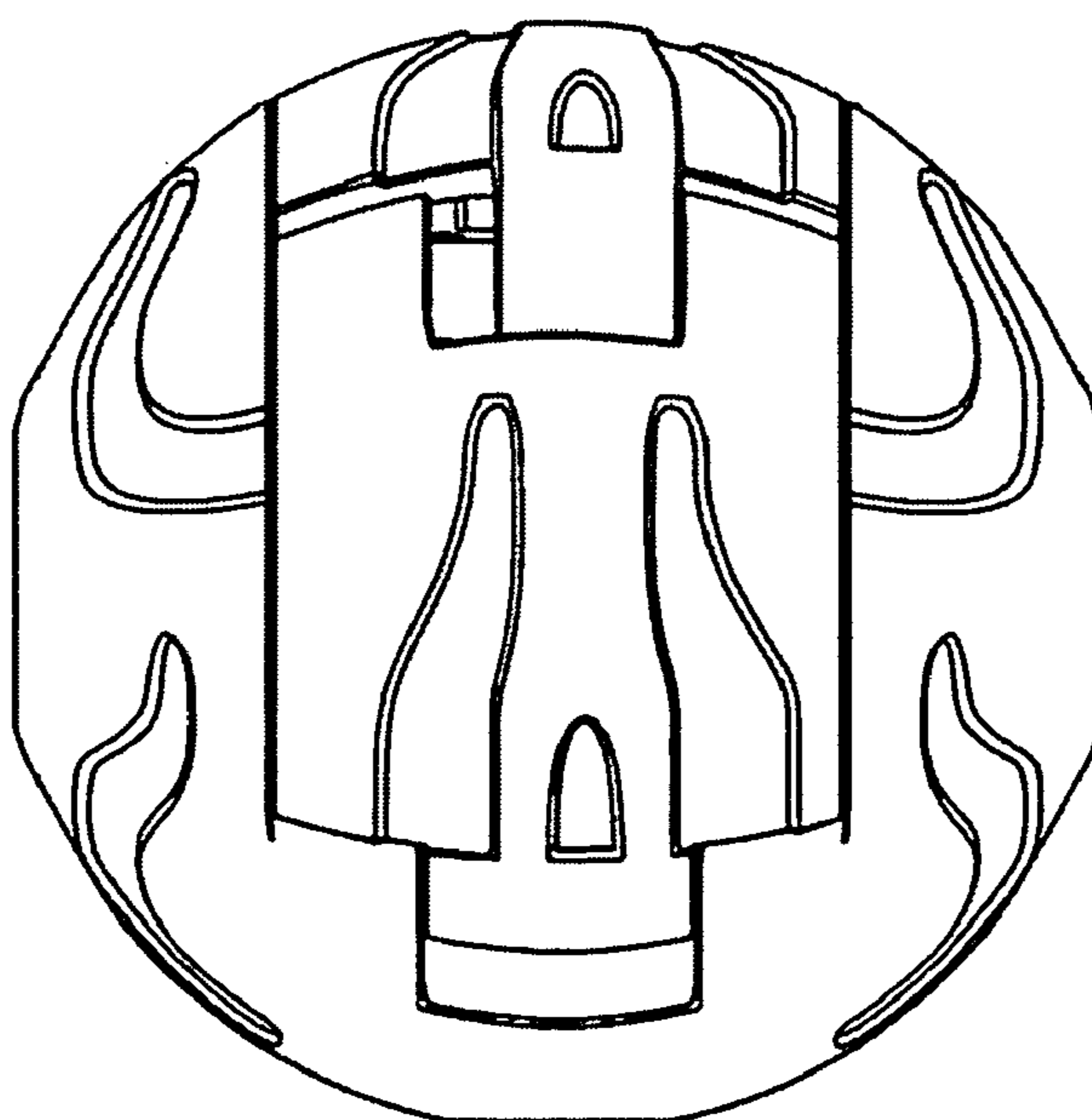
**Fig. 10**



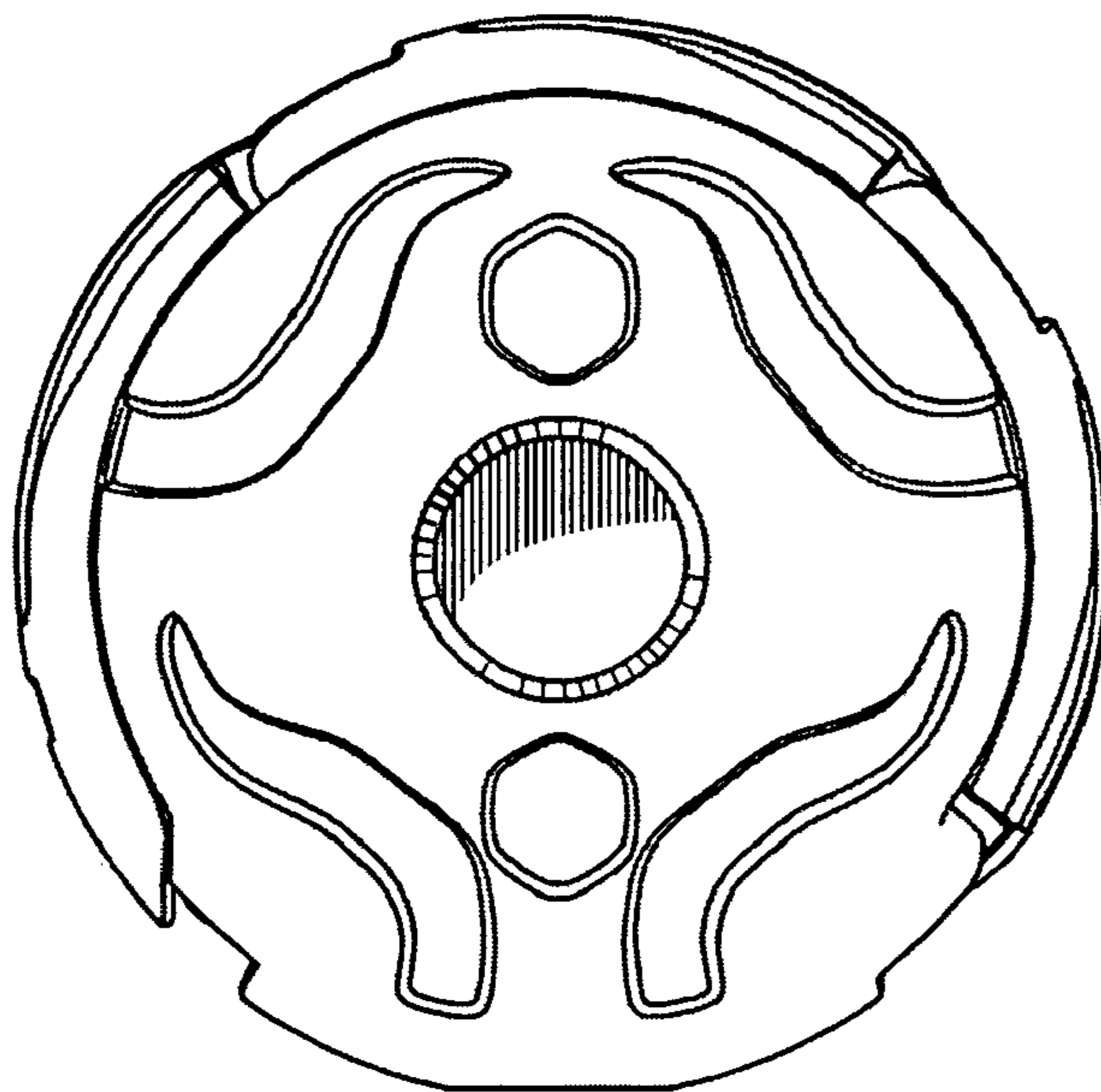
**Fig. 11**



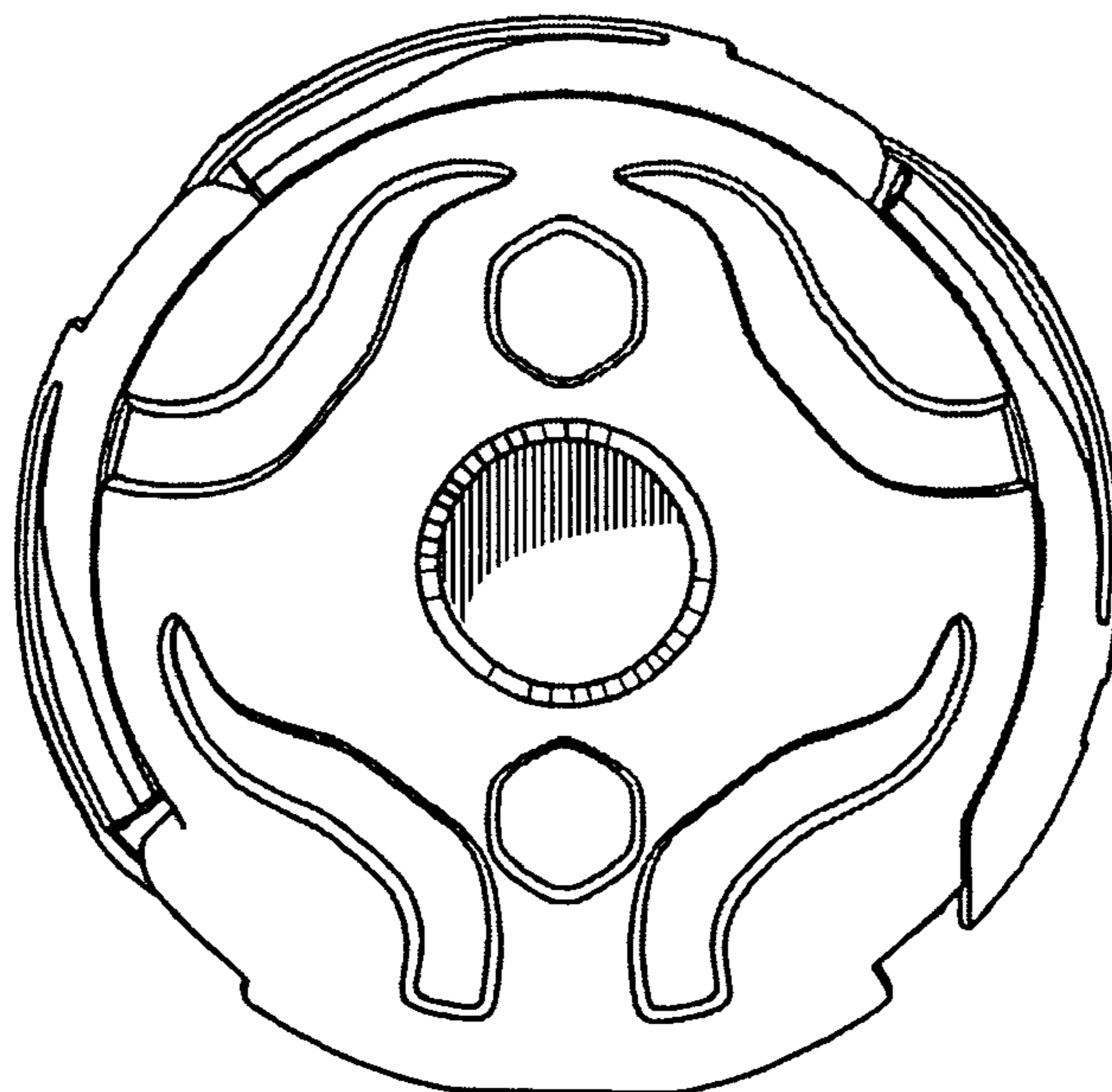
**Fig. 12**



**Fig. 13**



**Fig. 14**



**Fig. 15**