

US00D590892S

(12) **United States Design Patent**  
**Healy et al.**

(10) **Patent No.:** **US D590,892 S**  
(45) **Date of Patent:** **\*\* Apr. 21, 2009**

(54) **SIGN SUPPORT**

(75) Inventors: **Donall B. Healy**, New York, NY (US);  
**Marco Perry**, Brooklyn, NY (US); **Jim Best**,  
Hewitt, NJ (US); **Todd Brunner**, Brooklyn, NY (US)

(73) Assignee: **Visual Graphic Systems Inc.**, New York, NY (US)

(\*\*) Term: **14 Years**

(21) Appl. No.: **29/302,543**

(22) Filed: **Jan. 18, 2008**

(51) **LOC (9) Cl.** ..... **20-03**

(52) **U.S. Cl.** ..... **D20/43**

(58) **Field of Classification Search** ..... D20/10,  
D20/19, 21, 41-44, 99; 40/125.05, 605,  
40/607.11, 607.13, 607.14, 611.12, 611.13,  
40/640.02, 644, 647, 651, 653, 654, 658,  
40/660, 662, 666, 667; D6/328; D8/349,  
D8/382, 394, 395; D26/138; 24/37 R, 67.9,  
24/67.11, 455, 530; 84/422.3

See application file for complete search history.

(56) **References Cited**

U.S. PATENT DOCUMENTS

2,064,127	A	12/1936	Schneider	
D128,793	S	8/1941	Bonnell	
D175,481	S *	8/1955	Slavsky	..... D20/44
3,154,870	A *	11/1964	Hopp et al.	..... 40/605
D207,298	S	4/1967	Edwards	
4,506,416	A *	3/1985	Ohminato et al.	..... 24/67 R
D303,811	S	10/1989	de Witt	
D319,078	S *	8/1991	Hector, Sr.	..... D20/21
5,230,535	A	7/1993	Figlenski	
D350,566	S	9/1994	Pearson	
5,441,182	A *	8/1995	Sullivan	..... 223/85
D365,170	S *	12/1995	Ng et al.	..... D26/138
D372,499	S	8/1996	Carlson et al.	

D392,686	S	3/1998	Sarkisian et al.	
D435,270	S	12/2000	Healy	
D445,837	S	7/2001	Waterhouse	
D447,048	S *	8/2001	Beloff	..... D8/395
6,298,591	B1	10/2001	Healy	
6,308,446	B1	10/2001	Healy	
D450,776	S	11/2001	Albrecht	
D454,593	S *	3/2002	Kosir	..... D20/44
D454,918	S *	3/2002	Wamsley et al.	..... D20/43
D458,641	S	6/2002	Marcos et al.	
6,450,471	B1	9/2002	Wear	
D484,544	S	12/2003	Healy	
D485,313	S	1/2004	Healy	
D511,548	S *	11/2005	Wamsley	..... D20/43
2006/0117630	A1 *	6/2006	Raia et al.	..... 40/658

\* cited by examiner

*Primary Examiner*—Caron Veynar

*Assistant Examiner*—Mary Ann Calabrese

(74) *Attorney, Agent, or Firm*—Darby & Darby

(57) **CLAIM**

The ornamental design for sign support, as shown and described.

**DESCRIPTION**

FIG. 1 is a front-perspective view of a sign support according to the invention;

FIG. 2 is a rear elevational view of the sign support of FIG. 1;

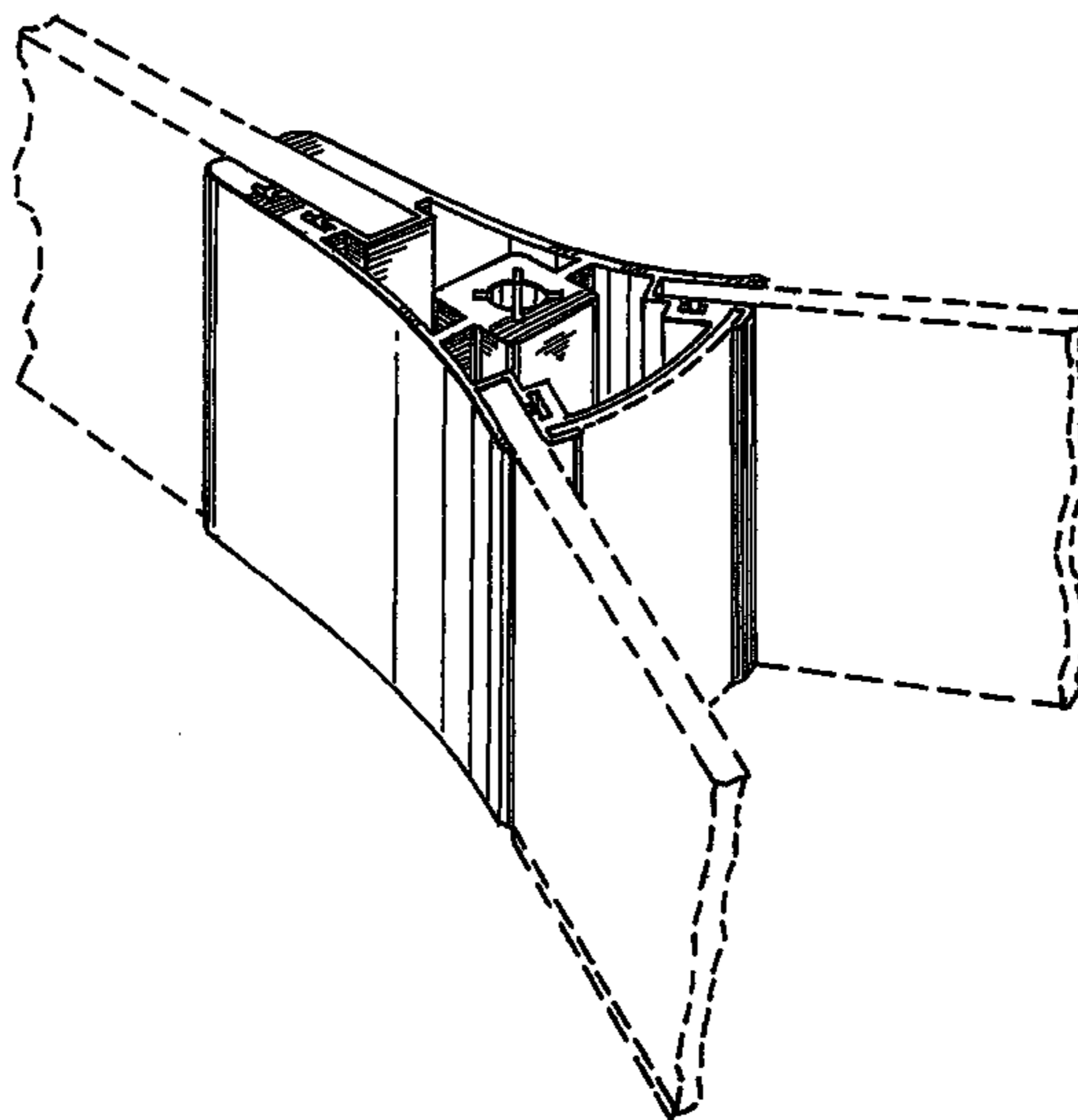
FIG. 3 is a left side elevational view of the sign support of FIG. 1, the right side elevational view being a mirror image thereof;

FIG. 4 is a front elevational view of the sign support of FIG. 1; and,

FIG. 5 is a top plan view of the sign support of FIG. 1.

In the drawings, the broken lines illustrate the environmental in which the sign support is used and forms no part of the claimed design.

**1 Claim, 2 Drawing Sheets**



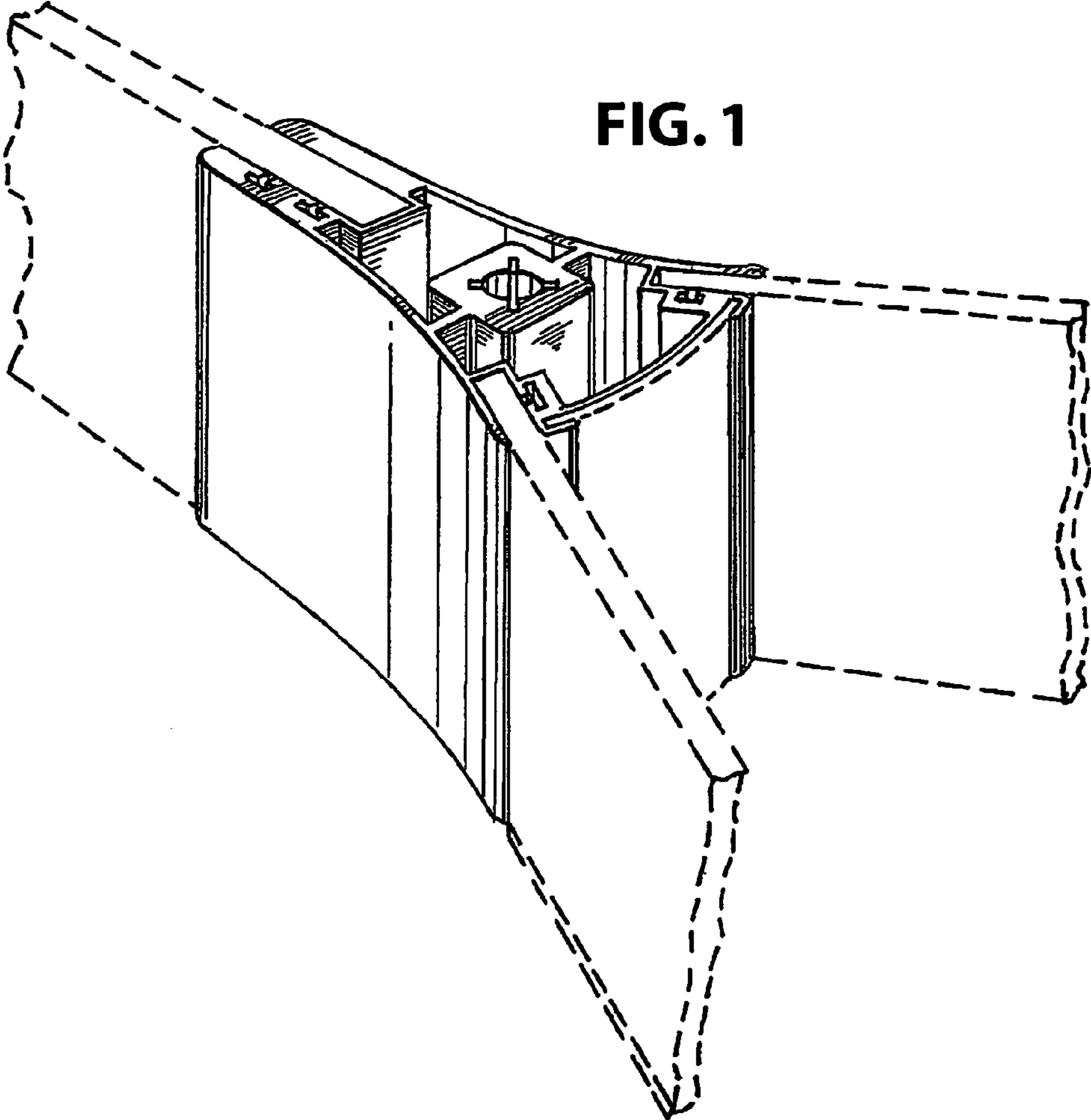
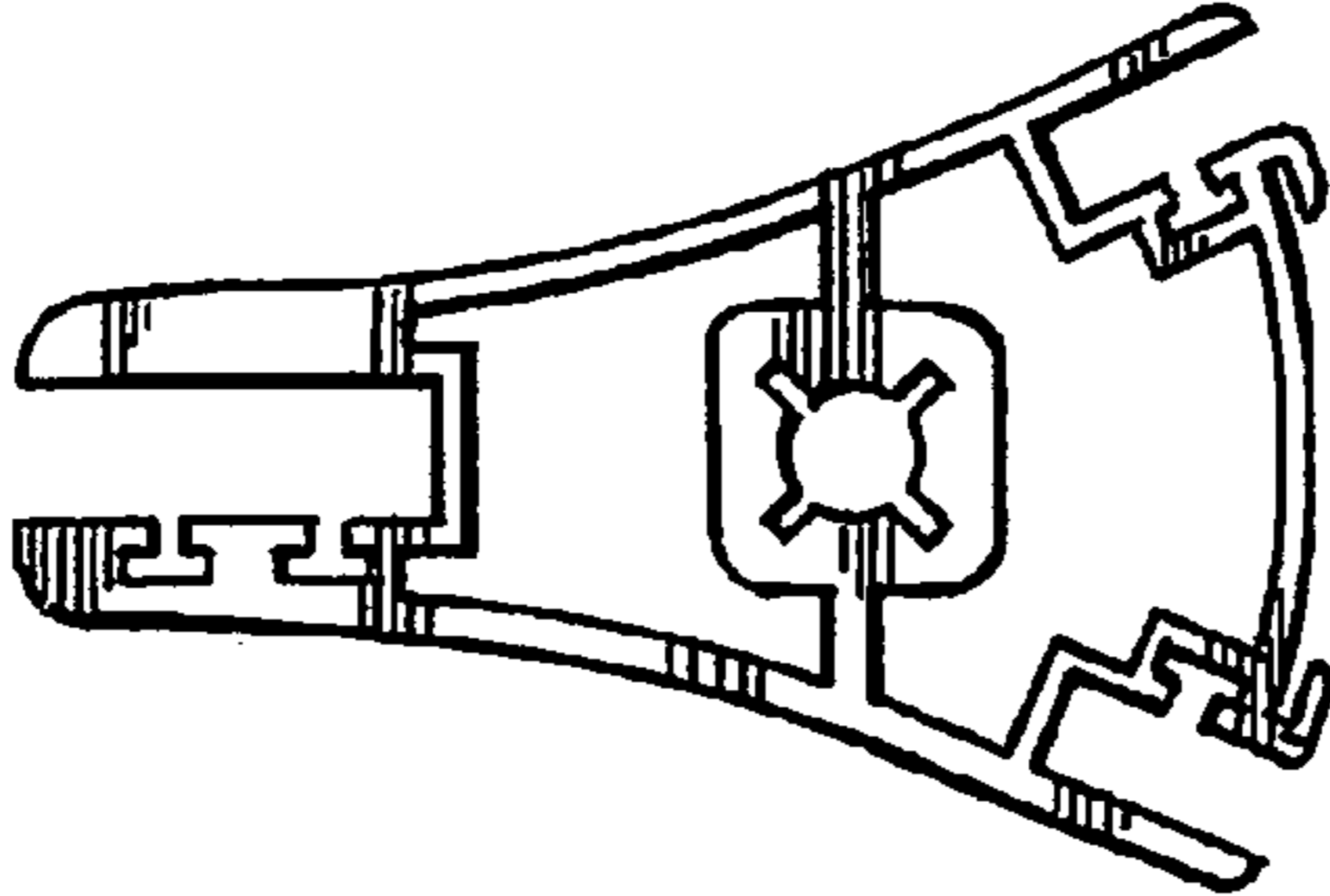
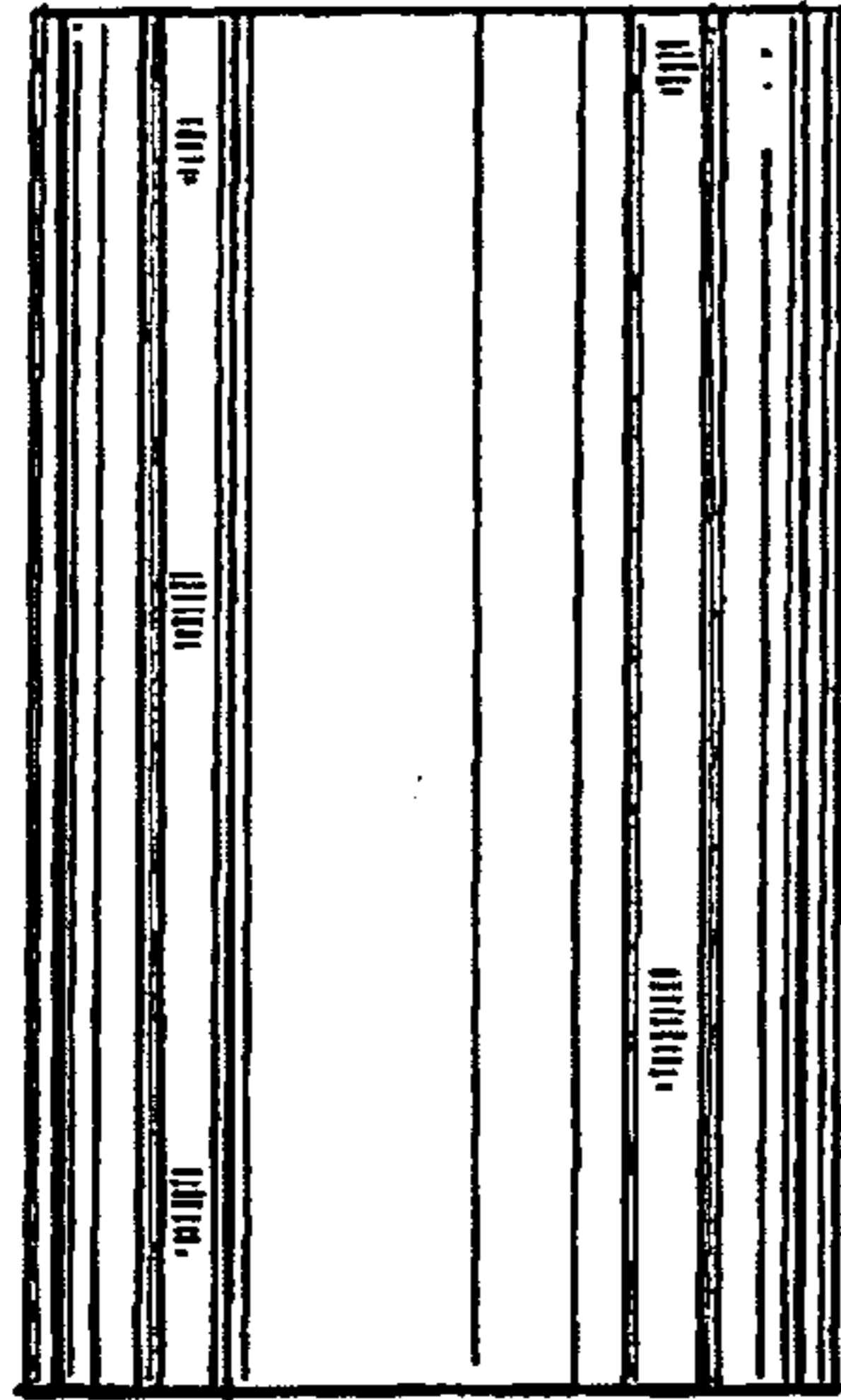
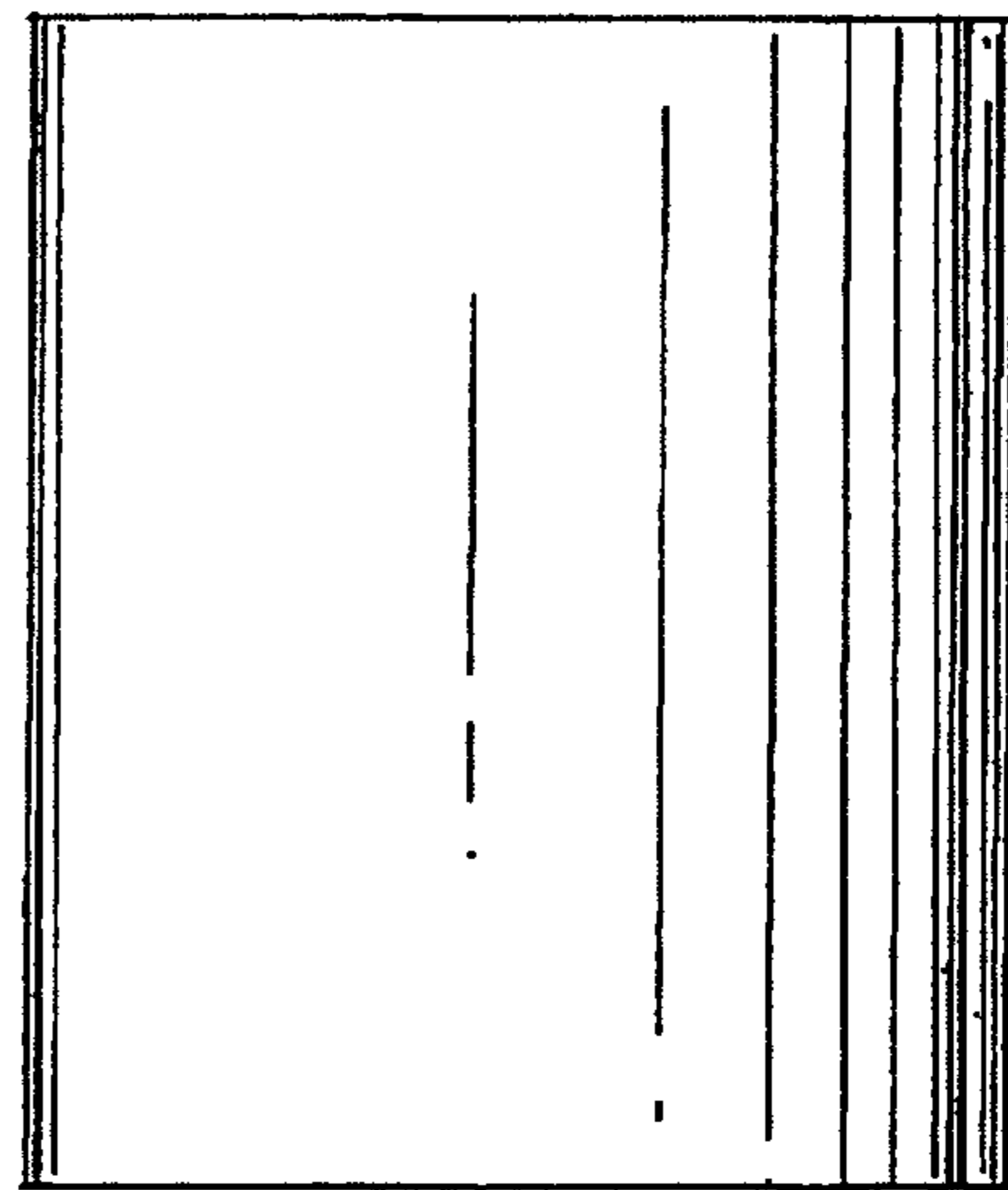


FIG. 2

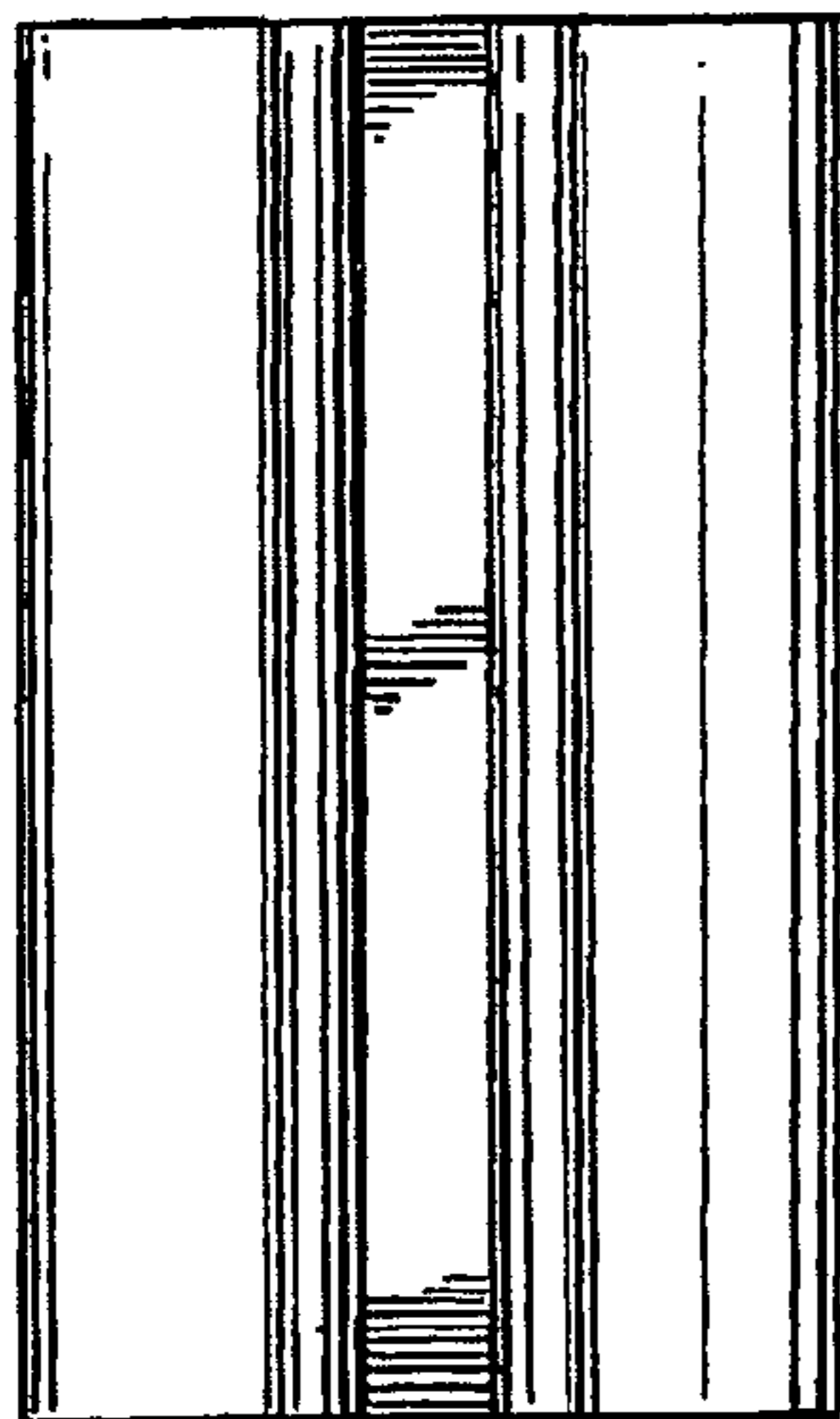




**FIG. 3**



**FIG. 4**



**FIG. 5**