



US00D590891S

(12) **United States Design Patent**
Lee

(10) **Patent No.:** **US D590,891 S**
(45) **Date of Patent:** **** Apr. 21, 2009**

(54) **DISPLAY**

(75) Inventor: **Chien-Kuo Lee**, Taoyuan (TW)

(73) Assignee: **Hannspre, Inc.**, Neihu District, Taipei (TW)

(**) Term: **14 Years**

(21) Appl. No.: **29/302,131**

(22) Filed: **Jan. 10, 2008**

(51) **LOC (9) Cl.** **20-02**

(52) **U.S. Cl.** **D20/42; D6/300**

(58) **Field of Classification Search** D20/10,
D20/17, 19, 29, 42, 43, 99; 40/209, 448,
40/541-547, 549, 564, 584, 616, 617, 700,
40/711, 714, 716, 732, 737, 768, 771, 798;
D6/300, 303, 306, 308, 310, 314; D12/193;
D14/125, 126, 336, 371, 374, 376
See application file for complete search history.

(56) **References Cited**

U.S. PATENT DOCUMENTS

691,002 A * 1/1902 Hammer 40/584
D158,278 S * 4/1950 Sargent D20/10
2,590,763 A * 3/1952 Floyd et al. 40/209

5,109,619 A * 5/1992 Noggle 40/737
D332,596 S * 1/1993 Corey D12/193
D344,636 S * 3/1994 Hunter D6/303
D377,161 S * 1/1997 Shuen D12/193
D532,760 S * 11/2006 Chia D14/126

* cited by examiner

Primary Examiner—Janice E Seeger

Assistant Examiner—Mary Ann Calabrese

(74) *Attorney, Agent, or Firm*—Schmeiser, Olsen & Watts

(57) **CLAIM**

The ornamental design for a display, as shown and described.

DESCRIPTION

FIG. 1 is a front perspective view of a display showing my new design;

FIG. 2 is a front elevational view thereof;

FIG. 3 is a rear elevational view thereof;

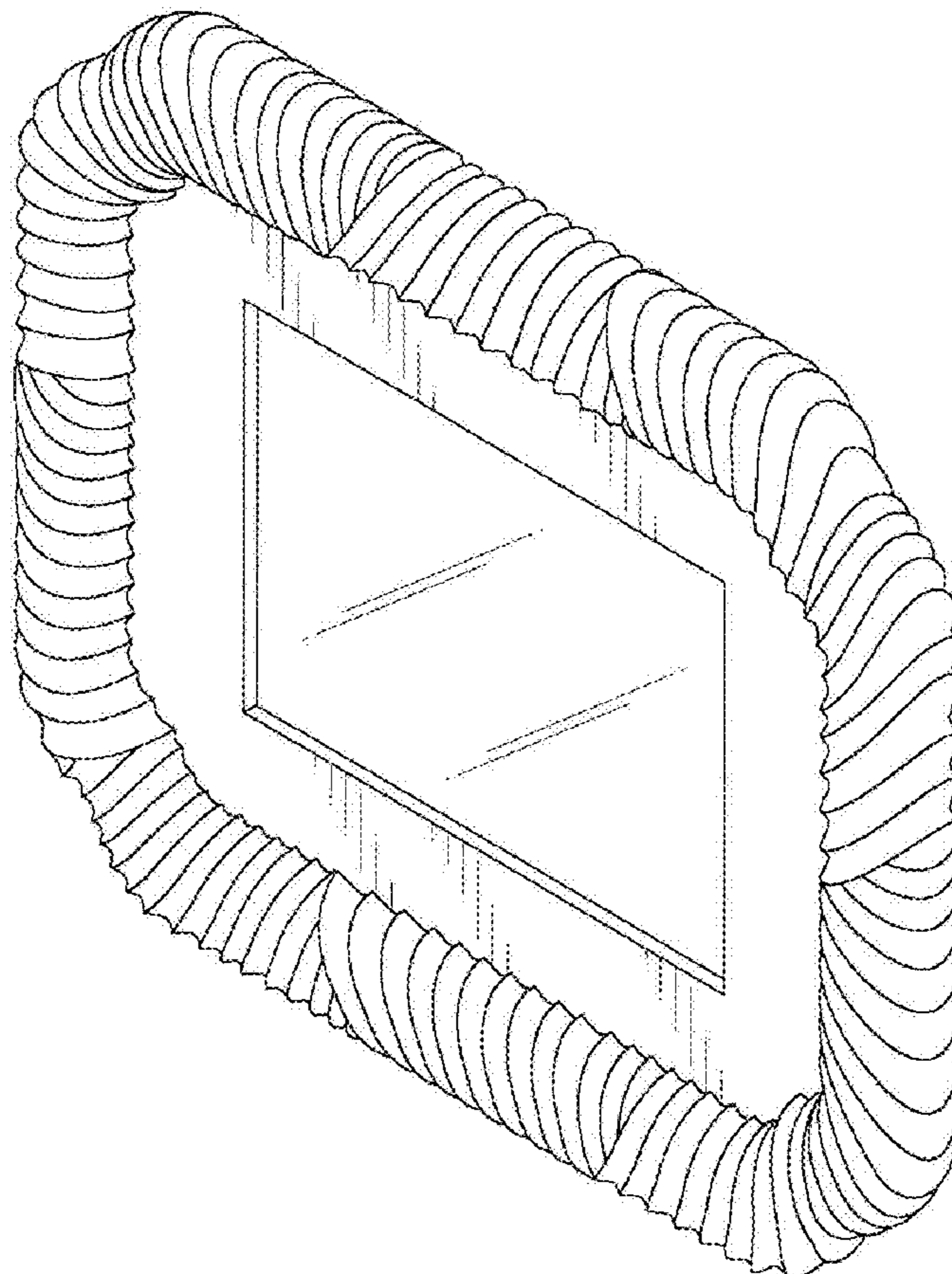
FIG. 4 is a left side elevational view thereof;

FIG. 5 is a right side elevational view thereof;

FIG. 6 is a top plan view thereof; and,

FIG. 7 is a bottom plan view thereof.

1 Claim, 3 Drawing Sheets



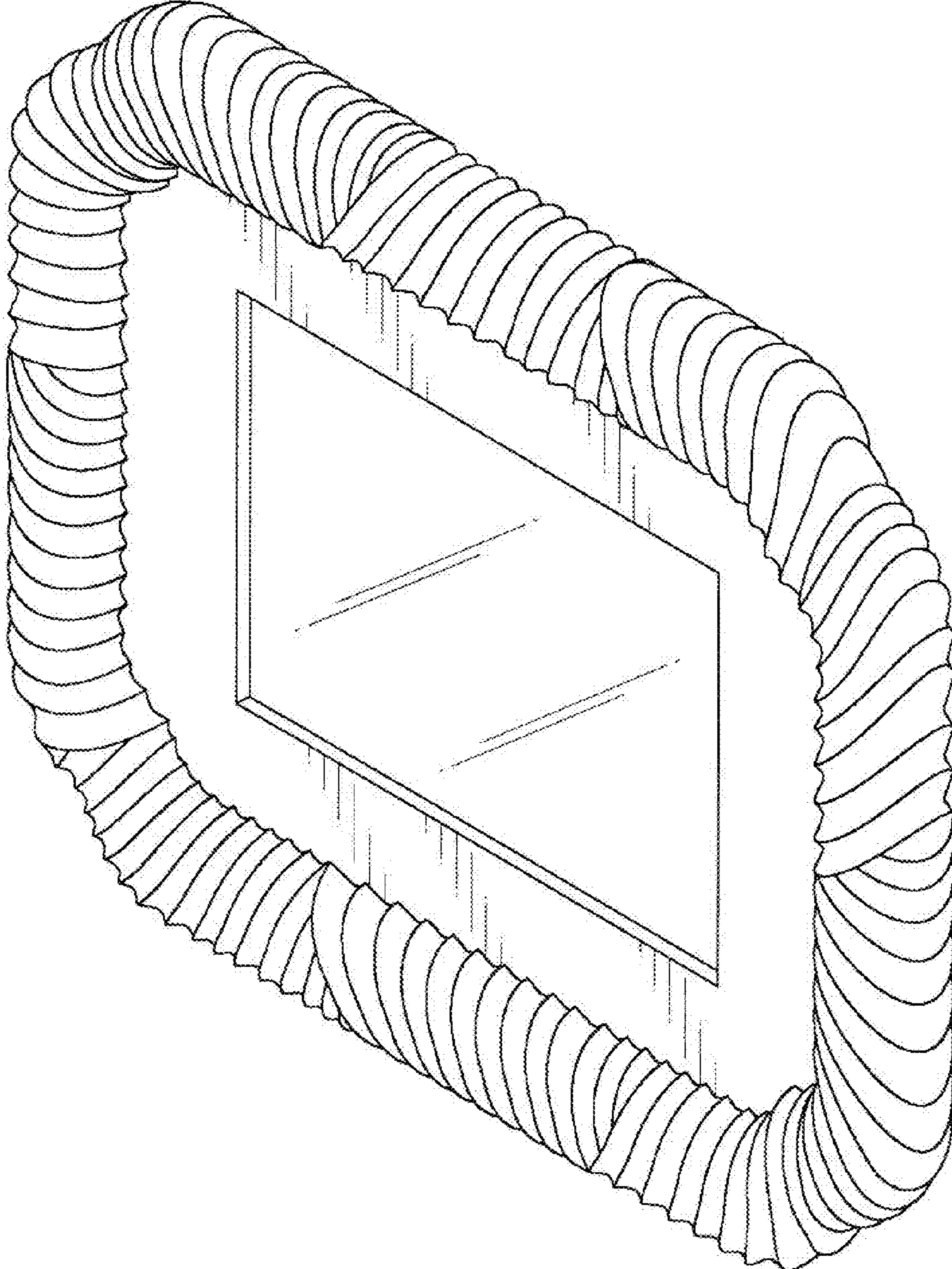


FIG. 1

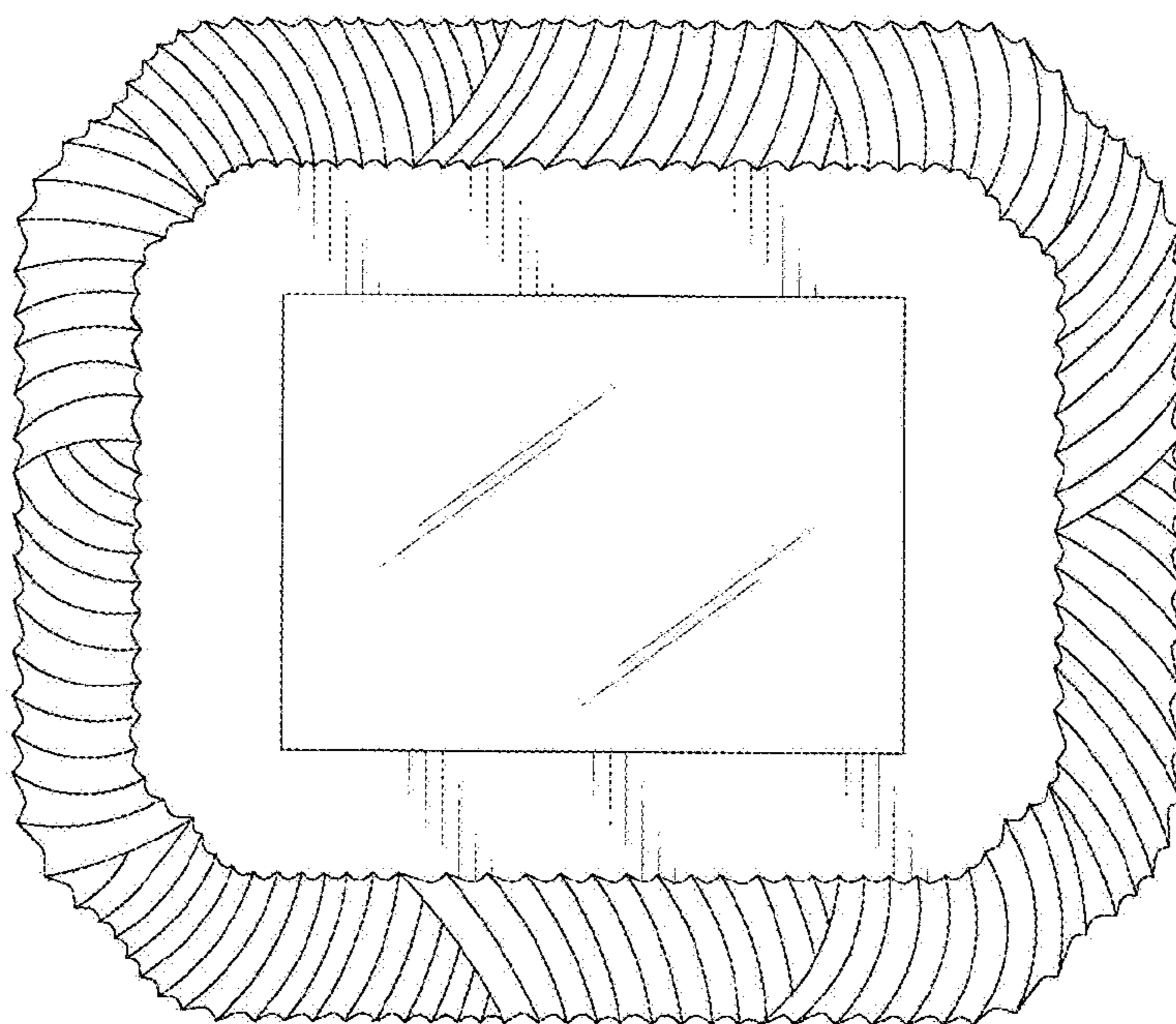


FIG. 2

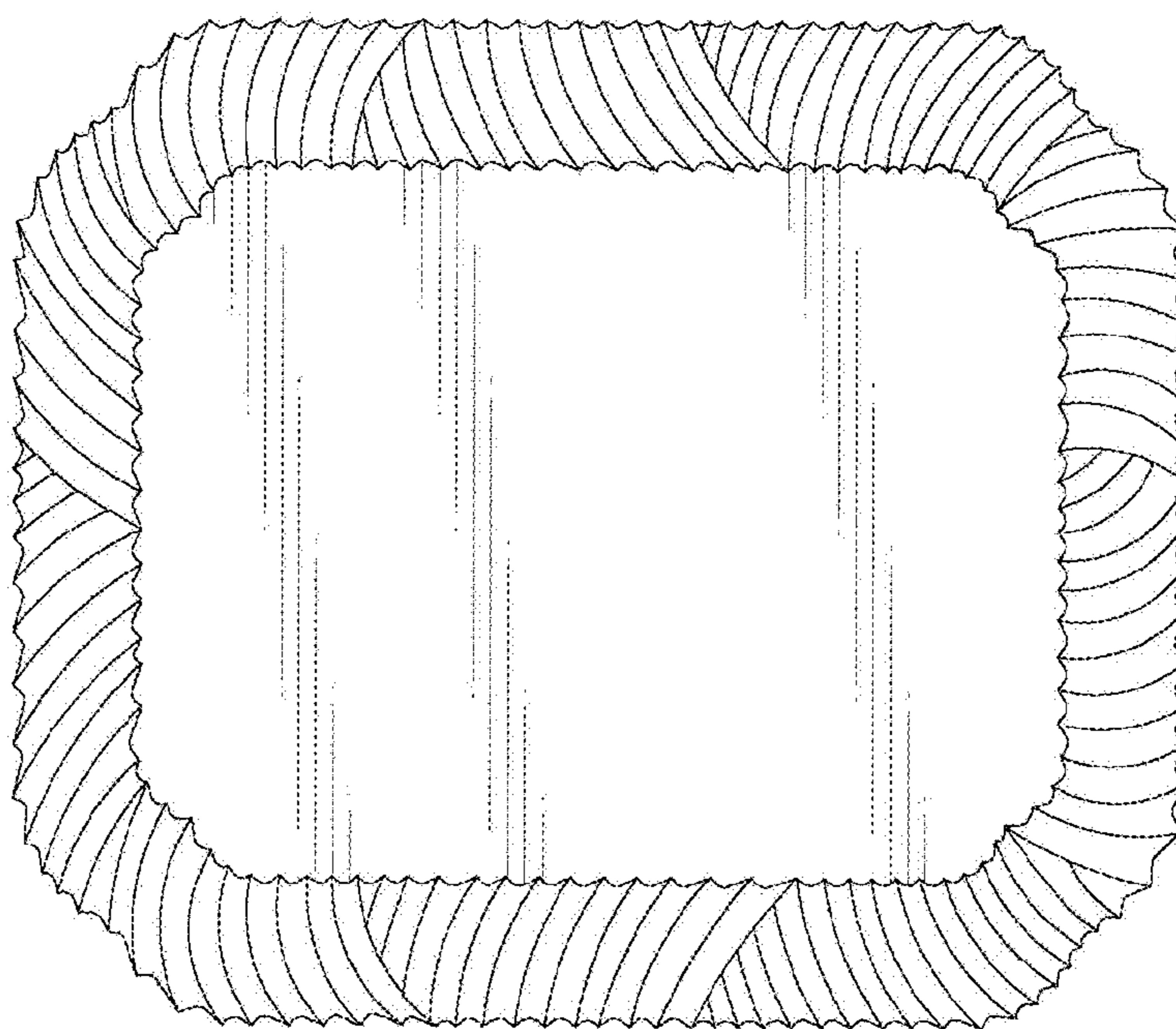


FIG. 3

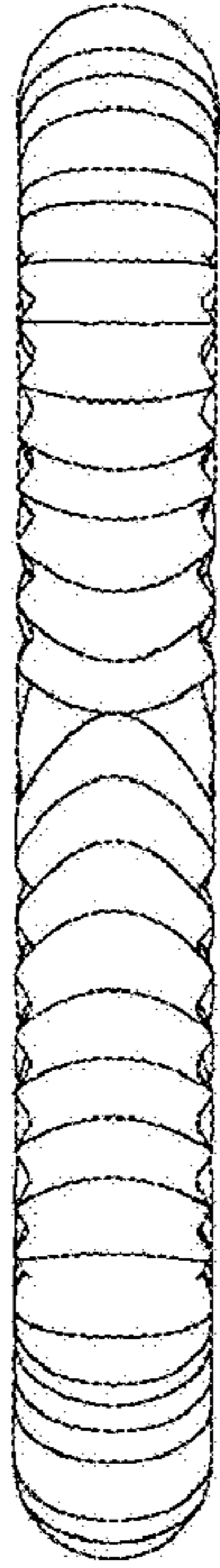


FIG. 4



FIG. 5

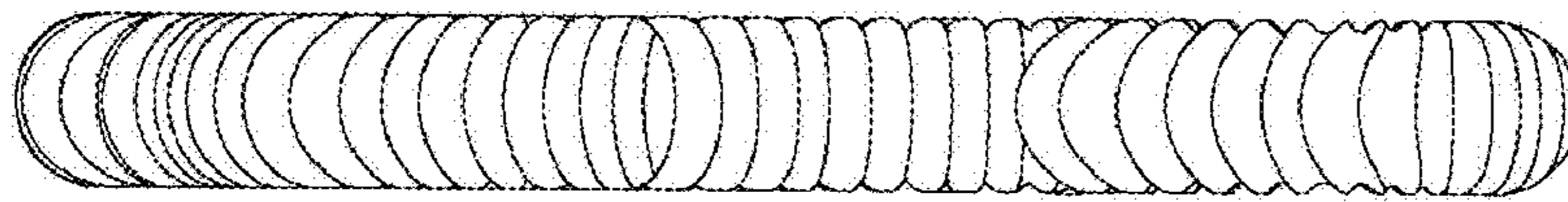


FIG. 6

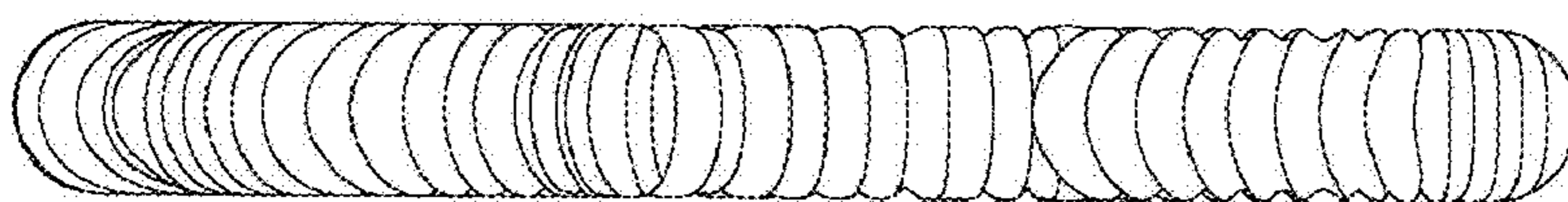


FIG. 7