



US00D590883S

(12) **United States Design Patent**
Dong

(10) **Patent No.:** **US D590,883 S**
(45) **Date of Patent:** **** Apr. 21, 2009**

(54) **STYLUS PEN**

(75) Inventor: **Hong Dong**, Diamond Bar, CA (US)

(73) Assignee: **Valor Communication, Inc.**, City of Industry, CA (US)

(**) Term: **14 Years**

(21) Appl. No.: **29/307,670**

(22) Filed: **May 5, 2008**

(51) **LOC (9) Cl.** **19-06**

(52) **U.S. Cl.** **D19/55**

(58) **Field of Classification Search** D19/35,
D19/36, 41-51, 53-57; 24/11 R, 11 F, 11 P;
401/52, 99, 100, 104-109, 192, 195, 196;
D14/411, 431; 178/19.04

See application file for complete search history.

(56) **References Cited**

U.S. PATENT DOCUMENTS

554,189	A *	2/1896	Kochendarfer	401/214
D312,391	S *	11/1990	Vitrac	D19/51
D317,625	S *	6/1991	Itoh	D19/57
D325,221	S *	4/1992	Ito	D19/57
D335,144	S *	4/1993	Katami et al.	D19/57
D395,672	S *	6/1998	Navarro	D19/48
D436,623	S *	1/2001	Schmidt et al.	D19/46
D485,300	S *	1/2004	Schung	D19/51
D499,448	S *	12/2004	Rommel	D19/50

D526,021	S *	8/2006	Lecce	D19/51
D545,365	S *	6/2007	Lecce	D19/51
D546,883	S *	7/2007	Briggl	D19/51
D563,469	S *	3/2008	Qiu et al.	D19/44

FOREIGN PATENT DOCUMENTS

WO	DM/051645	*	4/2000
WO	DM/062436	*	10/2002

* cited by examiner

Primary Examiner—Elizabeth A Albert

(74) *Attorney, Agent, or Firm*—Thomas I. Rozsa

(57) **CLAIM**

The ornamental design for a stylus pen, as shown and described.

DESCRIPTION

FIG. 1 is a perspective view of a stylus pen, showing my design.

FIG. 2 is a front elevational view;

FIG. 3 is a rear elevational view;

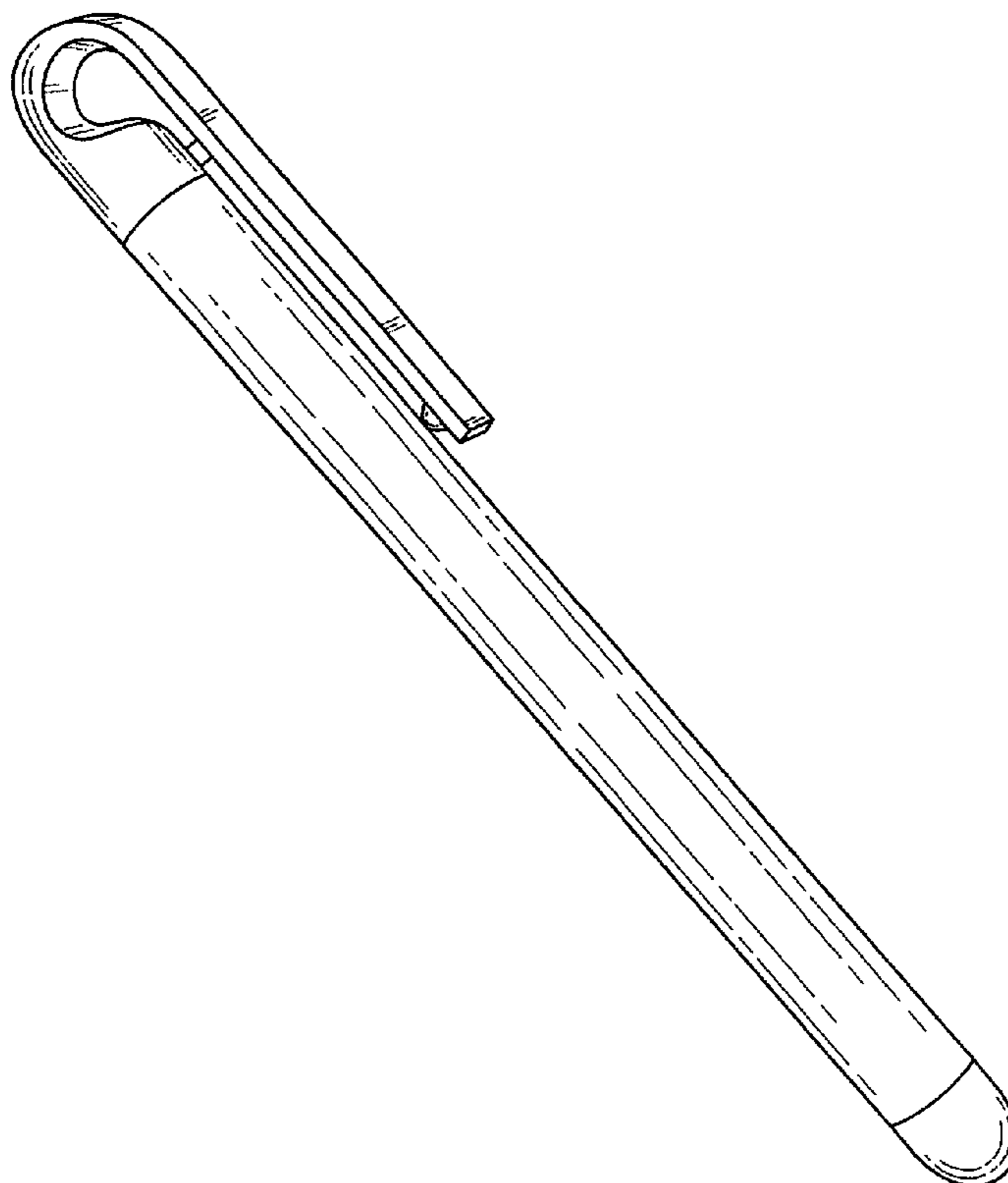
FIG. 4 is a side elevational view when viewed from the right side;

FIG. 5 is a side elevational view when viewed from the left side;

FIG. 6 is a top plan view; and,

FIG. 7 is bottom plan view.

1 Claim, 3 Drawing Sheets



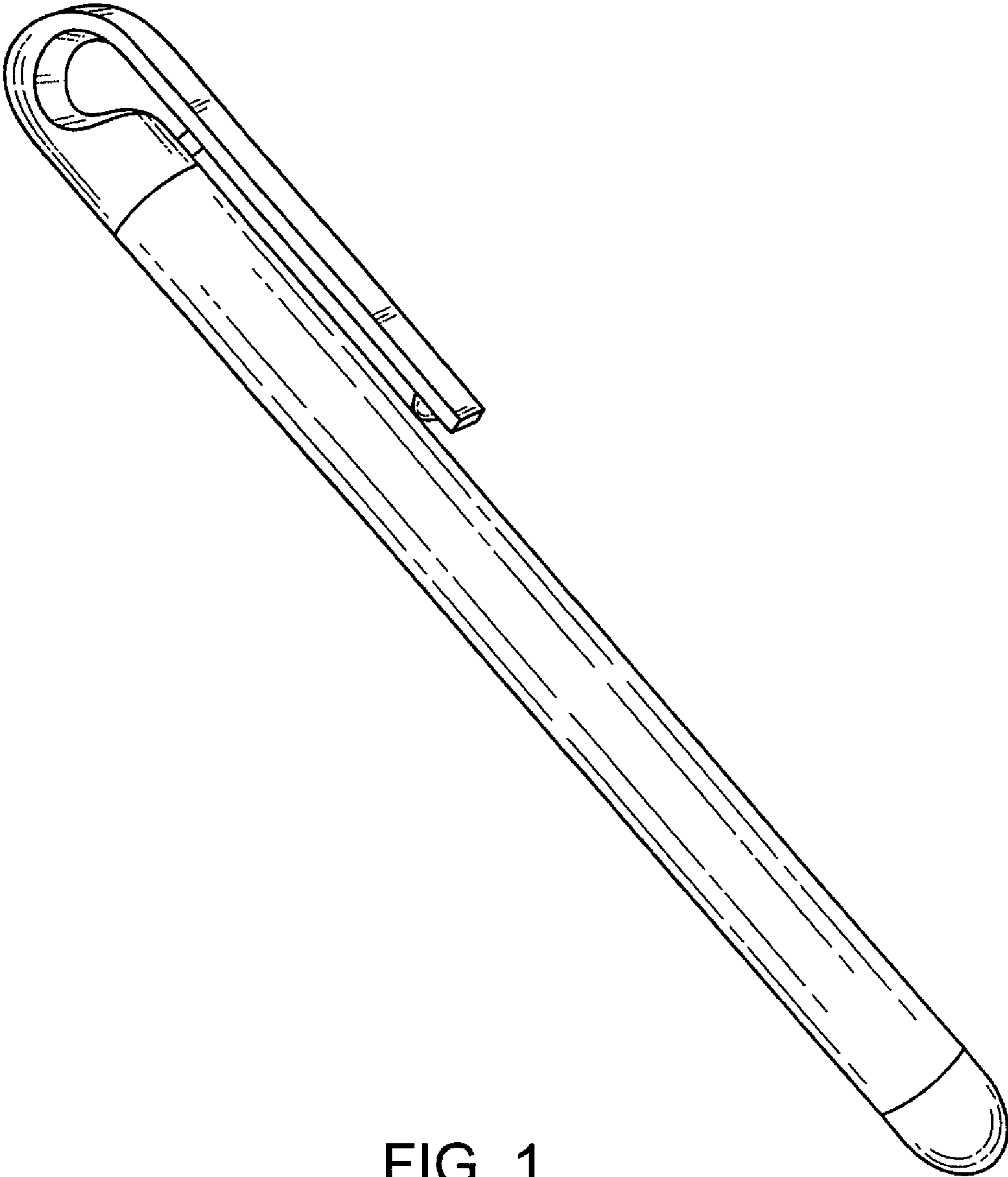


FIG. 1

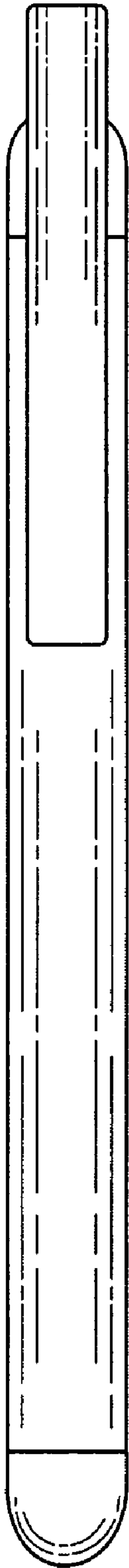


FIG. 2

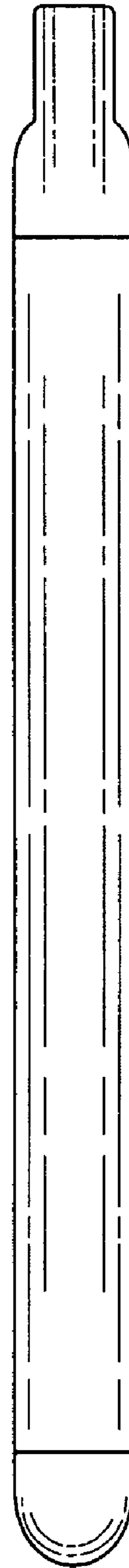


FIG. 3



FIG. 4

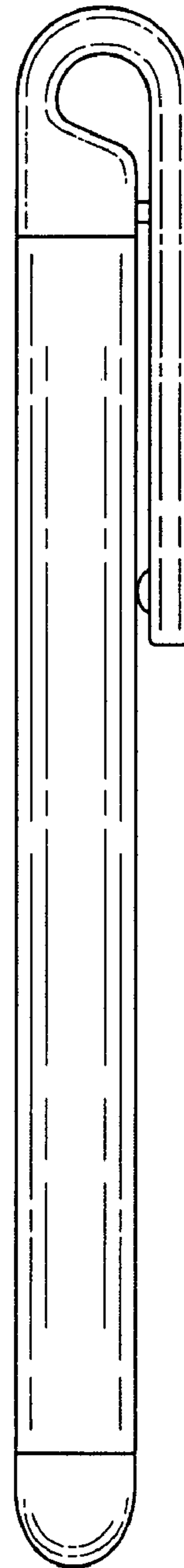


FIG. 5



FIG. 6



FIG. 7