



US00D590877S

(12) **United States Design Patent**
Ma

(10) **Patent No.:** **US D590,877 S**
(45) **Date of Patent:** **** Apr. 21, 2009**

(54) **HIGHLIGHTER**

D340,947 S 11/1993 Tu

(Continued)

(75) Inventor: **Lidan Ma**, Ningbo (CN)

FOREIGN PATENT DOCUMENTS

(73) Assignee: **Beifa Group Co., Ltd.**, Ningbo (CN)

EM 000451497-0004 * 9/2007

(**) Term: **14 Years**

(Continued)

(21) Appl. No.: **29/298,530**

OTHER PUBLICATIONS

(22) Filed: **Dec. 6, 2007**

Qiu, Z., and L. Li, "Highlighter," U.S. Appl. No. 29/277,084, filed Feb. 13, 2007.

(30) **Foreign Application Priority Data**

(Continued)

Jun. 6, 2007 (CN) 2007 3 0158204

Primary Examiner—Caron Veynar

Assistant Examiner—Karen E Eldridge Powers

(51) **LOC (9) Cl.** **19-06**

(52) **U.S. Cl.** **D19/43; D19/48**

(58) **Field of Classification Search** D19/35,
D19/36, 41, 42, 43, 44, 45, 46, 47, 48, 49,
D19/50, 51, 54, 55, 56, 57; 24/11 F, 11 P,
24/11 R; 401/52, 99, 100, 104, 105, 106,
401/107, 108, 109, 192, 195, 196, 202, 209,
401/213, 243, 244, 245, 246, 247; 708/107

(74) *Attorney, Agent, or Firm*—Christensen O'Connor
Johnson Kindness PLLC

See application file for complete search history.

(57) **CLAIM**

The ornamental design for a highlighter, as shown and described.

(56) **References Cited**

DESCRIPTION

U.S. PATENT DOCUMENTS

FIG. 1 is an upper front right perspective view of a highlighter showing my new design;

FIG. 2 is an exploded upper front right perspective view thereof;

- D89,449 S * 3/1933 Parker D19/48
- D115,288 S * 6/1939 Fish D19/48
- D170,539 S * 10/1953 Lovejoy D19/50
- D260,272 S 8/1981 Horntrich
- D268,501 S 4/1983 Krüchel
- D268,935 S 5/1983 Horntrich
- D279,224 S 6/1985 Wolbrom
- D295,537 S 5/1988 Davidson
- D300,331 S * 3/1989 Horntrich D19/43
- D302,175 S * 7/1989 Ohashi et al. D19/43
- D306,873 S 3/1990 Yazaki
- D309,913 S 8/1990 Shintani
- D313,622 S 1/1991 Yazaki
- D331,780 S * 12/1992 Cheng D19/57
- D334,589 S * 4/1993 Shike et al. D19/36

FIG. 3 is a right side elevation view of the highlighter shown in FIG. 1;

FIG. 4 is front elevation view thereof;

FIG. 5 is a left side elevation view thereof;

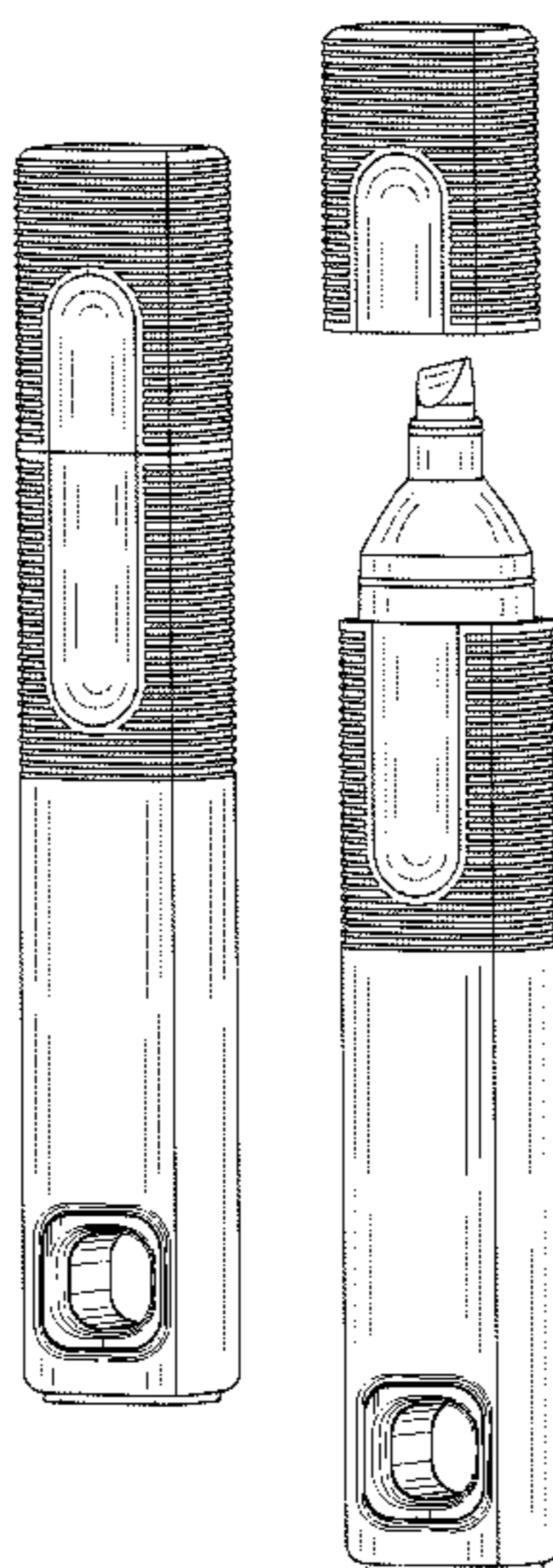
FIG. 6 is a rear elevation view thereof;

FIG. 7 is a top plan view thereof;

FIG. 8 is a bottom plan view thereof; and,

FIG. 9 is a front elevation view of the highlighter shown in FIG. 1 with the cap removed for convenience of illustration.

1 Claim, 4 Drawing Sheets



US D590,877 S

Page 2

U.S. PATENT DOCUMENTS

D351,562 S * 10/1994 Moffatt et al. D10/78
D355,674 S * 2/1995 Moeck D19/48
D389,515 S 1/1998 Van Swieten
D394,876 S 6/1998 Chuang
D399,253 S 10/1998 Raymond
D413,925 S 9/1999 Reichmann
D414,204 S 9/1999 Reichmann
D421,052 S * 2/2000 Yazawa D19/48
D441,792 S * 5/2001 Carre D19/43
D444,173 S * 6/2001 Izushima D19/48
6,273,627 B1 * 8/2001 Mittersinker et al. 401/117
D463,490 S 9/2002 Reichmann
D465,805 S 11/2002 Hu
D469,469 S 1/2003 Schminke
D470,529 S 2/2003 Tu
D475,088 S 5/2003 Cetera
D476,363 S 6/2003 Hung
D482,726 S 11/2003 Hung
D495,362 S 8/2004 Qiu
D500,790 S * 1/2005 Jaakkola D19/43
D504,187 S 4/2005 Man
D508,079 S 8/2005 Qiu
D531,665 S * 11/2006 Leibeck D19/48
D534,587 S * 1/2007 Hageman et al. D19/57
D540,862 S * 4/2007 Qiu D19/43
D541,340 S 4/2007 Qiu
D545,364 S * 6/2007 Ternovits D19/43

D546,879 S 7/2007 Qiu
D551,369 S * 9/2007 Mah D26/37
D559,311 S 1/2008 Qiu
D566,175 S 4/2008 Qiu
D567,852 S 4/2008 Qiu
D572,755 S * 7/2008 Brigham et al. D19/44
D573,639 S * 7/2008 Qiu et al. D19/43
D573,643 S * 7/2008 Brigham et al. D19/57
D577,064 S * 9/2008 Briggl D19/48
2007/0041778 A1 2/2007 Hageman

FOREIGN PATENT DOCUMENTS

HK 0800816.9 * 5/2008

OTHER PUBLICATIONS

Qiu, Z., and L. Ma, "Highlighter," U.S. Appl. No. 29/277,287, filed Feb. 20, 2007.
Qiu, Z., and Y. Shi, "Dual-Tip Highlighter," U.S. Appl. No. 29/277,088, filed Feb. 13, 2007.
Qiu, Z., and D. Wei, "Pen," U.S. Appl. No. 29/278,142, filed Mar. 20, 2007.
Yu, F., and J. Ge, "Pen," U.S. Appl. No. 29/306,782, filed Apr. 16, 2008.
Zhao, F., "Pen," U.S. Appl. No. 29/296,683, filed Oct. 25, 2007.
Zhao, F., and J. Tan, "Pen," U.S. Appl. No. 29/284,678, filed Sep. 13, 2007.

* cited by examiner

Fig. 1.

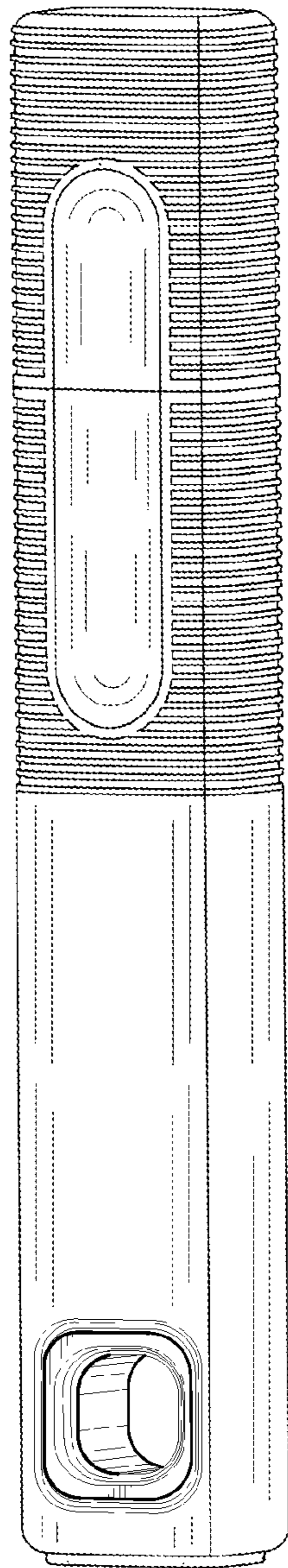


Fig. 2.

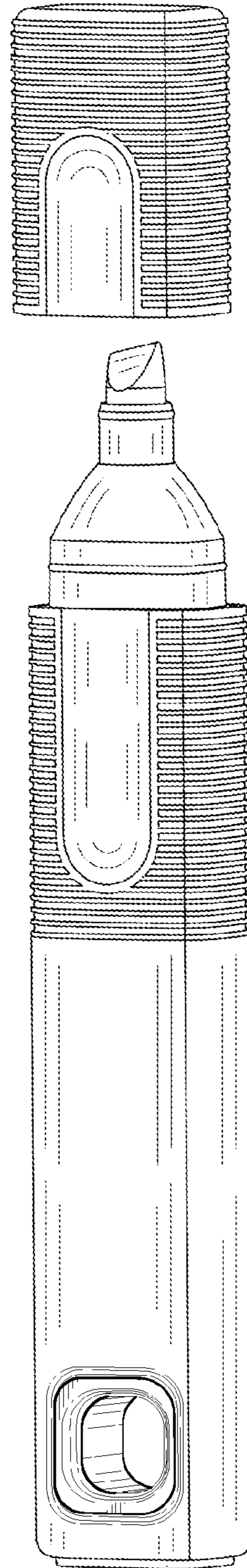


Fig.3.

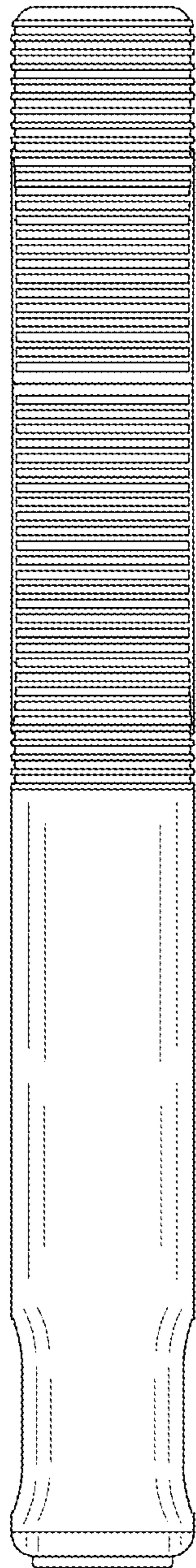


Fig.4.

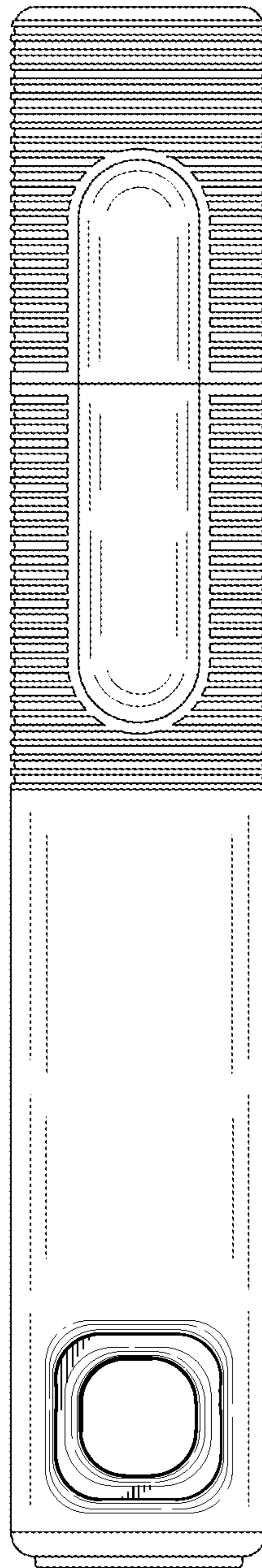


Fig. 5.

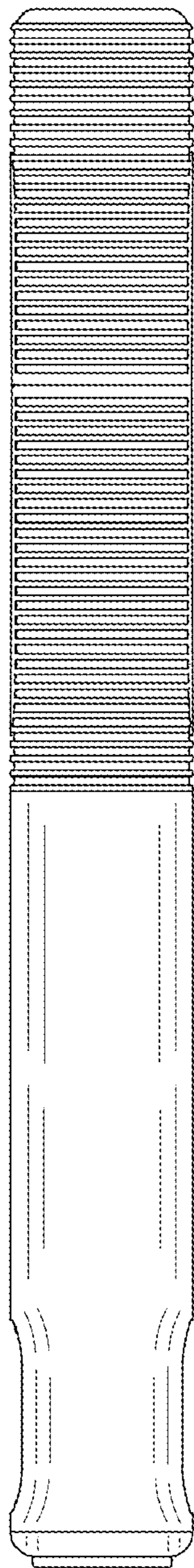
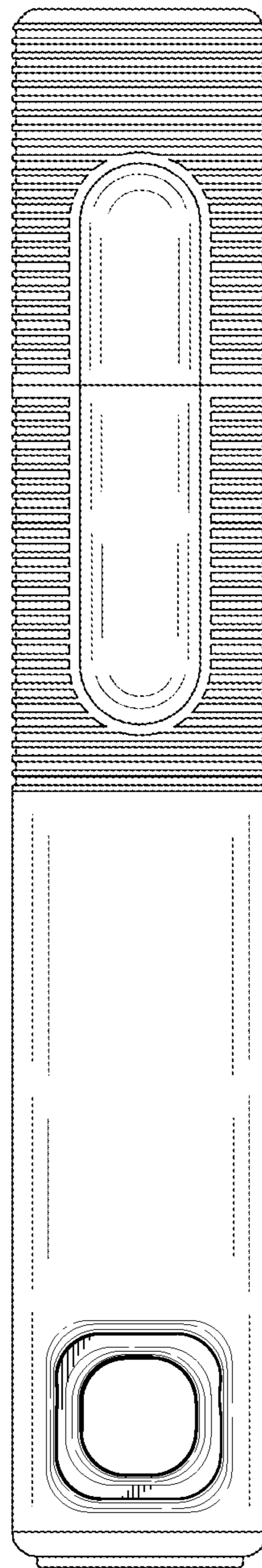


Fig. 6.



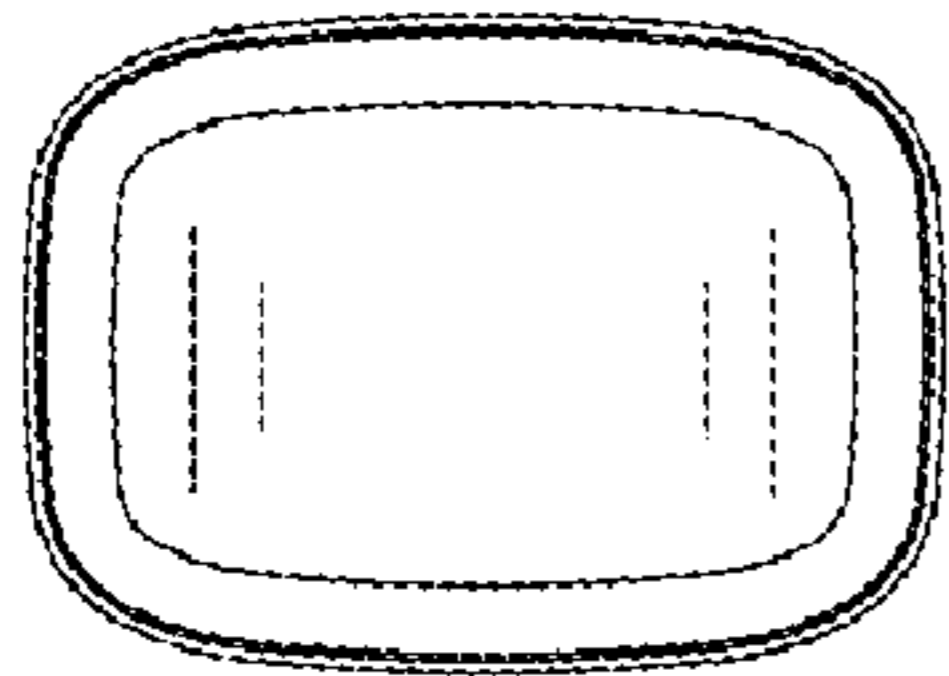


Fig. 7.

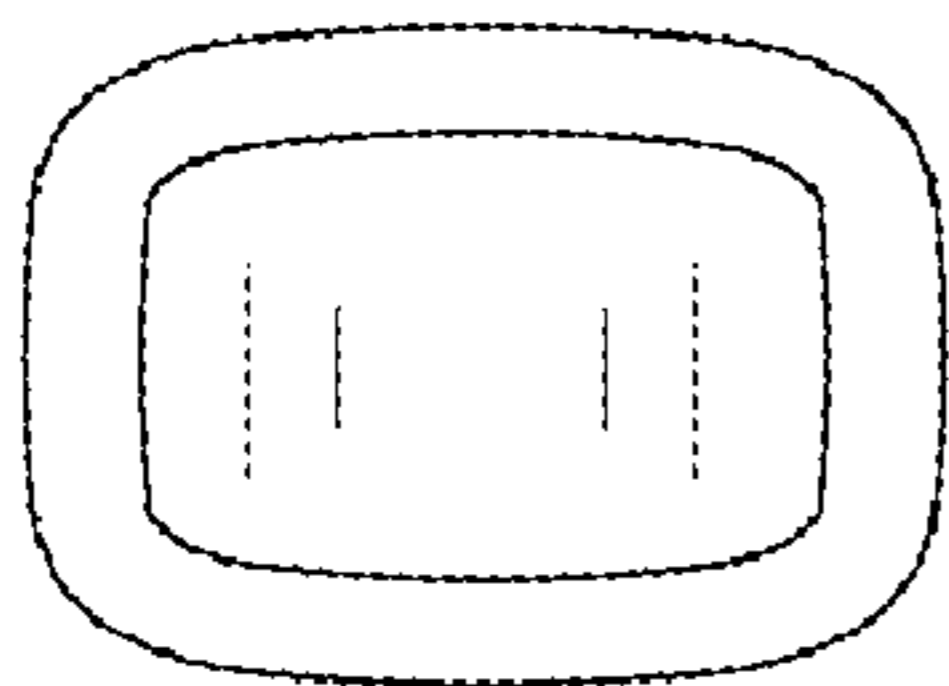


Fig. 8.

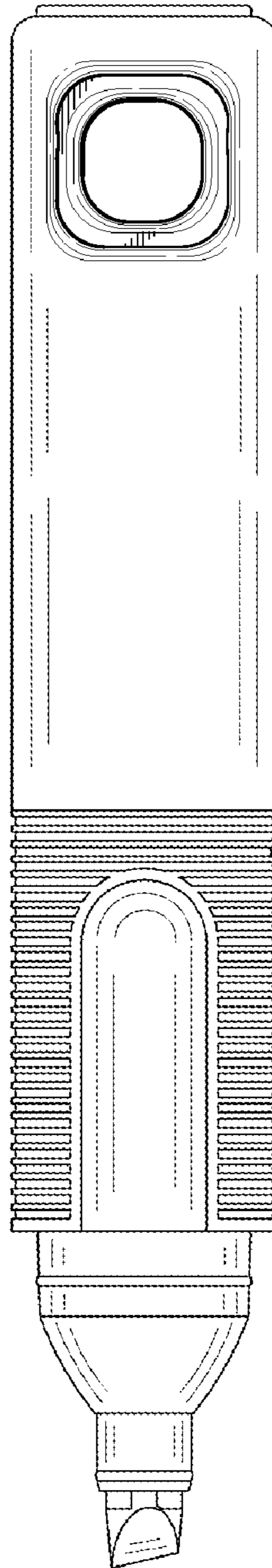


Fig. 9.