



US00D590874S

(12) **United States Design Patent**
Horiuchi et al.

(10) **Patent No.:** **US D590,874 S**
(45) **Date of Patent:** **** Apr. 21, 2009**

(54) **PAPER CARTRIDGE FOR PRINTER**

(75) Inventors: **Takashi Horiuchi**, Kariya (JP);
Yasunori Nakamura, Toyokawa (JP);
Yoshikatsu Suito, Kitanagoya (JP)

(73) Assignee: **Brother Industries, Ltd.**, Nagoya (JP)

(**) Term: **14 Years**

(21) Appl. No.: **29/317,209**

(22) Filed: **Apr. 24, 2008**

(30) **Foreign Application Priority Data**

Nov. 1, 2007 (JP) 2007-030241

(51) **LOC (9) Cl.** **18-02**

(52) **U.S. Cl.** **D18/56**

(58) **Field of Classification Search** D18/40,
D18/43, 56; 347/86-87; 206/449

See application file for complete search history.

(56) **References Cited**

U.S. PATENT DOCUMENTS

6,217,019 B1 * 4/2001 Ishiduka et al. 206/449

(Continued)

Primary Examiner—Cathy Anne MacCormac

(74) *Attorney, Agent, or Firm*—Oliff & Berridge, PLC

(57) **CLAIM**

The ornamental design for a paper cartridge for printer, as shown and described.

DESCRIPTION

FIG. 1 is a reduced top perspective view of a paper cartridge for a printer with a lid in the closed position against the top of the paper cartridge;

FIG. 2 is a reduced top perspective view thereof with an unclaimed portion removed so as not to obscure the claimed subject matter;

FIG. 3 is a top view of FIG. 1;

FIG. 4 is a top view of FIG. 2;

FIG. 5 is a front view of FIG. 1;

FIG. 6 is a right-side view of FIG. 1;

FIG. 7 is a left-side view of FIG. 1;

FIG. 8 is a rear view of FIG. 1;

FIG. 9 is a bottom view of FIG. 1;

FIG. 10 is a reduced bottom perspective view of FIG. 1;

FIG. 11 is a reduced bottom perspective view of FIG. 2 with an unclaimed portion removed so as not to obscure the claimed subject matter;

FIG. 12 is a reduced top view of FIG. 1 in an unfolded position;

FIG. 13 is a reduced top perspective view thereof with the lid in the folded condition against the bottom of the paper cartridge;

FIG. 14 is a reduced top perspective view of FIG. 13 with an unclaimed portion removed so as not to obscure the claimed subject matter;

FIG. 15 is a top view of FIG. 13;

FIG. 16 is a top view of FIG. 14;

FIG. 17 is a front view of FIG. 13;

FIG. 18 is a right-side view of FIG. 13;

FIG. 19 is a left-side view of FIG. 13;

FIG. 20 is a rear view of FIG. 13;

FIG. 21 is a bottom view of FIG. 13;

FIG. 22 is a bottom view of FIG. 14 with an unclaimed portion removed so as not to obscure the claimed subject matter;

FIG. 23 is a reduced bottom perspective view of FIG. 21; and,

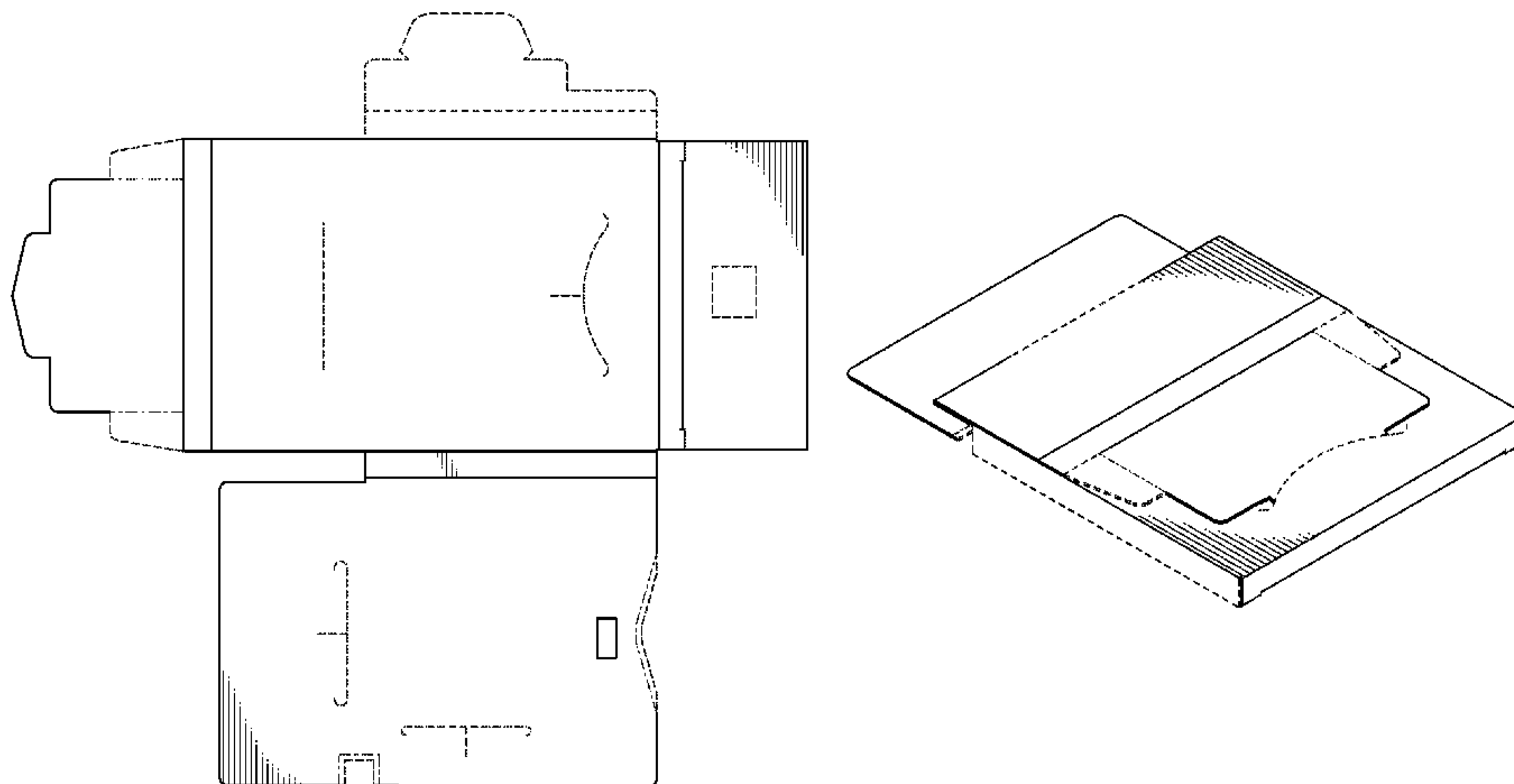
FIG. 24 is a reduced bottom perspective view of FIG. 22 with an unclaimed portion removed so as not to obscure the claimed subject matter.

The broken lines depict environmental subject matter only and form no part of the claimed design.

The dot-chain lines illustrate a border of the claimed subject matter and form no part of the claimed design.

The stippling of the lid represents a contrast in color between the lid and the other claimed portions of the paper cartridge.

1 Claim, 14 Drawing Sheets



US D590,874 S

Page 2

U.S. PATENT DOCUMENTS

D512,740 S *	12/2005	Nakamura et al.	D18/56	D571,853 S *	6/2008	Horiuchi et al.	D18/56
D542,340 S *	5/2007	Nakamura et al.	D18/56	D571,854 S *	6/2008	Horiuchi et al.	D18/56
7,281,873 B2 *	10/2007	Yamamoto et al.	206/449	D573,634 S *	7/2008	Horiuchi et al.	D18/56
D562,887 S *	2/2008	Seo et al.	D18/56	2001/0033314 A1 *	10/2001	Yoshino et al.	347/86
D571,398 S *	6/2008	Horiuchi et al.	D18/56				

* cited by examiner

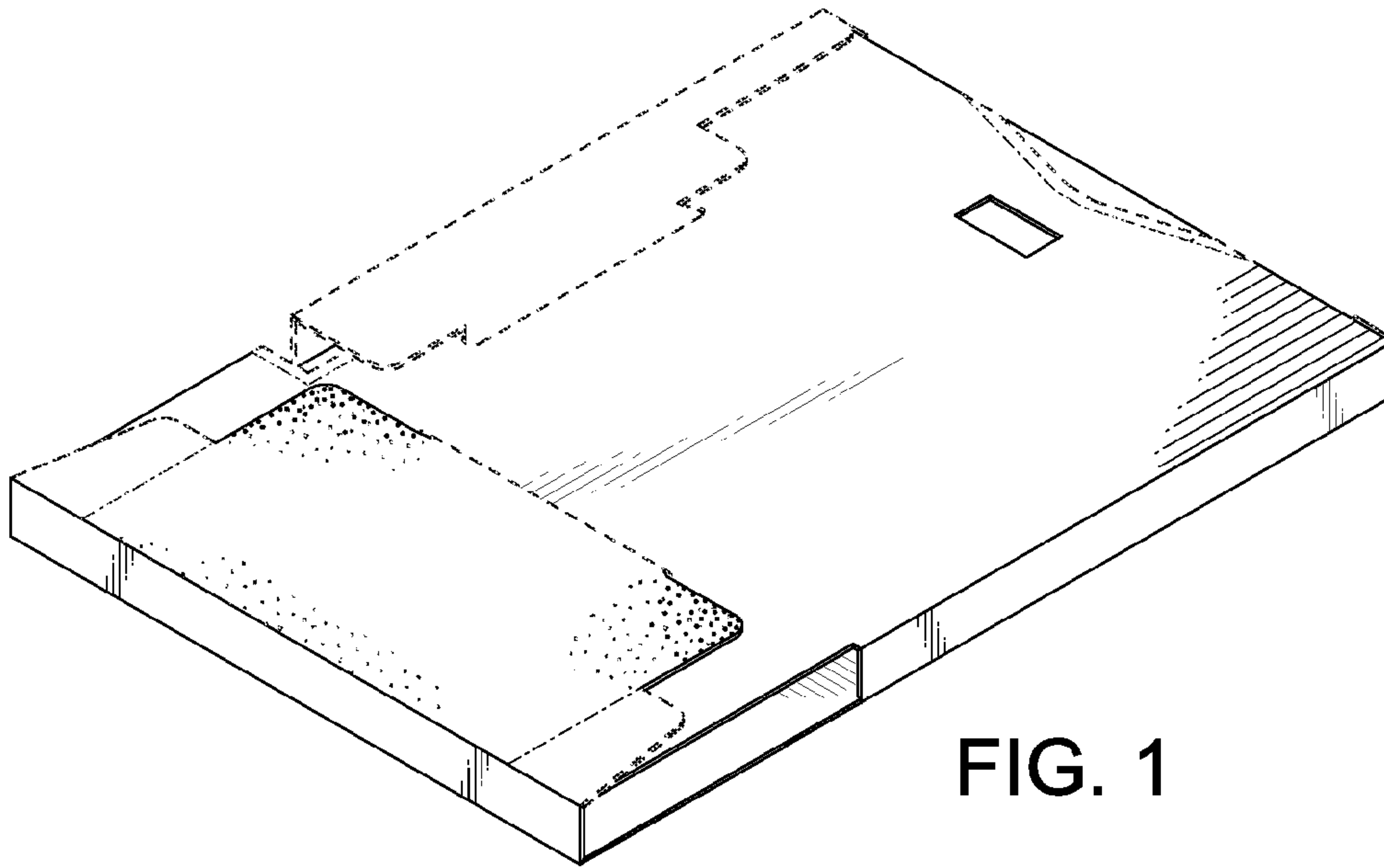


FIG. 1

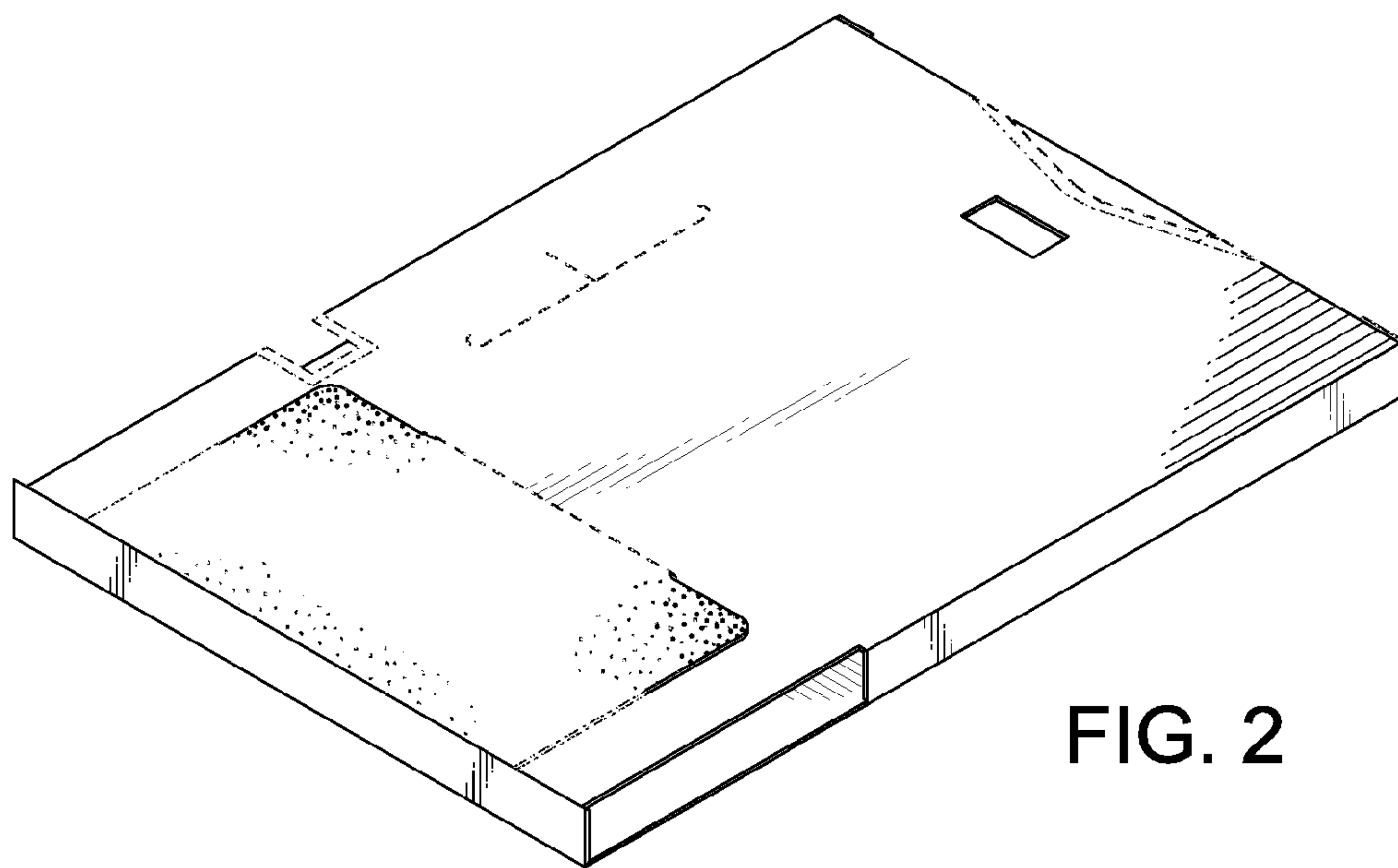


FIG. 2

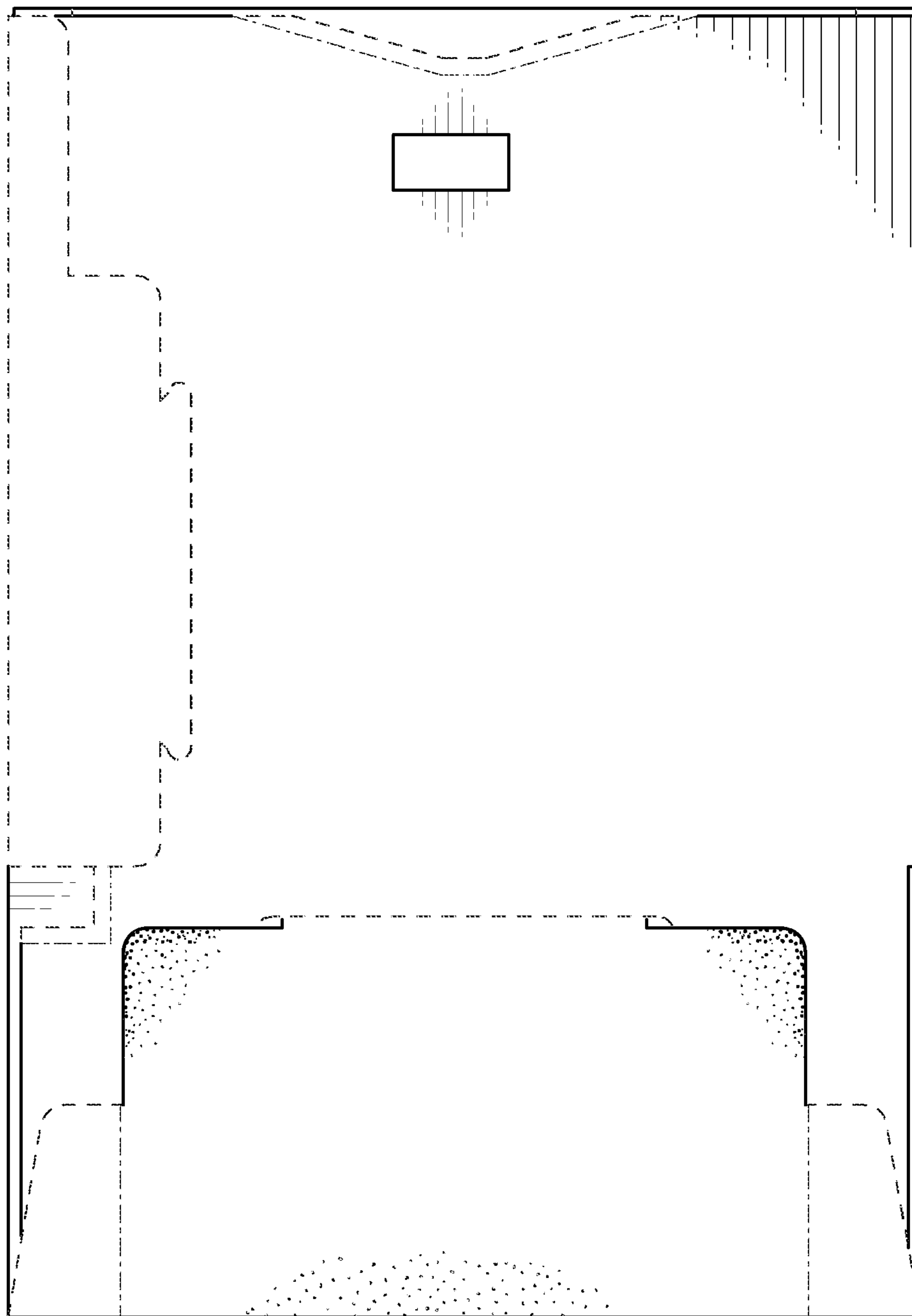


FIG. 3

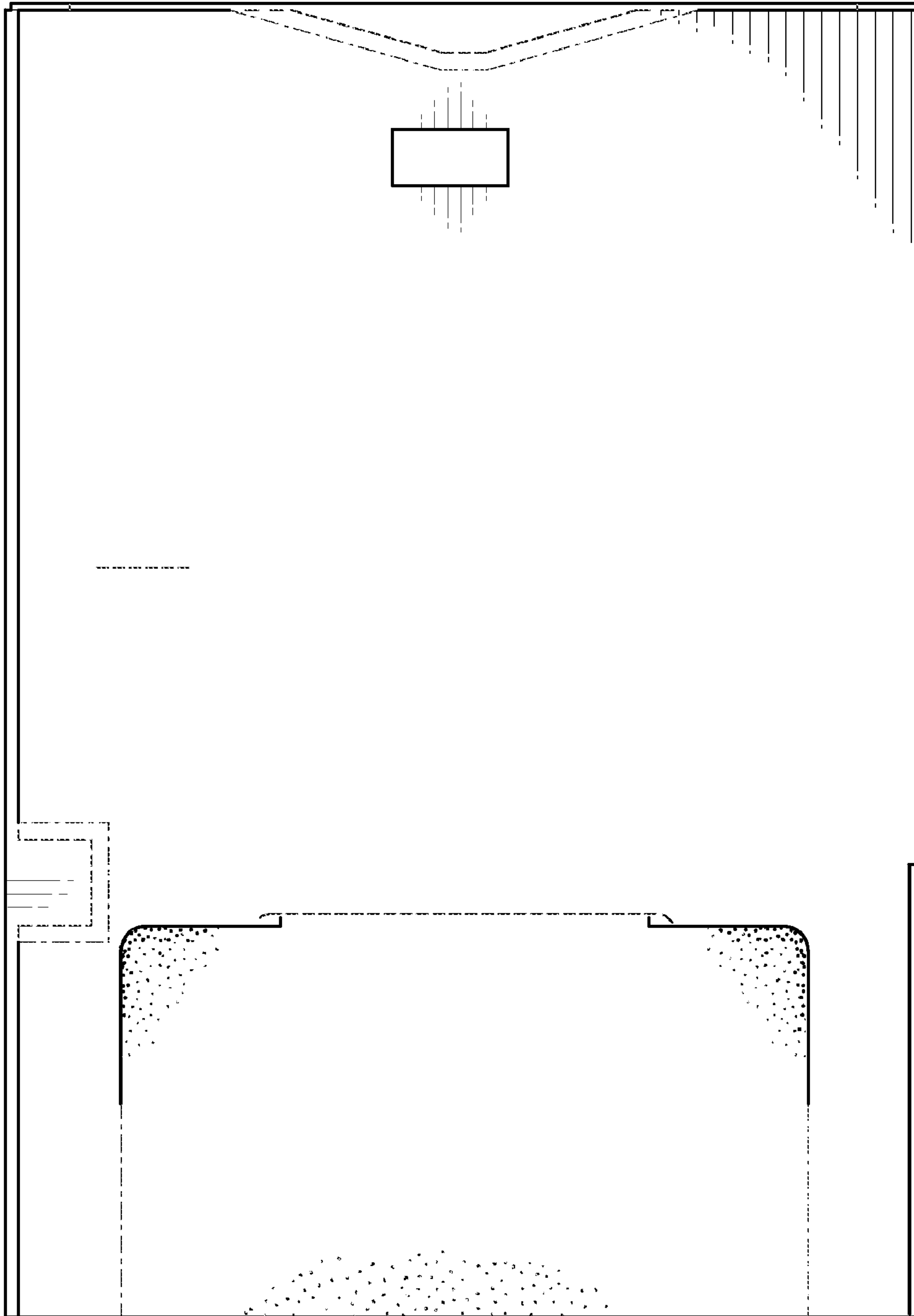


FIG. 4

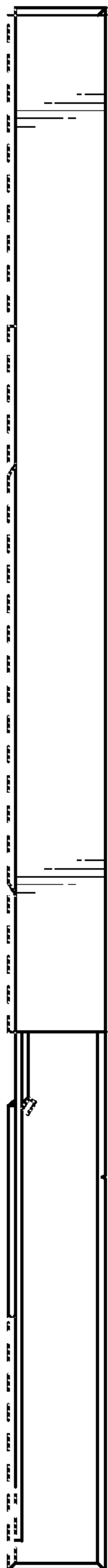


FIG. 5

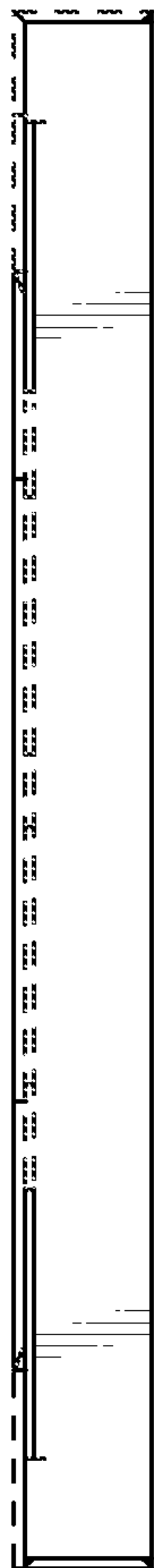


FIG. 6

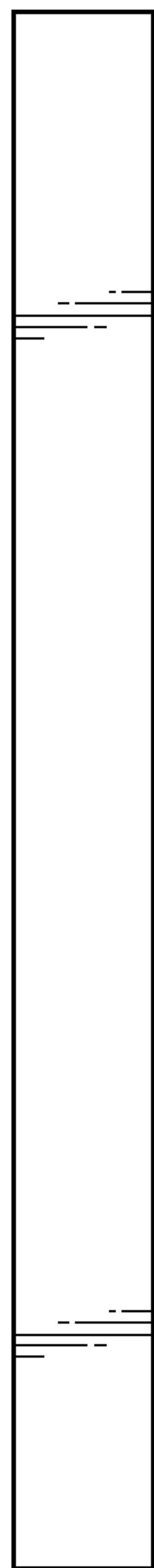


FIG. 7

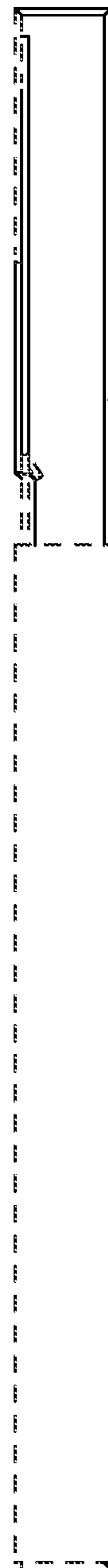


FIG. 8

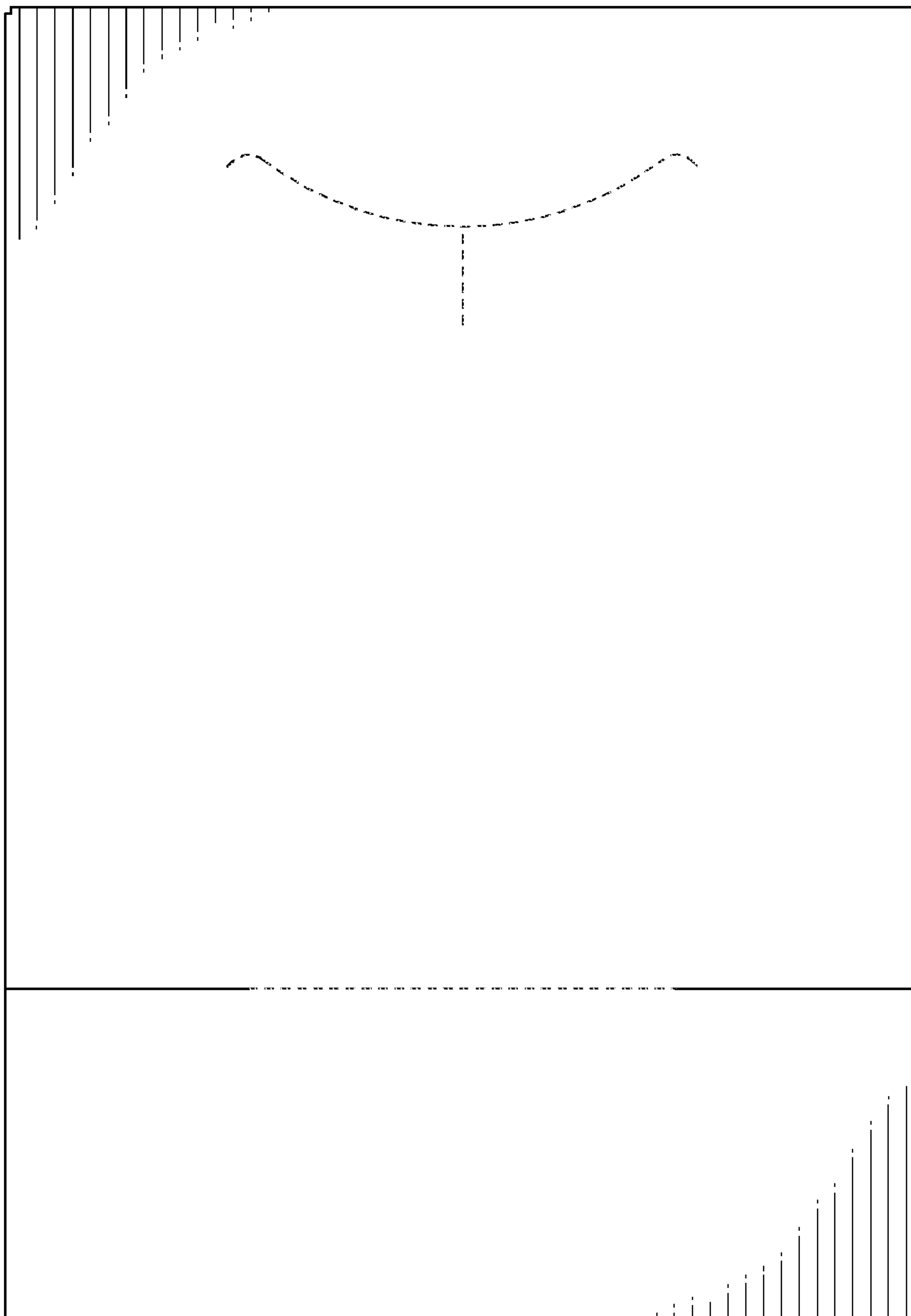


FIG. 9

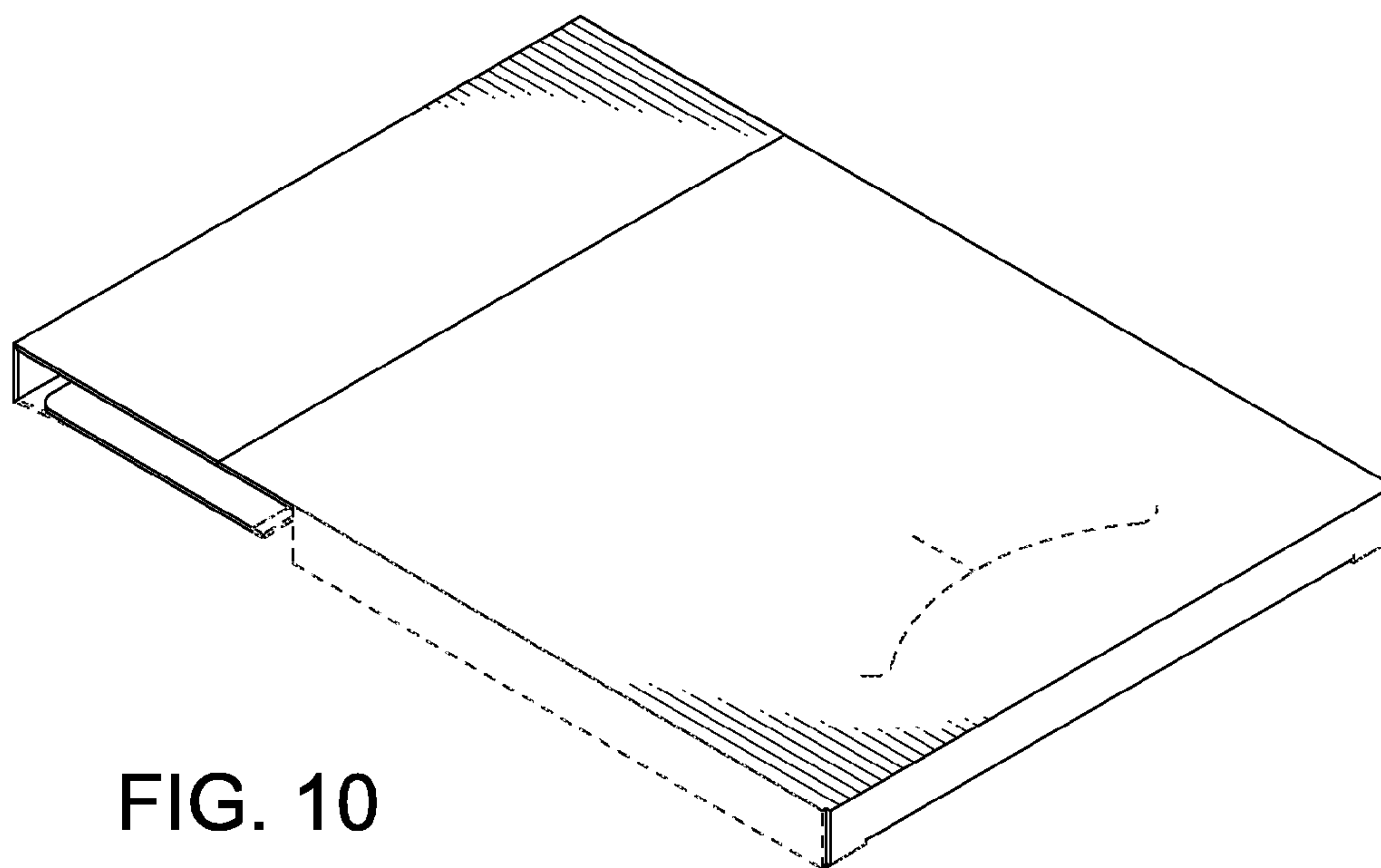


FIG. 10

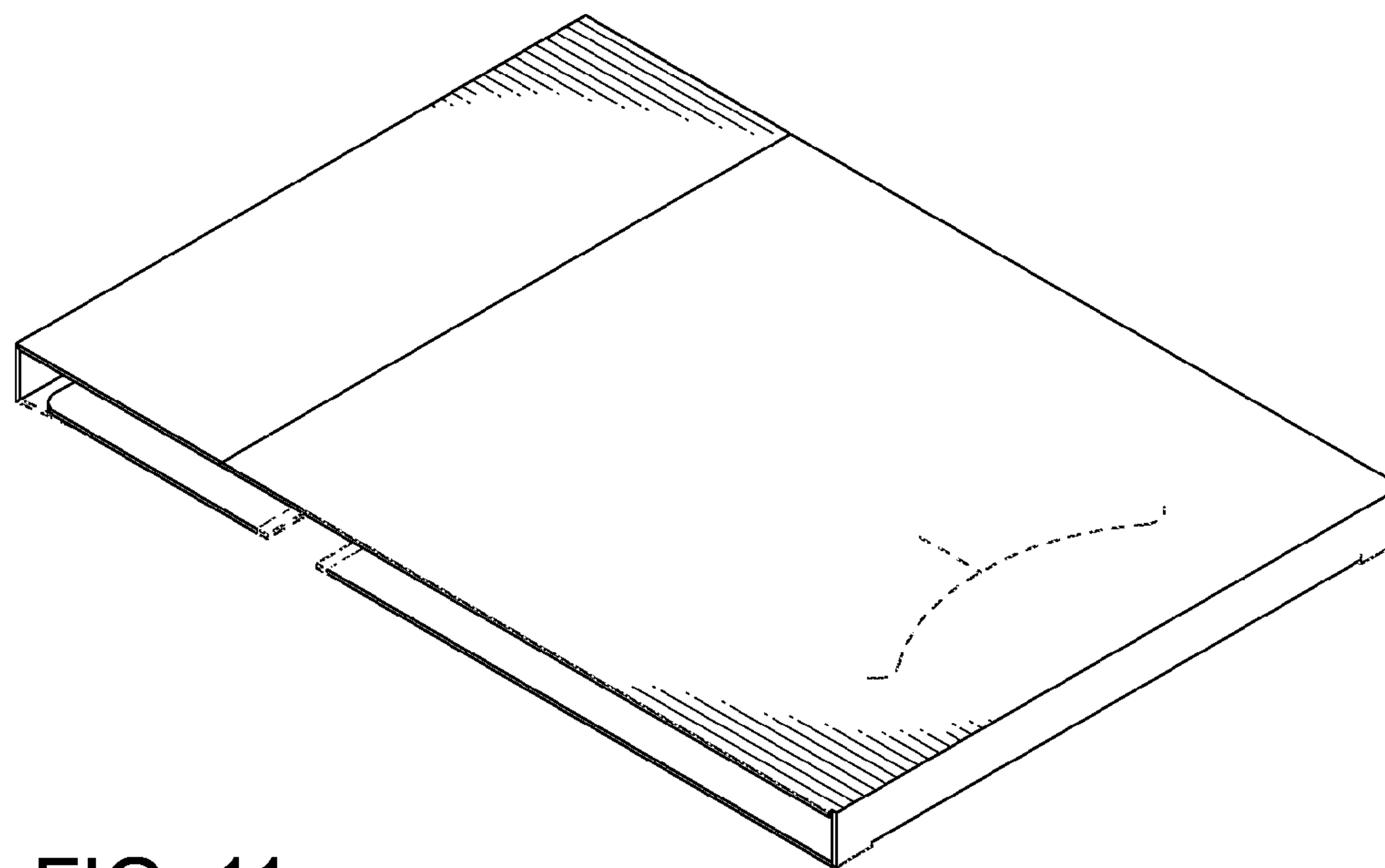


FIG. 11

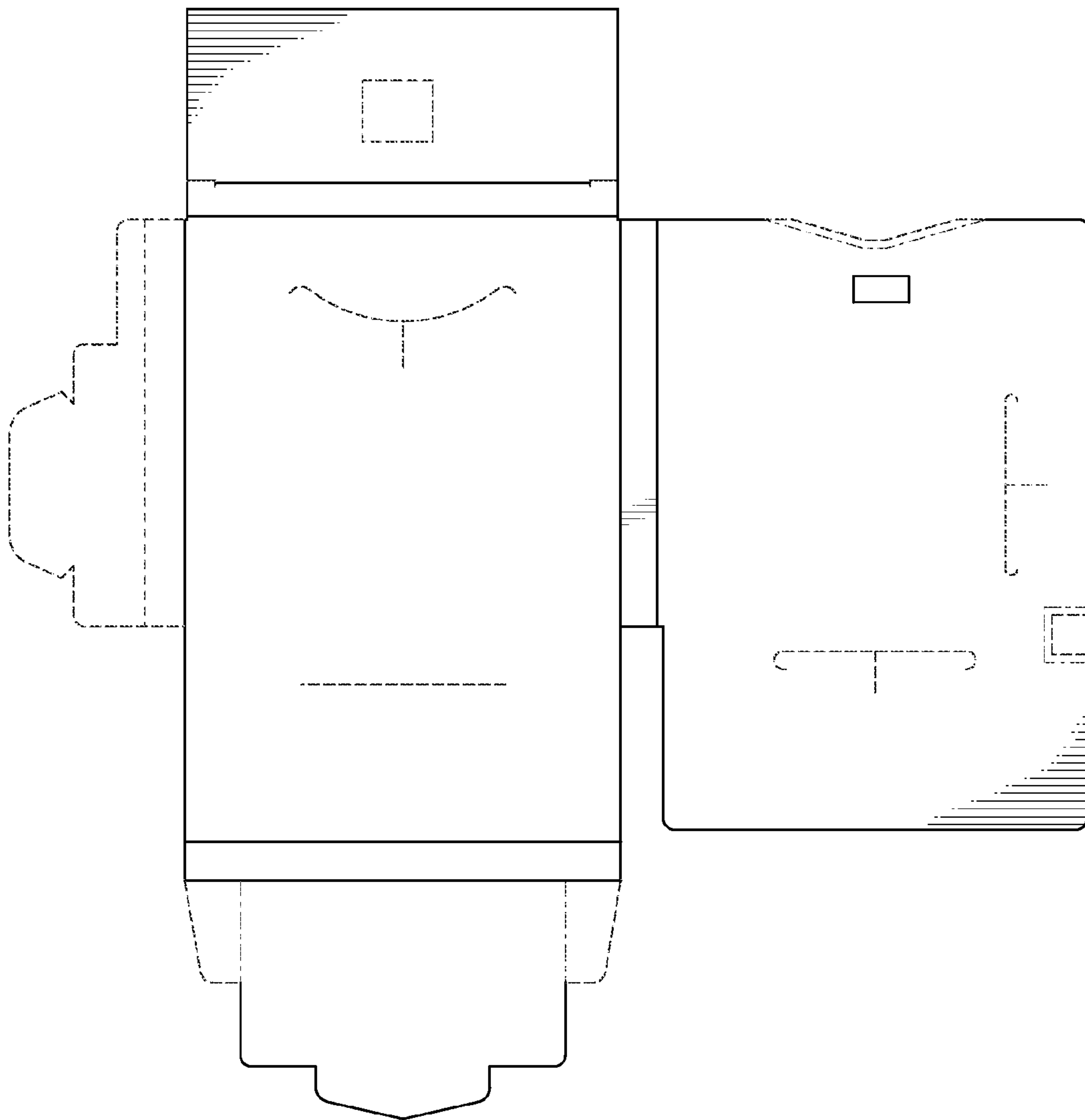


FIG. 12

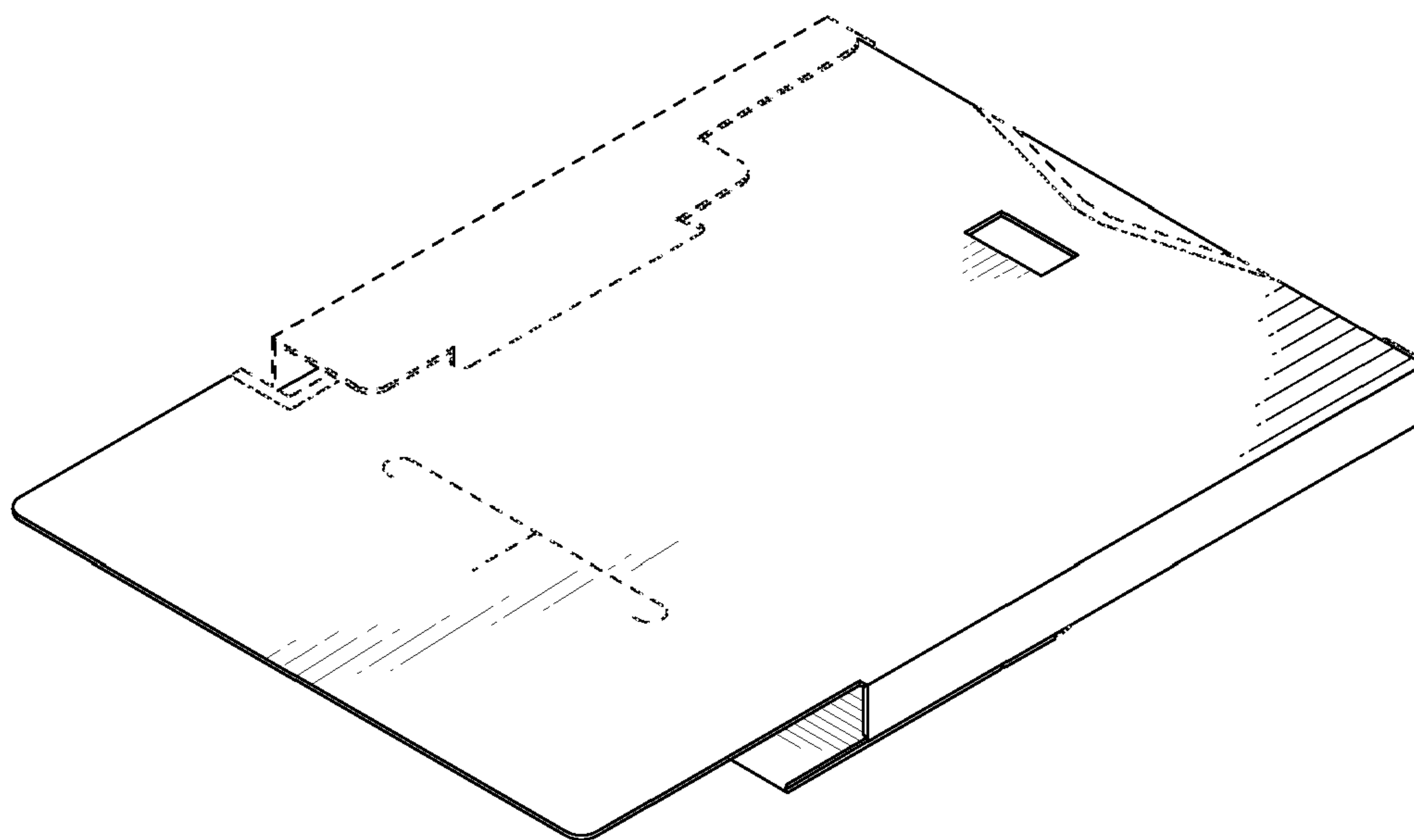


FIG. 13

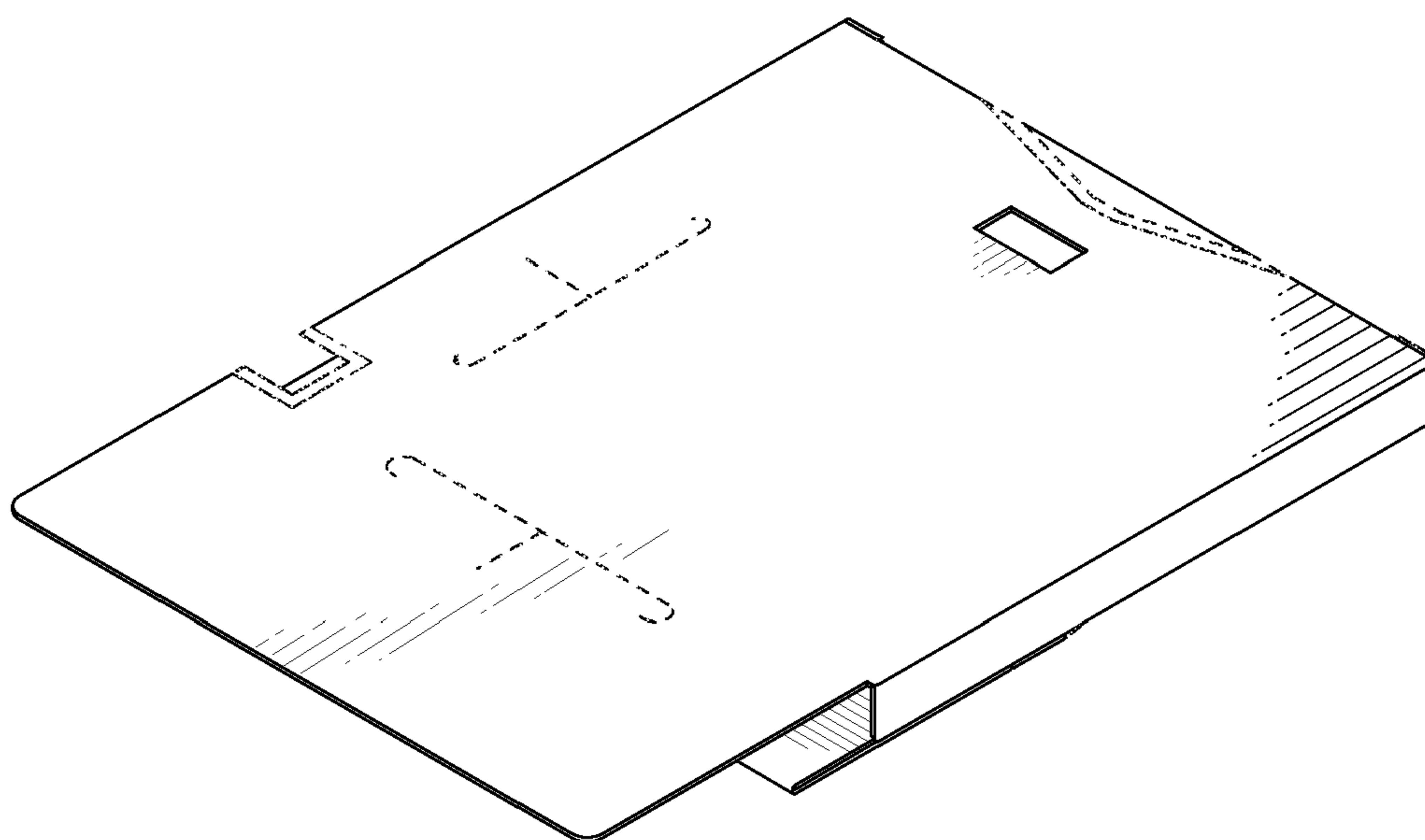


FIG. 14

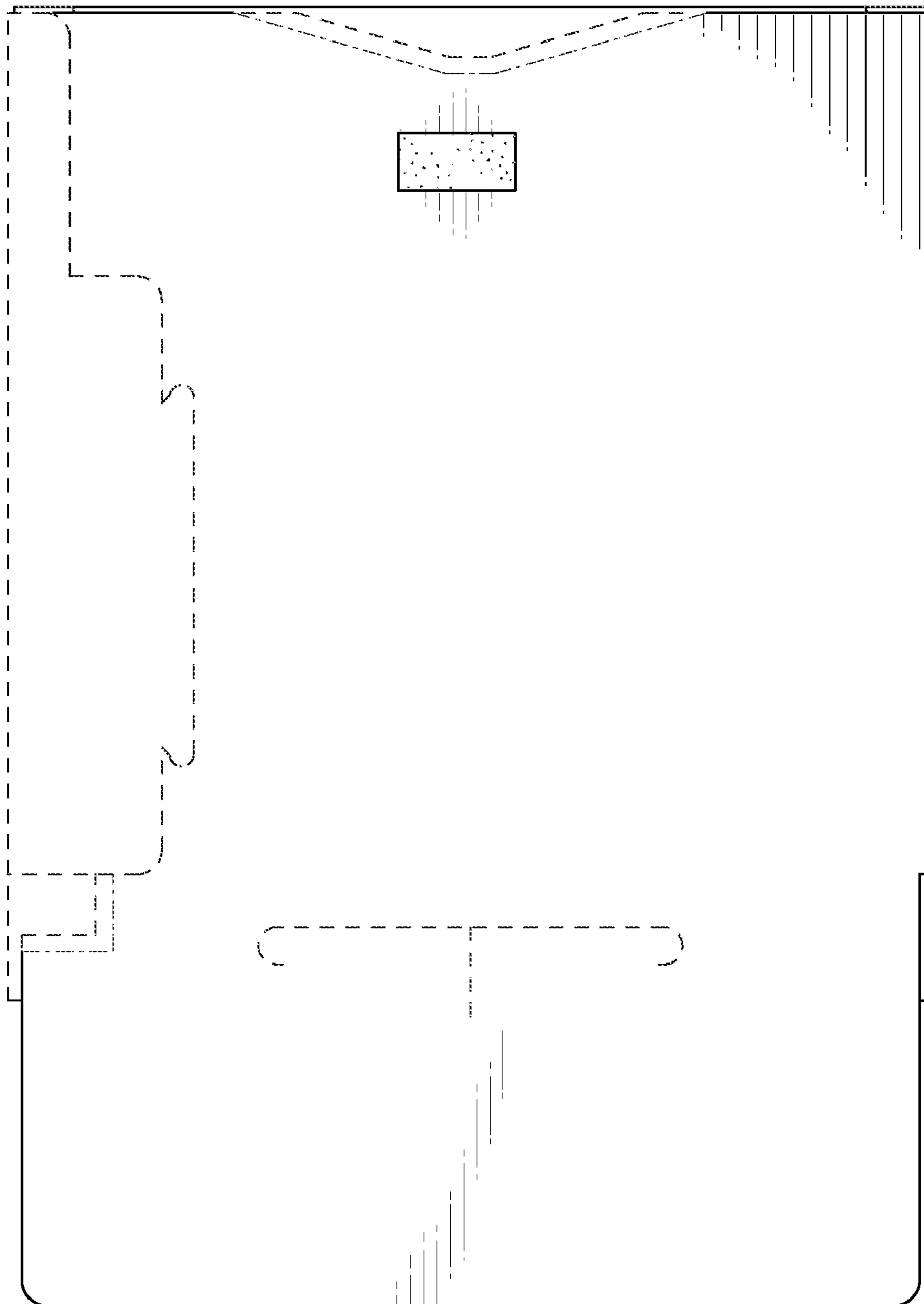


FIG. 15

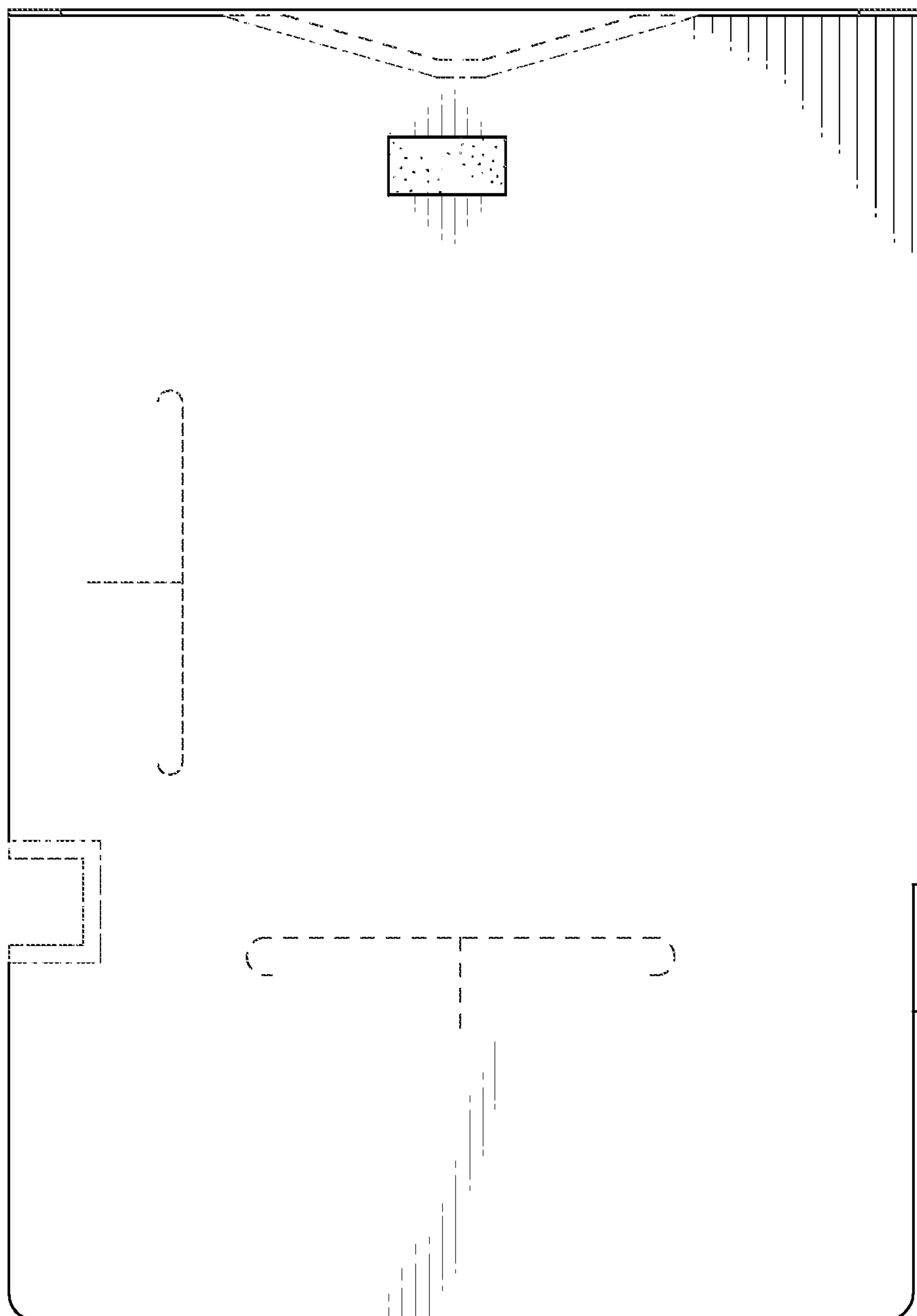


FIG. 16

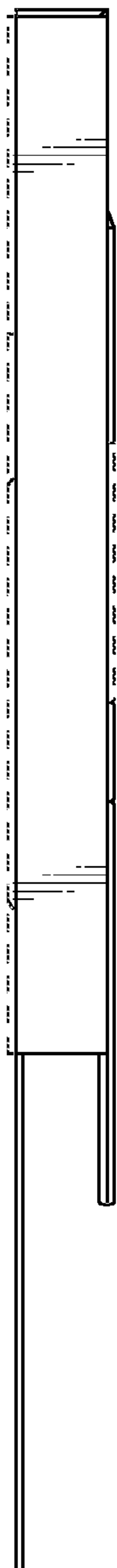


FIG. 17

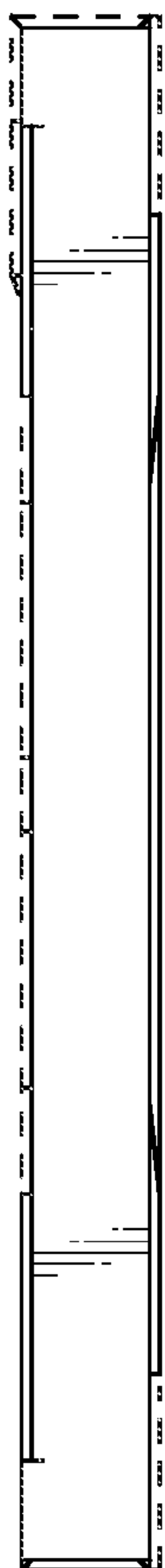


FIG. 18

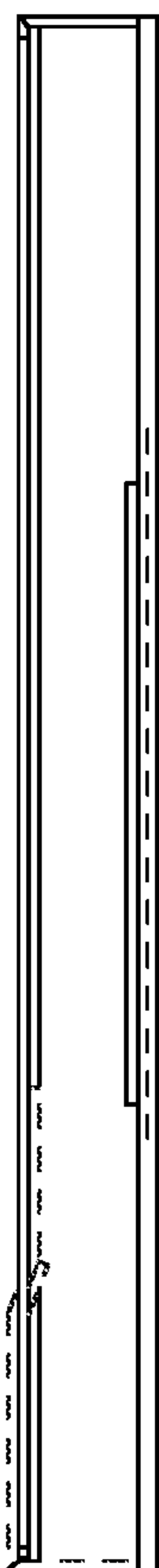


FIG. 19

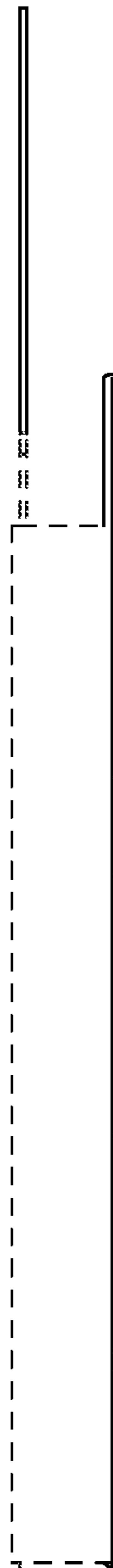


FIG. 20

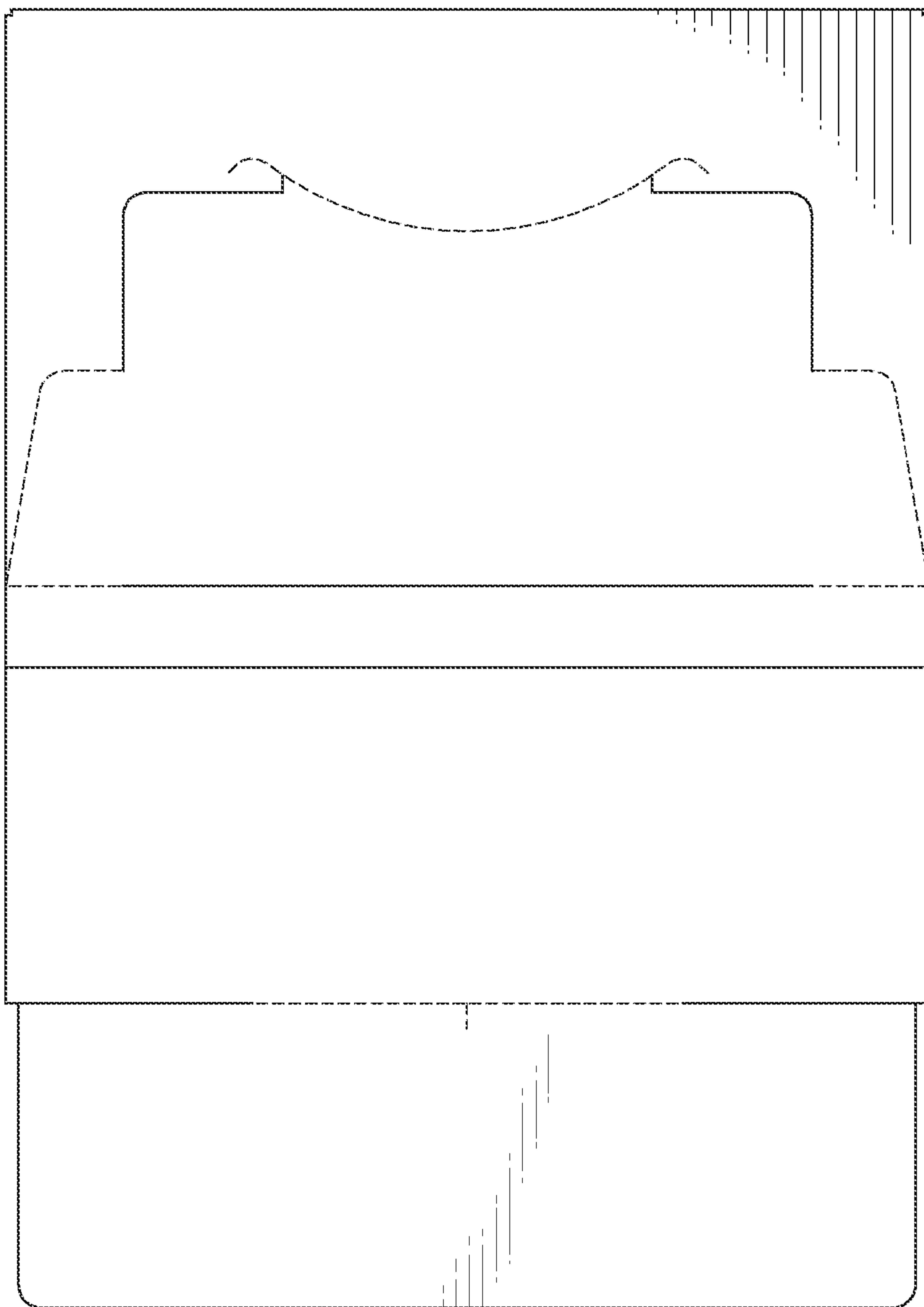


FIG. 21

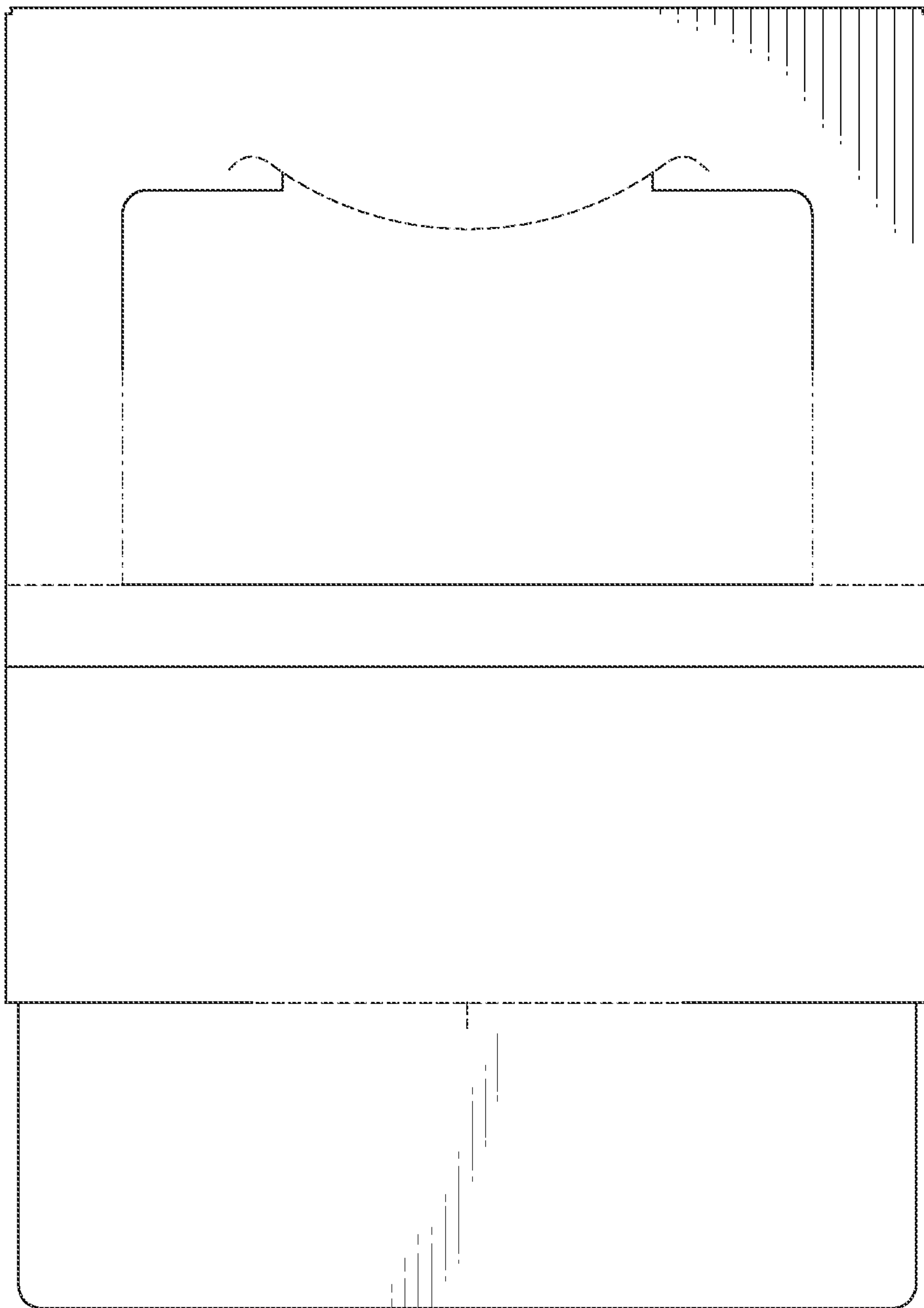


FIG. 22

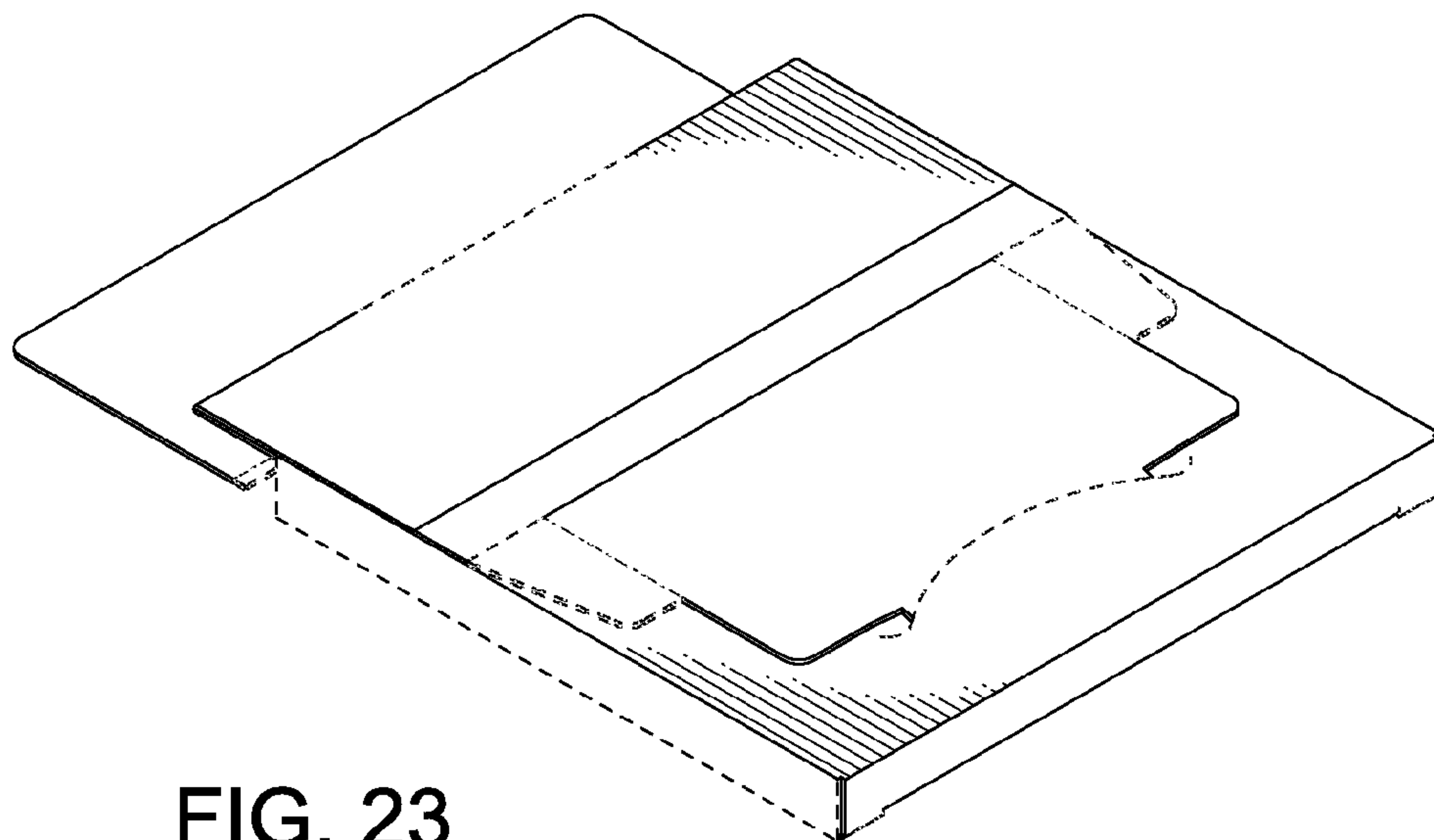


FIG. 23

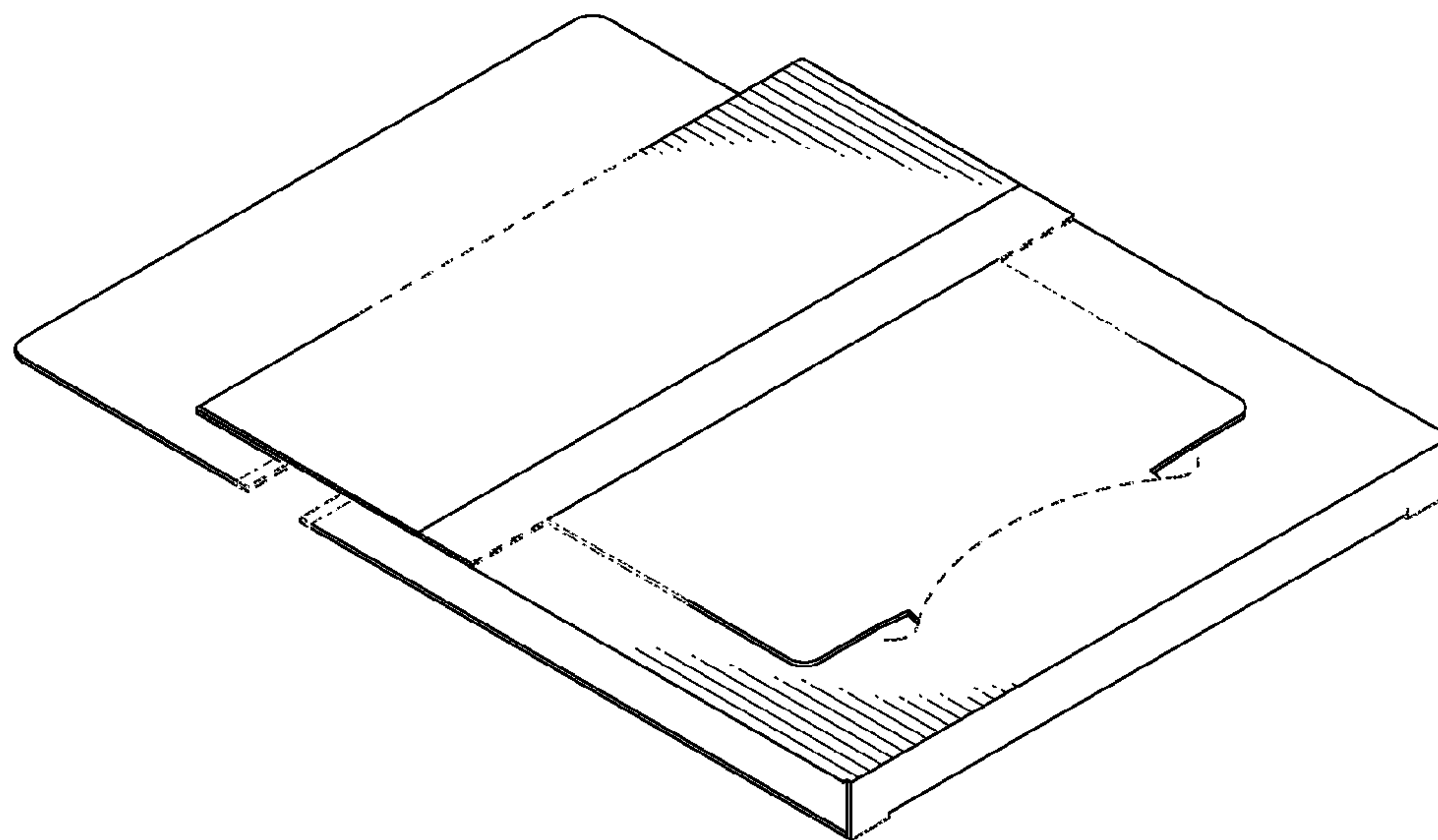


FIG. 24