



US00D590873S

(12) **United States Design Patent**  
**Suzuki et al.**

(10) **Patent No.:** **US D590,873 S**  
(45) **Date of Patent:** **\*\* Apr. 21, 2009**

(54) **PRINTER FOR A POINT OF SALES  
TERMINAL**

(75) Inventors: **Akira Suzuki**, Tagata (JP); **Takuro  
Masuda**, Tokyo (JP)

(73) Assignee: **Toshiba Tec Kabushiki Kaisha** (JP)

(\*\*) Term: **14 Years**

(21) Appl. No.: **29/288,917**

(22) Filed: **Jun. 26, 2007**

(30) **Foreign Application Priority Data**

Dec. 27, 2006 (JP) ..... 2006-035956

(51) **LOC (9) Cl.** ..... **14-02**

(52) **U.S. Cl.** ..... **D18/55**

(58) **Field of Classification Search** ..... D18/36-39,  
D18/50, 54, 54.1, 55, 4.4; D14/421-425,  
D14/462-470; 400/613, 613.1-613.4, 690.1-690.4,  
400/691-694

See application file for complete search history.

(56) **References Cited**

**U.S. PATENT DOCUMENTS**

D199,704 S \* 12/1964 Frantz ..... D18/36  
4,872,659 A \* 10/1989 Kato et al. .... D18/55  
D346,820 S \* 5/1994 Etou et al. .... D18/55  
D368,927 S \* 4/1996 Kim ..... D18/55  
D371,157 S \* 6/1996 Chambers ..... D18/50  
D388,455 S \* 12/1997 Tanabe ..... D18/55

D415,520 S \* 10/1999 Suzuki et al. .... D18/55  
D453,933 S \* 2/2002 Mulcahy et al. .... D14/420  
D456,445 S \* 4/2002 Kusanagi ..... D18/55  
D530,361 S \* 10/2006 Chambers ..... D18/50  
D533,586 S \* 12/2006 Nakamura et al. .... D18/55

**FOREIGN PATENT DOCUMENTS**

JP D1248415 8/2005

\* cited by examiner

*Primary Examiner*—Cathy Anne MacCormac

(74) *Attorney, Agent, or Firm*—Harness, Dickey & Pierce,  
P.L.C.

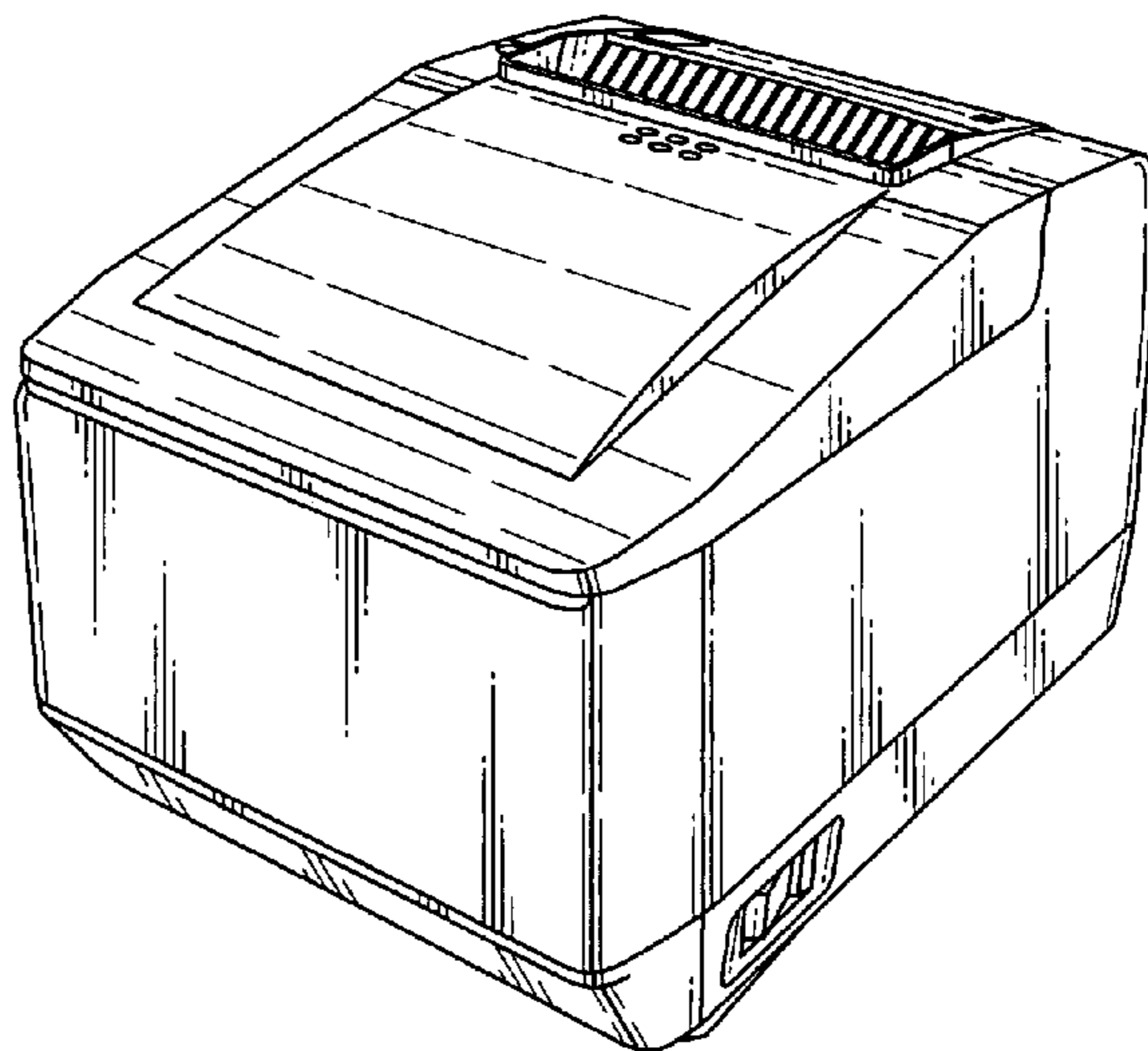
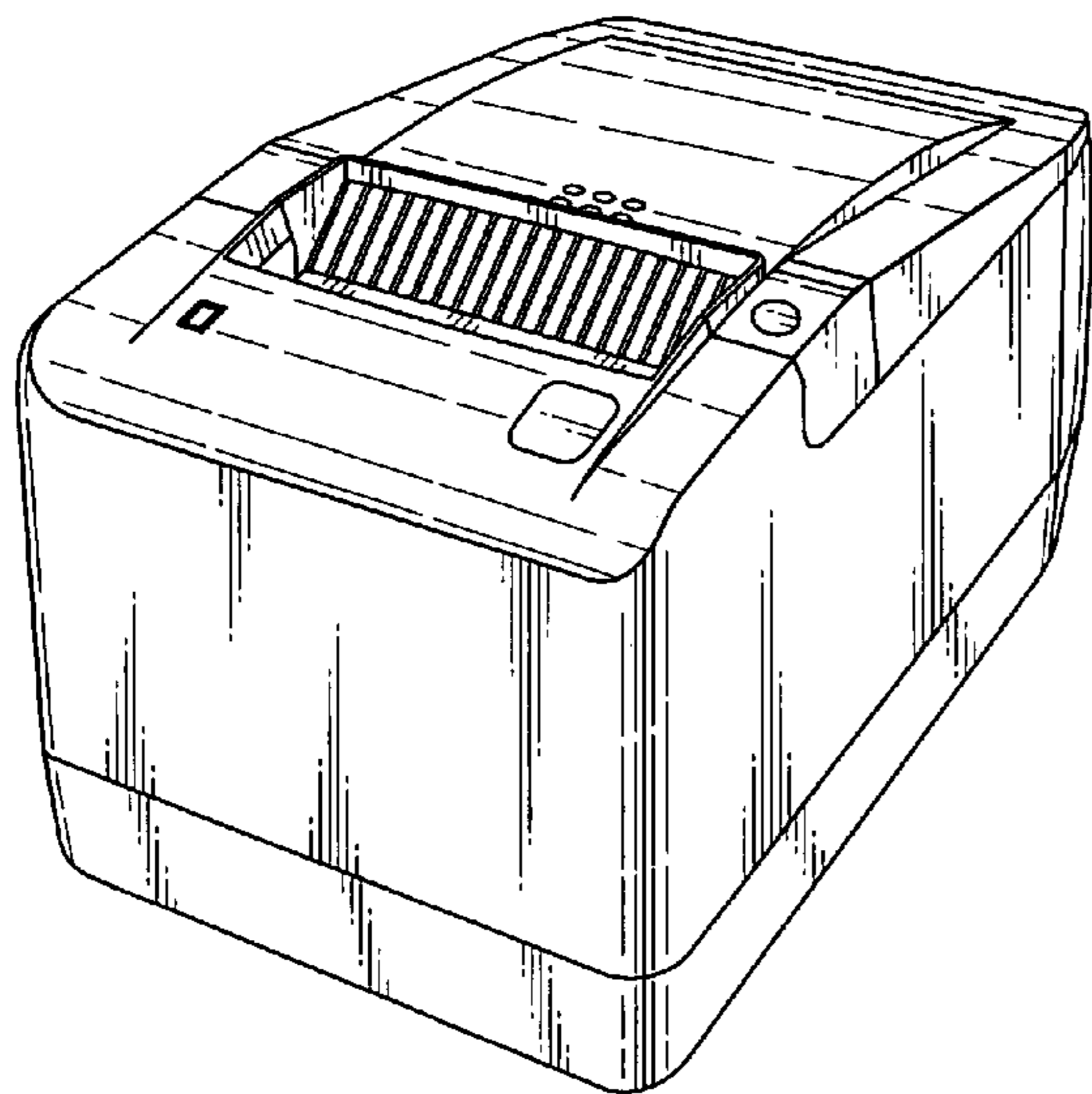
(57) **CLAIM**

The ornamental design for a printer for a point of sales terminal, as shown and described.

**DESCRIPTION**

FIG. 1 is a front, top and right side perspective view of a printer for a point of sales terminal, showing our new design; FIG. 2 is a rear, top and left side perspective view thereof; FIG. 3 is a front elevational view thereof; FIG. 4 is a rear elevational view thereof; FIG. 5 is a top plan view thereof; FIG. 6 is a bottom plan view thereof; FIG. 7 is a right side elevational view thereof; and, FIG. 8 is a left side elevational view thereof.

**1 Claim, 4 Drawing Sheets**



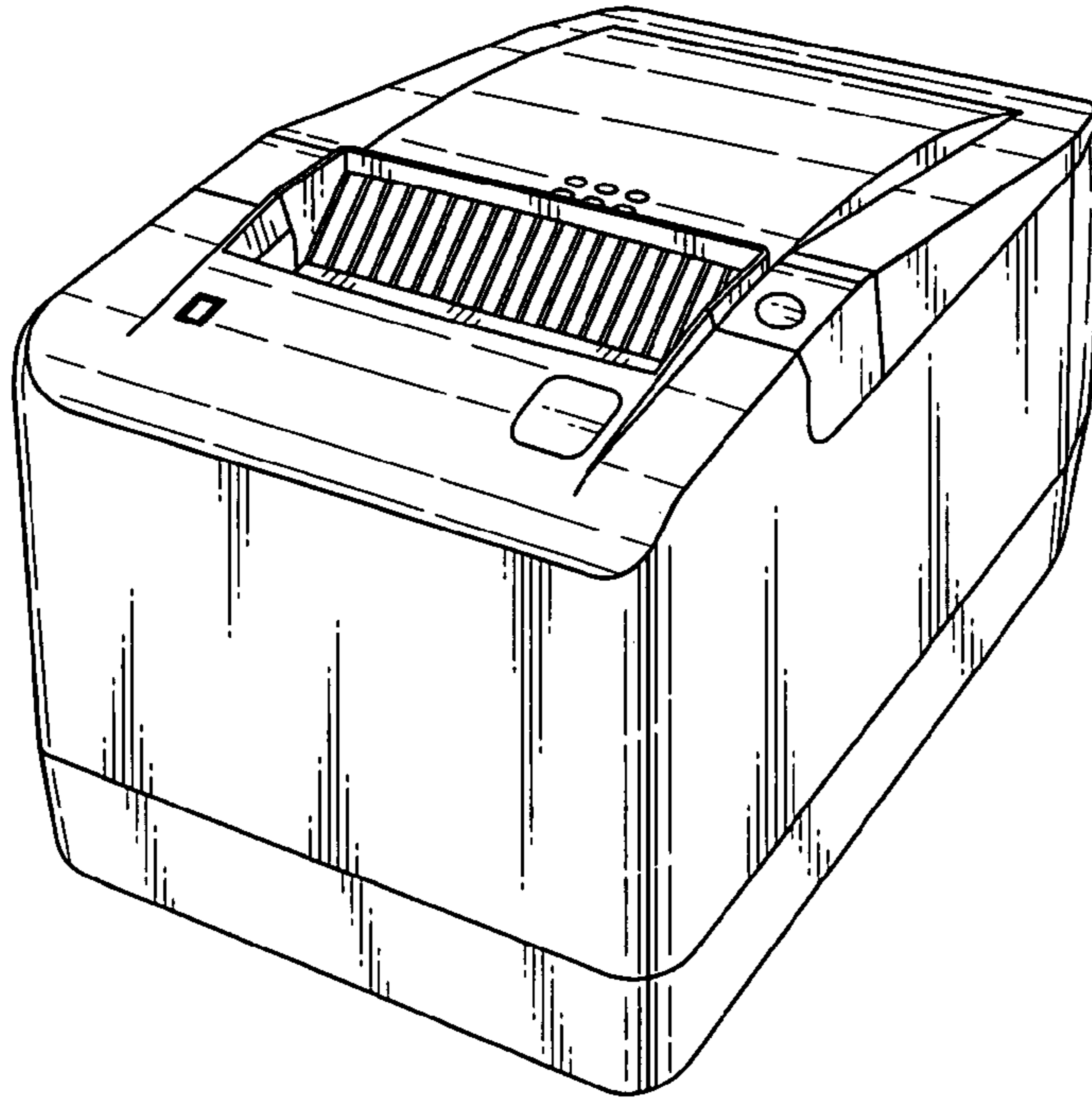


FIG.1

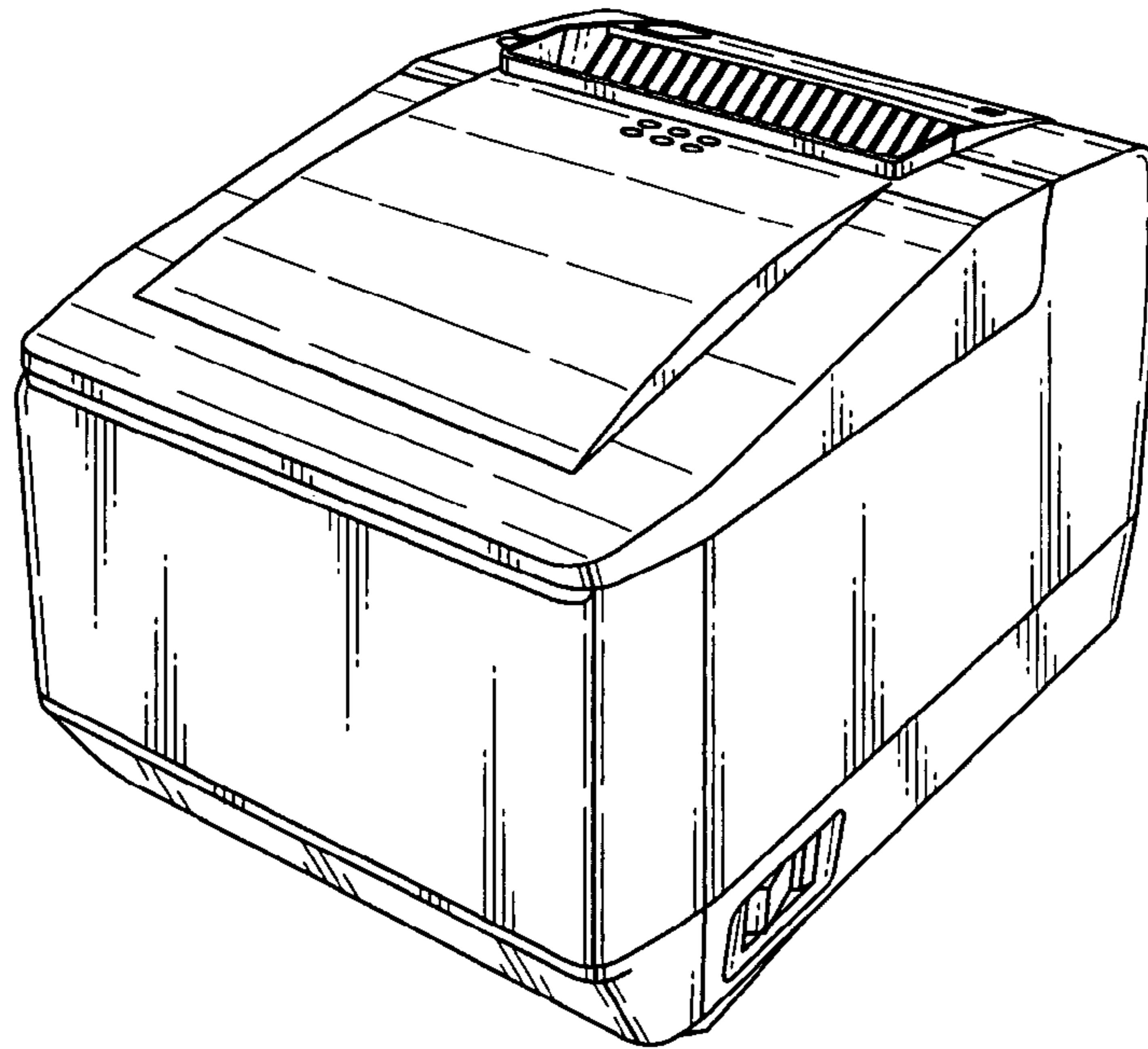


FIG.2

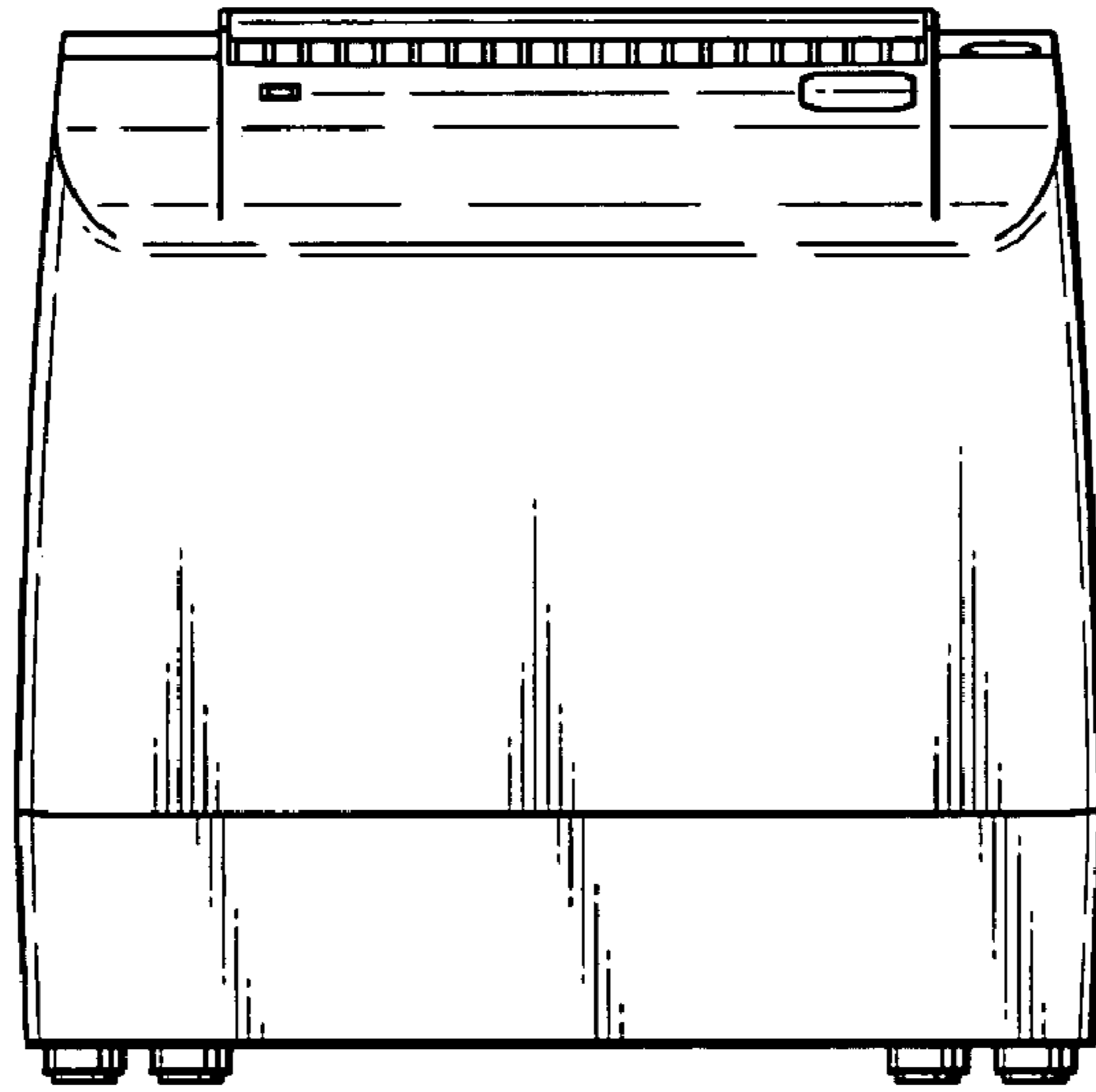


FIG.3

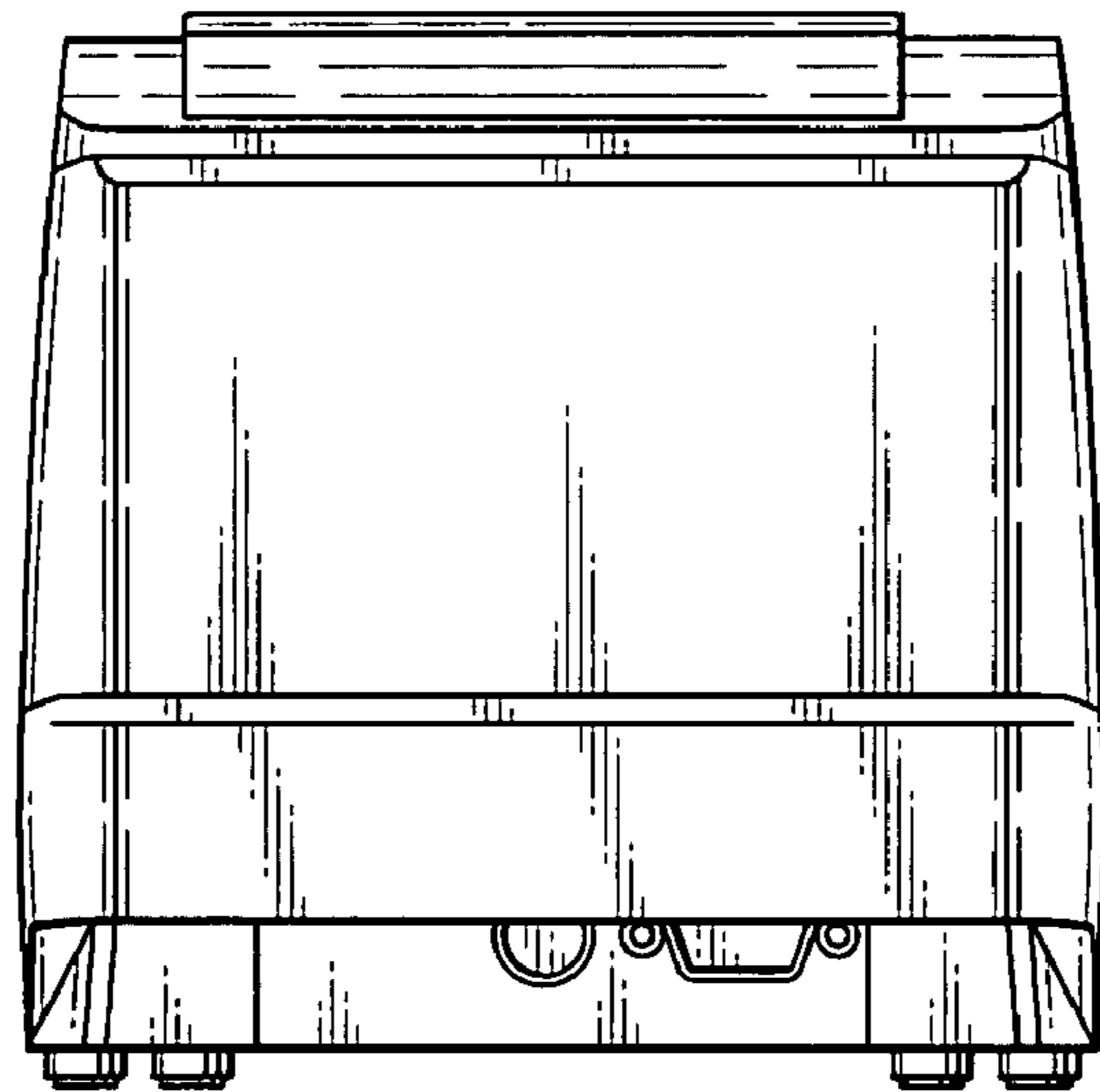


FIG.4

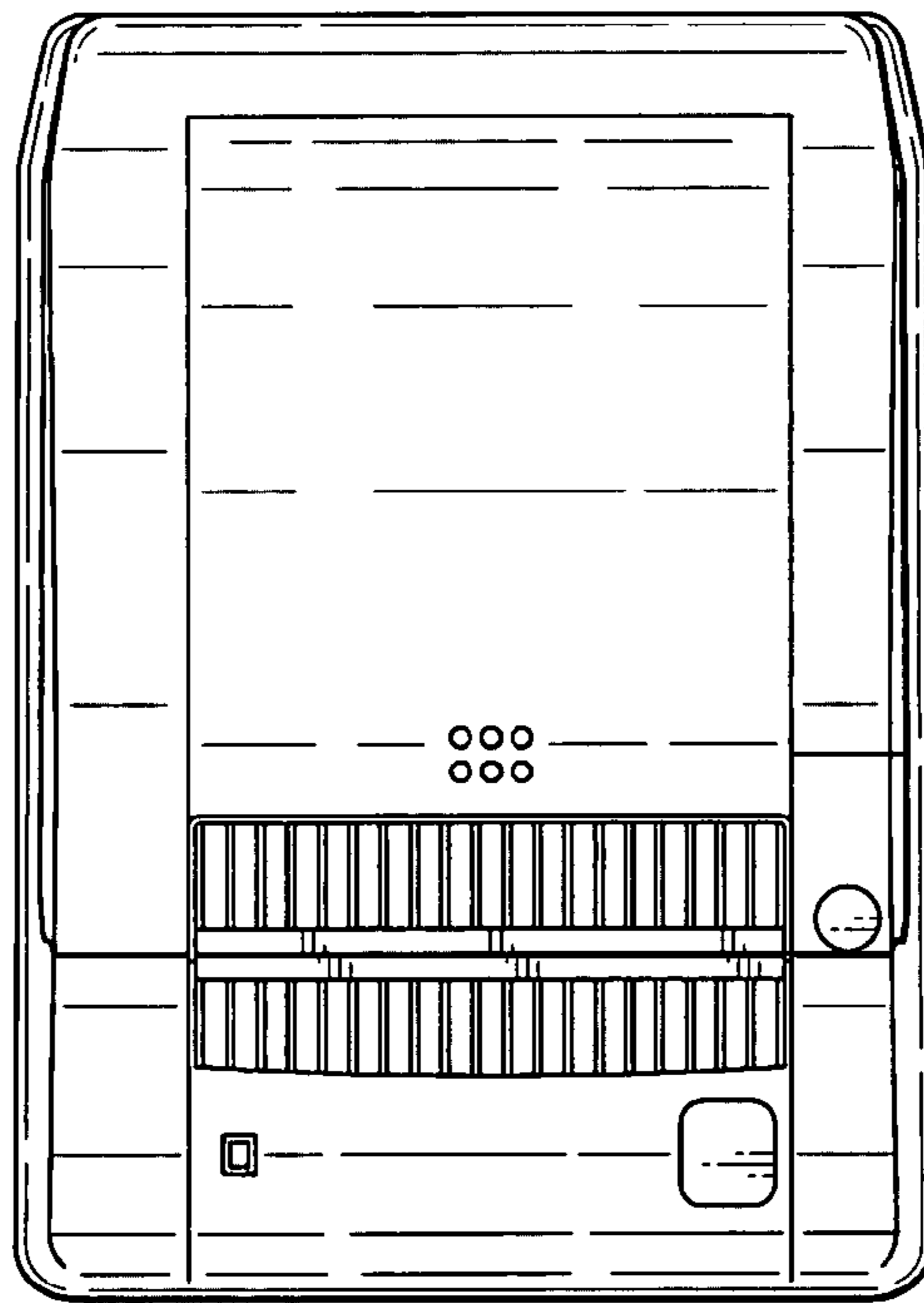


FIG.5

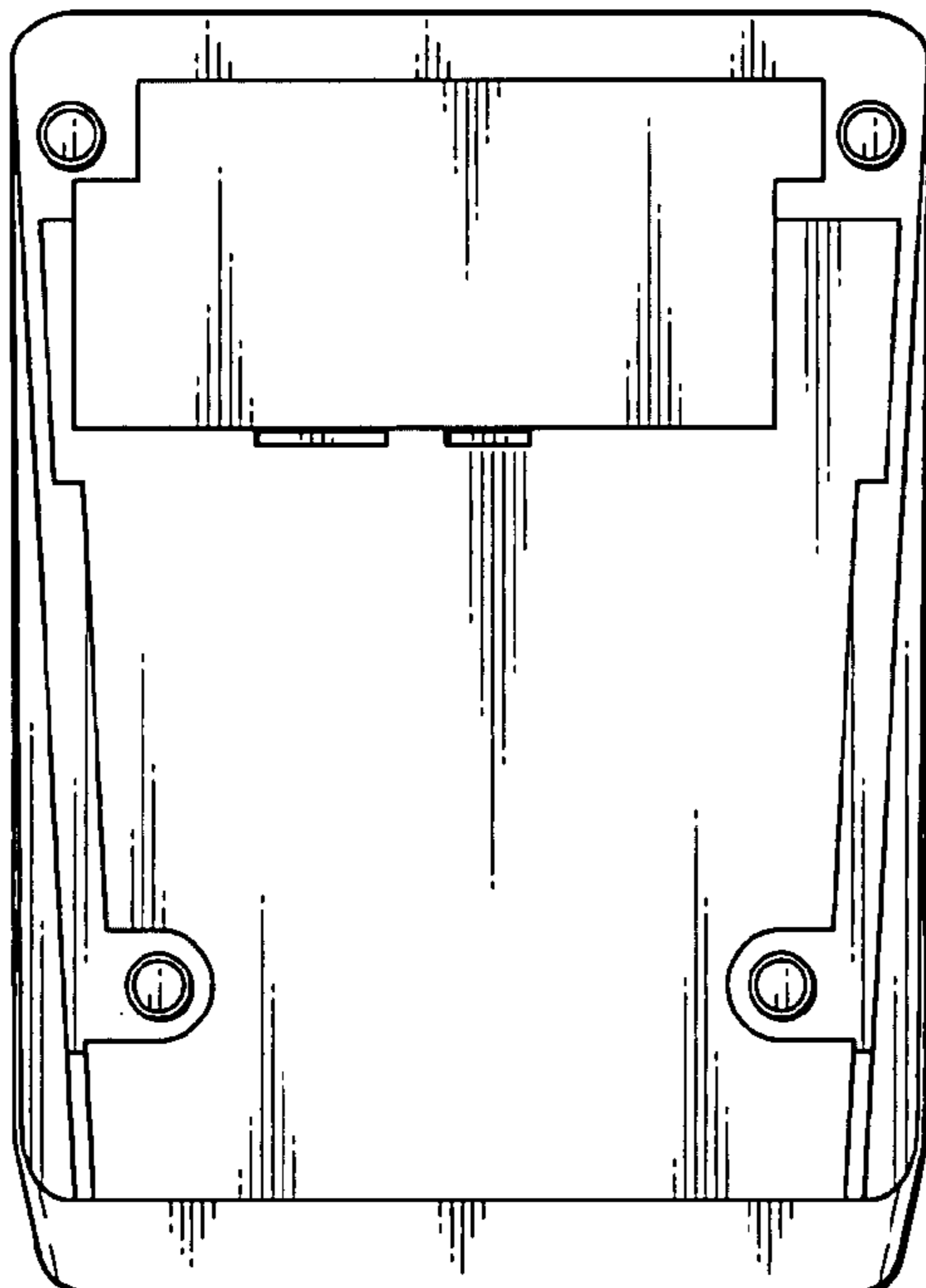


FIG.6

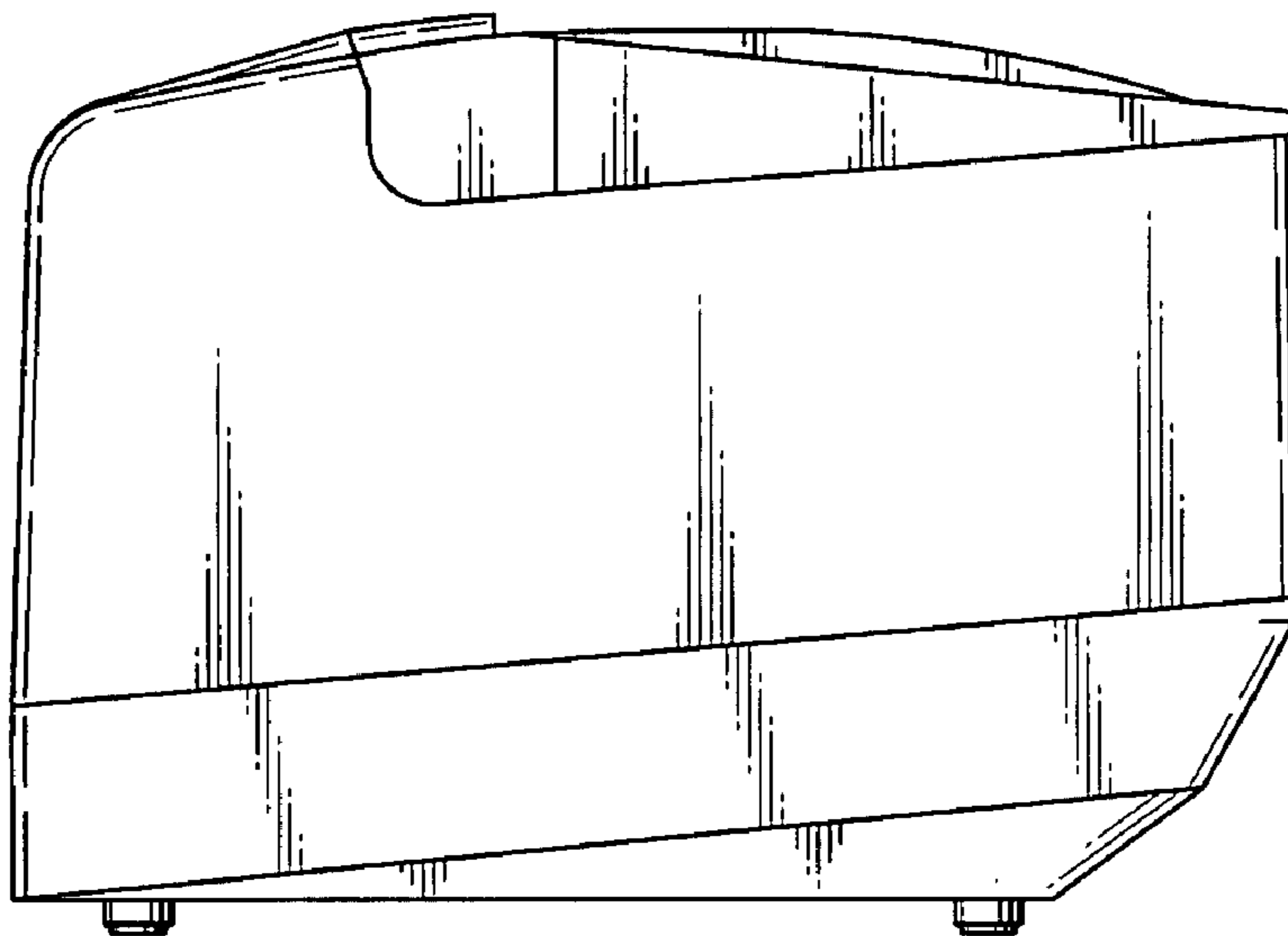


FIG. 7

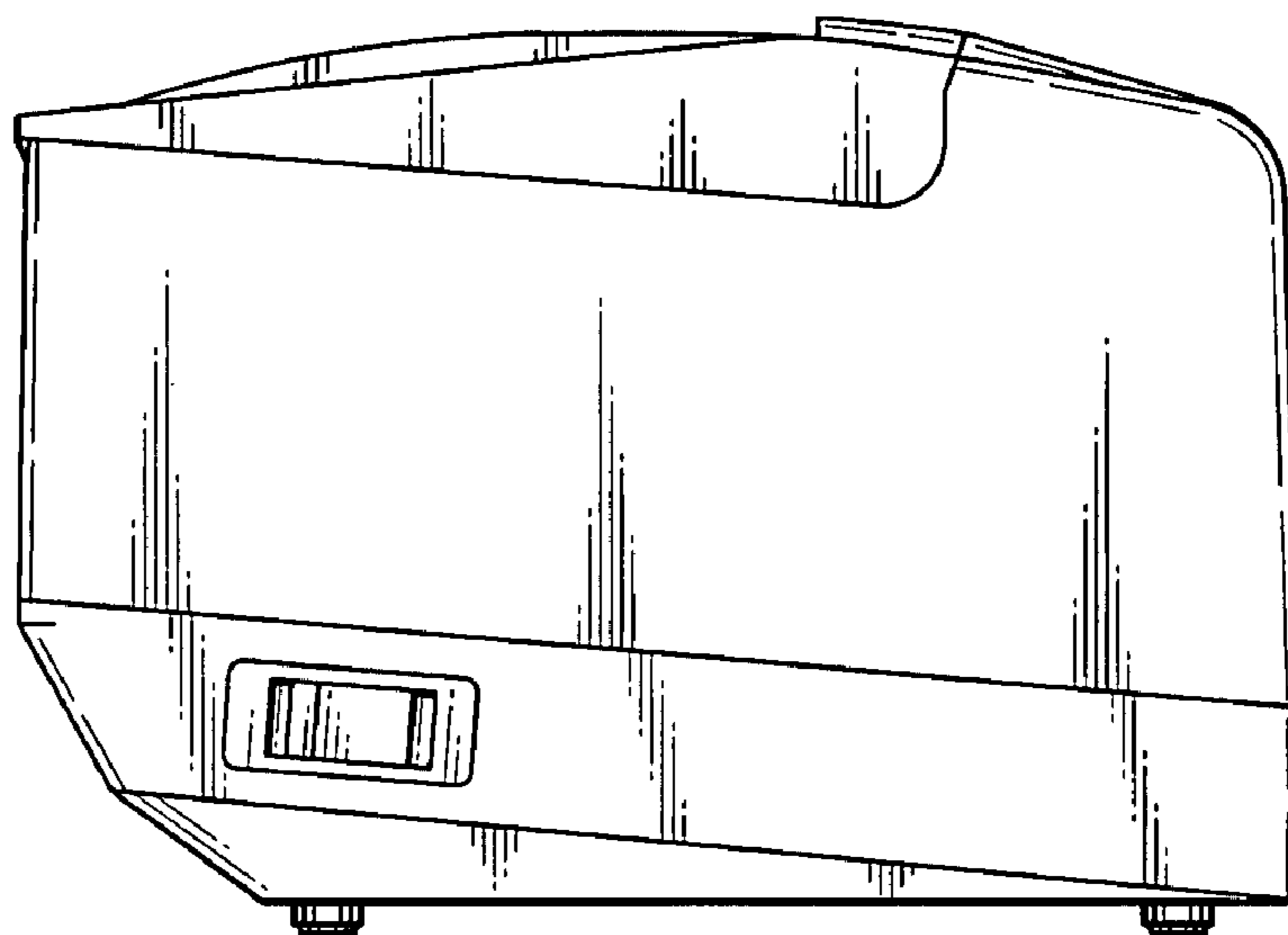


FIG. 8