



US00D590872S

(12) **United States Design Patent**
Sakano

(10) **Patent No.:** **US D590,872 S**

(45) **Date of Patent:** **** Apr. 21, 2009**

(54) **PRINTER**

(75) Inventor: **Hideki Sakano**, Matsumoto (JP)

(73) Assignee: **Seiko Epson Corporation** (JP)

(**) Term: **14 Years**

(21) Appl. No.: **29/310,303**

(22) Filed: **Aug. 6, 2008**

Related U.S. Application Data

(62) Division of application No. 29/288,410, filed on Jun. 8, 2007.

Foreign Application Priority Data

Apr. 3, 2007 (JP) 2007-008755
Apr. 3, 2007 (JP) 2007-008756

(51) **LOC (9) Cl.** **18-02**

(52) **U.S. Cl.** **D18/50**

(58) **Field of Classification Search** D18/36-39,
D18/41, 50, 54-55, 4.4; D14/420-425, 462-470;
400/613, 613.1-613.4, 690.1-690.4, 691-694
See application file for complete search history.

(56) **References Cited**

U.S. PATENT DOCUMENTS

D219,148 S 11/1970 Priessnetz D14/462
D227,121 S 6/1973 Harrison D14/463
D343,856 S 2/1994 Chan D18/50
D350,364 S 9/1994 Kawashima et al. D18/50

D358,826 S 5/1995 Kuhns D15/146
D415,789 S 10/1999 Lardant D18/50
D443,889 S 6/2001 Yamano et al. D18/50
D446,544 S 8/2001 Platner et al. D18/50
D460,780 S 7/2002 Dwyer et al. D18/55
D463,486 S 9/2002 Hetzer D18/50
D465,514 S 11/2002 Toh et al. D18/55
D475,738 S 6/2003 Hwang et al. D18/55
D529,079 S 9/2006 Sugrue et al. D18/51
D530,364 S 10/2006 Huang D18/55
D550,680 S 9/2007 Ogawa et al. D14/462
2002/0141806 A1 10/2002 Endo et al. 400/693

Primary Examiner—Cathy Anne MacCormac

(74) *Attorney, Agent, or Firm*—Harness, Dickey & Pierce, P.L.C.

(57) **CLAIM**

The ornamental design for a printer, as shown and described.

DESCRIPTION

FIG. 1 is a perspective view of a printer, as viewed from the top, front and right side, embodying my new design;

FIG. 2 is a perspective view thereof, as viewed from the top, rear and right side;

FIG. 3 is a right side view thereof;

FIG. 4 is a left side view thereof;

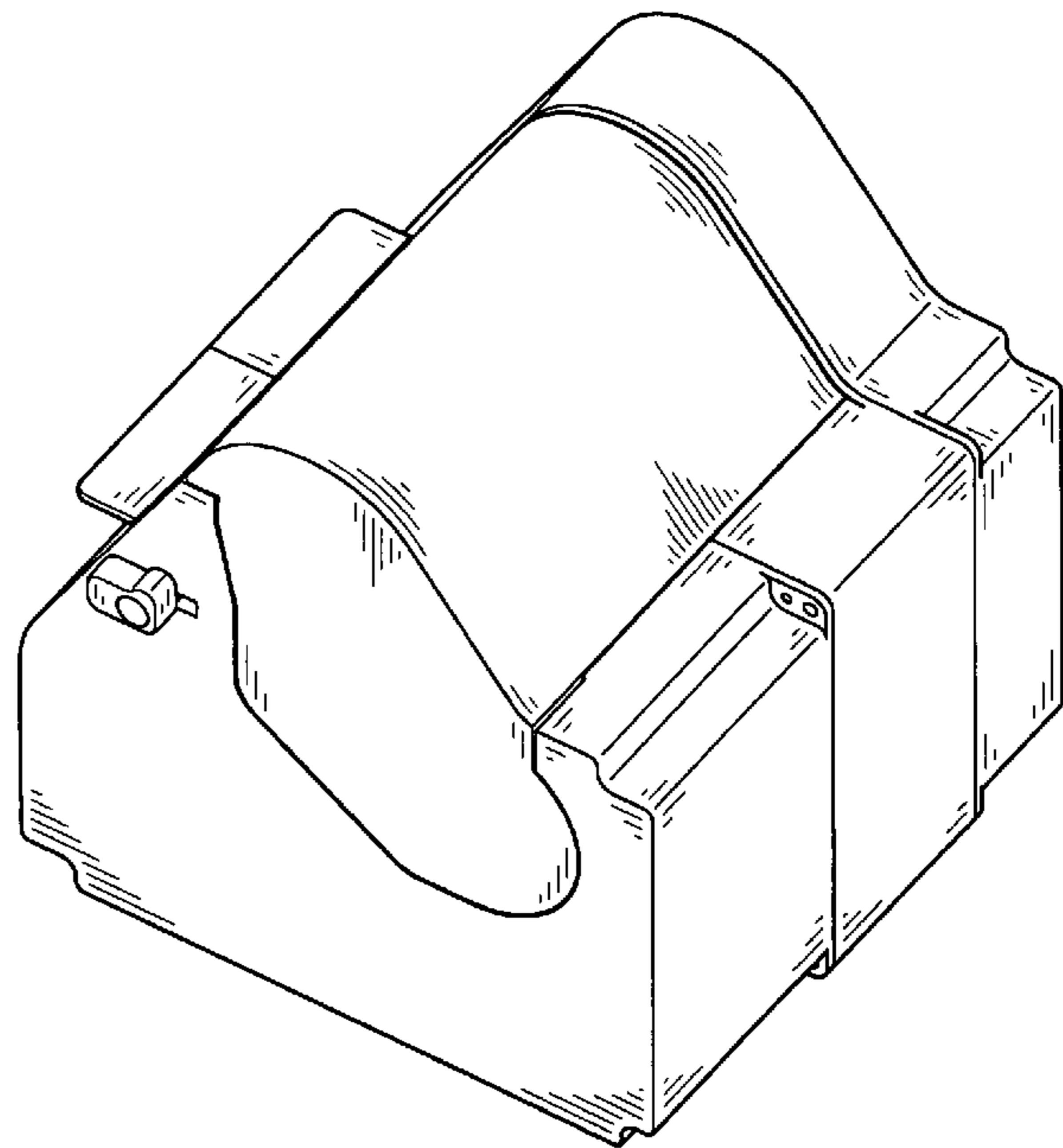
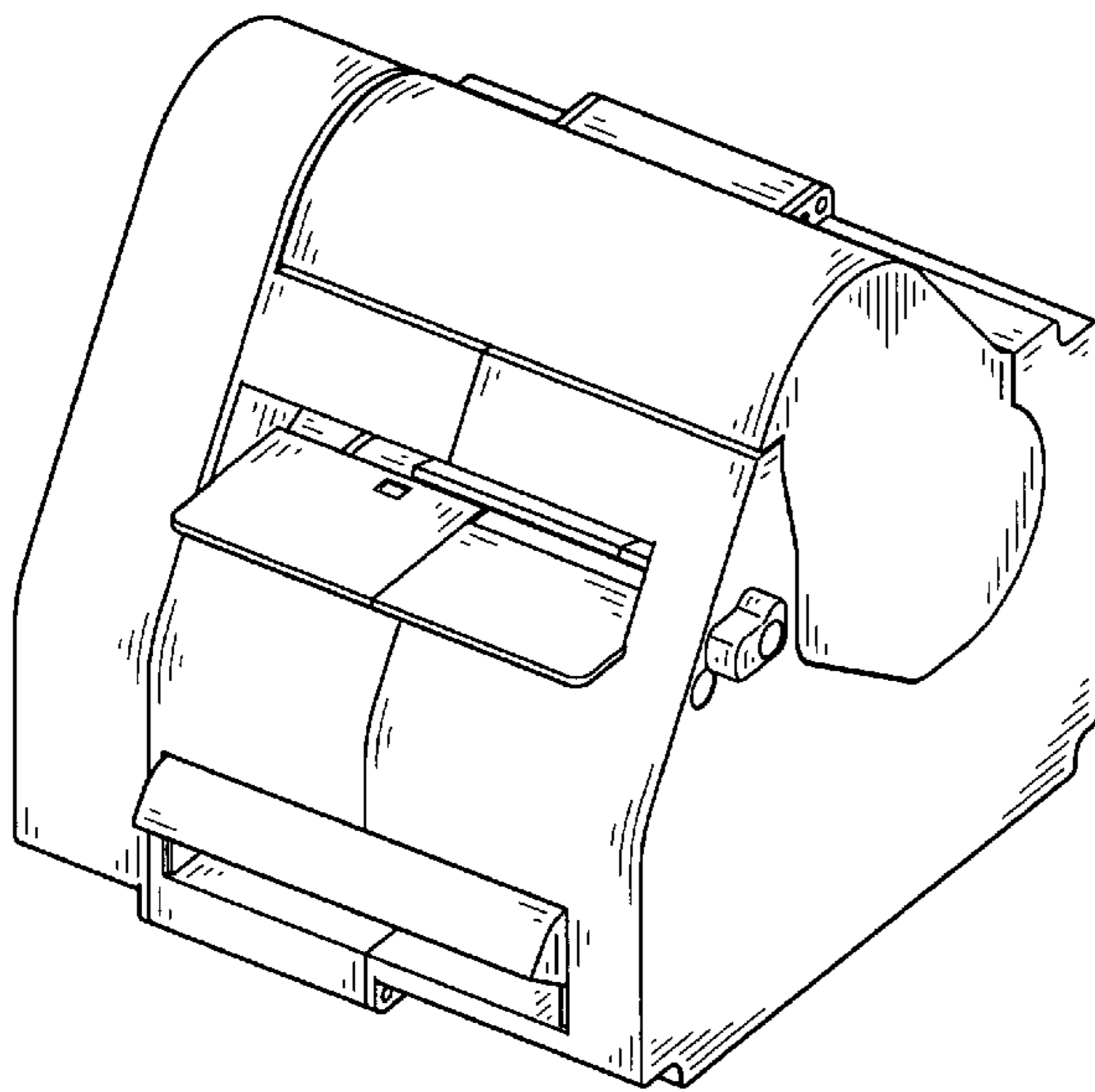
FIG. 5 is a front view thereof;

FIG. 6 is a rear view thereof;

FIG. 7 is a top view thereof; and,

FIG. 8 is a bottom view thereof.

1 Claim, 4 Drawing Sheets



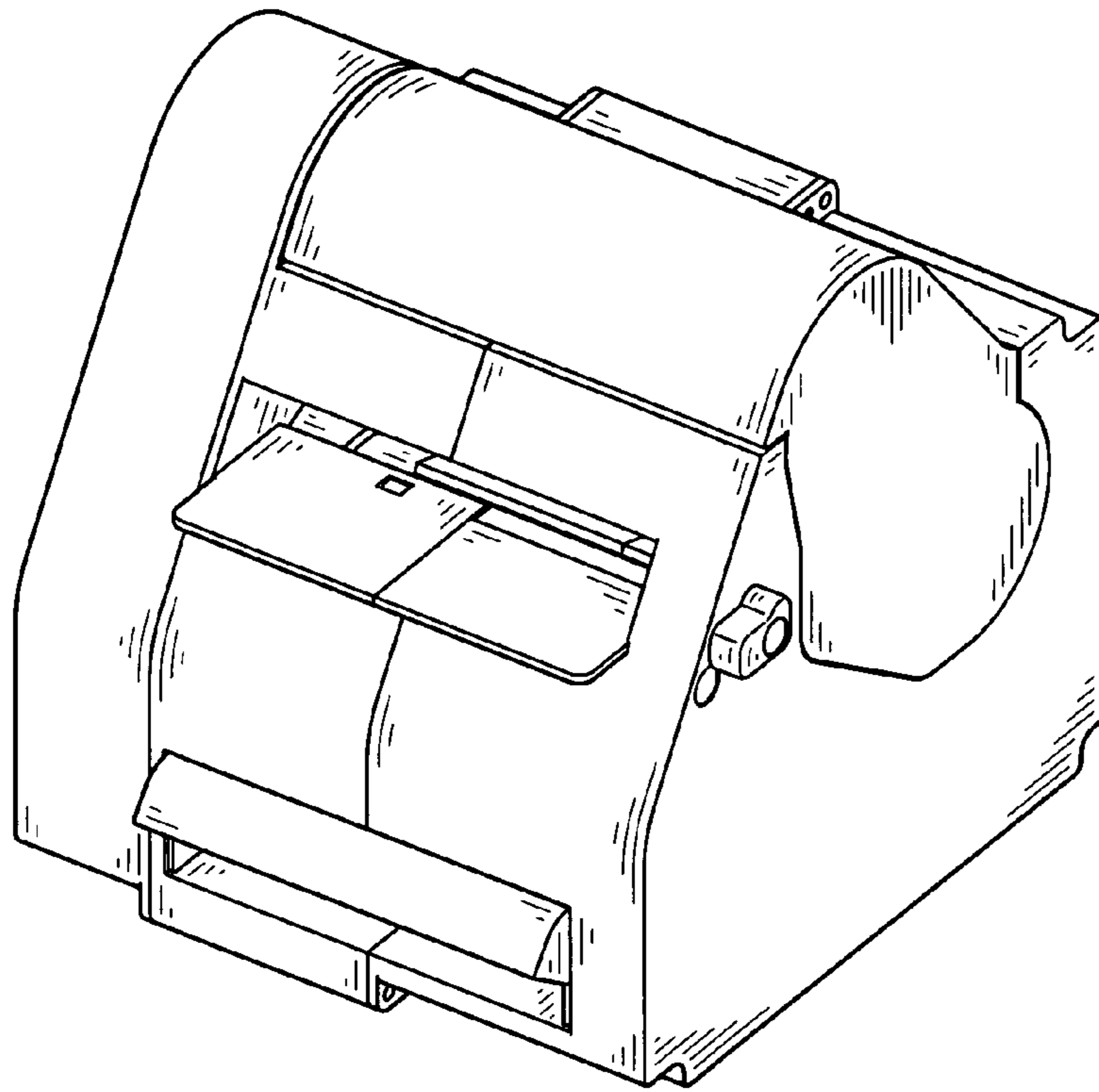


FIG. 1

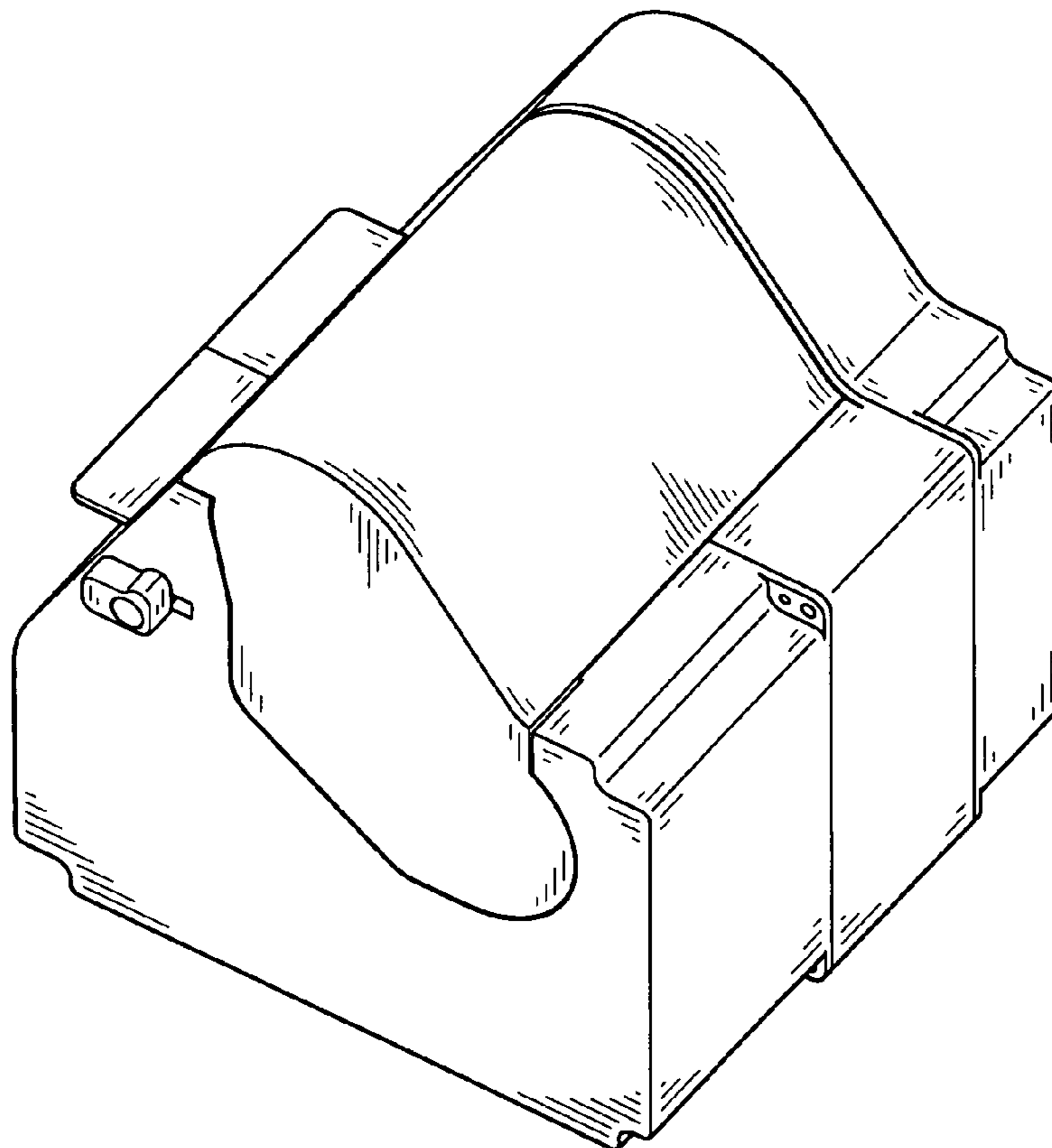


FIG. 2

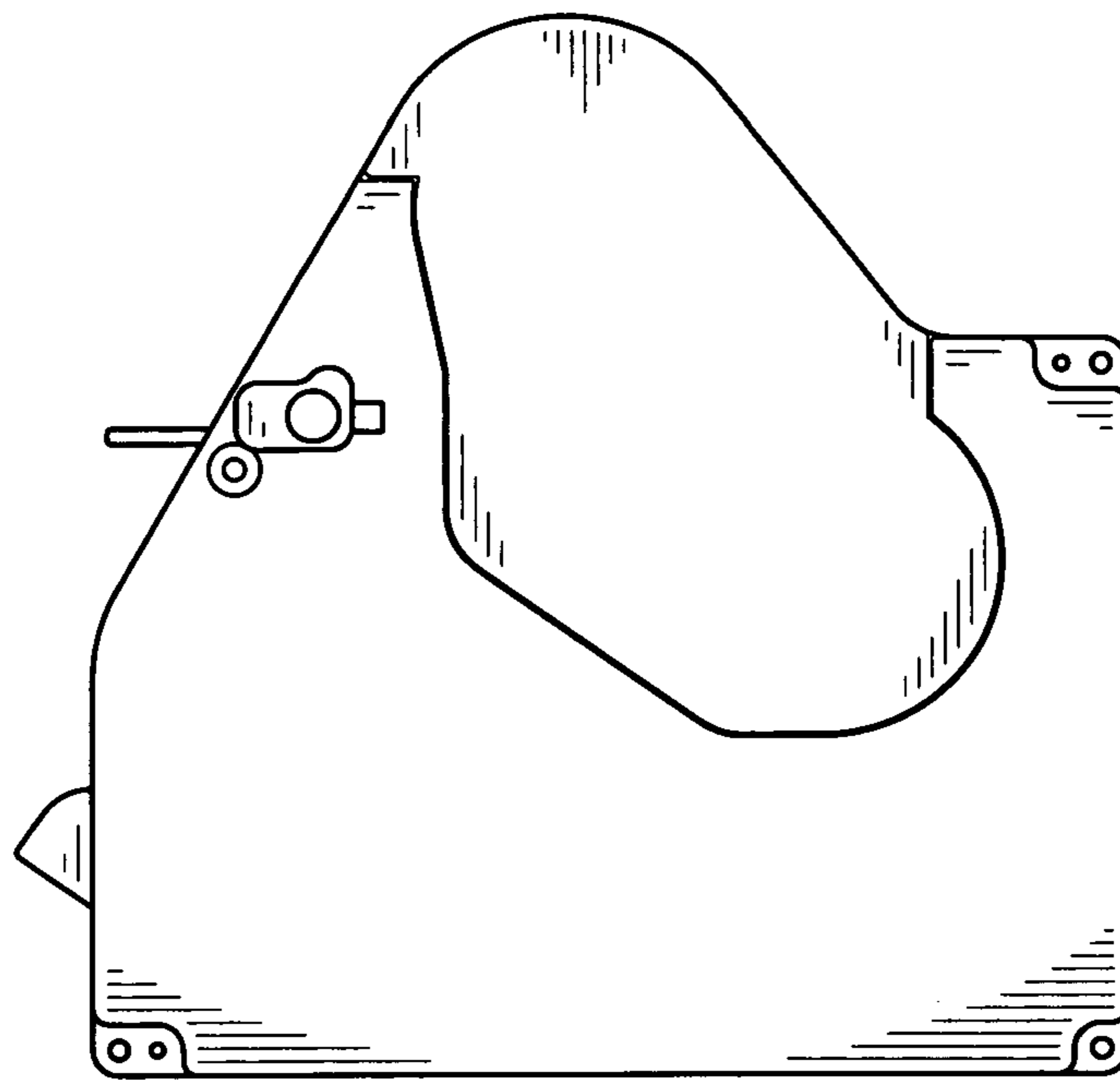


FIG. 3

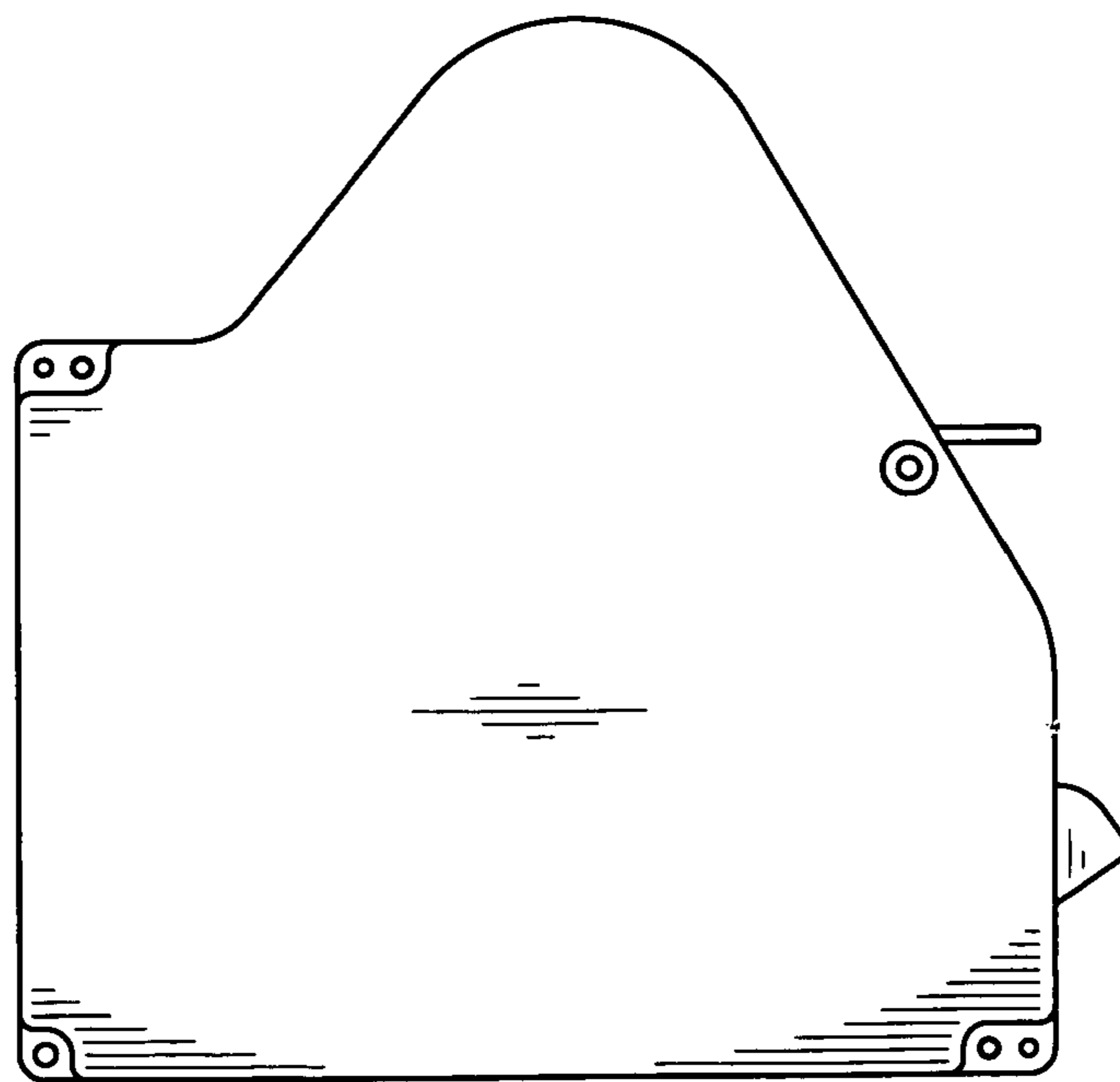


FIG. 4

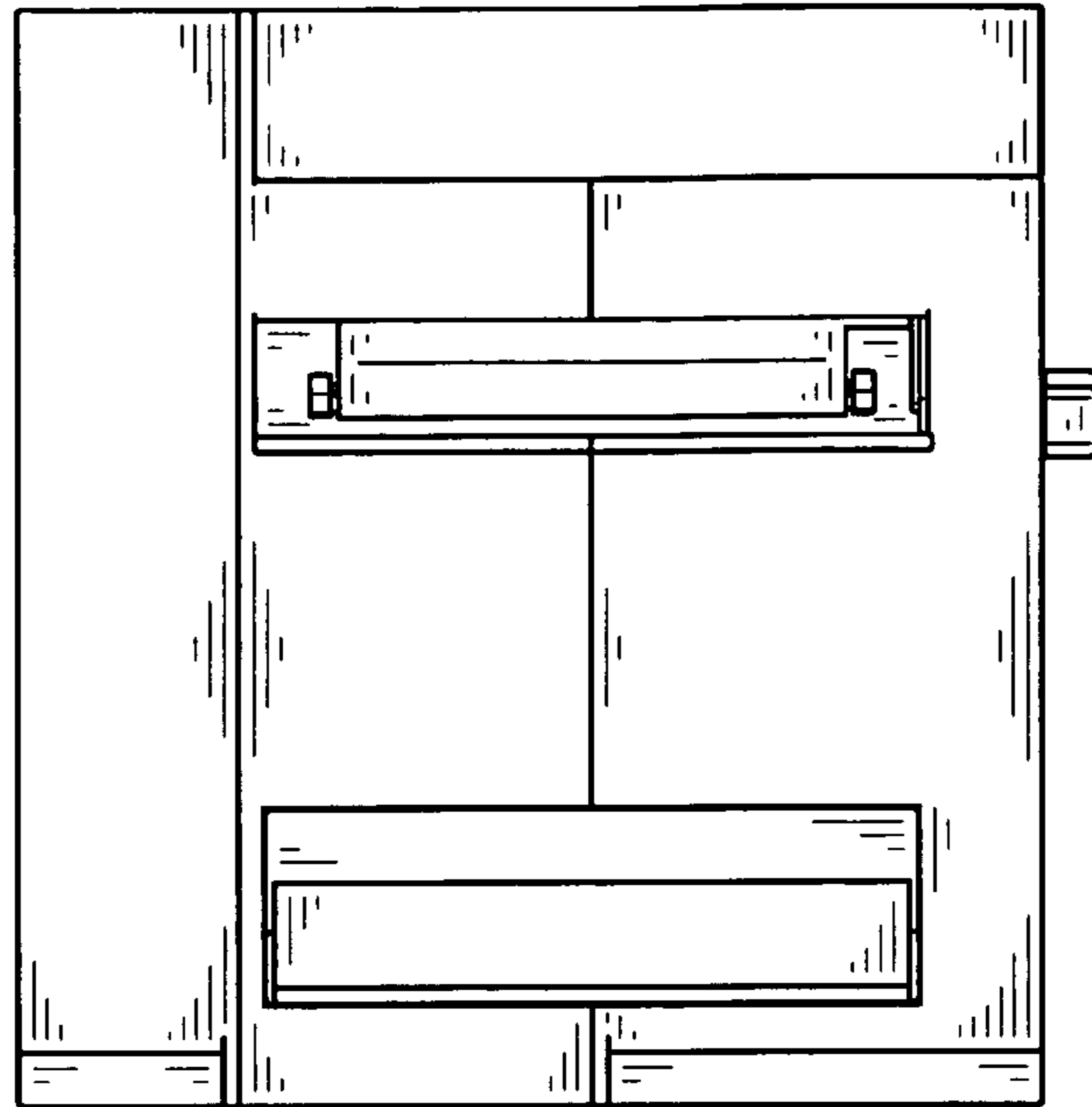


FIG. 5

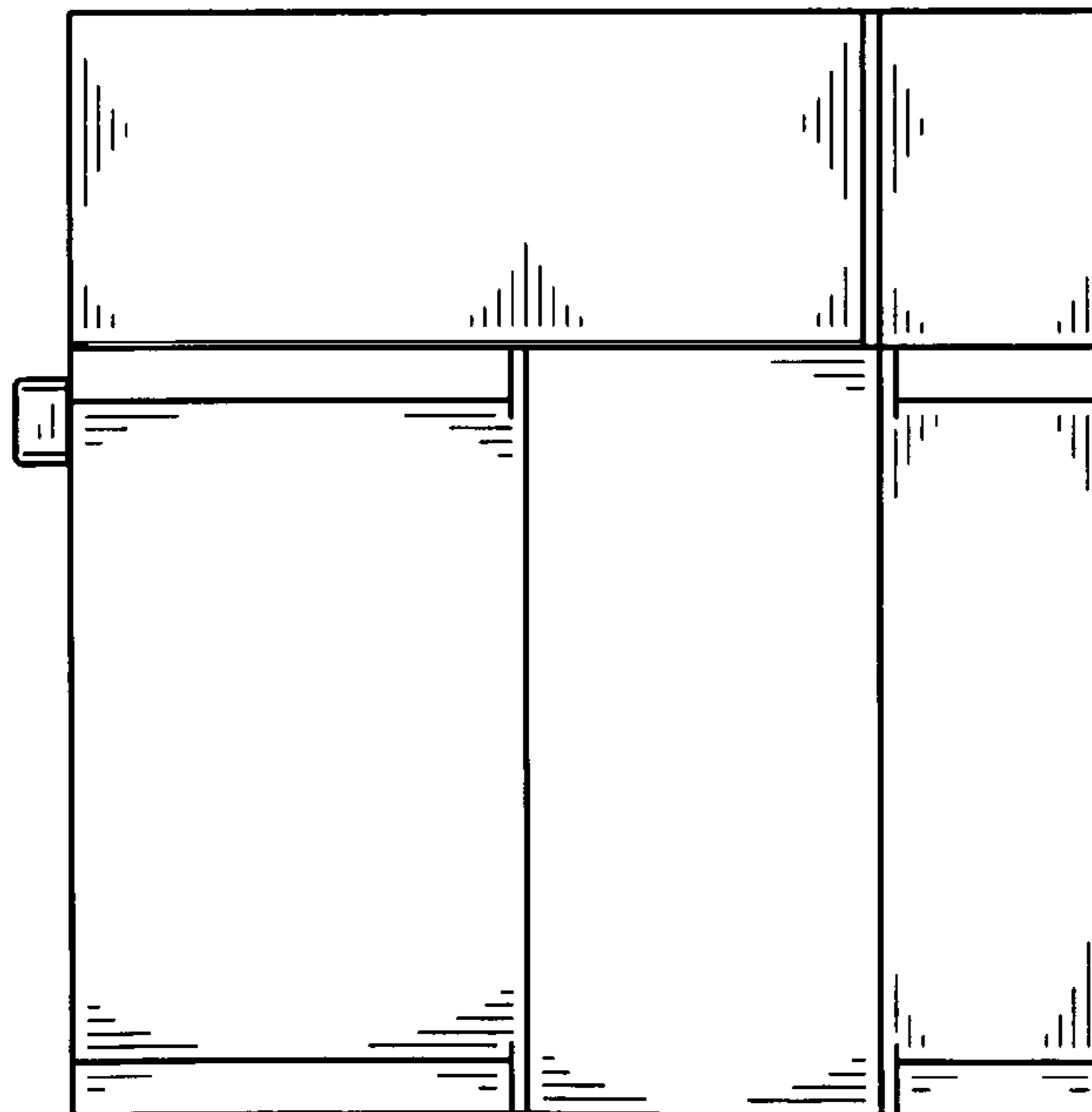


FIG. 6

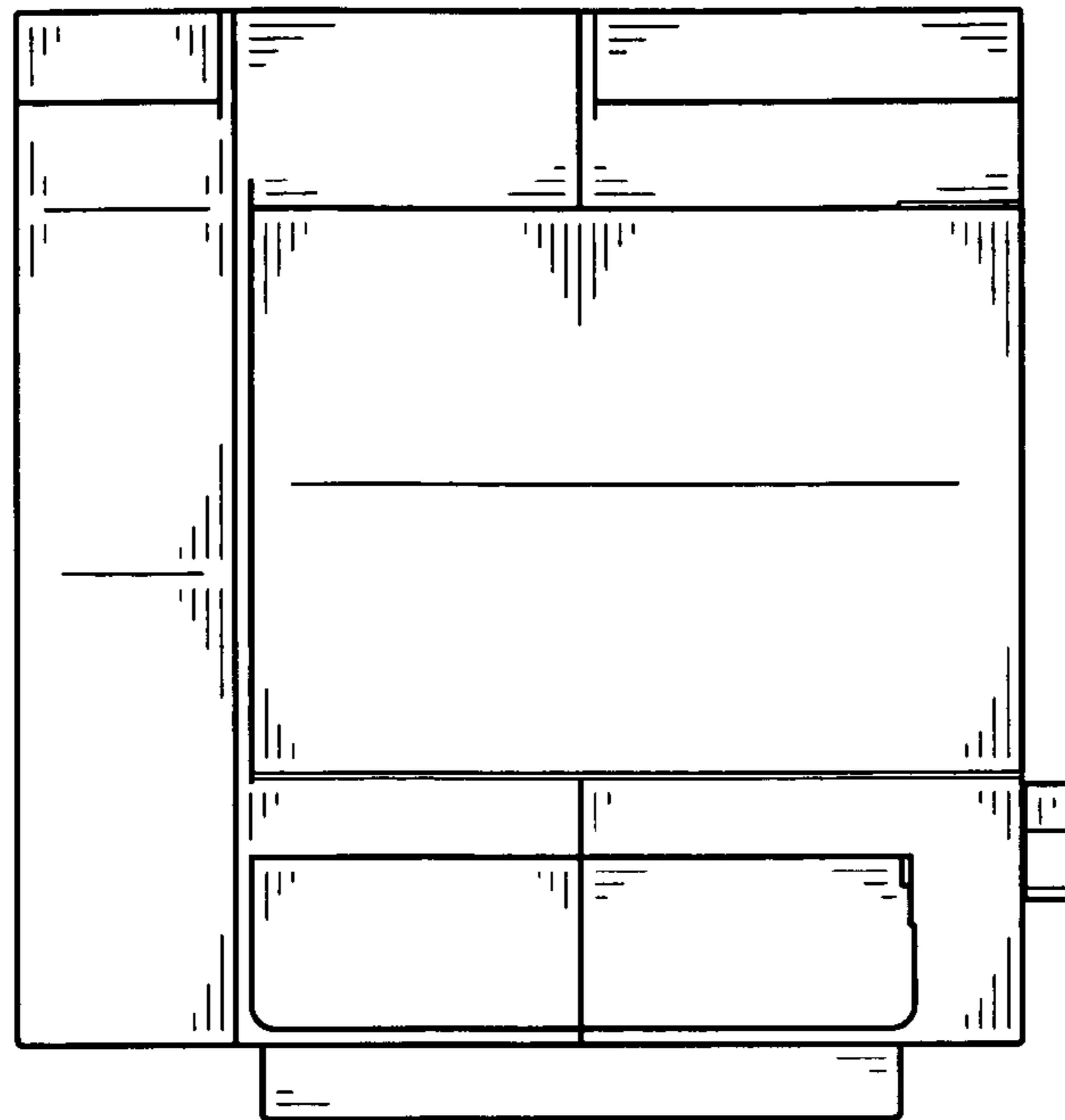


FIG. 7

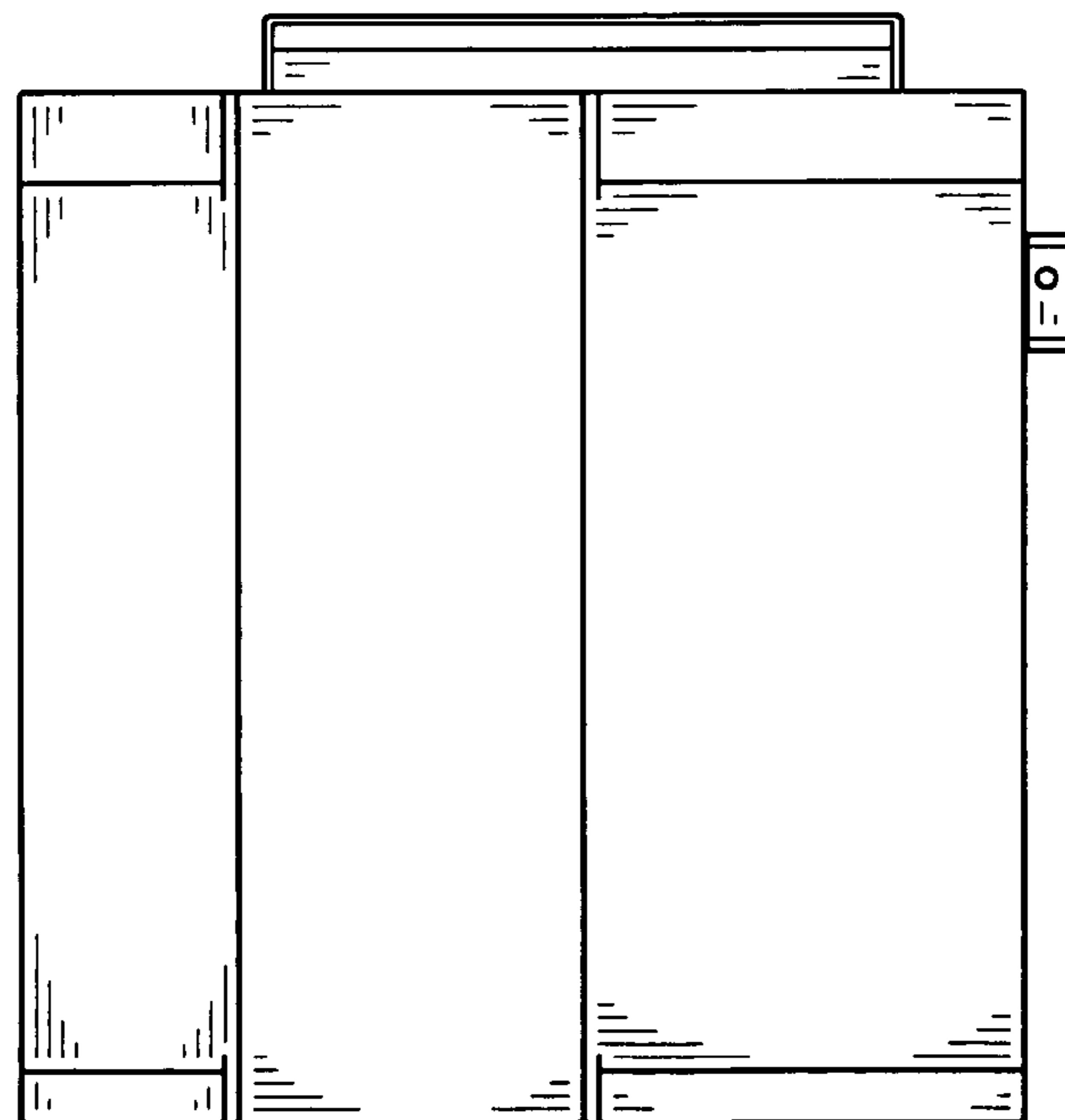


FIG. 8