



US00D590871S

(12) **United States Design Patent**  
**Yoshizawa**

(10) **Patent No.:** **US D590,871 S**

(45) **Date of Patent:** **\*\* Apr. 21, 2009**

(54) **TONER CARTRIDGE HOLDER**

(75) Inventor: **Hideo Yoshizawa**, Saitama (JP)

(73) Assignee: **Ricoh Company, Ltd.**, Tokyo (JP)

(\*\*) Term: **14 Years**

(21) Appl. No.: **29/304,097**

(22) Filed: **Feb. 25, 2008**

(30) **Foreign Application Priority Data**

Aug. 30, 2007 (JP) ..... 2007-023494

(51) **LOC (9) Cl.** ..... **16-03**

(52) **U.S. Cl.** ..... **D18/43**

(58) **Field of Classification Search** ..... D14/462,  
D14/471, 474, 475; D18/12, 36, 40, 43,  
D18/44, 56; 222/DIG. 1; 347/49, 197, 214,  
347/222; 399/24-27, 107-112, 119, 121,  
399/122, 222-224

See application file for complete search history.

(56) **References Cited**

**U.S. PATENT DOCUMENTS**

D215,358 S \* 9/1969 Knowles et al. .... D14/475  
5,579,101 A \* 11/1996 Omata et al. .... 222/DIG. 1  
6,471,333 B1 \* 10/2002 Powell et al. .... 347/49  
D472,572 S \* 4/2003 Kaiho ..... D18/43

D521,549 S \* 5/2006 Sasaki et al. .... D18/56  
D531,662 S \* 11/2006 Tsuda et al. .... D18/43  
2005/0212898 A1 \* 9/2005 Lee ..... 347/222  
2007/0172254 A1 \* 7/2007 Li ..... 399/122  
2007/0217798 A1 \* 9/2007 Tsuji et al. .... 399/27

\* cited by examiner

*Primary Examiner*—Caron Veynar

*Assistant Examiner*—Garth Rademaker

(74) *Attorney, Agent, or Firm*—Dickstein Shapiro LLP

(57) **CLAIM**

The ornamental design for a toner cartridge holder, as shown and described.

**DESCRIPTION**

FIG. 1 is a front elevation view of a toner cartridge holder according to the present invention;

FIG. 2 is a rear elevation view thereof;

FIG. 3 is a top plan view thereof;

FIG. 4 is a bottom plan view thereof;

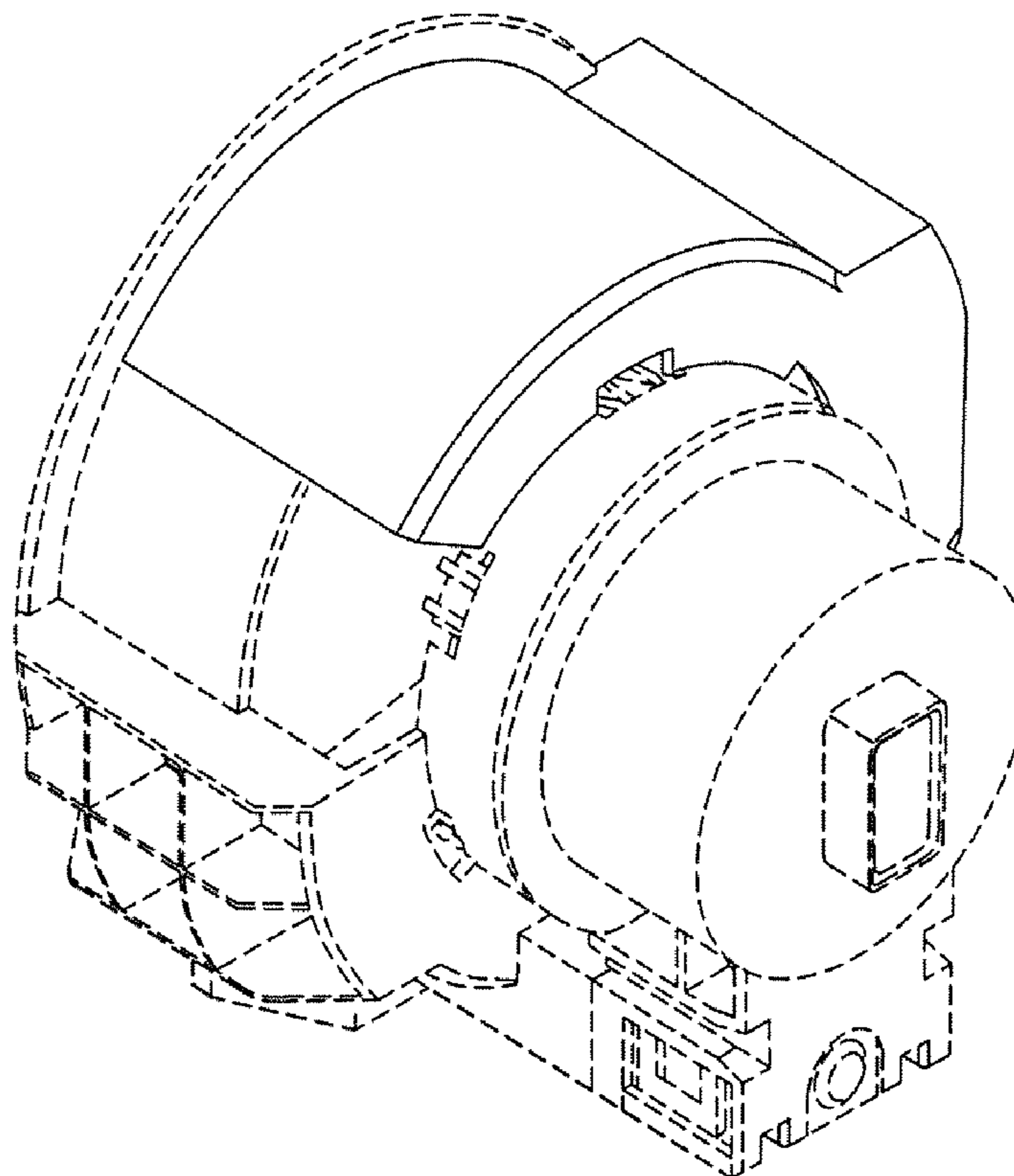
FIG. 5 is a right side elevation view thereof;

FIG. 6 is a left side elevation view thereof; and,

FIG. 7 is a top, front and right side perspective view thereof.

The broken lines depict environmental subject matter only and form no part of the claimed design.

**1 Claim, 4 Drawing Sheets**



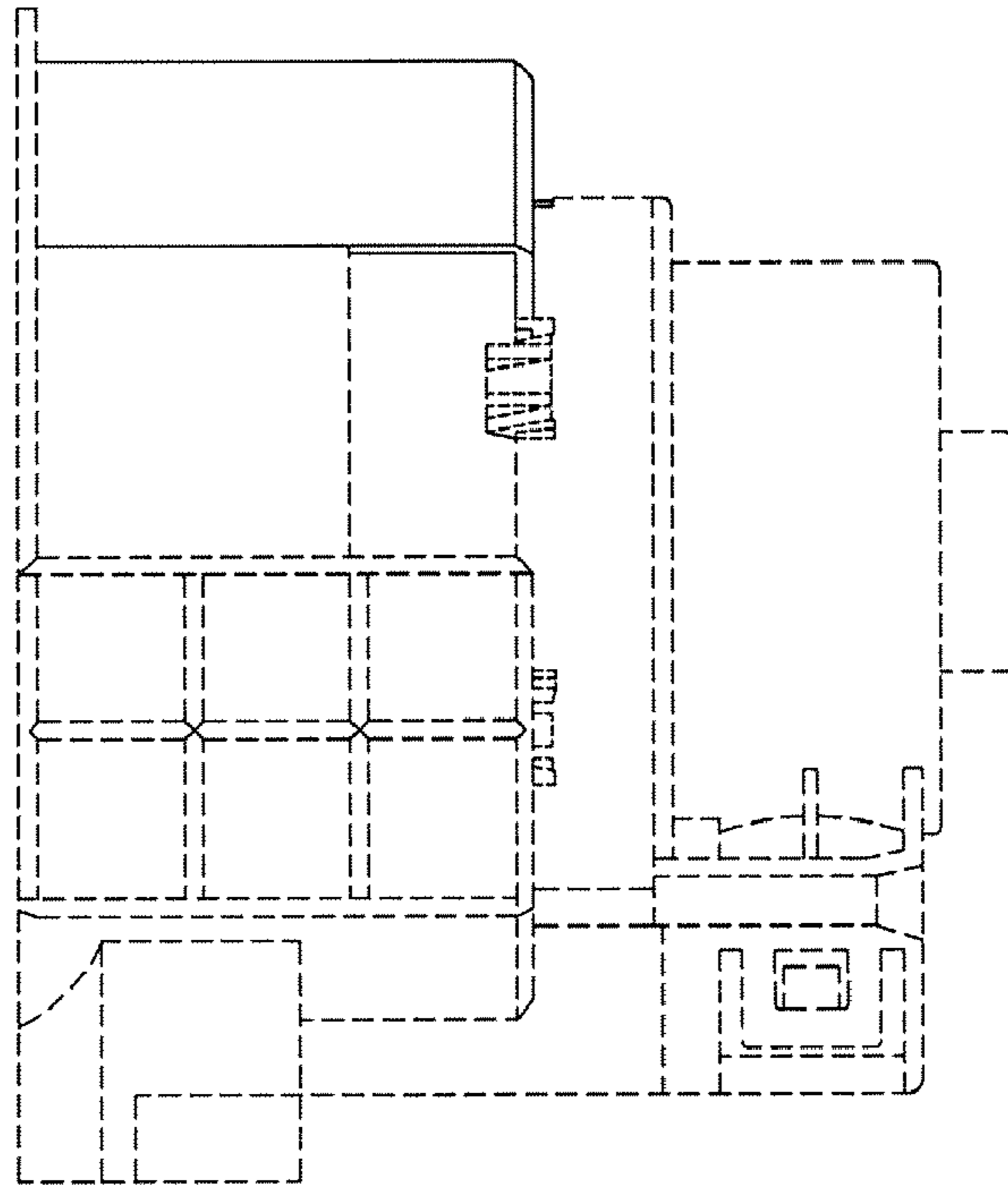


FIG. 1

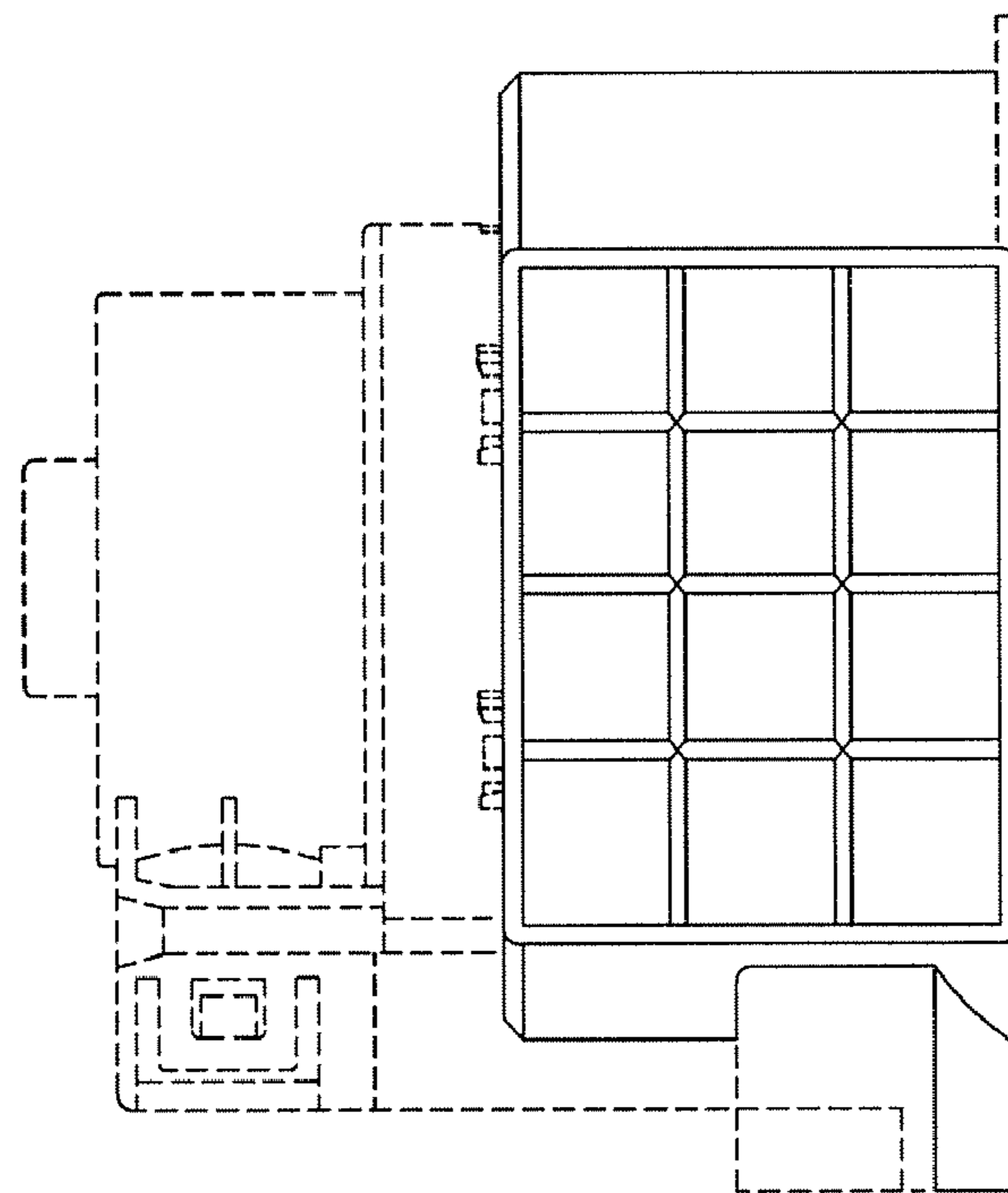


FIG. 2

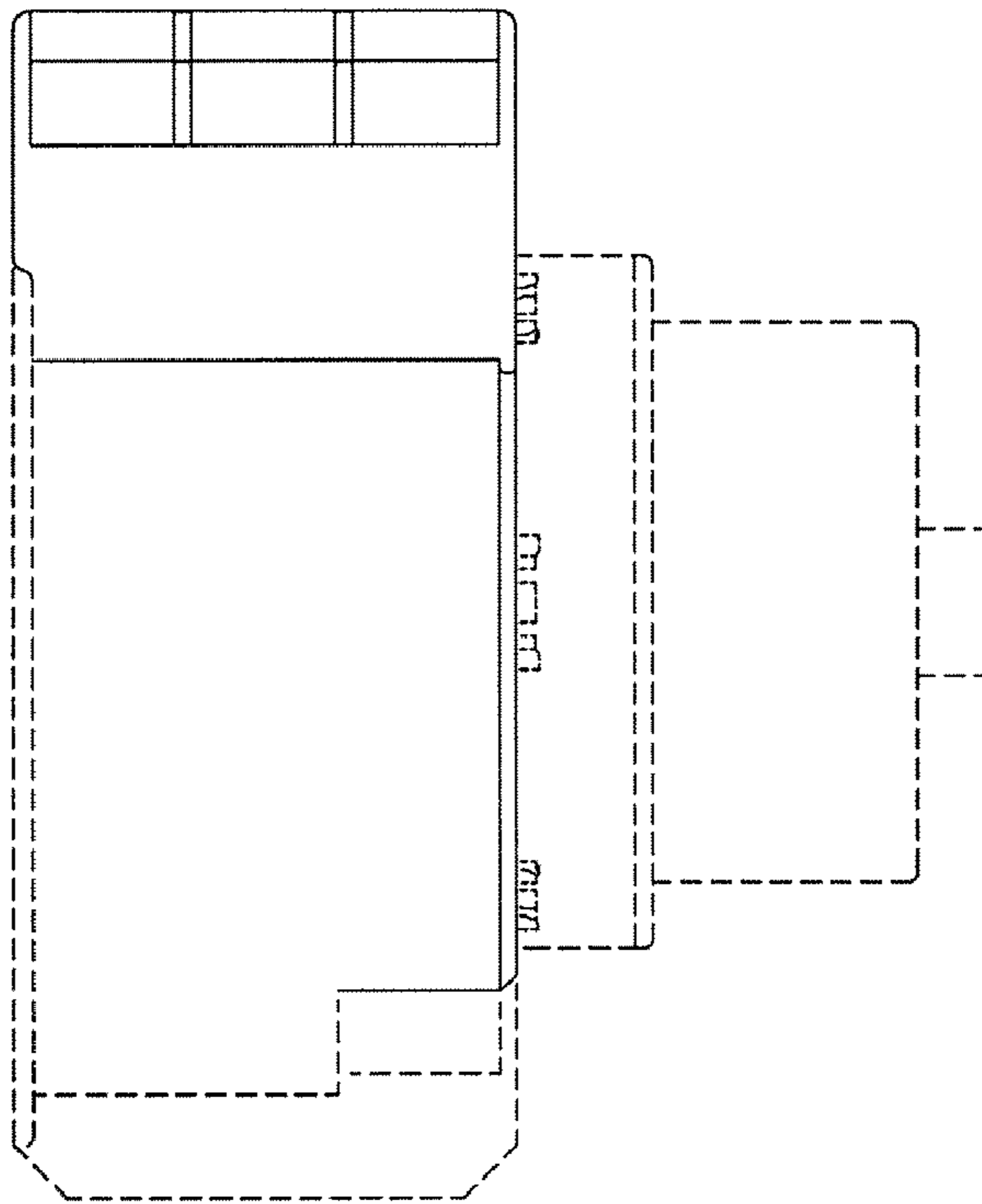


FIG. 3

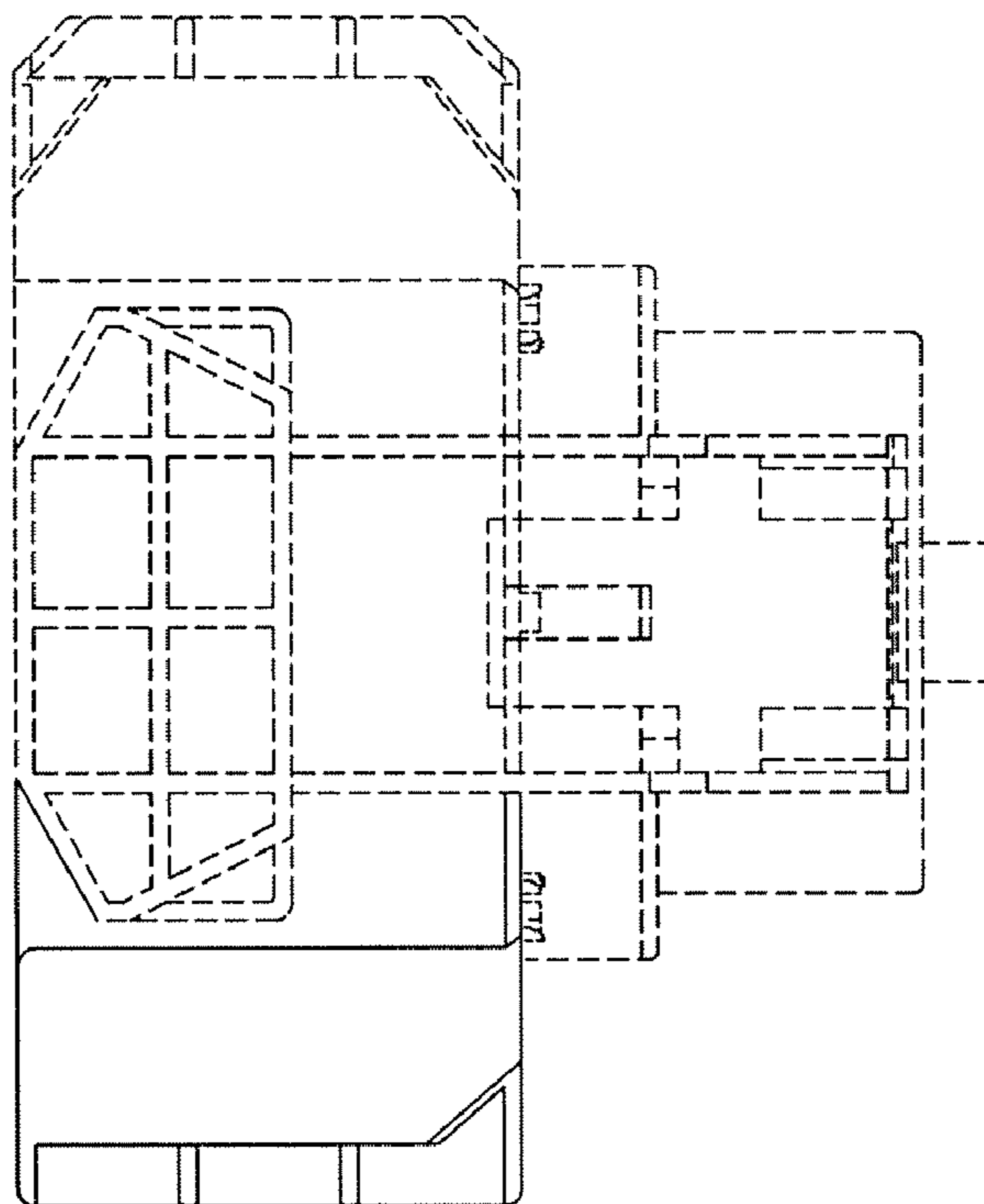


FIG. 4

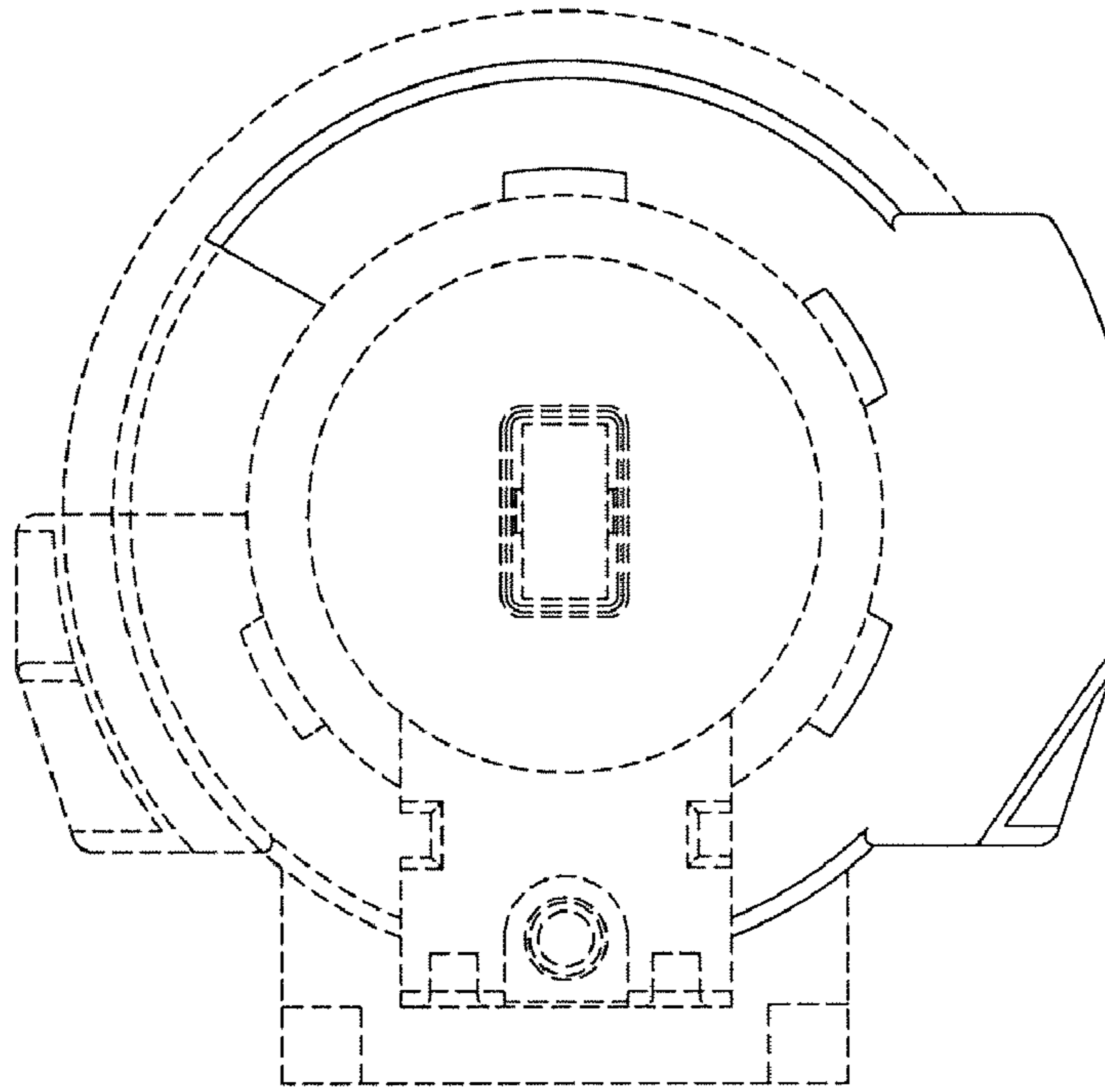


FIG. 5

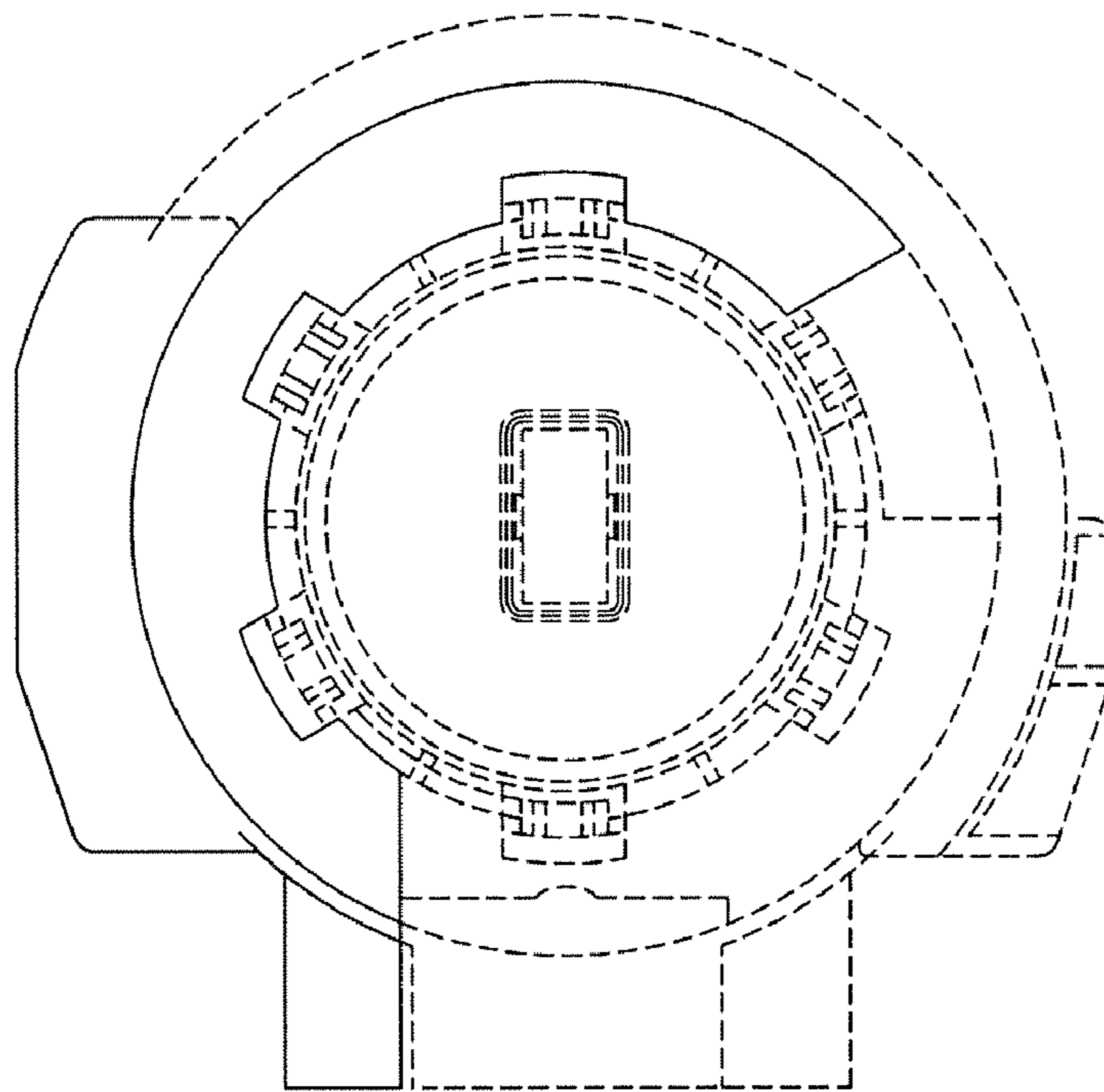


FIG. 6

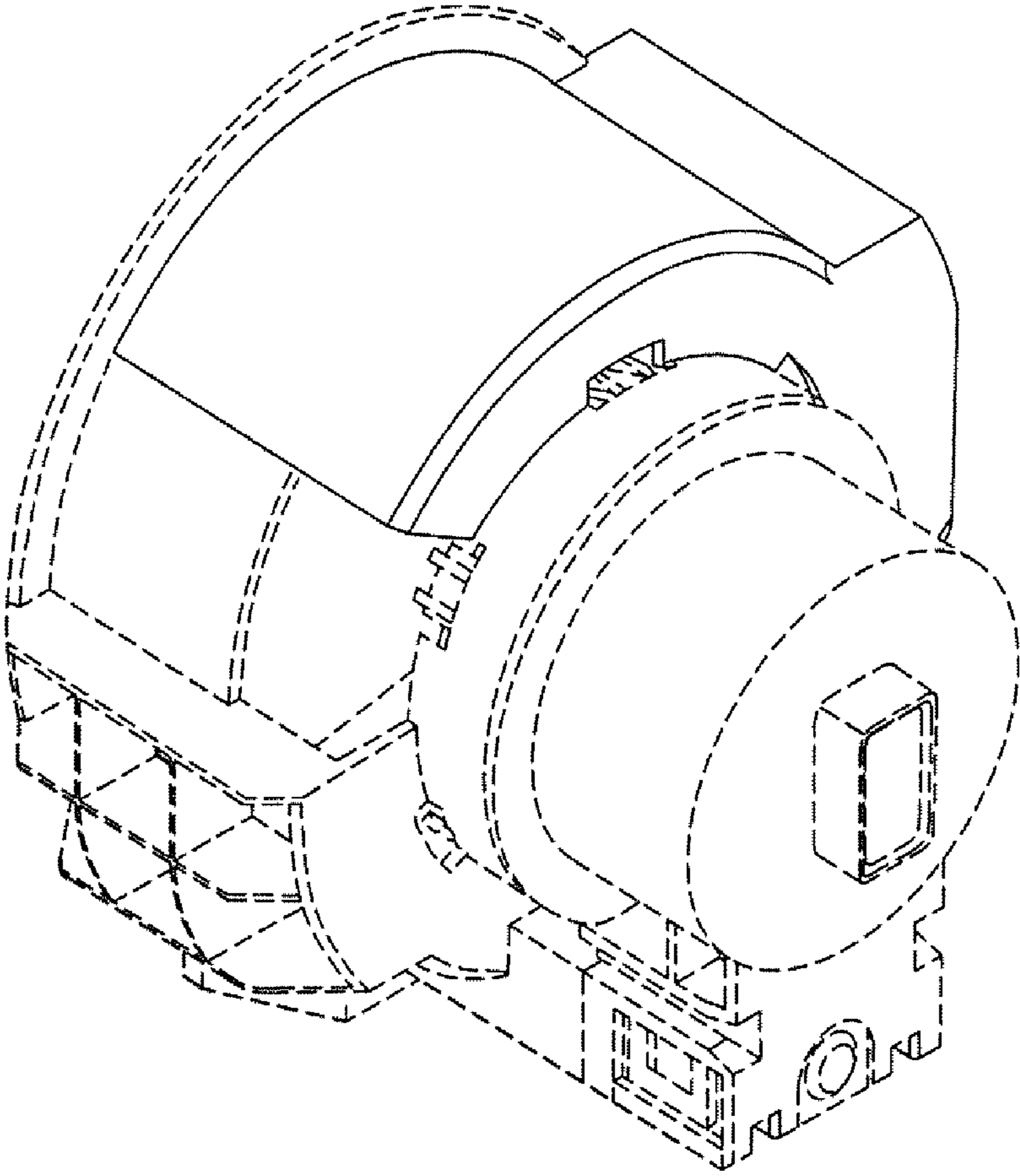


FIG. 7