



US00D590870S

(12) **United States Design Patent**
Kuwada

(10) **Patent No.:** **US D590,870 S**
(45) **Date of Patent:** **** Apr. 21, 2009**

(54) **BANK NOTE SORTER**

(75) Inventor: **Masao Kuwada**, Himeji-Shi (JP)

(73) Assignee: **Glory Ltd.**, Hyogo-Ken (JP)

(**) Term: **14 Years**

(21) Appl. No.: **29/300,123**

(22) Filed: **Feb. 21, 2008**

(30) **Foreign Application Priority Data**

Aug. 22, 2007 (JP) 2007-022650

(51) **LOC (9) Cl.** **18-01**

(52) **U.S. Cl.** **D18/3.3; D18/3.1**

(58) **Field of Classification Search** D18/1,
D18/3.1, 3.2, 3.3, 5, 6, 7, 12.1, 12.2, 12.3,
D18/46-50; D10/46, 97; D99/28, 99, 34,
D99/35; 209/2, 3, 4, 379; 235/379, 449;
382/135; 101/2, 3.1, 4, 5

See application file for complete search history.

(56) **References Cited**

U.S. PATENT DOCUMENTS

D274,520 S * 7/1984 Bressler D18/49
D338,905 S * 8/1993 Helgeson D18/3.3
D369,984 S * 5/1996 Larsen D10/97
D377,766 S * 2/1997 Hidaka et al. D18/3.3
5,938,044 A * 8/1999 Weggesser 209/534
D427,623 S * 7/2000 Kuwada et al. D18/3.1
D439,604 S * 3/2001 Takagi et al. D18/3.3
6,351,551 B1 * 2/2002 Munro et al. 382/135
D457,554 S * 5/2002 Takagi et al. D18/3.3

6,493,461 B1 * 12/2002 Mennie et al.
6,908,029 B2 * 6/2005 Numata et al. 235/375
6,913,130 B1 * 7/2005 Mazur et al. 194/207
D517,115 S * 3/2006 Kuwada D18/3.3
D539,332 S * 3/2007 Gonzalez D18/3.3
D560,711 S * 1/2008 Robinson et al. D18/3.3
D562,377 S * 2/2008 Kuroda D18/3.3
2001/0015311 A1 * 8/2001 Mennie 194/302
2003/0118228 A1 * 6/2003 Mennie et al. 382/135

* cited by examiner

Primary Examiner—Stella M Reid

Assistant Examiner—Elizabeth J Oswecki

(74) *Attorney, Agent, or Firm*—Wenderoth, Lind & Ponack,
L.L.P.

(57) **CLAIM**

The ornamental design for a bank note sorter, as shown and described.

DESCRIPTION

FIG. 1 is a perspective view of a bank note sorter showing my new design;

FIG. 2 is a front view thereof;

FIG. 3 is a rear view thereof;

FIG. 4 is a top plan view thereof;

FIG. 5 is a bottom plan view thereof;

FIG. 6 is a left side view thereof; and,

FIG. 7 is a right side view thereof.

The portions of the bank note sorter shown in broken lines form no part of the claimed design.

1 Claim, 7 Drawing Sheets

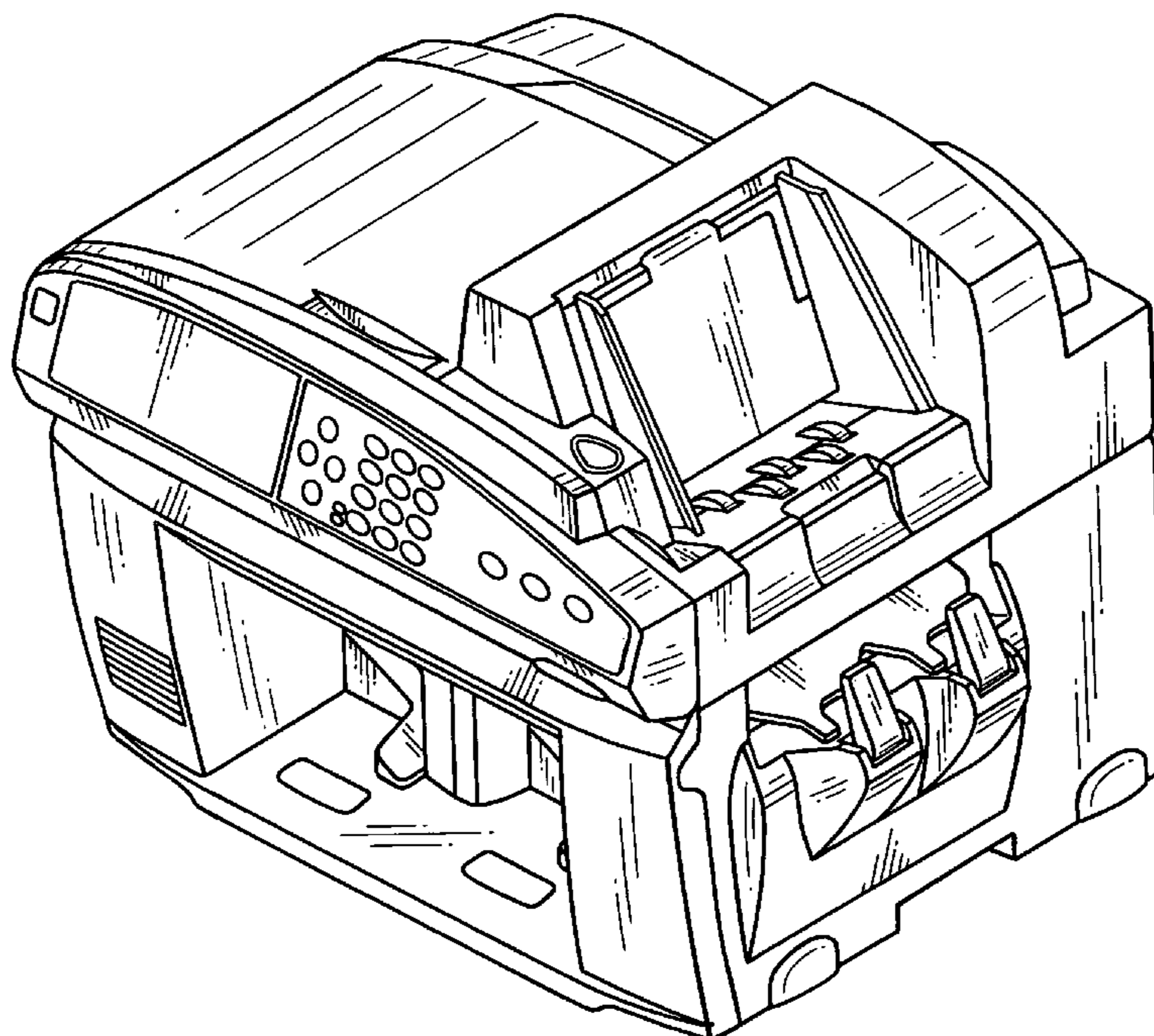


FIG. 1

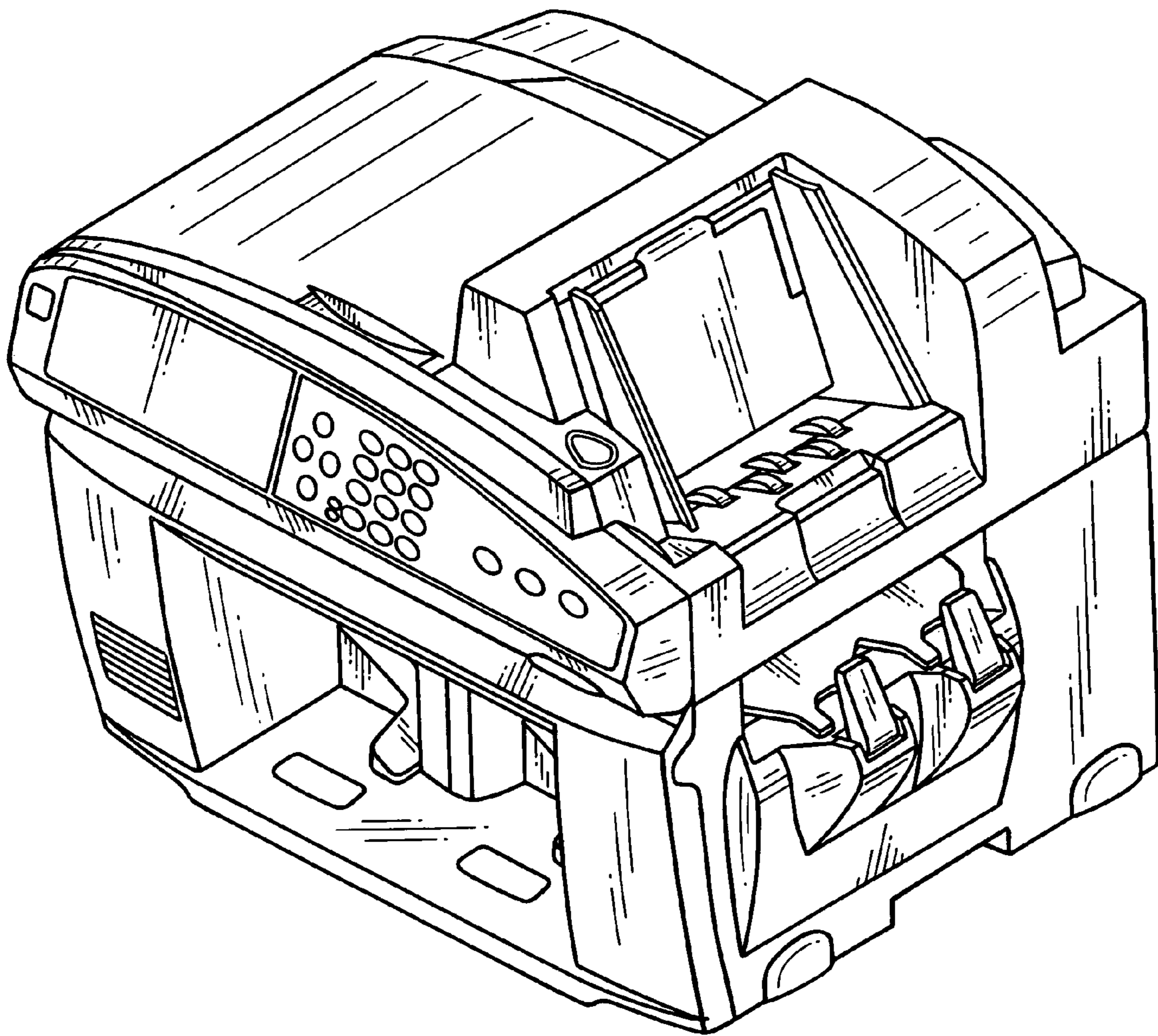


FIG. 2

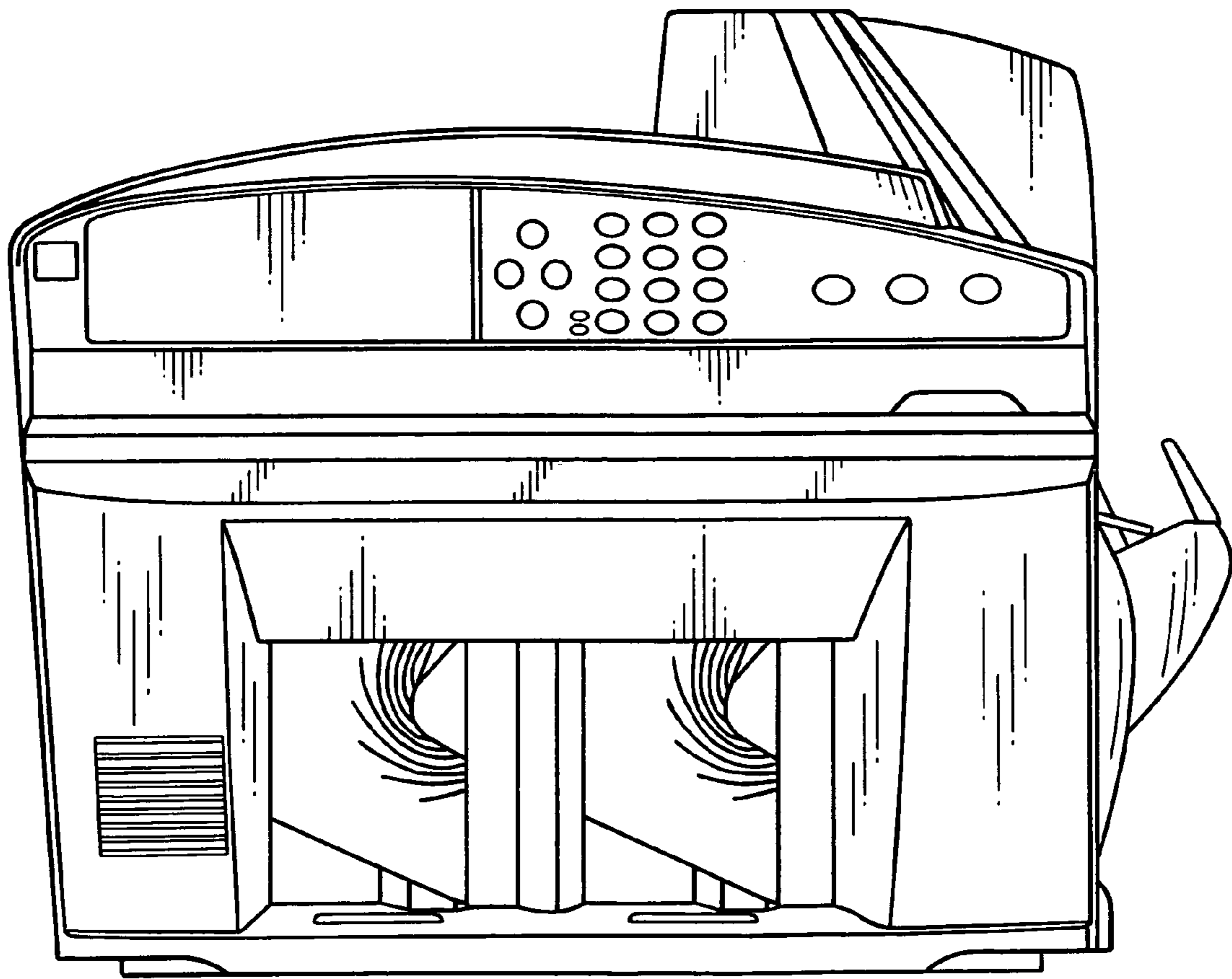


FIG. 3

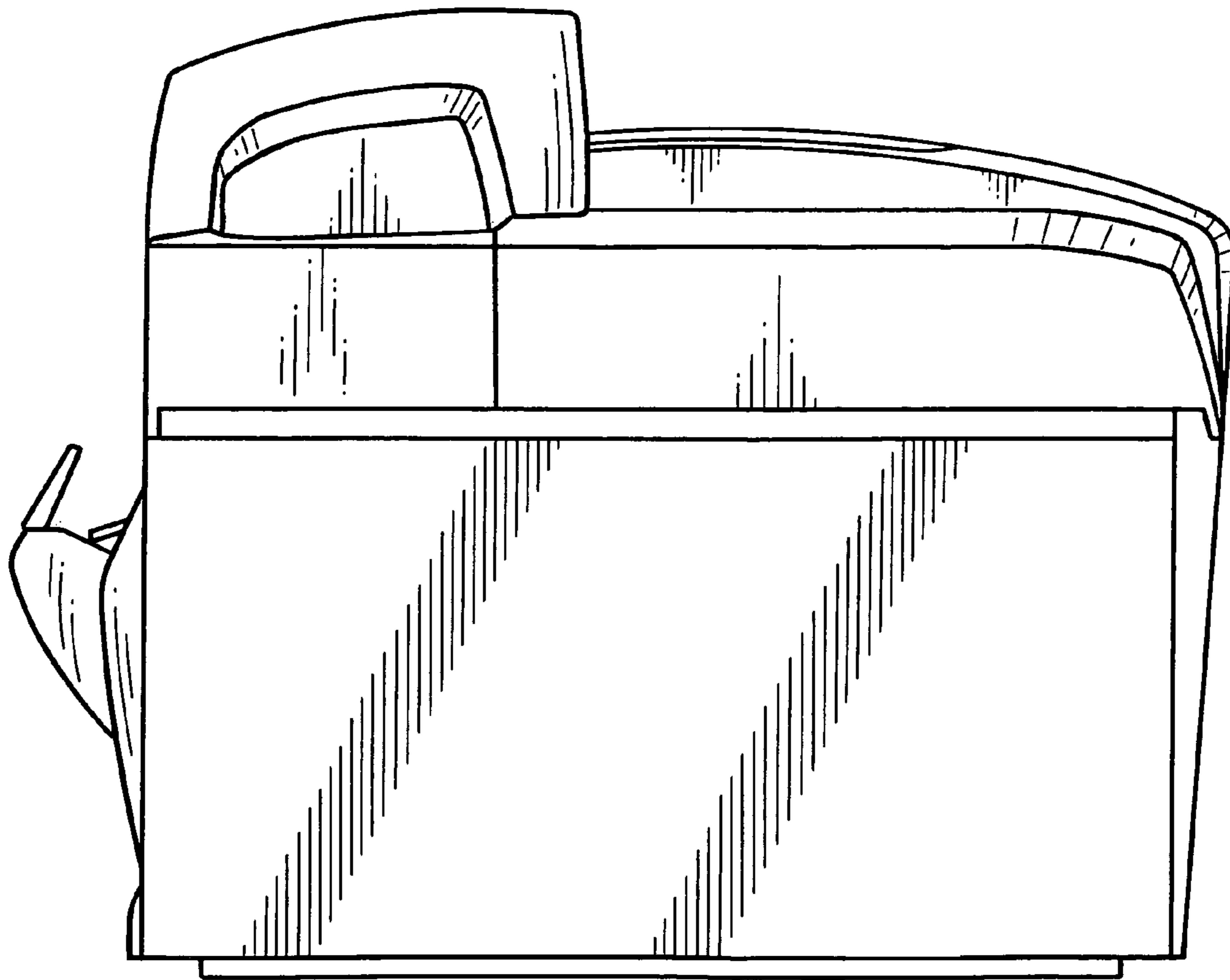


FIG. 4

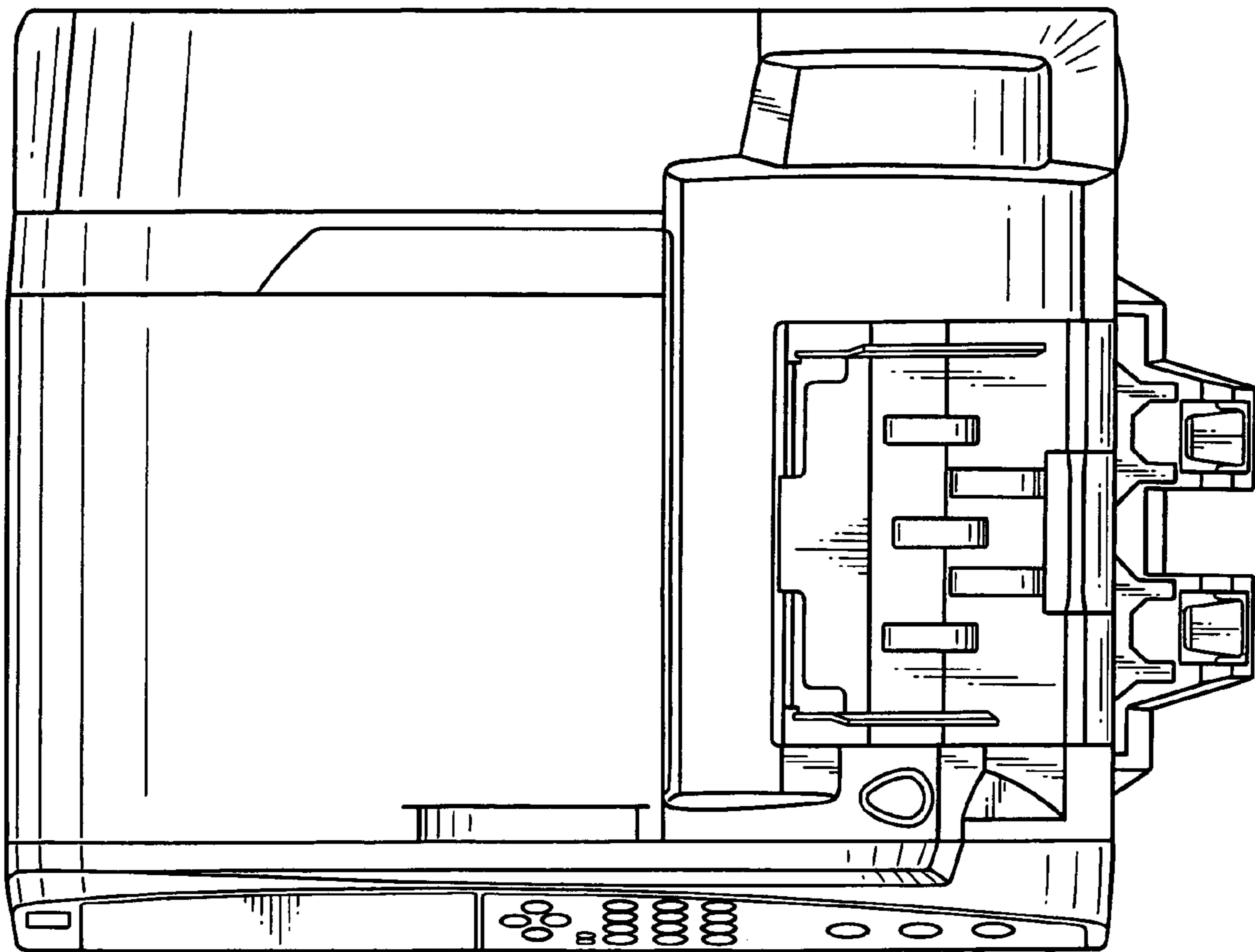


FIG. 5

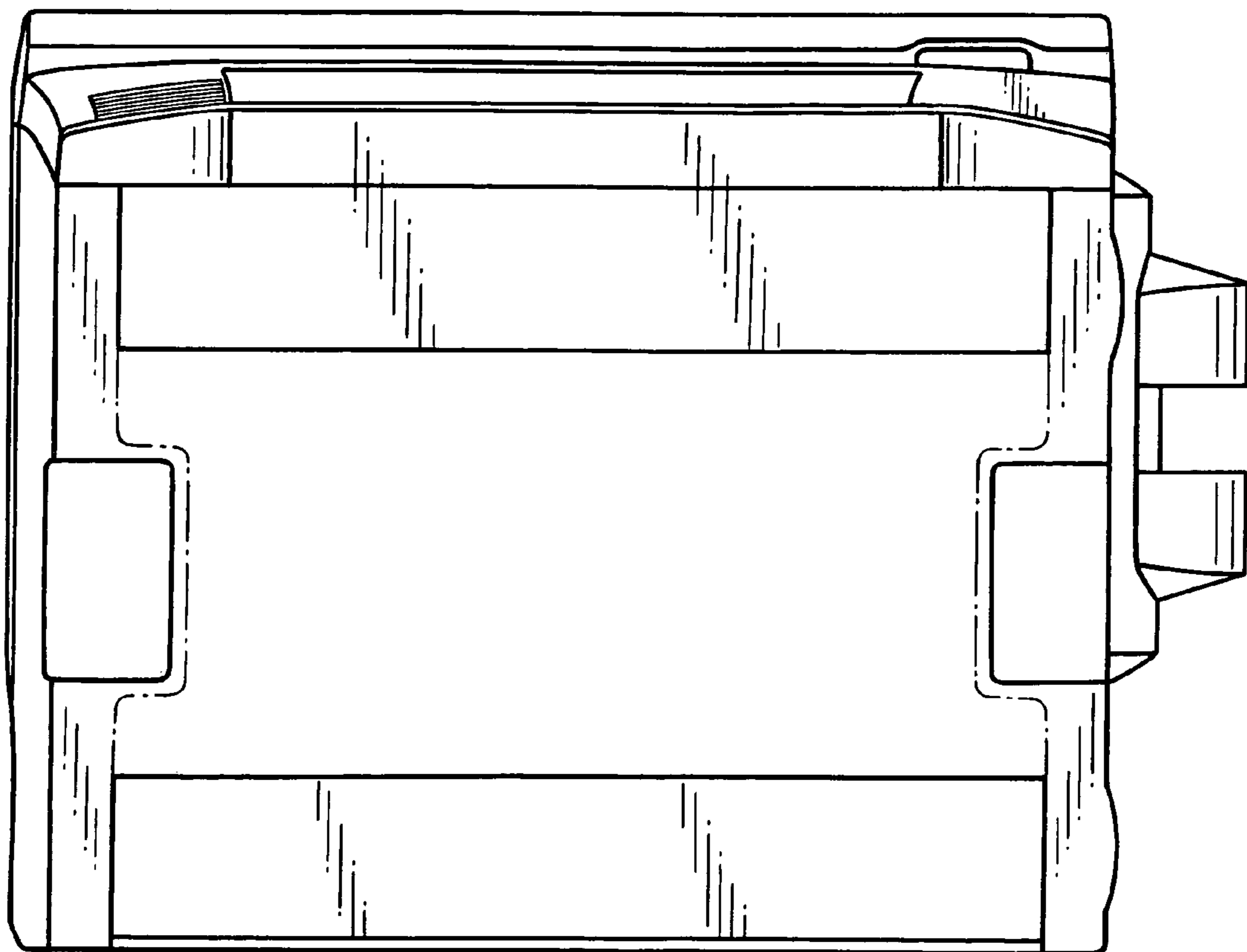


FIG. 6

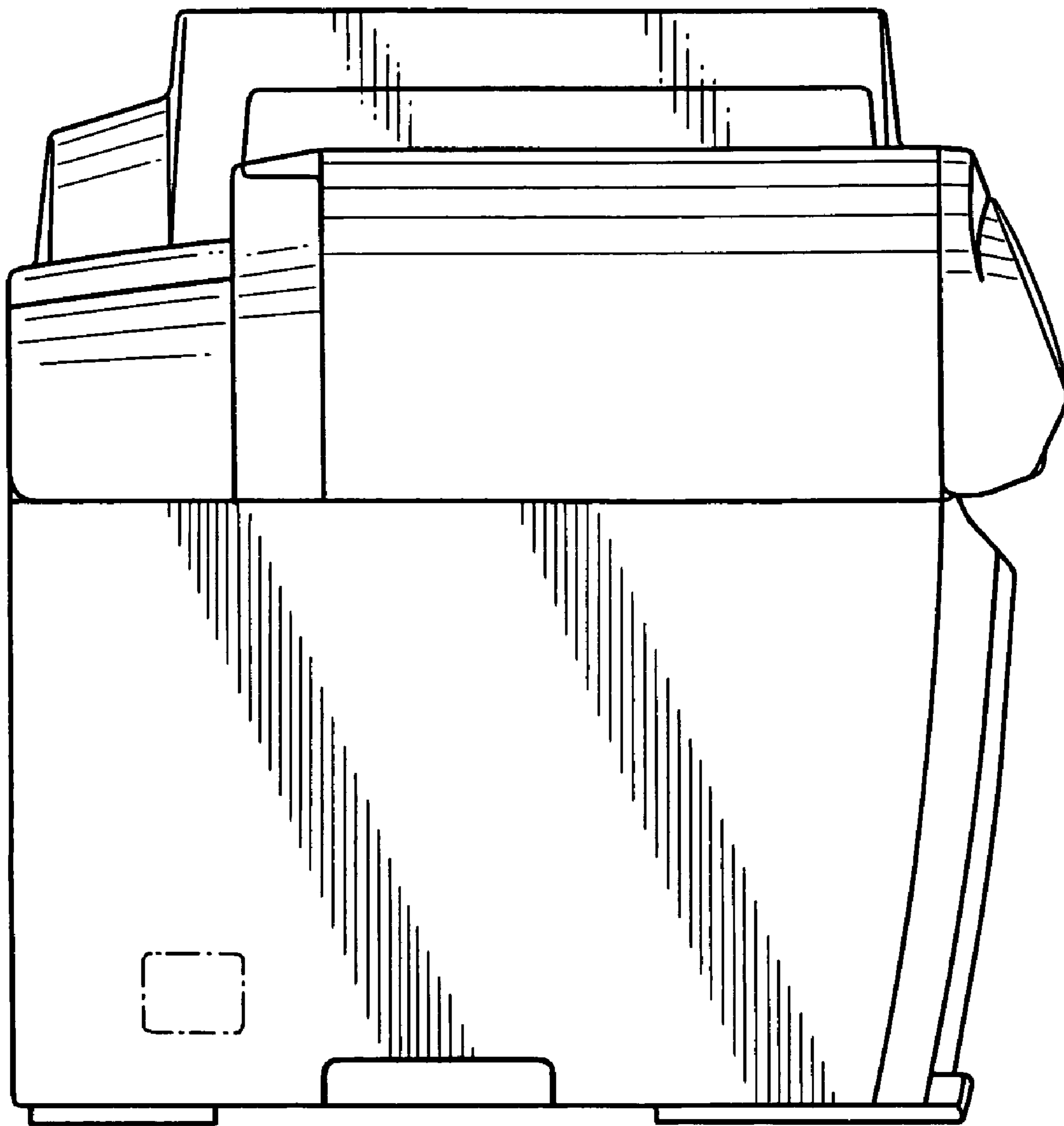


FIG. 7

