



US00D590868S

(12) **United States Design Patent**  
**Wilkerson**

(10) **Patent No.:** **US D590,868 S**  
(45) **Date of Patent:** **\*\* Apr. 21, 2009**

(54) **SUNGLASSES WITHOUT LENSES BUT HAVING SIX HORIZONTAL SLATS CROSSING THE FIELD OF VISION OF EACH EYE**

D572,292 S \* 7/2008 Jones ..... D16/306

\* cited by examiner

*Primary Examiner*—Raphael Barkai

(76) **Inventor:** **Donald Todd Wilkerson**, 21450 Chase St. #219, Canoga Park, CA (US) 91304

(57) **CLAIM**

The ornamental design for sunglasses without lenses but having six horizontal slats crossing the field of vision of each eye, as shown and described.

(\*\*) **Term:** **14 Years**

(21) **Appl. No.:** **29/302,980**

(22) **Filed:** **Jan. 29, 2008**

**DESCRIPTION**

(51) **LOC (9) Cl.** ..... **16-06**

FIG. 1 is a perspective view of sunglasses without lenses but having six horizontal slats crossing the field of vision of each eye, illustrated with one temple piece in a collapsed position and another temple piece in an extended position, showing my new design;

(52) **U.S. Cl.** ..... **D16/301**

FIG. 2 is a front elevational view of the invention, illustrated with both temple pieces in the extended position;

(58) **Field of Classification Search** ..... D16/101, D16/300–342; D29/109–110; D24/110.2; 351/41, 44, 51–52, 62, 158, 92, 103–123, 351/140, 153, 45–46; 2/426–432, 447–449, 2/441, 434–437, 13, 15; D21/483, 659–661

FIG. 3 is a rear elevational view of the invention, illustrated with both temple pieces in the extended position;

See application file for complete search history.

FIG. 4 is a left-side elevational view of the invention, illustrated with both temple pieces in the extended position, the right-side elevational view being a mirror image thereof;

(56) **References Cited**

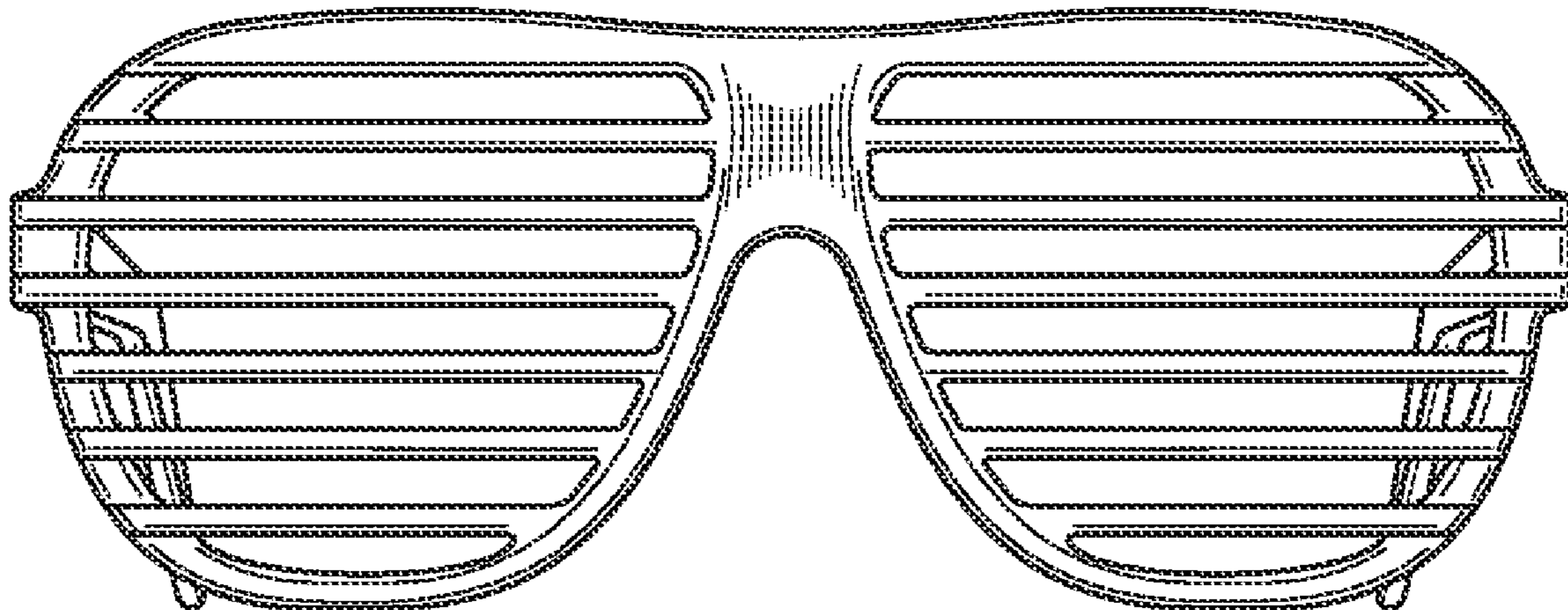
**U.S. PATENT DOCUMENTS**

- D175,469 S \* 8/1955 Ives ..... D16/301
- D196,532 S \* 10/1963 Facci ..... D16/301
- D295,533 S \* 5/1988 Wichers ..... D16/319
- 4,869,584 A \* 9/1989 Dion ..... 351/45
- D305,132 S \* 12/1989 Ruimi ..... D19/65

FIG. 5 is a top plan view of the invention, illustrated with both temple pieces in the extended position; and,

FIG. 6 is a bottom plan view of the invention, illustrated with both temple pieces in the extended position.

**1 Claim, 2 Drawing Sheets**



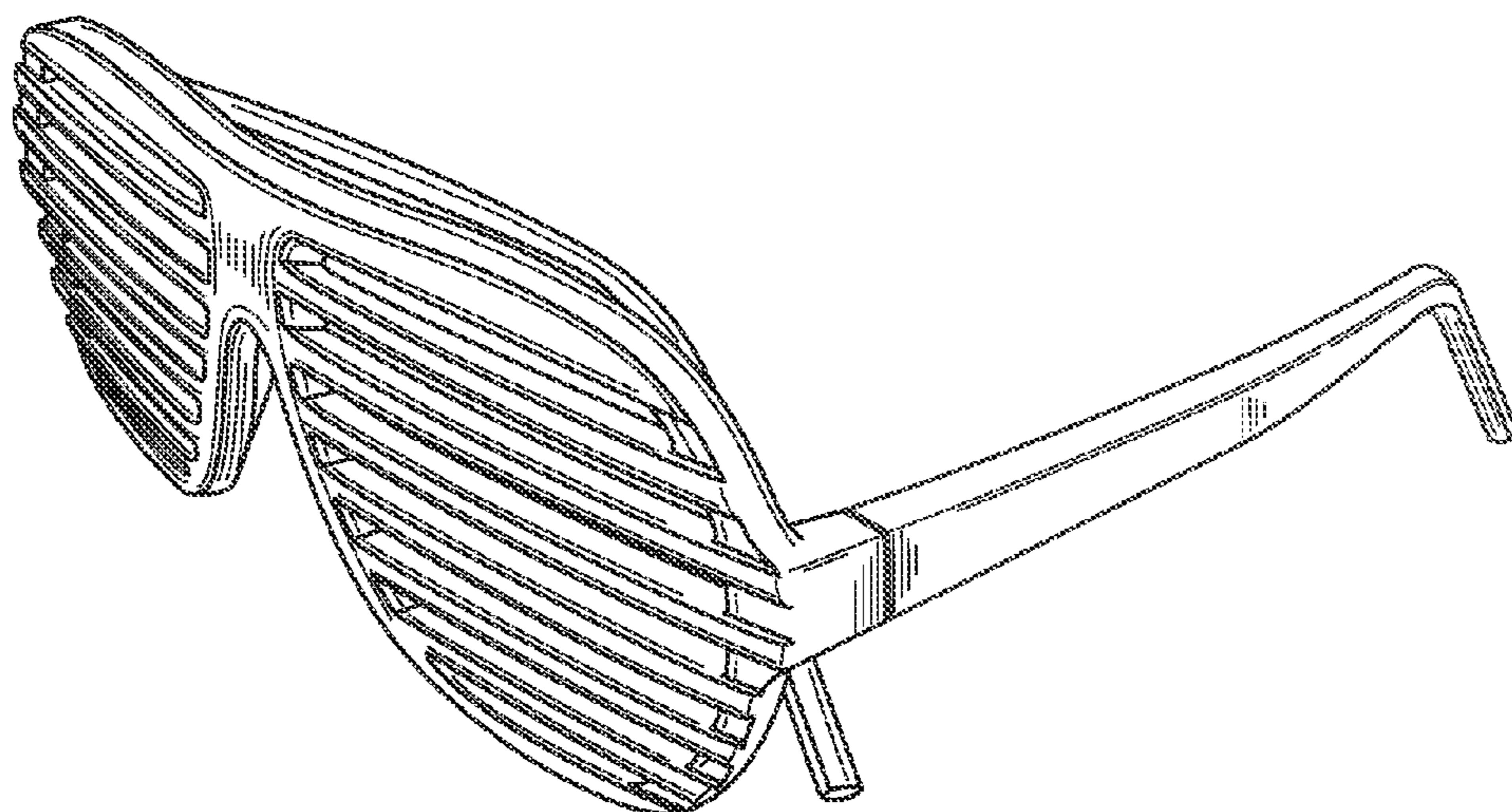


FIG. 1

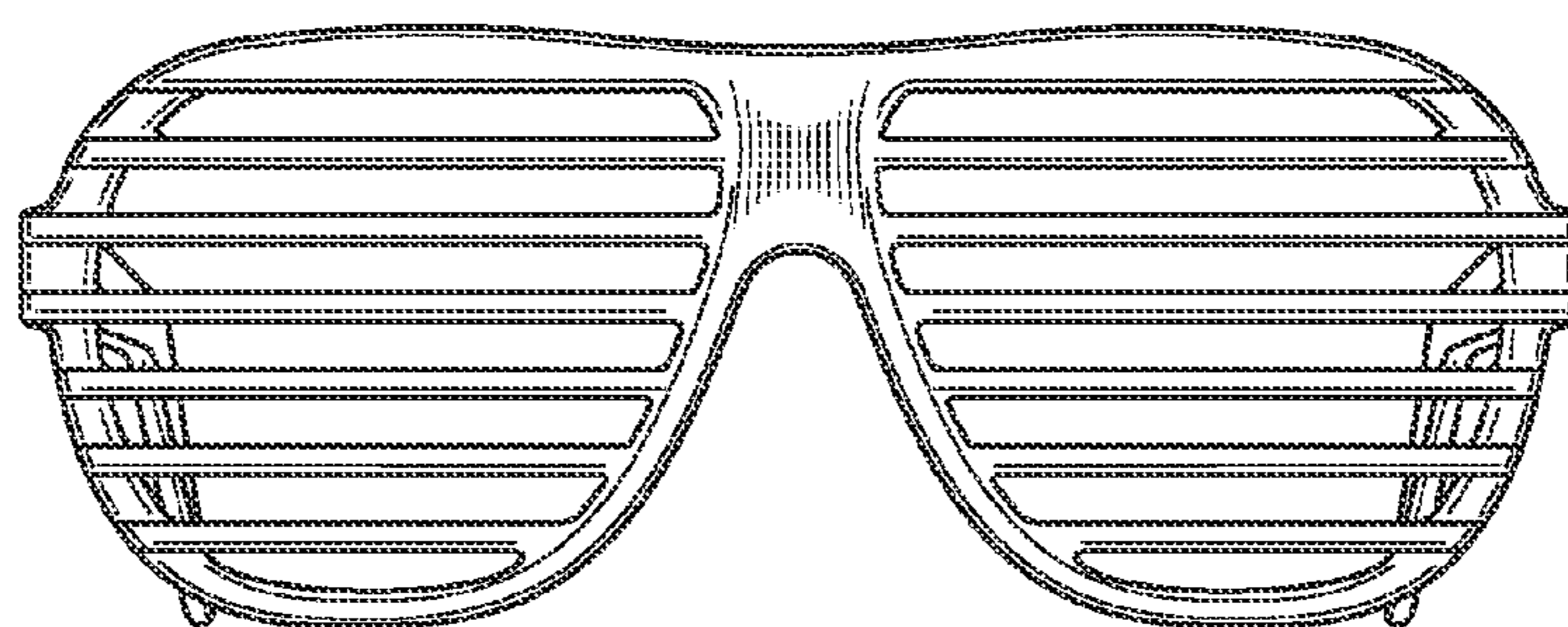


FIG. 2

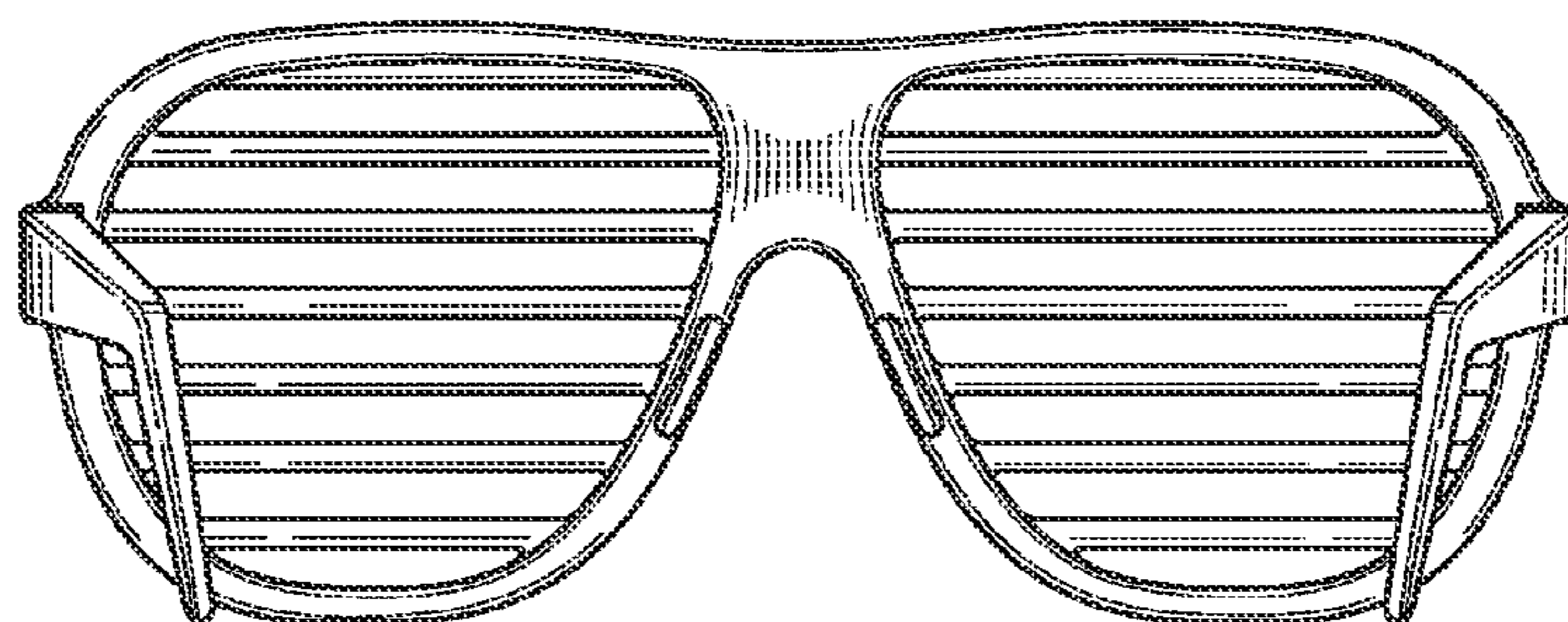


FIG. 3

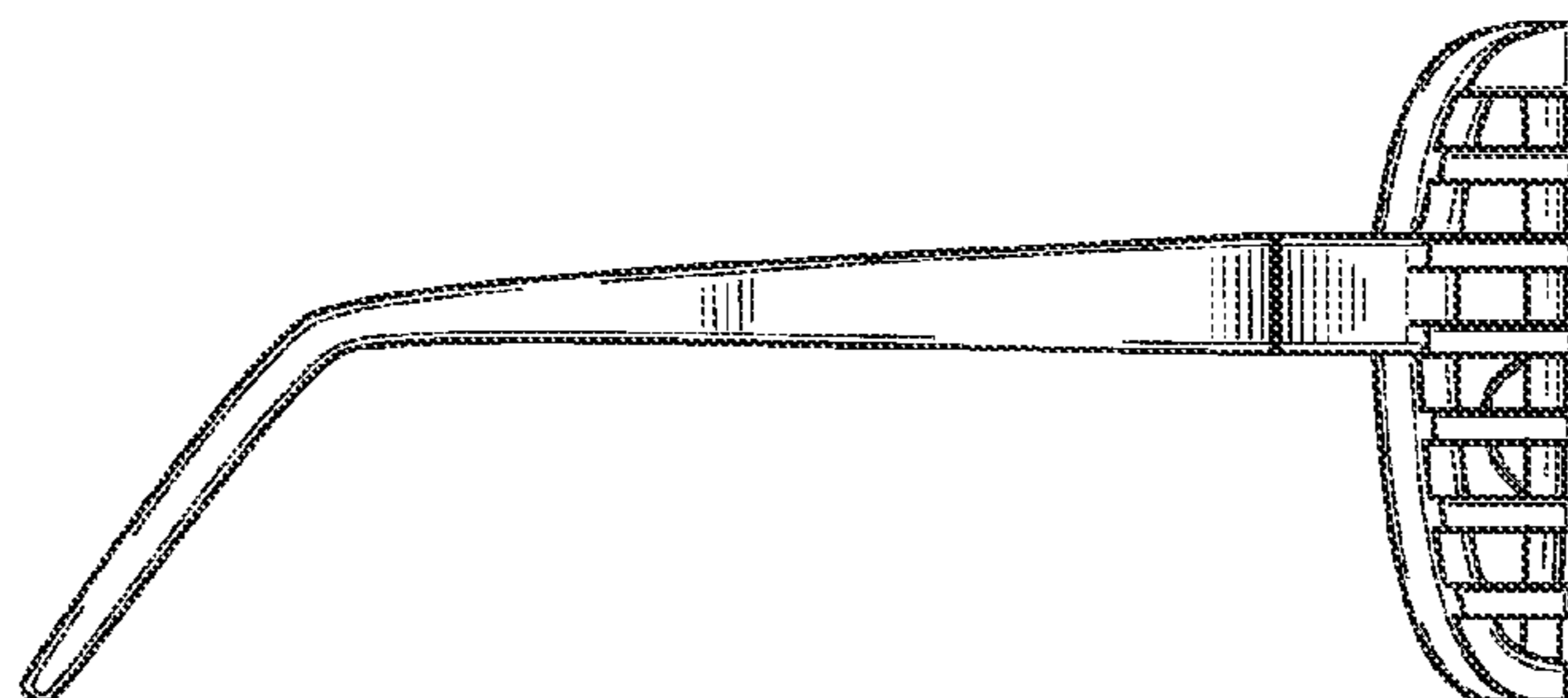


FIG. 4

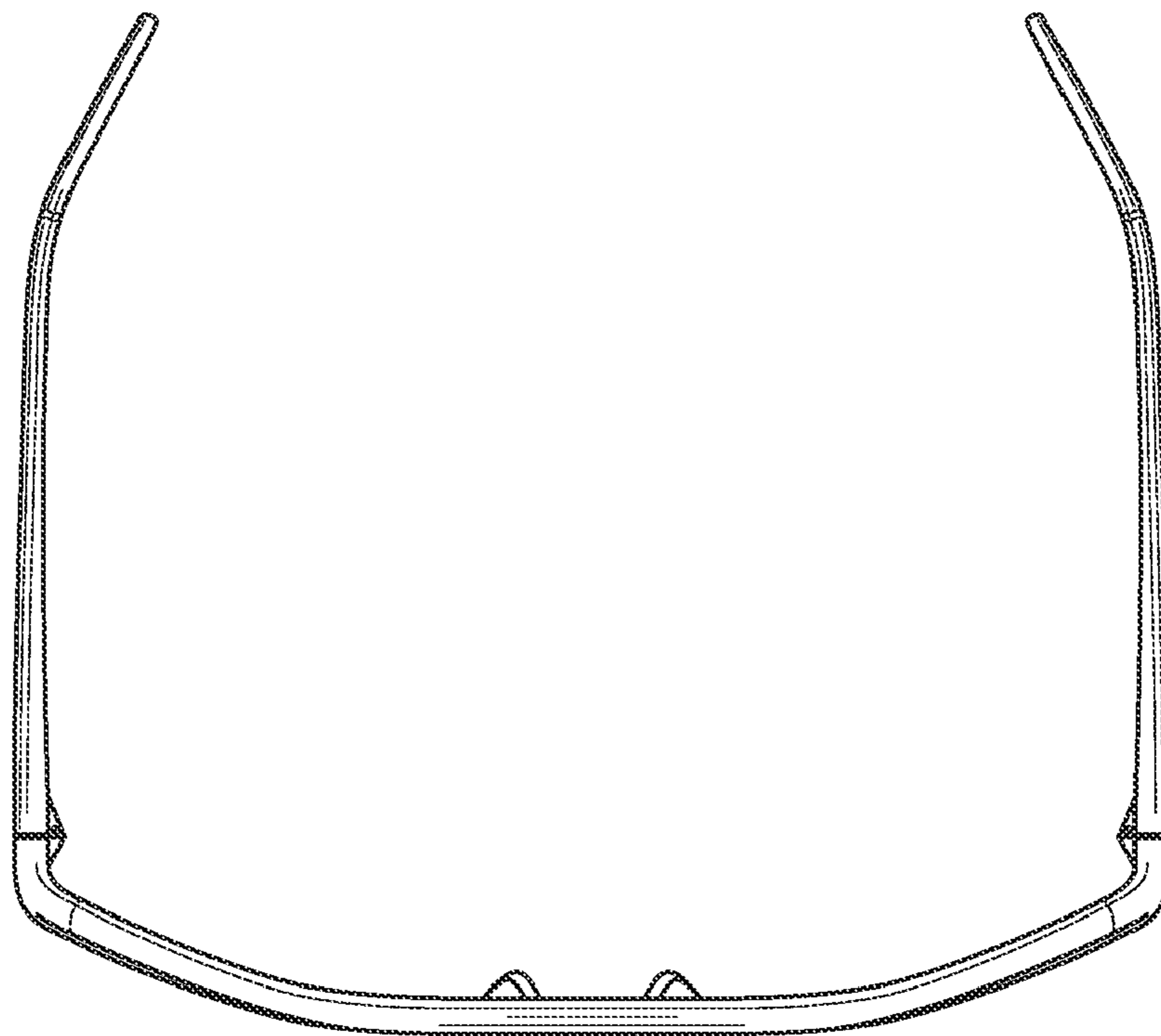


FIG. 5

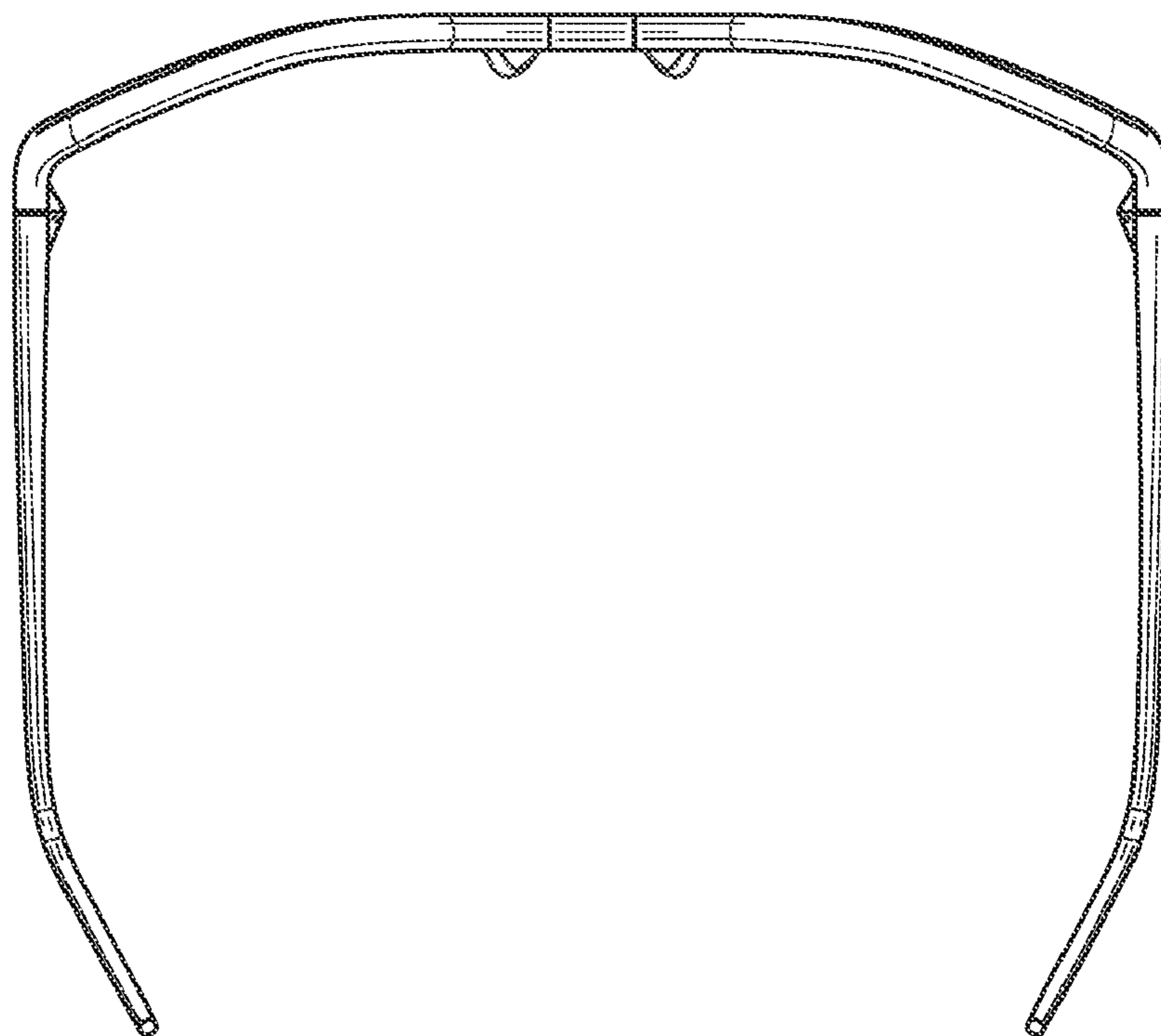


FIG. 6