

US00D590867S

(12) **United States Design Patent**
Schenone et al.

(10) **Patent No.:** **US D590,867 S**

(45) **Date of Patent:** **** Apr. 21, 2009**

(54) **CAMERA GRIP**

D546,865 S * 7/2007 Rietveld et al. D16/242
D580,474 S * 11/2008 Lee et al. D16/242

(76) Inventors: **Bert Schenone**, 1404 Picardy Dr.,
Stockton, CA (US) 95203; **Anthony**
Bova, 1404 Picardy Dr., Stockton, CA
(US) 95203

* cited by examiner

Primary Examiner—Adir Aronovich
(74) *Attorney, Agent, or Firm*—Russell S. Krajec; Krajec
Patent Offices, LLC

(**) Term: **14 Years**

(21) Appl. No.: **29/303,765**

(57) **CLAIM**

(22) Filed: **Feb. 15, 2008**

The ornamental design for a camera grip, as shown and
described.

(51) **LOC (9) Cl.** **16-05**

(52) **U.S. Cl.** **D16/242; D16/206**

(58) **Field of Classification Search** D16/206,
D16/219, 237, 242, 243, 244, 245; 224/908;
248/176.1, 187.1; 348/373, 375, 376; 396/419,
396/420, 428

See application file for complete search history.

DESCRIPTION

FIG. 1 is an isometric view of a camera grip showing our new
design.

FIG. 2 is top view thereof.

FIG. 3 is a front view thereof.

FIG. 4 is a left side view thereof.

FIG. 5 is a right side view thereof.

FIG. 6 is a rear view thereof; and,

FIG. 7 is a bottom view thereof.

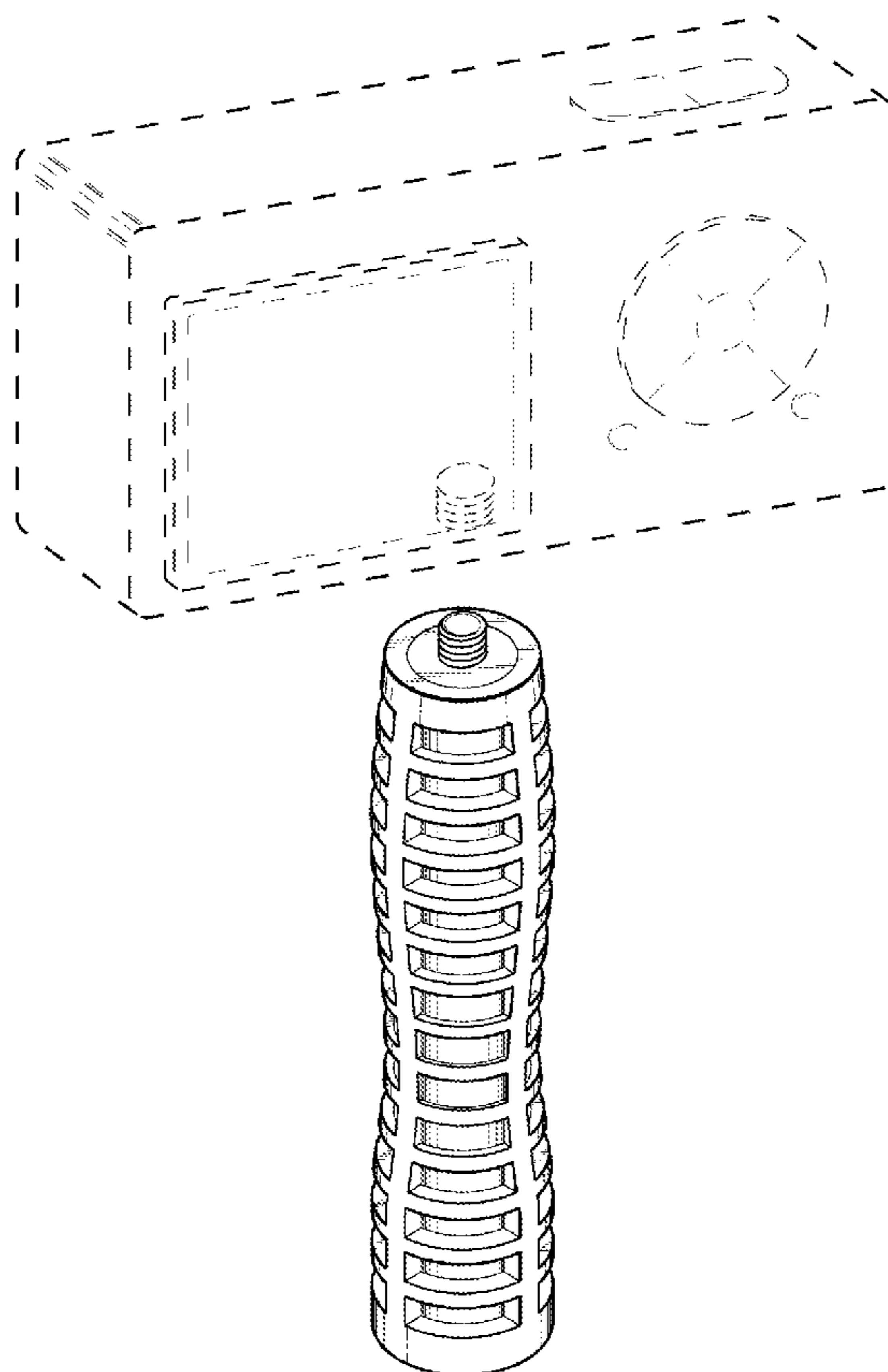
The broken line showing of a camera in FIG. 1 is included for
the purpose of illustrating environment only and forms no
part of the claimed design.

(56) **References Cited**

U.S. PATENT DOCUMENTS

- 3,810,647 A * 5/1974 Martchenke 248/187.1
- D234,629 S * 3/1975 Olds D16/242
- 4,864,335 A * 9/1989 Corrales 396/420
- 5,021,813 A * 6/1991 Corrales 396/420
- D411,220 S * 6/1999 Surabian D16/242
- 6,293,449 B1 * 9/2001 McGuire et al. 224/420
- 6,752,369 B1 * 6/2004 Cameron 396/419

1 Claim, 4 Drawing Sheets



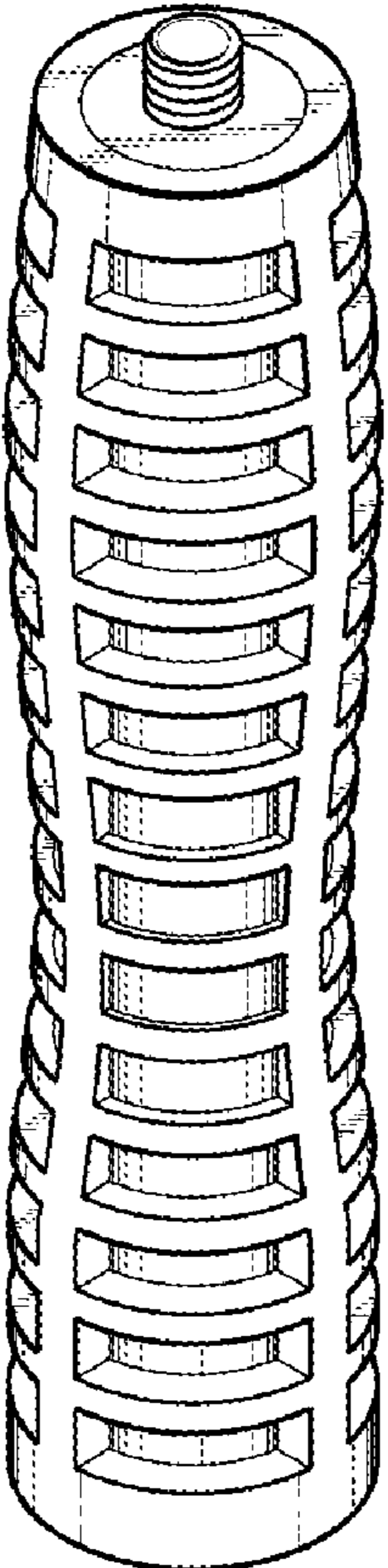
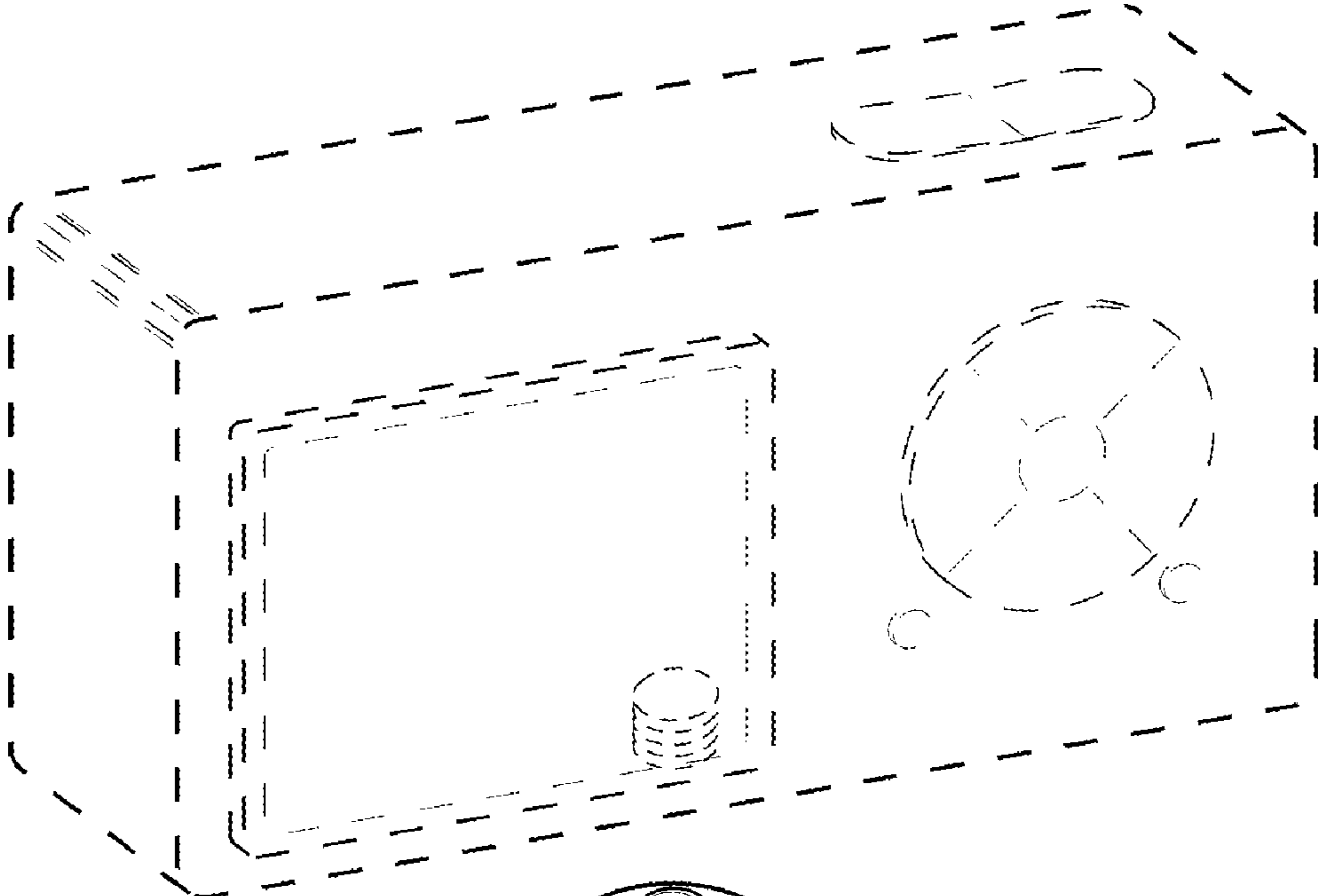


FIG. 1

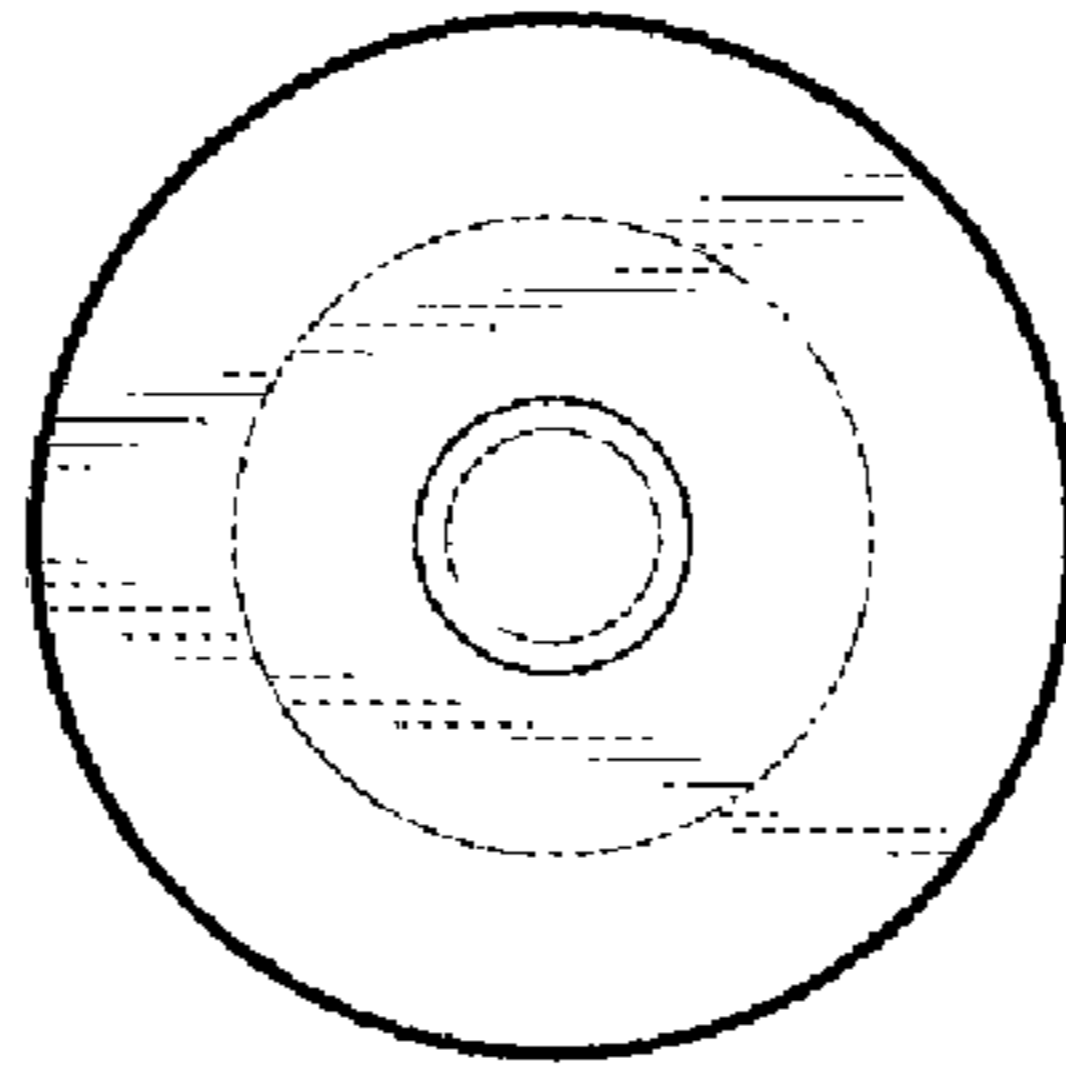


FIG. 2

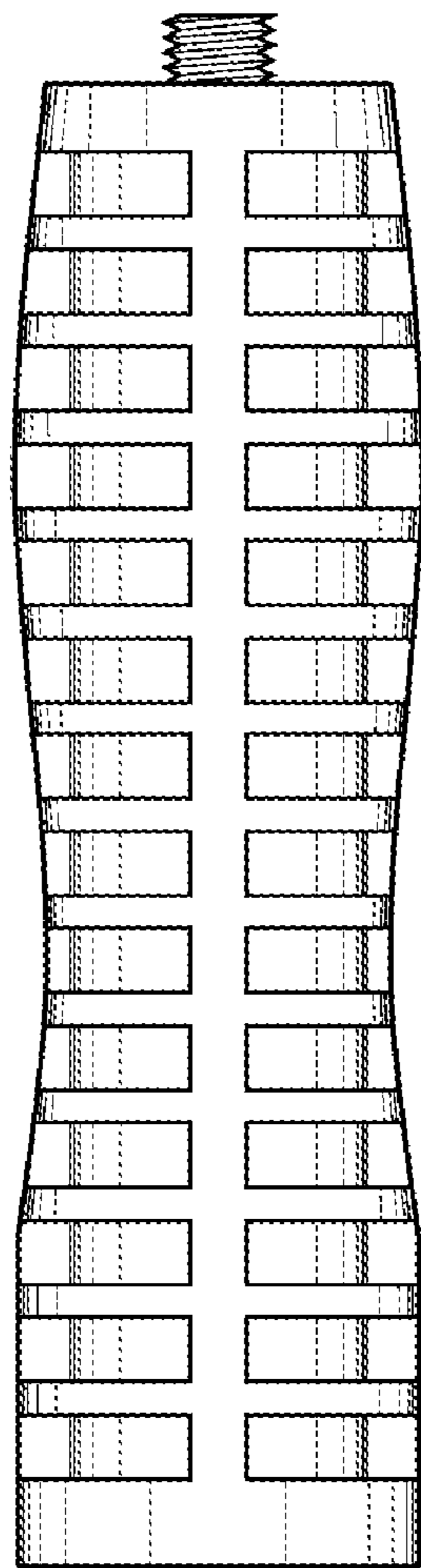


FIG. 3

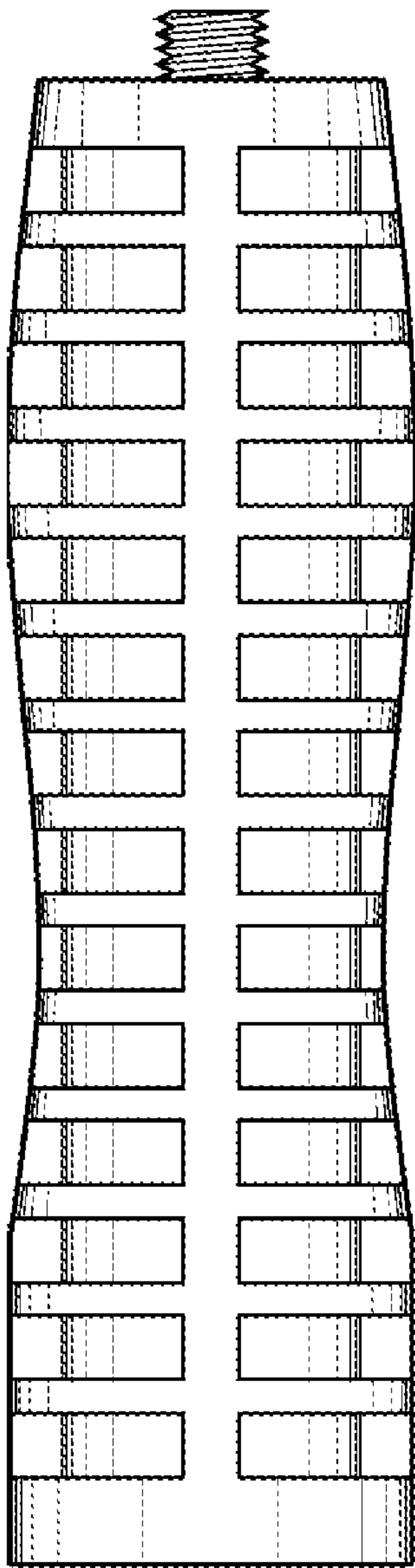


FIG. 4

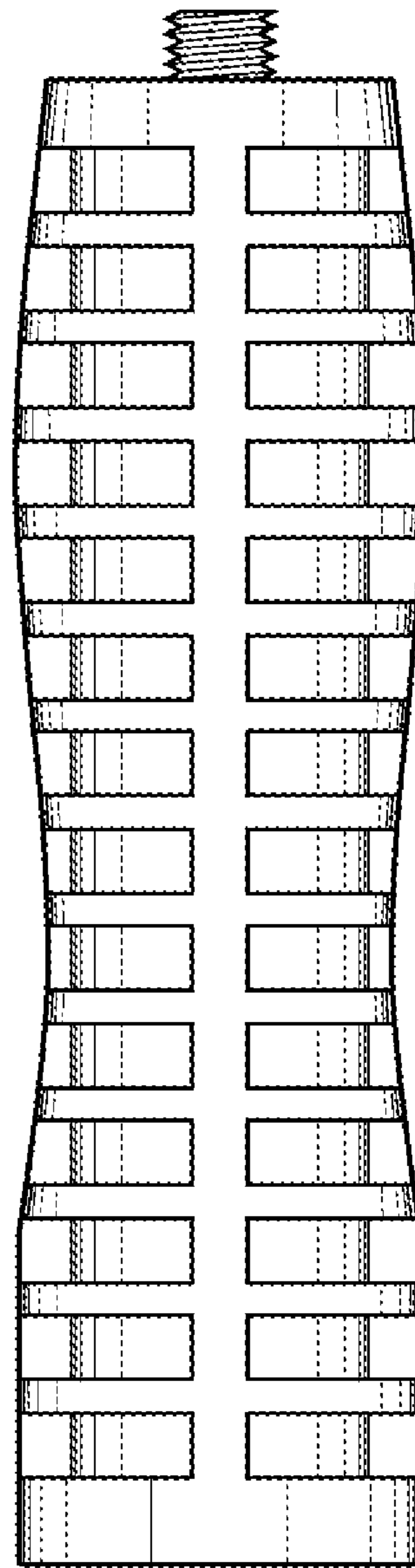


FIG. 5

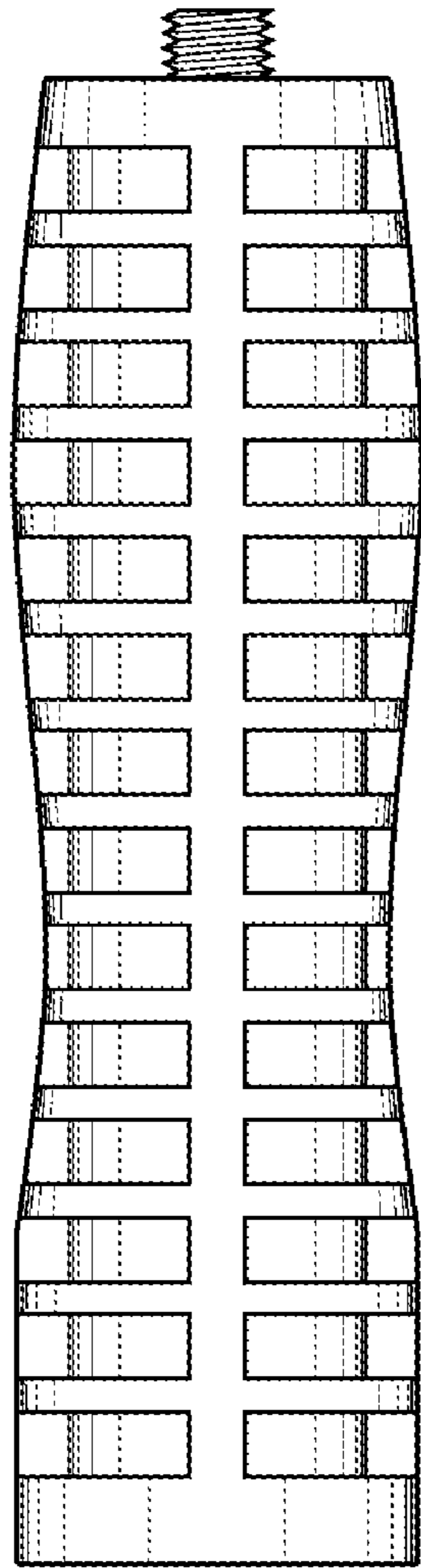


FIG. 6

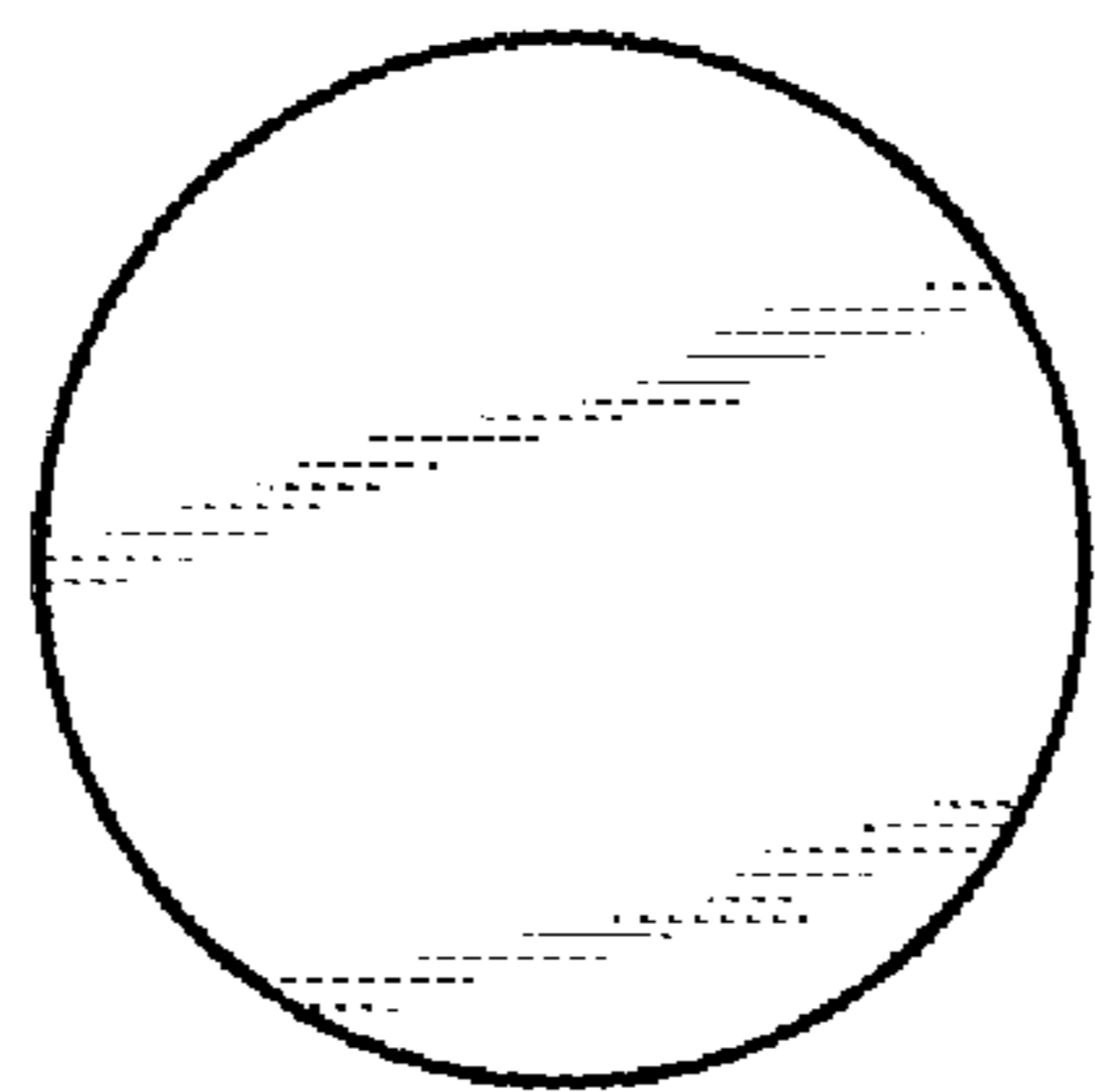


FIG. 7