



US00D590865S

(12) **United States Design Patent**
Nishimura et al.

(10) **Patent No.:** **US D590,865 S**
(45) **Date of Patent:** **** Apr. 21, 2009**

(54) **VIDEO PROJECTOR**

(75) Inventors: **Hiroaki Nishimura**, Osaka (JP);
Sadayoshi Azuma, Osaka (JP)

(73) Assignee: **Panasonic Corporation**, Osaka (JP)

(**) Term: **14 Years**

(21) Appl. No.: **29/307,991**

(22) Filed: **May 21, 2008**

(30) **Foreign Application Priority Data**

Dec. 17, 2007 (JP) 2007-034582

(51) **LOC (9) Cl.** **16-02**

(52) **U.S. Cl.** **D16/230**

(58) **Field of Classification Search** D16/200,
D16/205, 221, 225, 230-231, 234; D21/514;
353/115, 119, 122

See application file for complete search history.

(56) **References Cited**

U.S. PATENT DOCUMENTS

D467,604 S	*	12/2002	Niitsu	D16/230
D480,410 S		10/2003	Morishita et al.		
D491,973 S		6/2004	Morishita et al.		
D492,338 S	*	6/2004	Ooshima	D16/230
D498,781 S		11/2004	Azuma et al.		
D506,771 S	*	6/2005	Ooshima et al.	D16/230
D527,408 S		8/2006	Azuma		
D536,359 S	*	2/2007	Salvatori et al.	D16/230
D542,828 S		5/2007	Tsukahara		
D545,340 S	*	6/2007	Azuma	D16/230
D545,865 S	*	7/2007	Azuma et al.	D16/230
D553,172 S	*	10/2007	Azuma	D16/230
D555,697 S	*	11/2007	Kawabe et al.	D16/230
D565,629 S	*	4/2008	Morishita	D16/230

FOREIGN PATENT DOCUMENTS

JP D1145604 7/2002

JP	D1173345	5/2003
JP	D1186723	10/2003
JP	D1186724	10/2003
JP	D1186725	10/2003
JP	D1202246	4/2004
JP	D1202253	4/2004
JP	D1221302	10/2004
JP	D1255769	11/2005
JP	D1272806	6/2006
JP	D1289390	12/2006

OTHER PUBLICATIONS

Hitachi, Ltd., "Hitachi New Projector Catalog", Catalog, Mar. 2007, 2 pages.

Matsushita Electric Industrial Co., Ltd., "Panasonic SD Projector & Wireless Projector Catalog", Catalog, Sep. 2007, 12 pages.

* cited by examiner

Primary Examiner—Ian Simmons

Assistant Examiner—Wan Laymon

(74) *Attorney, Agent, or Firm*—Brinks Hofer Gilson & Lione

(57) **CLAIM**

We claim the ornamental design for a video projector, as shown and described.

DESCRIPTION

FIG. 1 is a top perspective view of a video projector of the present invention;

FIG. 2 is a front view thereof;

FIG. 3 is a rear view thereof;

FIG. 4 is a first side view thereof;

FIG. 5 is a second side view thereof;

FIG. 6 is a top view thereof; and,

FIG. 7 is a bottom view thereof.

1 Claim, 7 Drawing Sheets

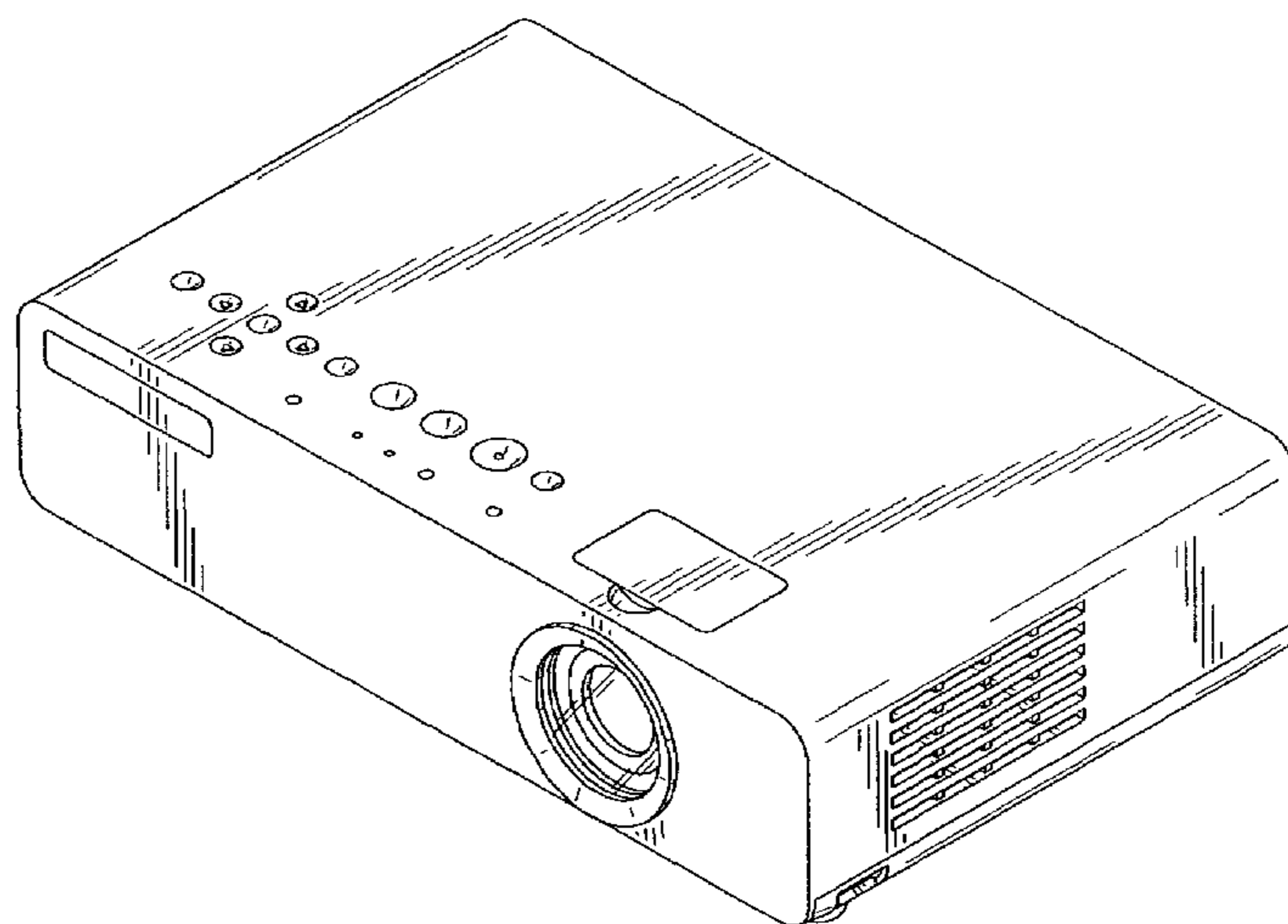


FIG.1

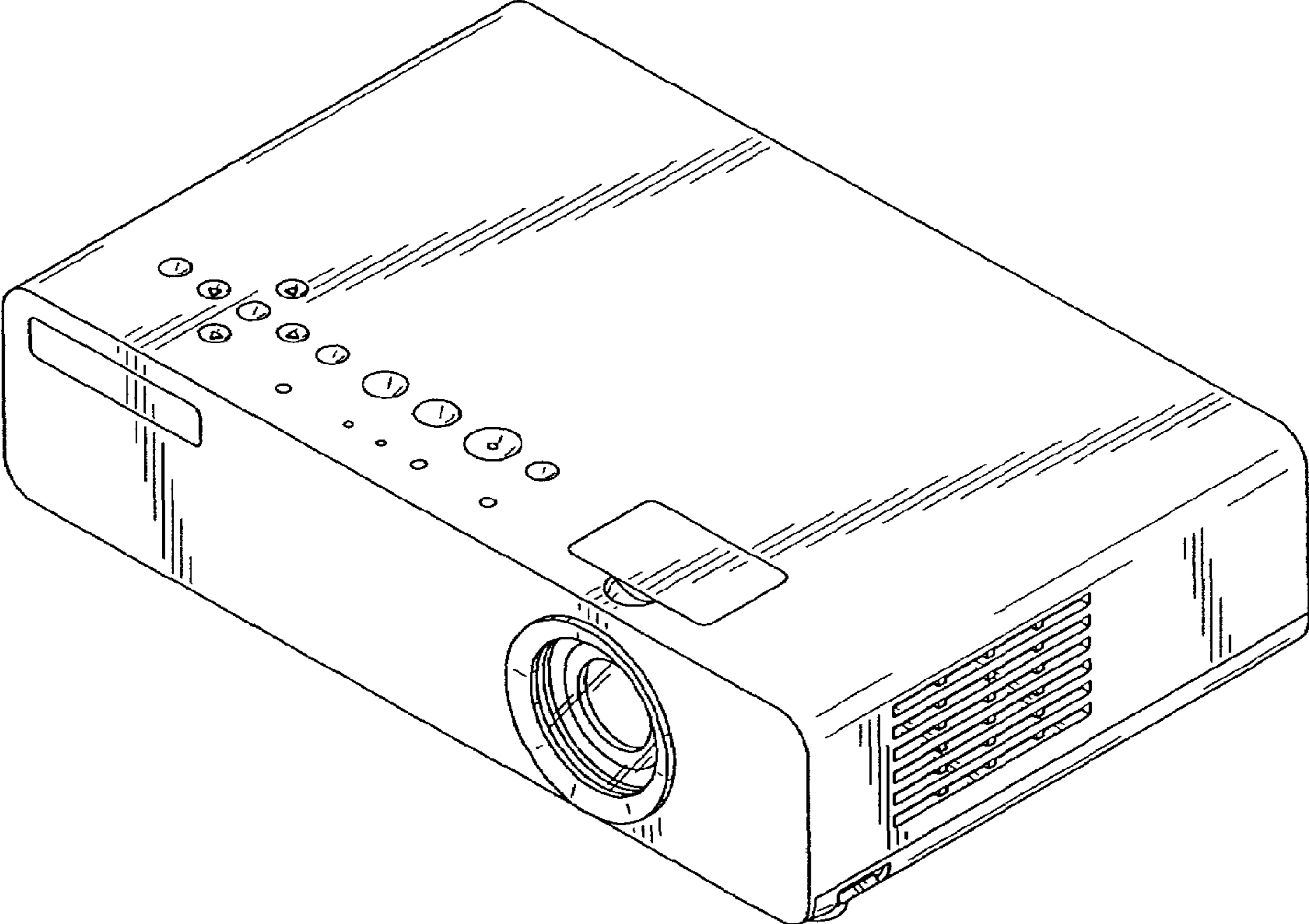


FIG.2

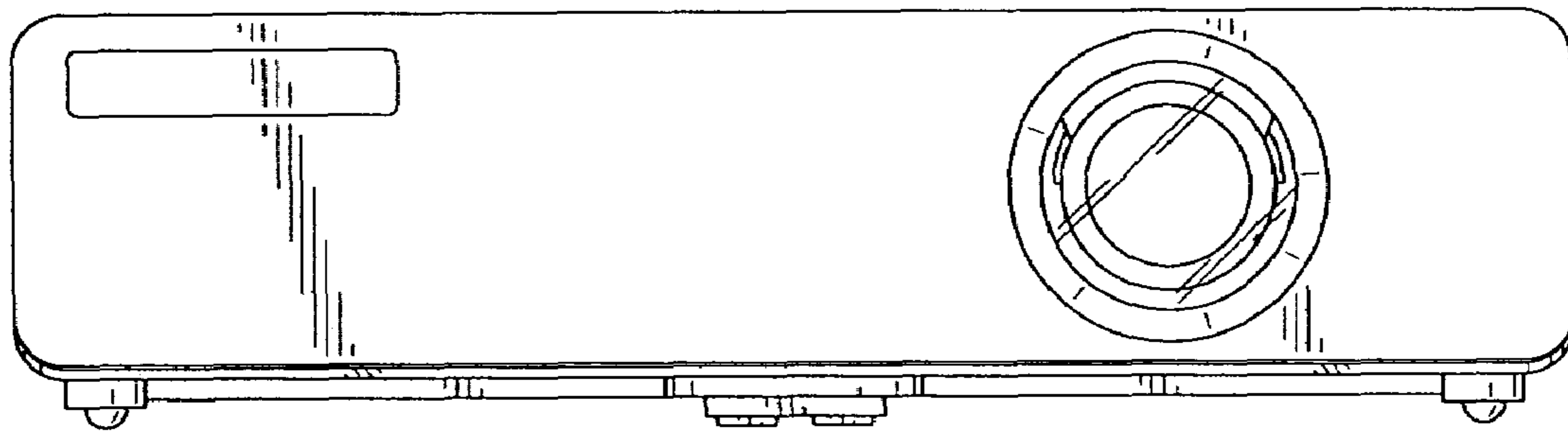


FIG.3

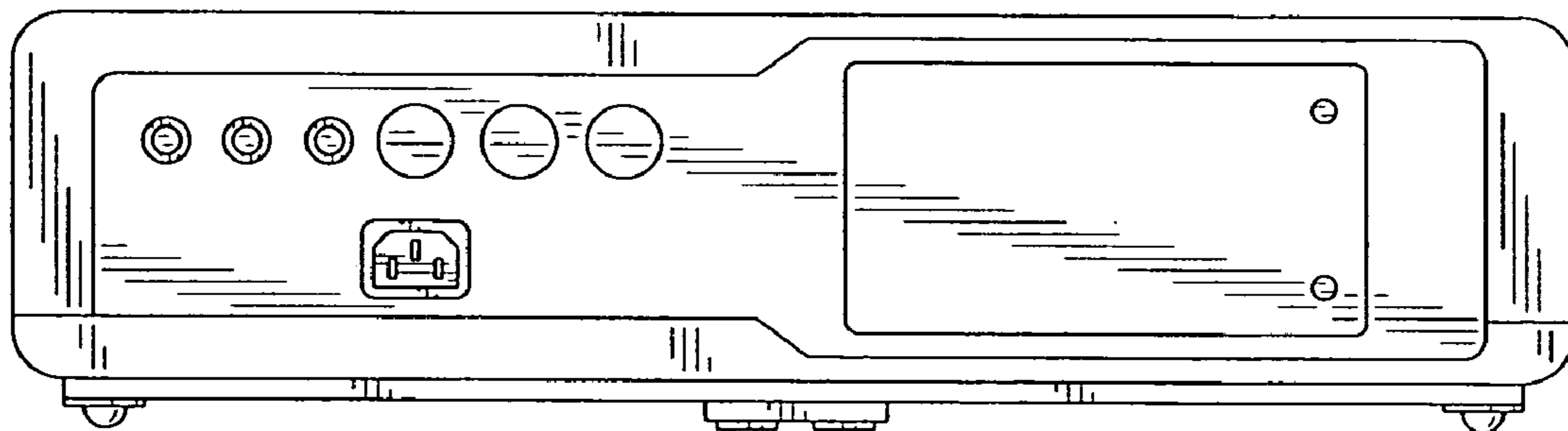


FIG.4

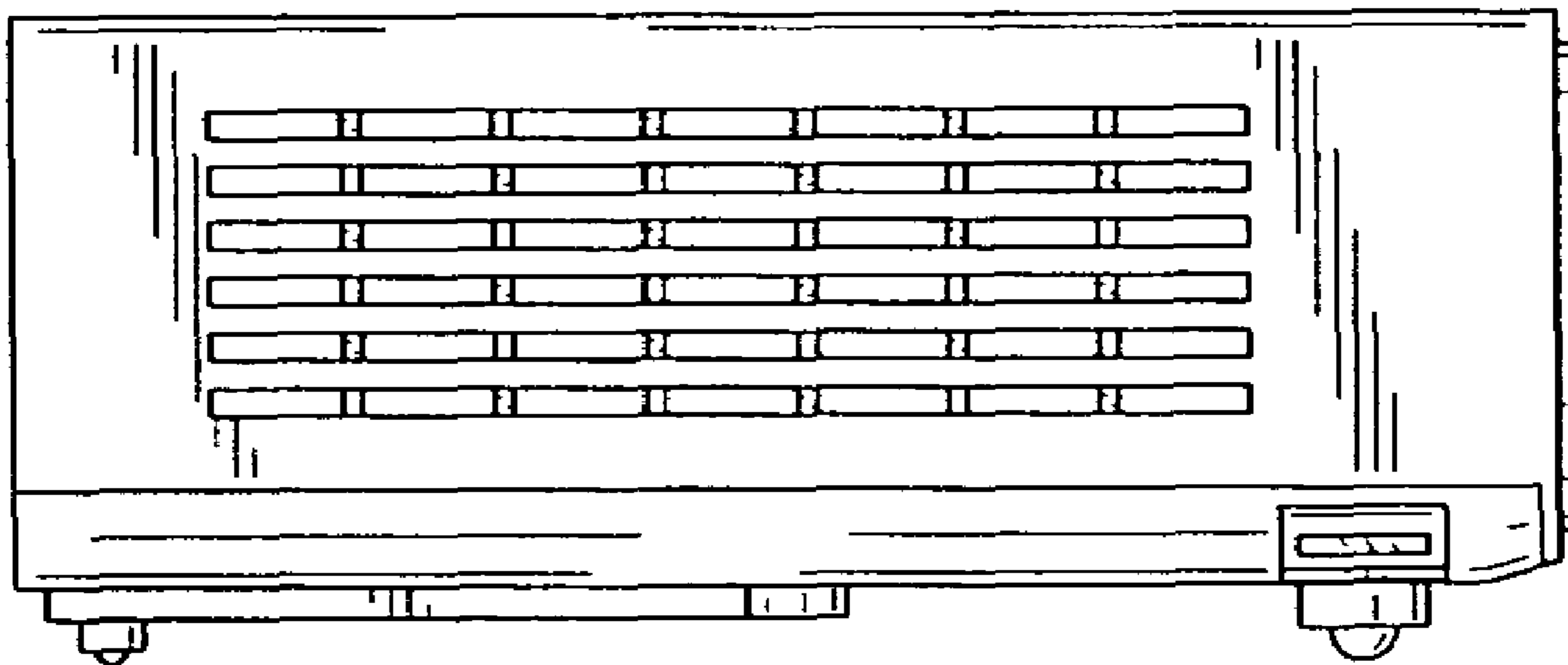


FIG. 5

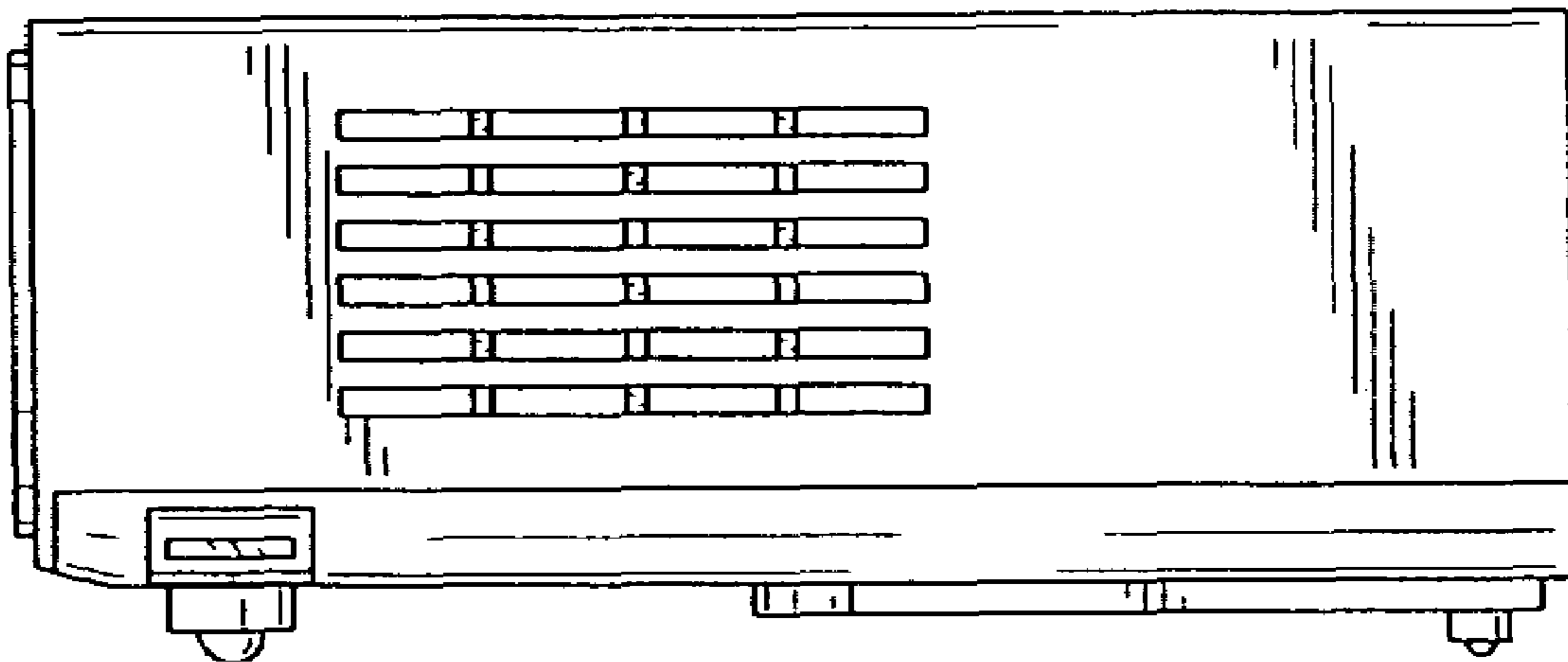


FIG.6

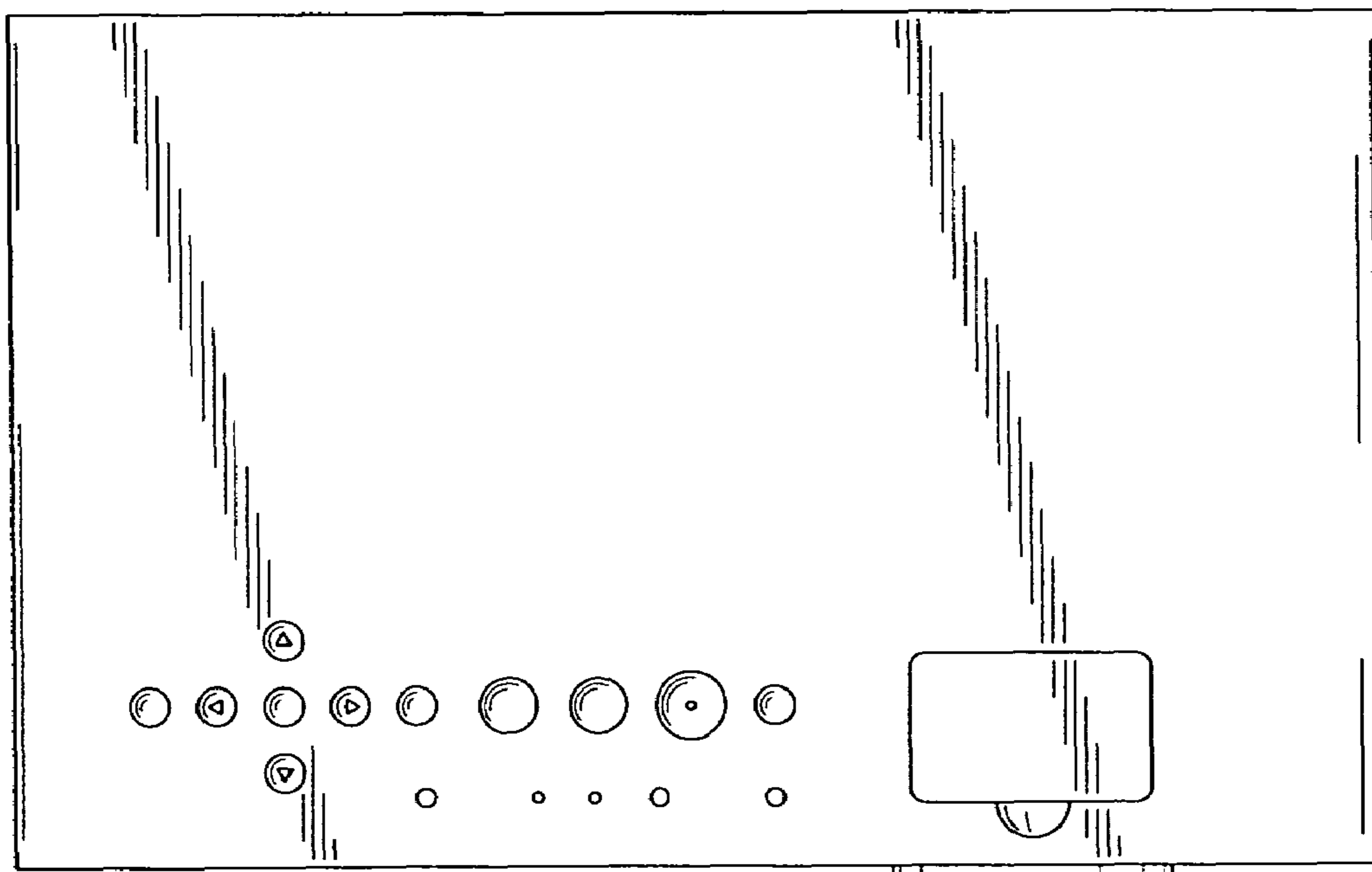


FIG.7

