



US00D590864S

(12) **United States Design Patent**  
**Young et al.**

(10) **Patent No.:** **US D590,864 S**  
(45) **Date of Patent:** **\*\* Apr. 21, 2009**

(54) **PROJECTOR**

7,246,908 B2 \* 7/2007 Salvatori et al. .... 353/119

(75) Inventors: **Garrett Young**, 1713 S. Second St.,  
Oskaloosa, IA (US) 52577; **Timothy**  
**Patrick Linahon**, Newton, IA (US); **Ted**  
**Hansen**, Pella, IA (US)

\* cited by examiner

*Primary Examiner*—Adir Aronovich  
(74) *Attorney, Agent, or Firm*—Schwegman, Lundberg &  
Woessner, P.A.

(73) Assignee: **Garrett Young**, Sully, IA (US)

(57) **CLAIM**

(\*\*) Term: **14 Years**

The ornamental design for a projector, as shown and  
described.

(21) Appl. No.: **29/303,933**

(22) Filed: **Feb. 20, 2008**

**DESCRIPTION**

(51) **LOC (9) Cl.** ..... **16-02**

FIG. 1 is a top, front and right side perspective view of a  
projector showing our new design;

(52) **U.S. Cl.** ..... **D16/221**

FIG. 2 is a front elevational view thereof;

(58) **Field of Classification Search** ..... D16/205,  
D16/208, 221, 222, 225, 230, 231; D21/514;  
353/115, 119, 122

FIG. 3 is a rear elevational view thereof;

FIG. 4 is a left side elevational view thereof;

See application file for complete search history.

FIG. 5 is a right side elevational view thereof;

FIG. 6 is a top plan view thereof;

FIG. 7 is a bottom plan view thereof, and,

FIG. 8 is a top, front and left side perspective view.

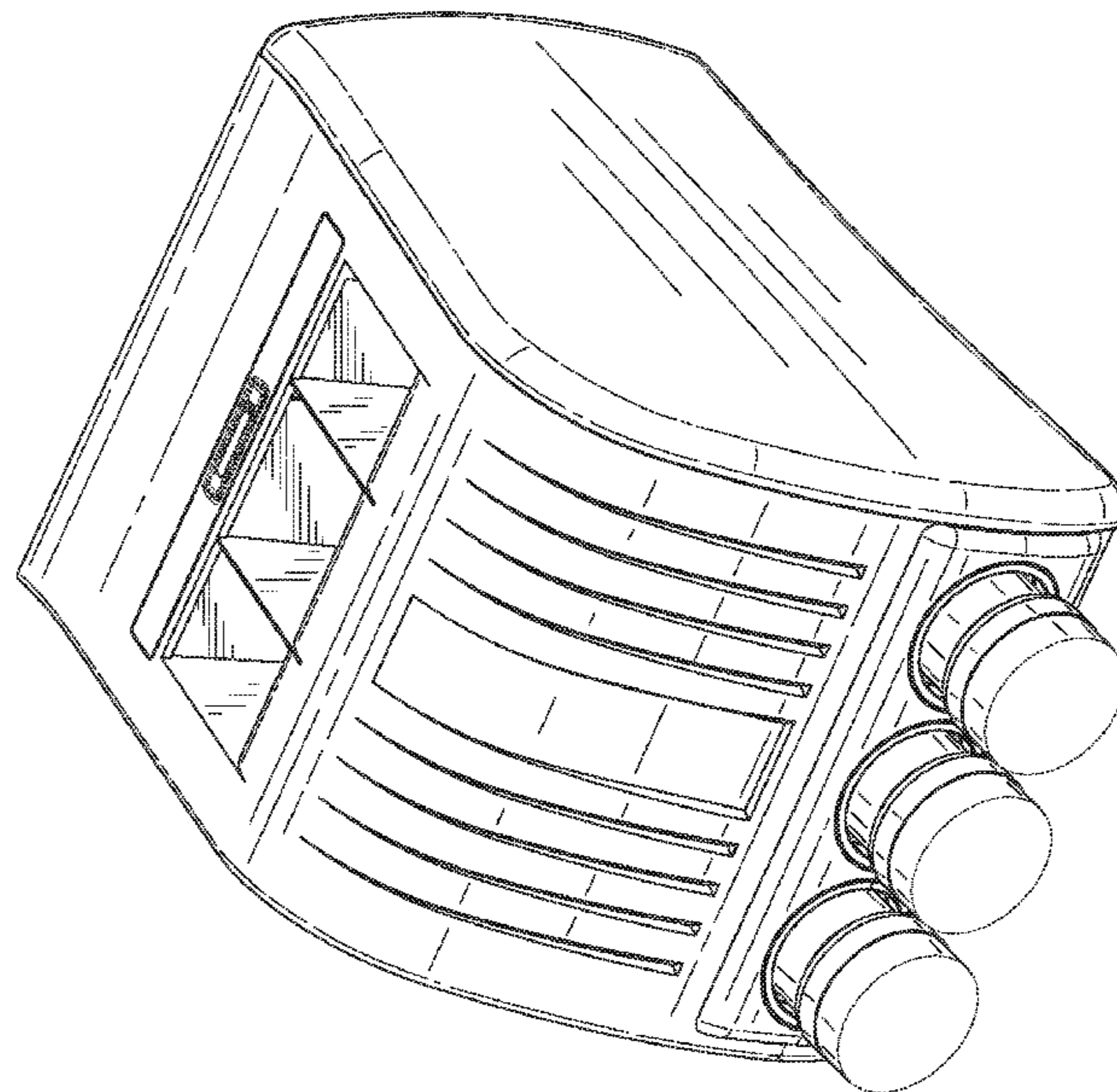
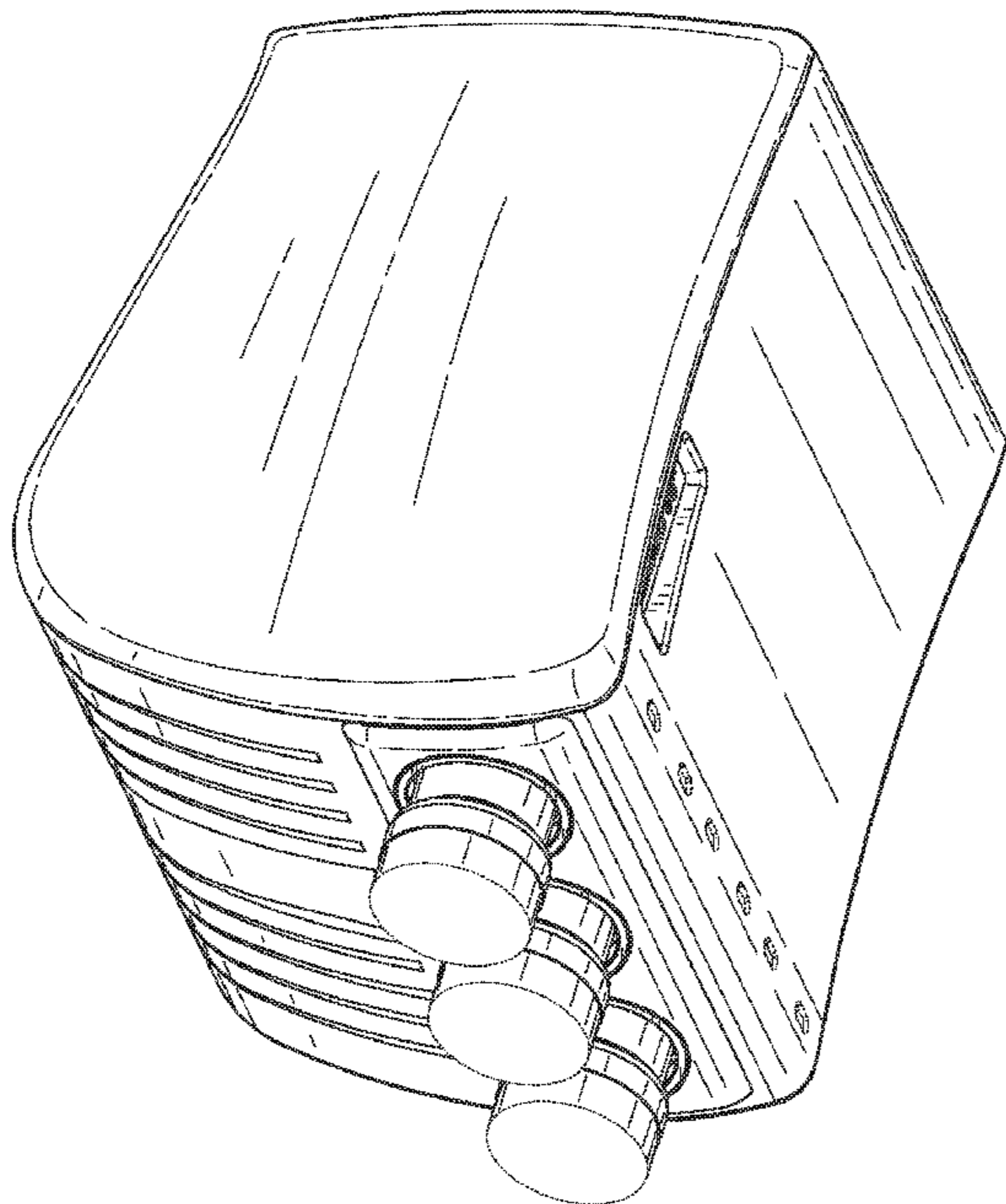
The broken line showing is for illustrative purposes only and  
forms no part of the claimed design.

(56) **References Cited**

**U.S. PATENT DOCUMENTS**

D163,504 S	*	5/1951	Wottring	.....	D16/222
2,916,964 A	*	12/1959	Paulsohn	.....	353/115
D320,030 S	*	9/1991	Allen	.....	D16/221
D390,247 S	*	2/1998	Shoji et al.	.....	D16/230
D514,611 S	*	2/2006	Schoenert et al.	.....	D16/221

**1 Claim, 8 Drawing Sheets**



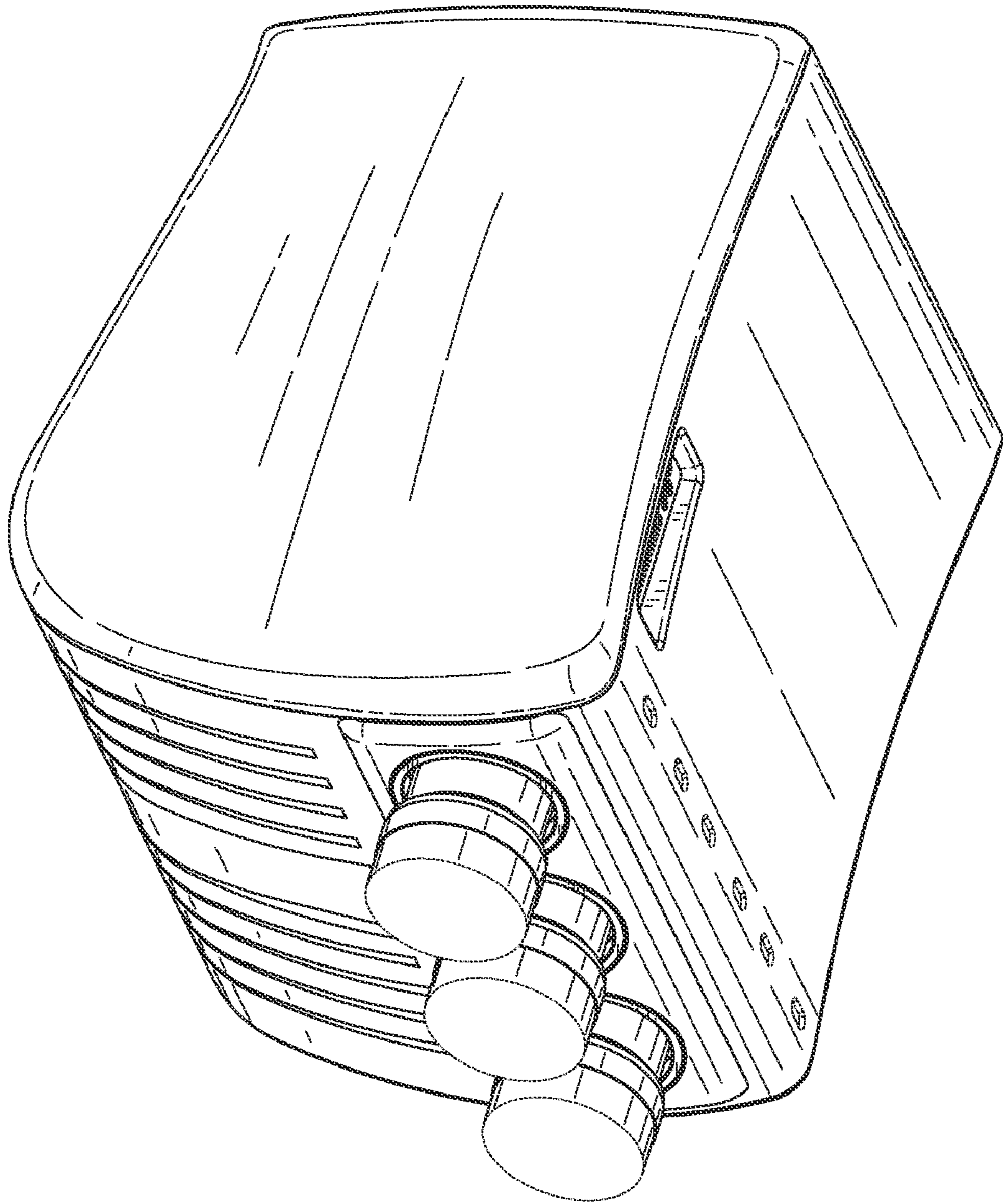


FIG. 1

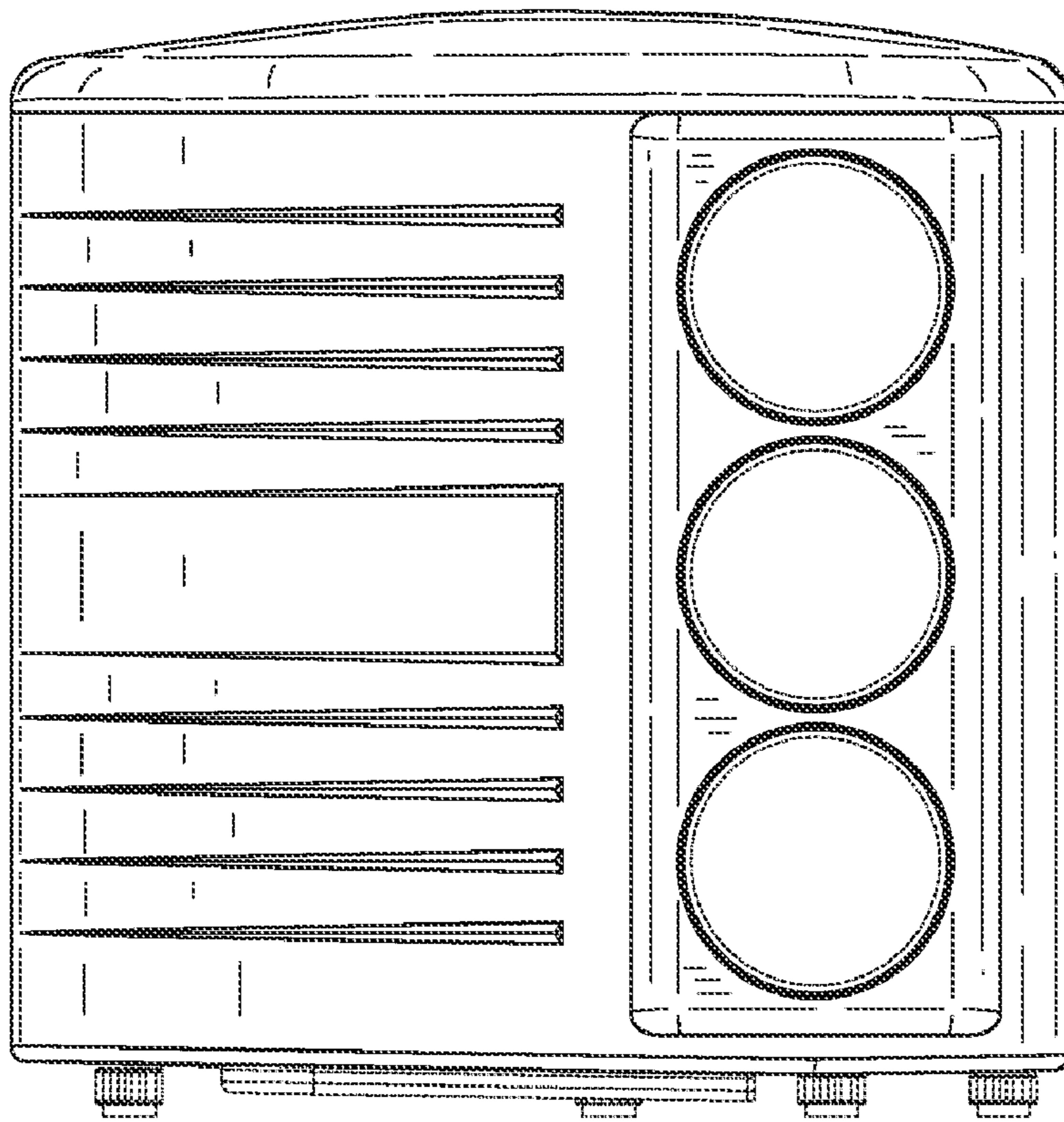


FIG.2

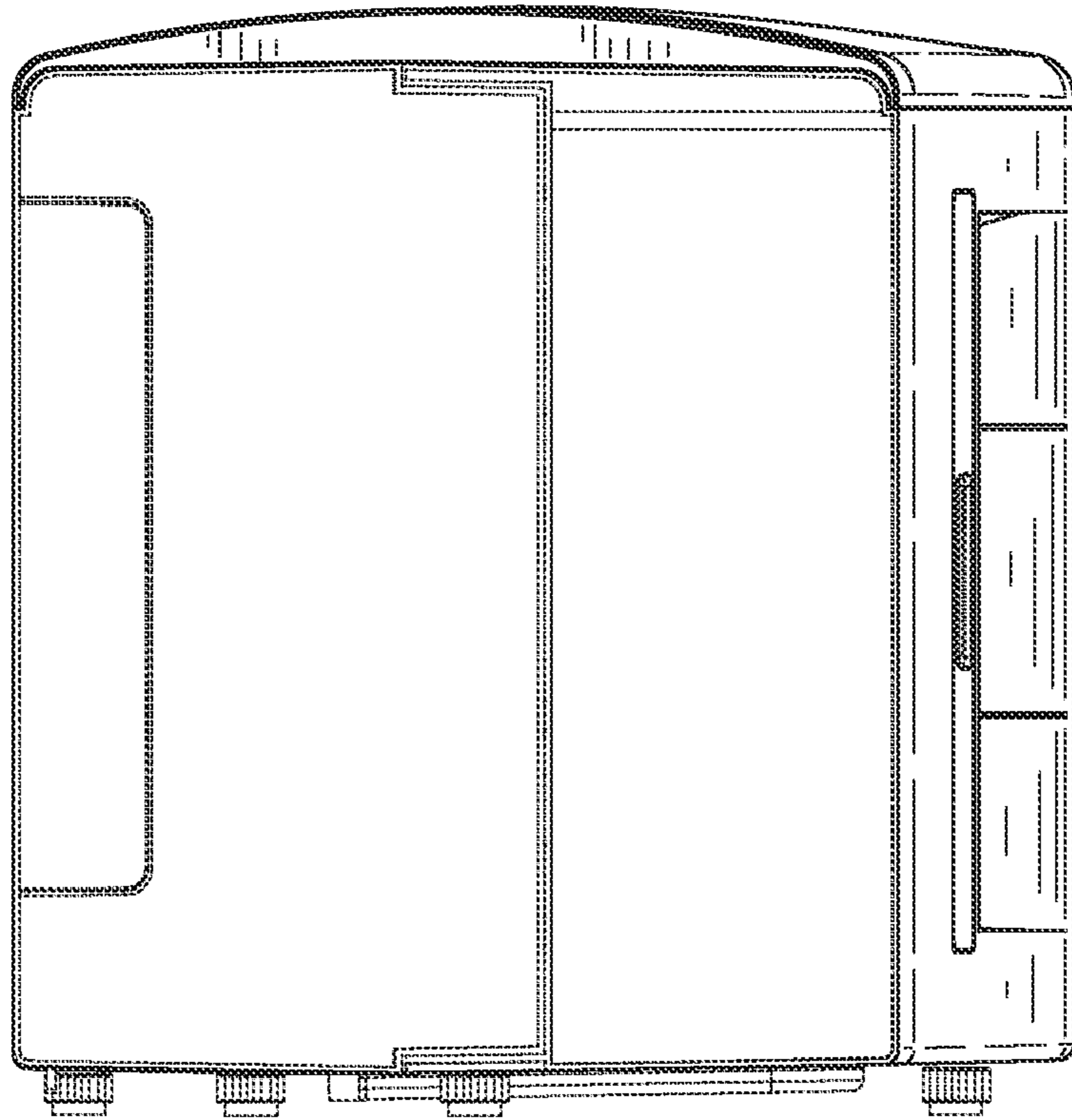


FIG.3

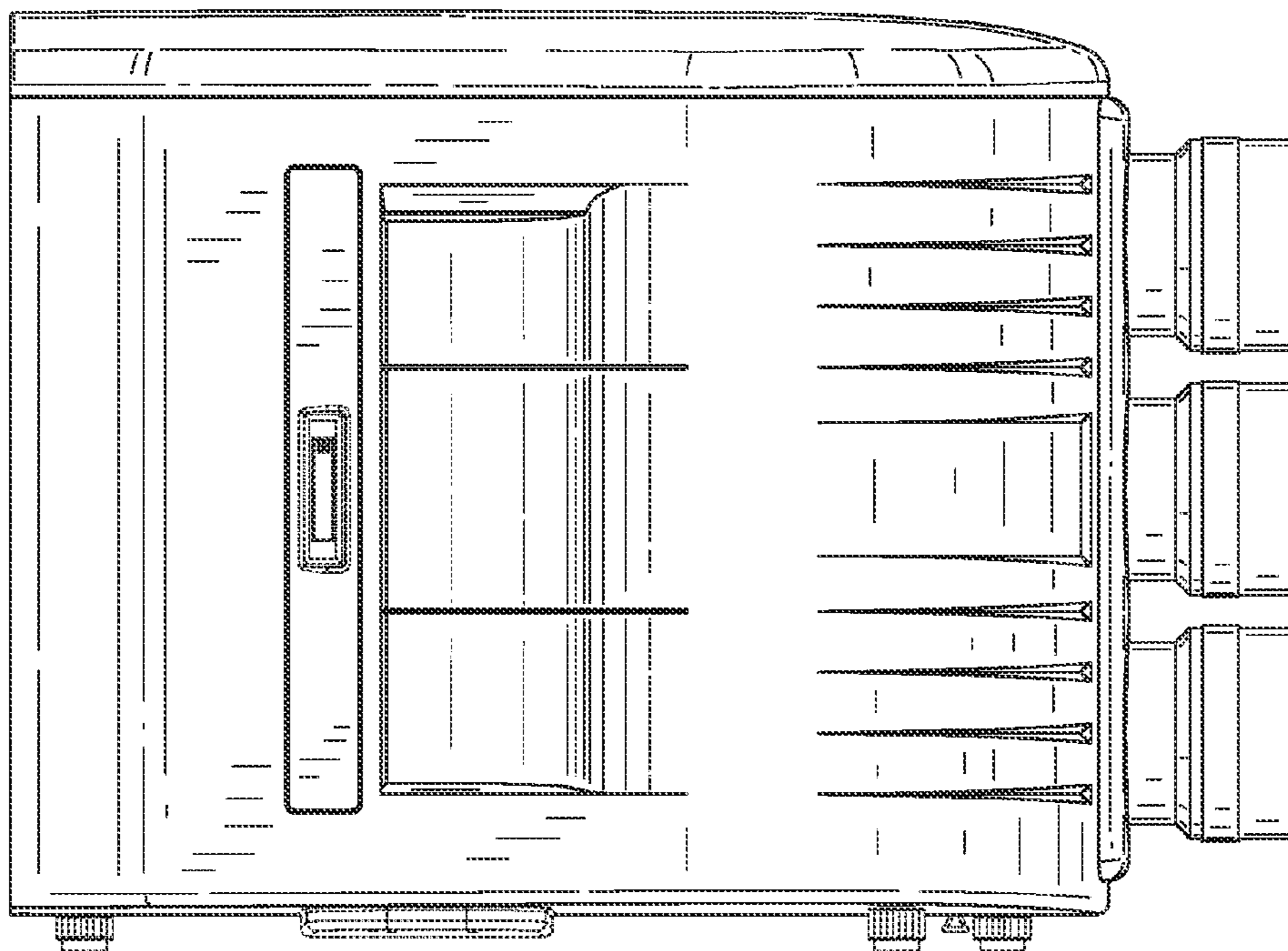


FIG.4

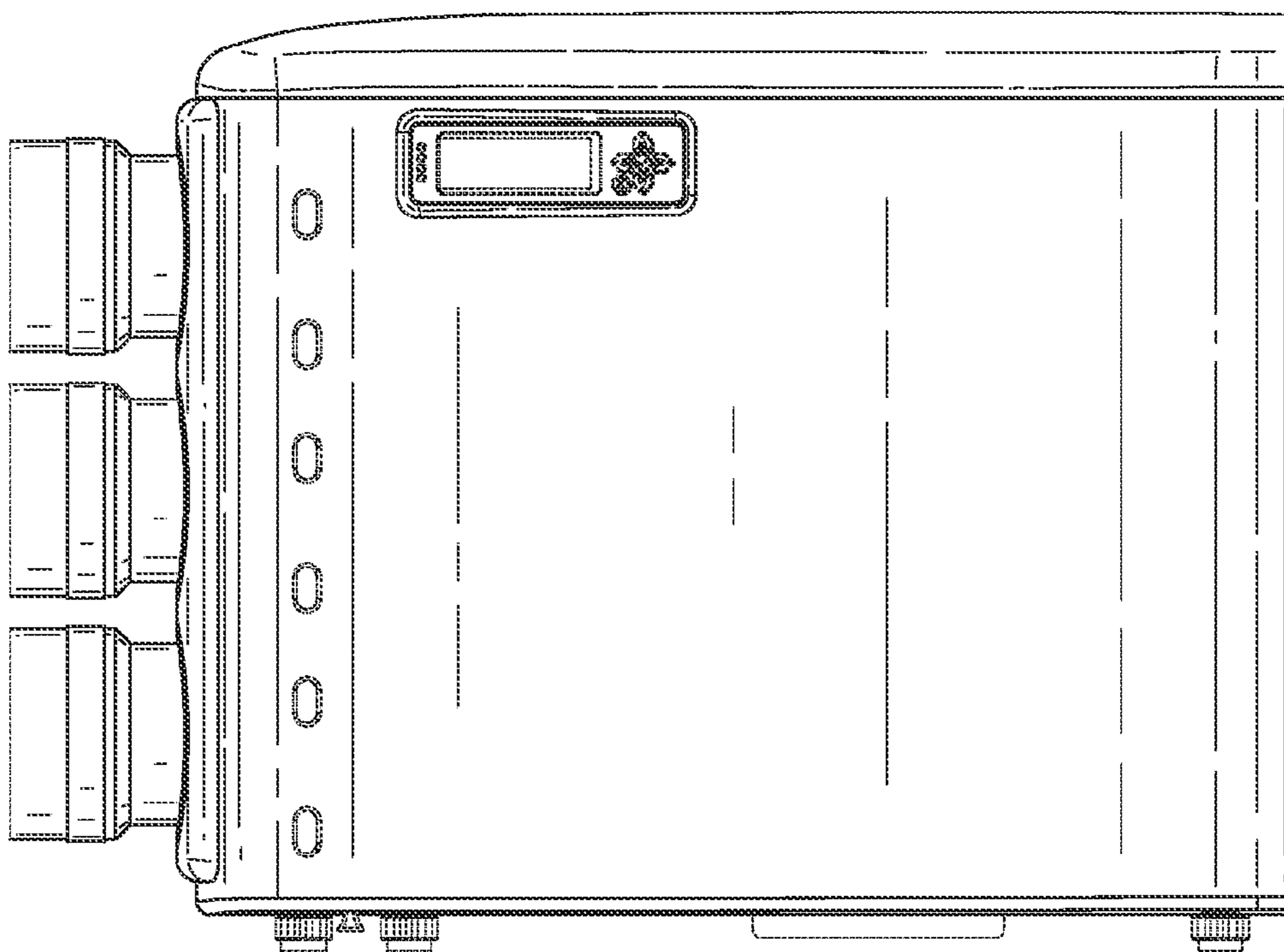


FIG.5

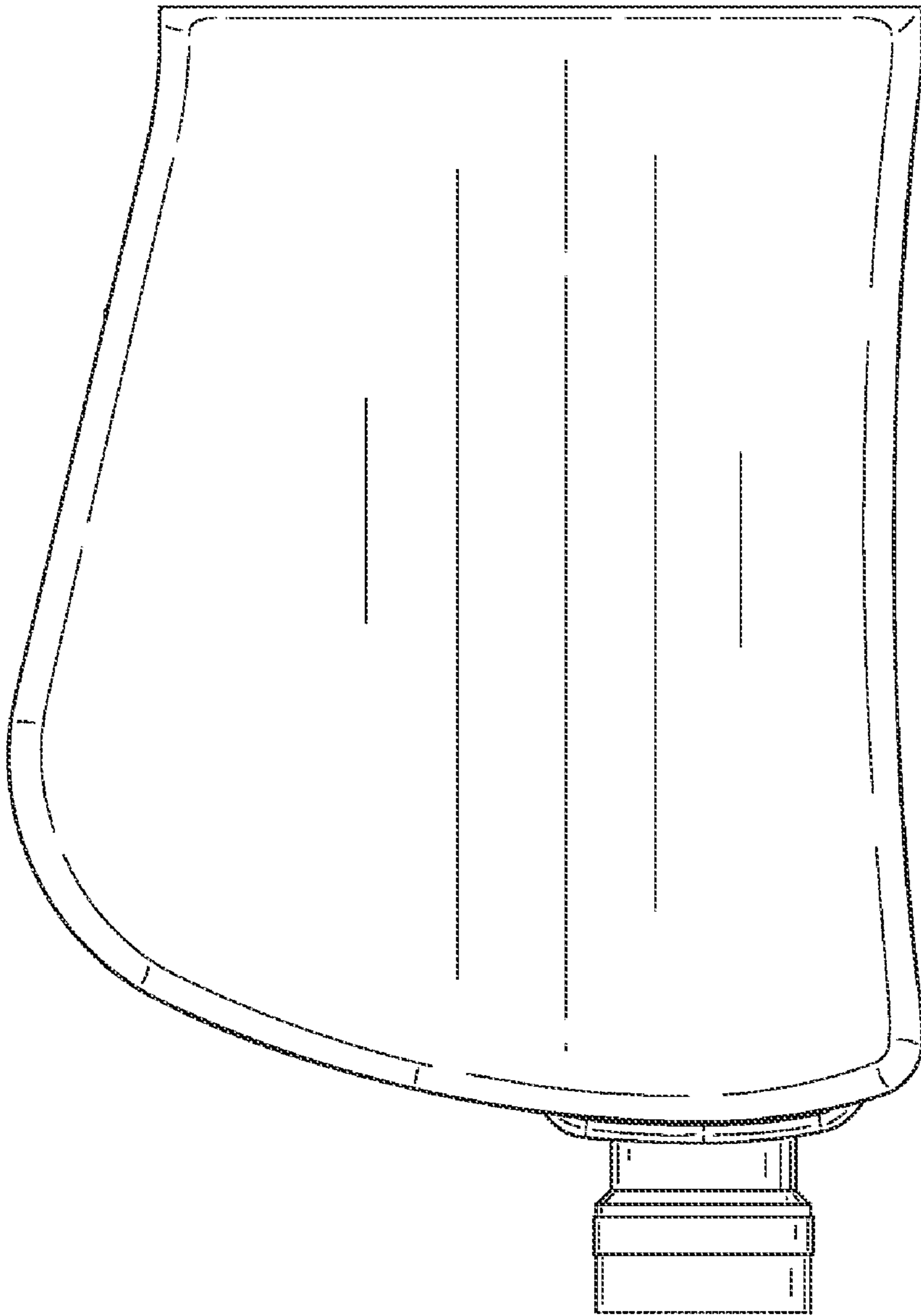


FIG. 6

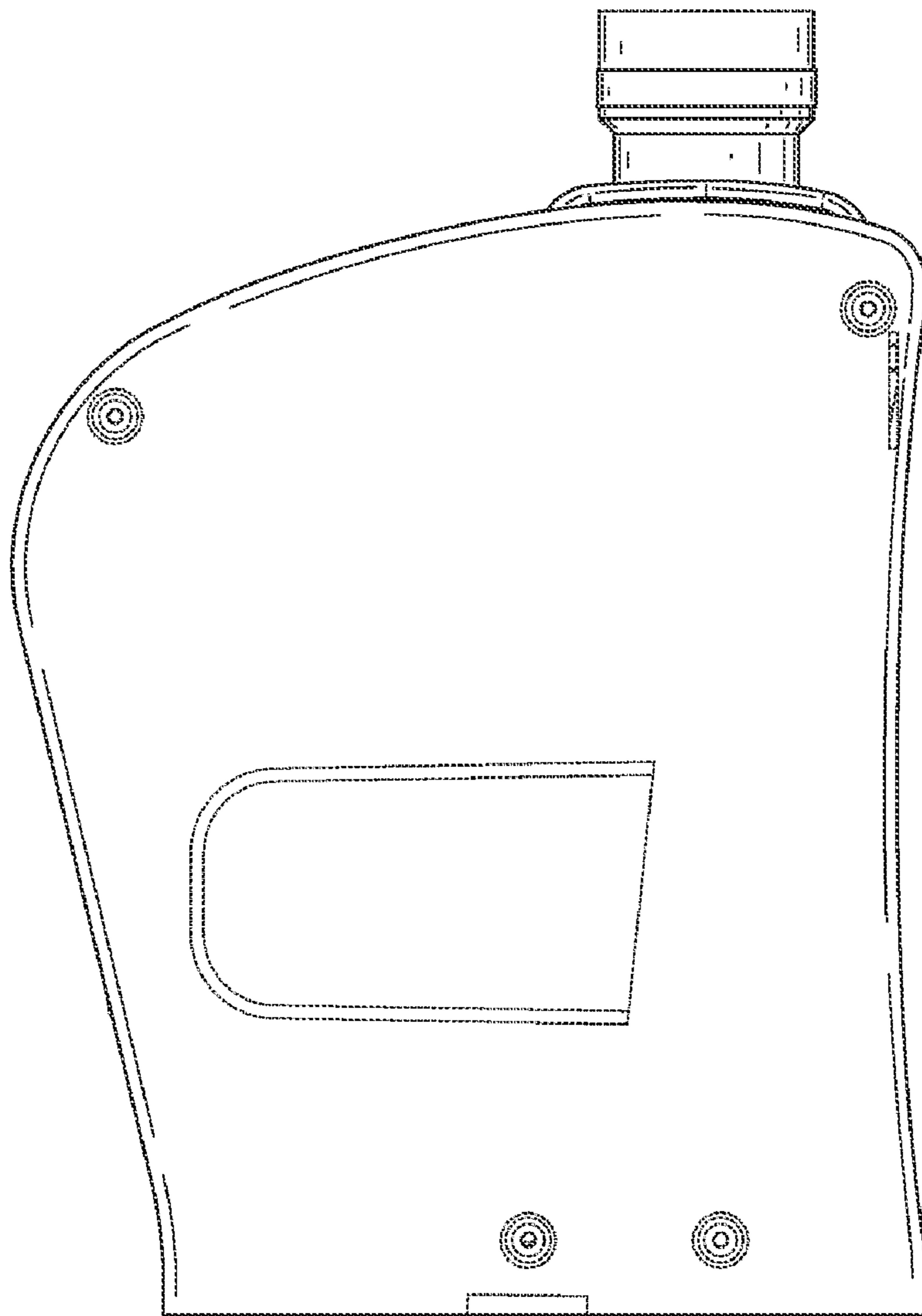


FIG. 7



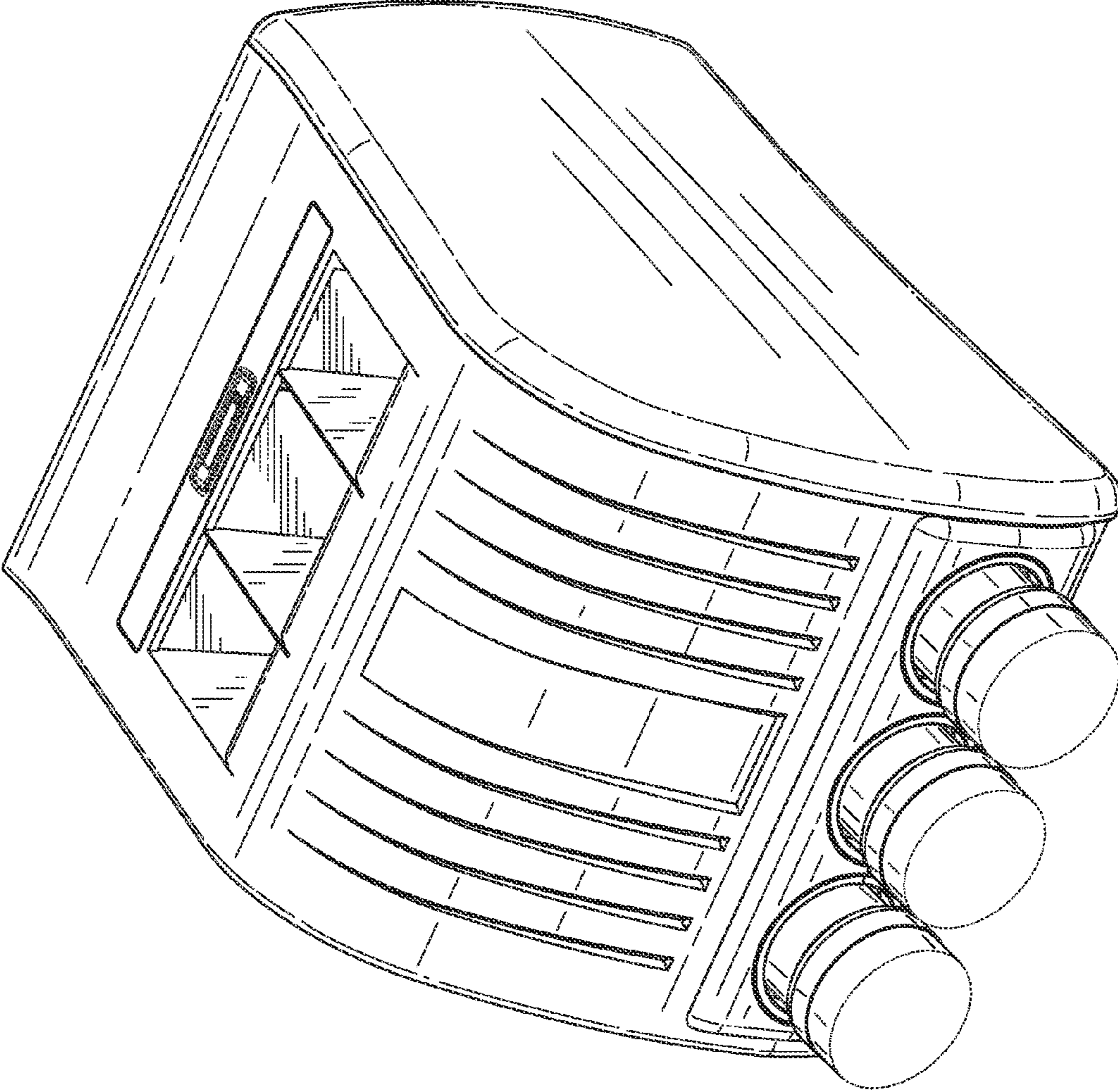


FIG.8