



US00D590863S

(12) **United States Design Patent**  
**Ke**

(10) **Patent No.:** **US D590,863 S**

(45) **Date of Patent:** **\*\* Apr. 21, 2009**

(54) **WEB CAM**

(75) Inventor: **Bing-Yu Ke**, Taipei County (TW)

(73) Assignee: **KYE Systems Corp.** (TW)

(\*\*) Term: **14 Years**

(21) Appl. No.: **29/263,239**

(22) Filed: **Jul. 18, 2006**

(51) **LOC (9) Cl.** ..... **16-01**

(52) **U.S. Cl.** ..... **D16/203; D16/202**

(58) **Field of Classification Search** ..... D16/200–206,  
D16/208, 218; 248/121, 122.1, 124.1, 124.2,  
248/187.1, 918; 348/14.01–14.1, 373–376,  
348/207.1; 396/535–541

See application file for complete search history.

(56) **References Cited**

**U.S. PATENT DOCUMENTS**

D357,929 S *	5/1995	Pierce	.....	D16/202
D454,902 S *	3/2002	Hsu et al.	.....	D16/218
7,048,454 B2 *	5/2006	Sitoh et al.	.....	248/121
D527,405 S *	8/2006	Kim et al.	.....	D16/203
D527,755 S *	9/2006	Wu	.....	D16/202
D545,858 S *	7/2007	Li	.....	D16/202

\* cited by examiner

*Primary Examiner*—Ian Simmons

*Assistant Examiner*—Wan Laymon

(74) *Attorney, Agent, or Firm*—Raymond Sun

(57) **CLAIM**

The ornamental design for a web cam, as shown and described.

**DESCRIPTION**

FIG. 1 is a perspective view of a web cam showing my new design.

FIG. 2 is a front elevational view of the web cam of FIG. 1.

FIG. 3 is a rear elevational view of the web cam of FIG. 1.

FIG. 4 is a left elevational view of the web cam of FIG. 1.

FIG. 5 is a right elevational view of the web cam of FIG. 1.

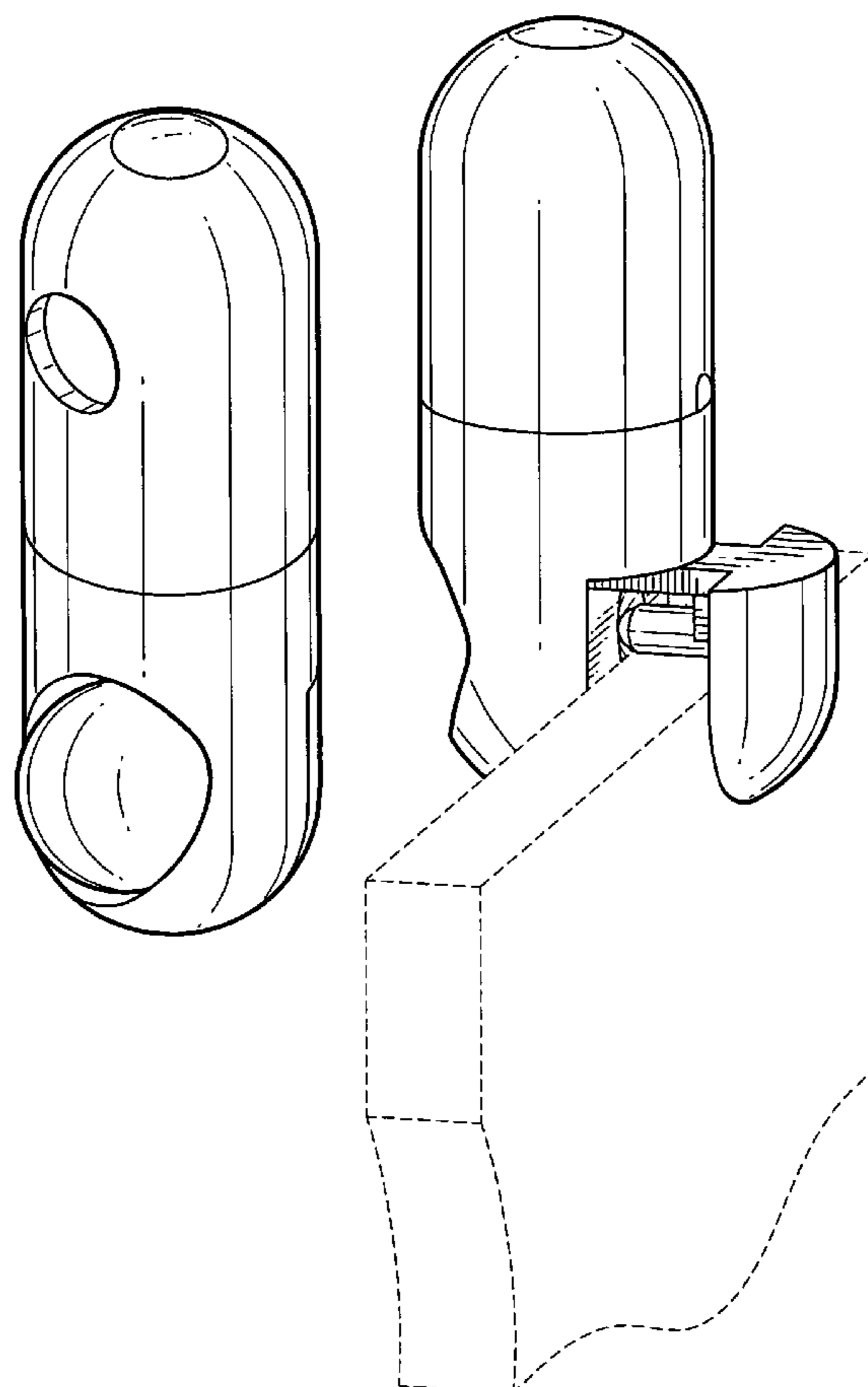
FIG. 6 is a top plan view of the web cam of FIG. 1.

FIG. 7 is a bottom plan view thereof; and,

FIG. 8 is a perspective view of the web cam of FIG. 1, as being clamped on an object.

Broken lines are for illustrative purposes and forms no part of the claimed design.

**1 Claim, 5 Drawing Sheets**



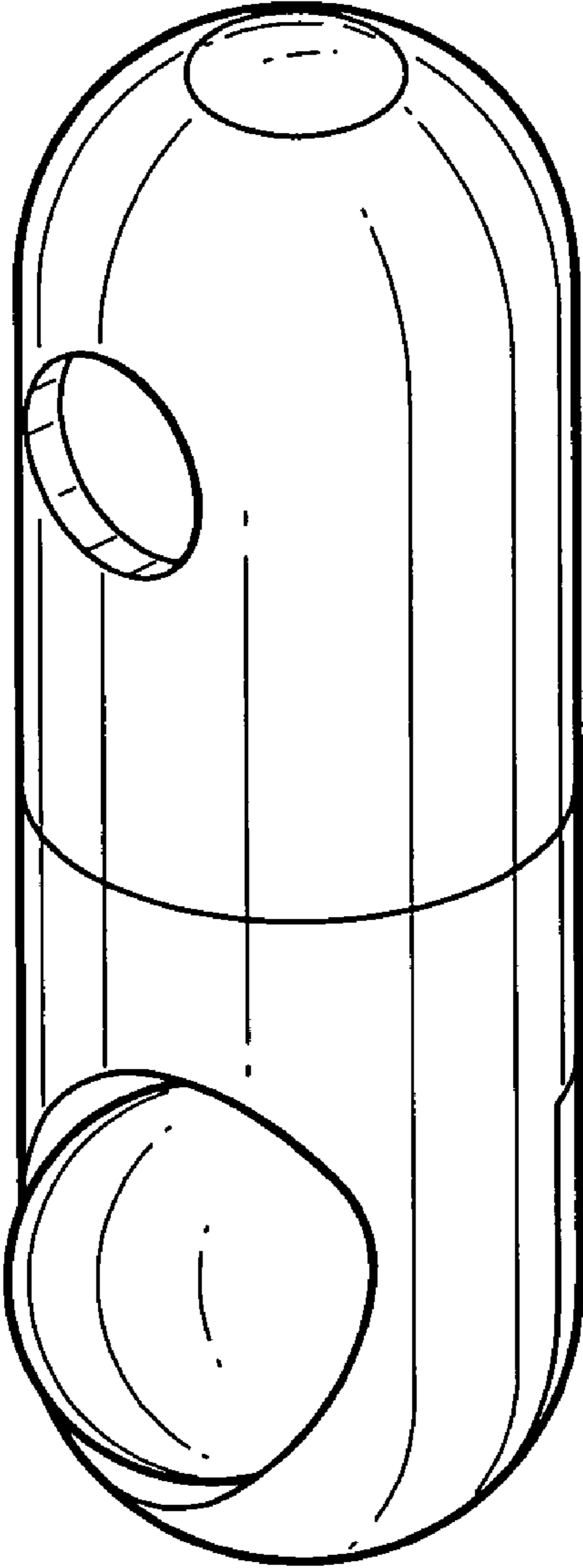


FIG. 1

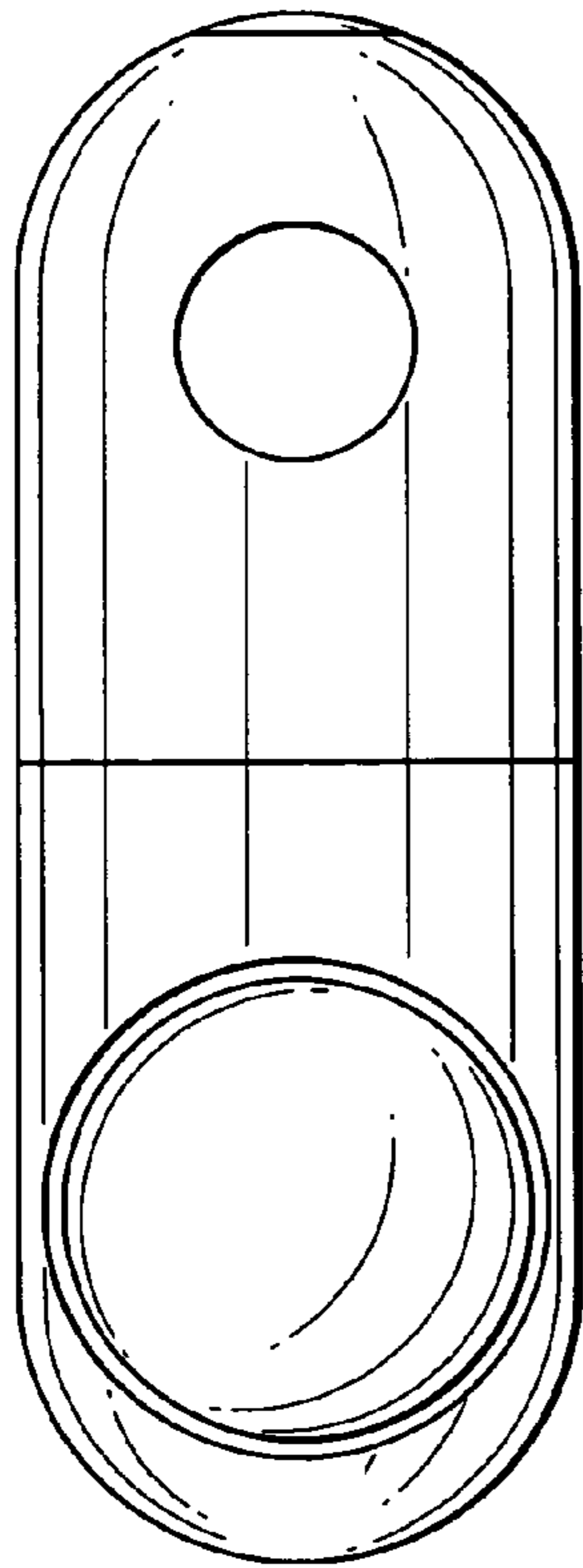


FIG. 2

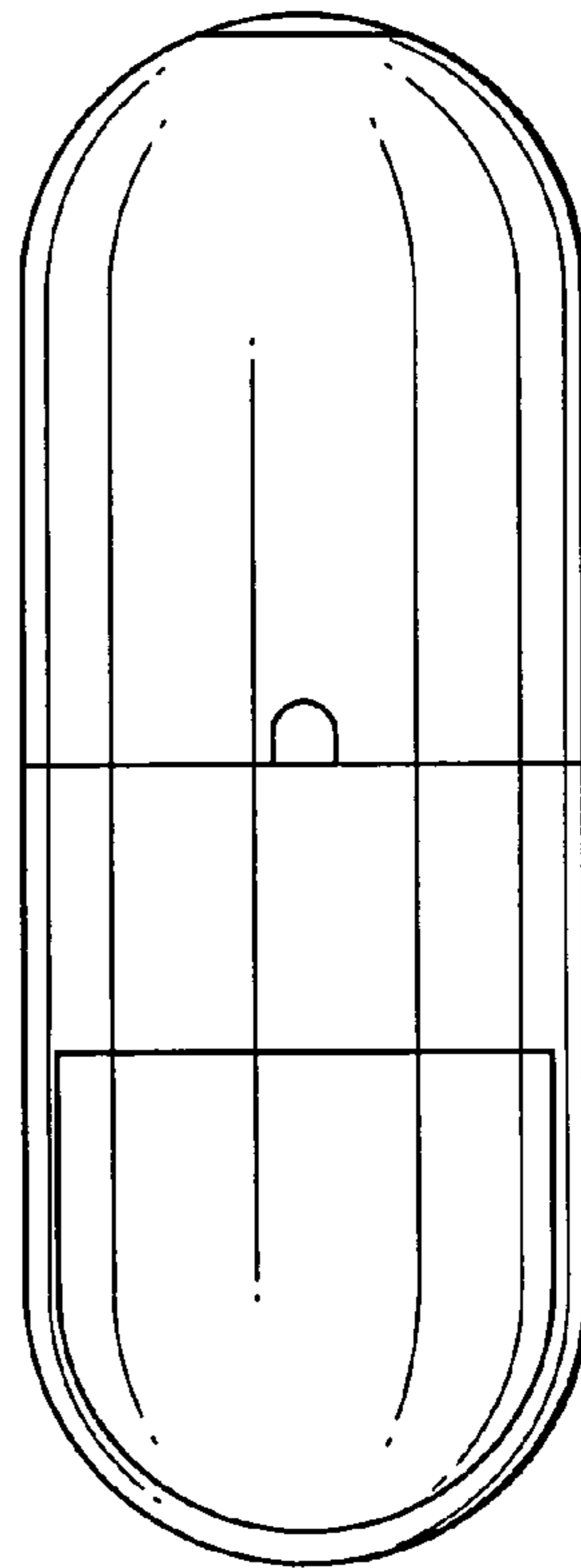


FIG. 3

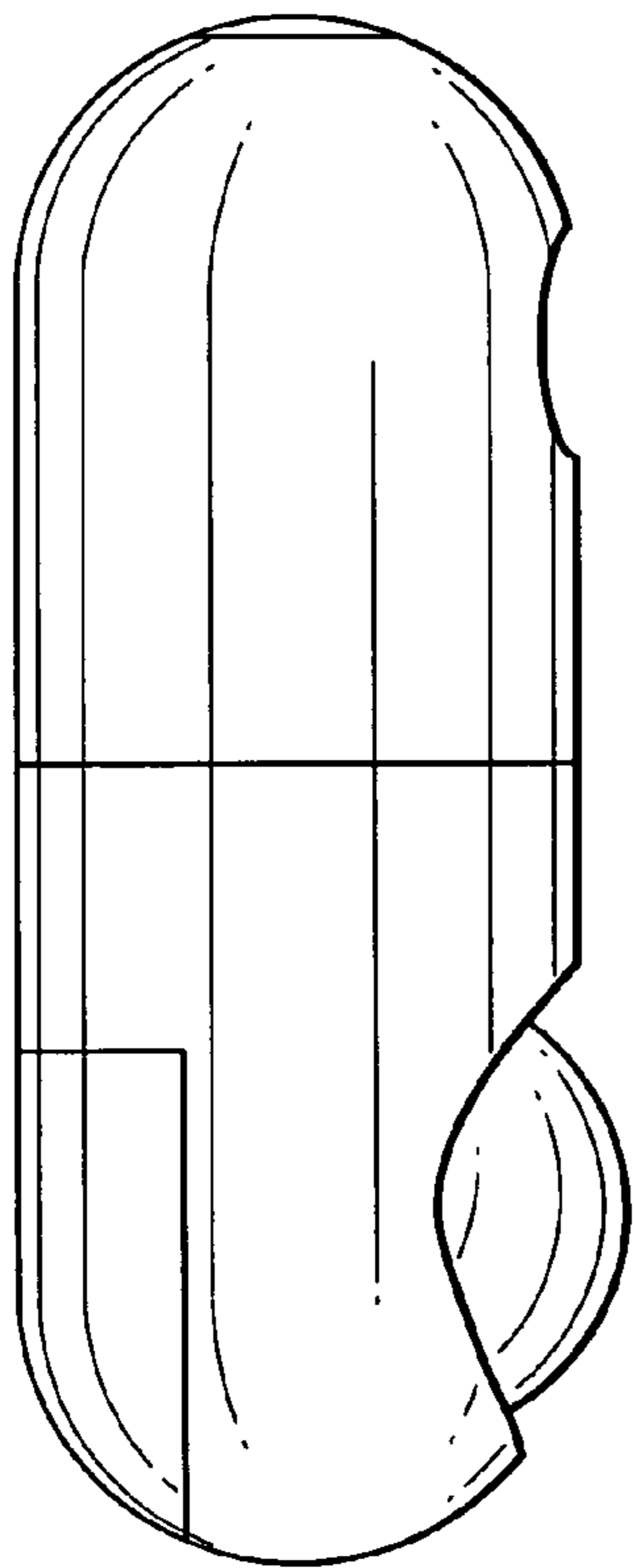


FIG. 4

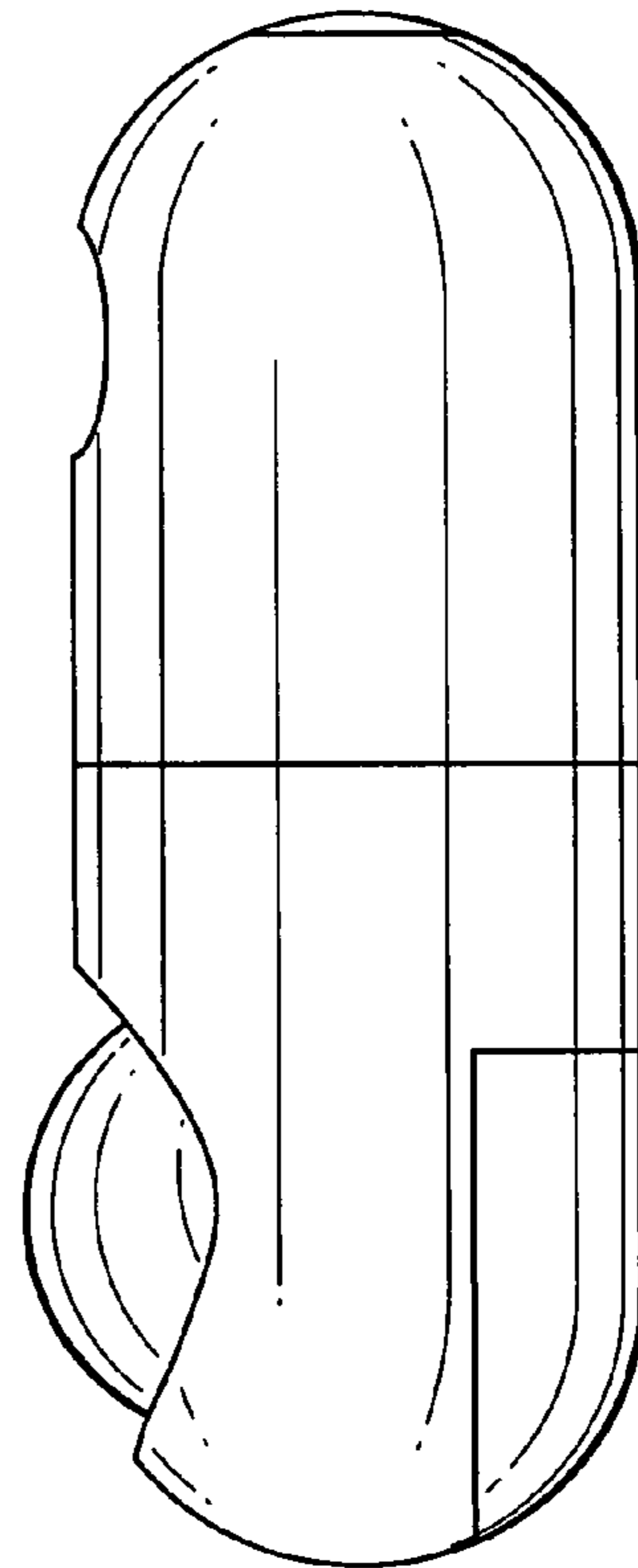


FIG. 5

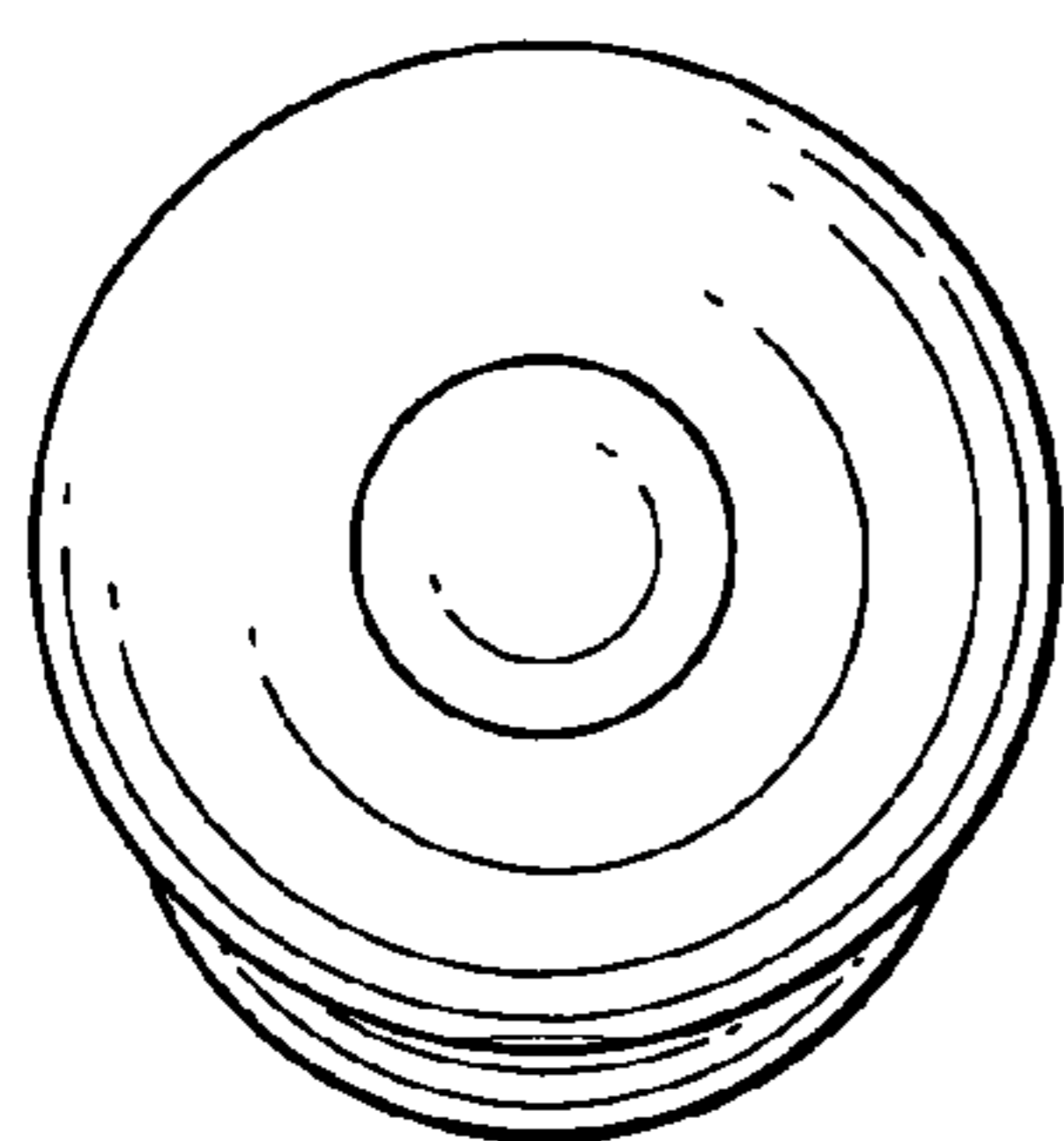


FIG. 6

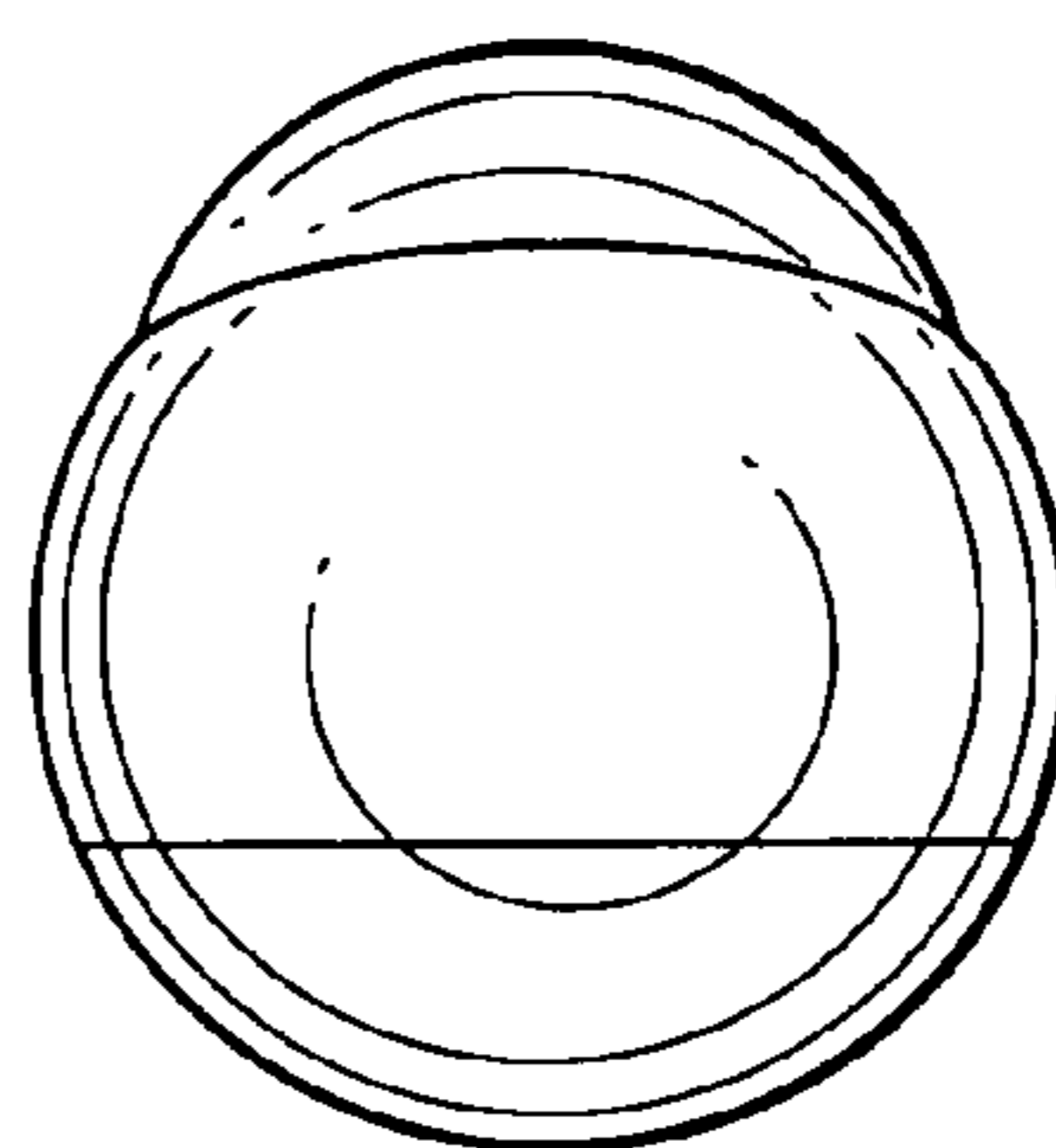


FIG. 7

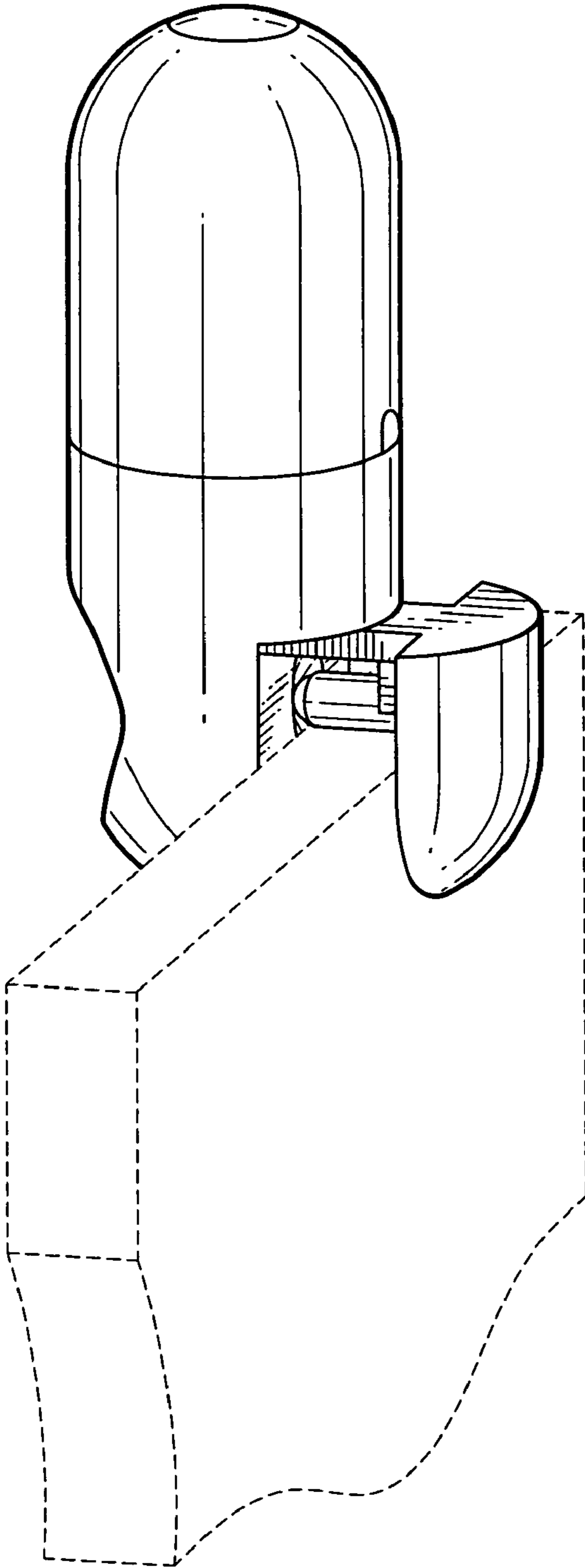


FIG.8