



US00D590862S

(12) **United States Design Patent**  
**Nishiwaki**

(10) **Patent No.:** **US D590,862 S**  
(45) **Date of Patent:** **\*\* Apr. 21, 2009**

(54) **VIDEO CAMERA WITH HARD DISC RECORDER**

(75) Inventor: **Kenji Nishiwaki**, Kadoma (JP)

(73) Assignee: **Panasonic Corporation**, Osaka (JP)

(\*\*) Term: **14 Years**

(21) Appl. No.: **29/307,990**

(22) Filed: **May 21, 2008**

(30) **Foreign Application Priority Data**

Dec. 11, 2007 (JP) ..... 2007-033891

(51) **LOC (9) Cl.** ..... **16-01**

(52) **U.S. Cl.** ..... **D16/202**

(58) **Field of Classification Search** ..... D16/200–205,  
D16/208, 218; 348/373–376; 358/906; 396/535–541  
See application file for complete search history.

(56) **References Cited**

**U.S. PATENT DOCUMENTS**

D394,075 S	5/1998	Ninomiya et al.	
D406,157 S	2/1999	Goto	
D408,042 S	4/1999	Onoda et al.	
D408,043 S	4/1999	Goto et al.	
D408,428 S	4/1999	Ninomiya et al.	
D410,017 S	5/1999	Goto et al.	
D413,910 S	9/1999	Onoda et al.	
D413,911 S	9/1999	Goto et al.	
D418,852 S	1/2000	Onoda et al.	
D419,169 S	1/2000	Masano	
D469,793 S	2/2003	Onoda et al.	
D469,794 S	2/2003	Onoda et al.	
D476,021 S	6/2003	Masano et al.	
D490,456 S	5/2004	Masano et al.	
D507,290 S	7/2005	Nishiwaki	
D532,805 S	11/2006	Masano et al.	
D544,514 S *	6/2007	Tanifuji et al. ....	D16/202
D546,855 S	7/2007	Masano et al.	
D546,856 S	7/2007	Masano et al.	

D552,652 S	10/2007	Masano et al.	
D552,653 S	10/2007	Masano et al.	
D563,447 S *	3/2008	Narita et al. ....	D16/202
D565,620 S *	4/2008	Masano ....	D16/202
D566,150 S *	4/2008	Sadatsuki ....	D16/202
D575,317 S *	8/2008	Hayashi et al. ....	D16/202
D576,187 S *	9/2008	Hayashi et al. ....	D16/202
D581,439 S *	11/2008	Narita et al. ....	D16/202
2005/0140823 A1 *	6/2005	Ishikuro ....	348/375

**FOREIGN PATENT DOCUMENTS**

JP	D1098408	1/2001
JP	D1098409	1/2001
JP	D1249190	8/2005
JP	D1276338	7/2006
JP	D1276339	7/2006
JP	D1285998	11/2006
JP	D1286000	11/2006

\* cited by examiner

*Primary Examiner*—Adir Aronovich

(74) *Attorney, Agent, or Firm*—Brinks Hofer Gilson & Lione

(57) **CLAIM**

I claim the ornamental design for a video camera with hard disc recorder, as shown and described.

**DESCRIPTION**

FIG. 1 is a front and right side perspective view of a video camera with hard disc recorder of the present invention;

FIG. 2 is a rear and left side perspective view thereof;

FIG. 3 is a front elevational view thereof;

FIG. 4 is a rear elevational view thereof;

FIG. 5 is a left side elevational view thereof;

FIG. 6 is a right side elevational view thereof;

FIG. 7 is a top plan view thereof; and,

FIG. 8 is a bottom plan view thereof.

**1 Claim, 8 Drawing Sheets**

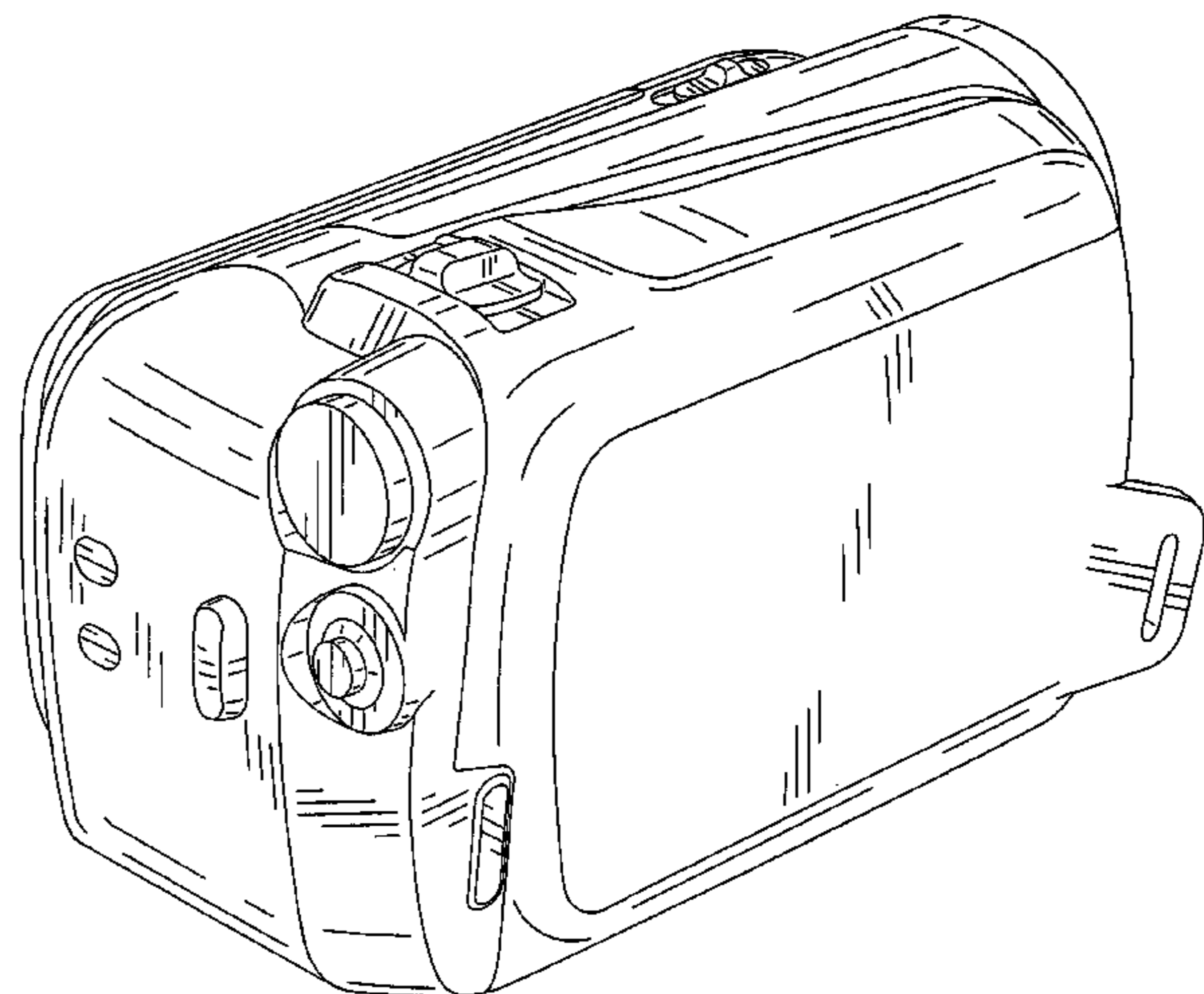
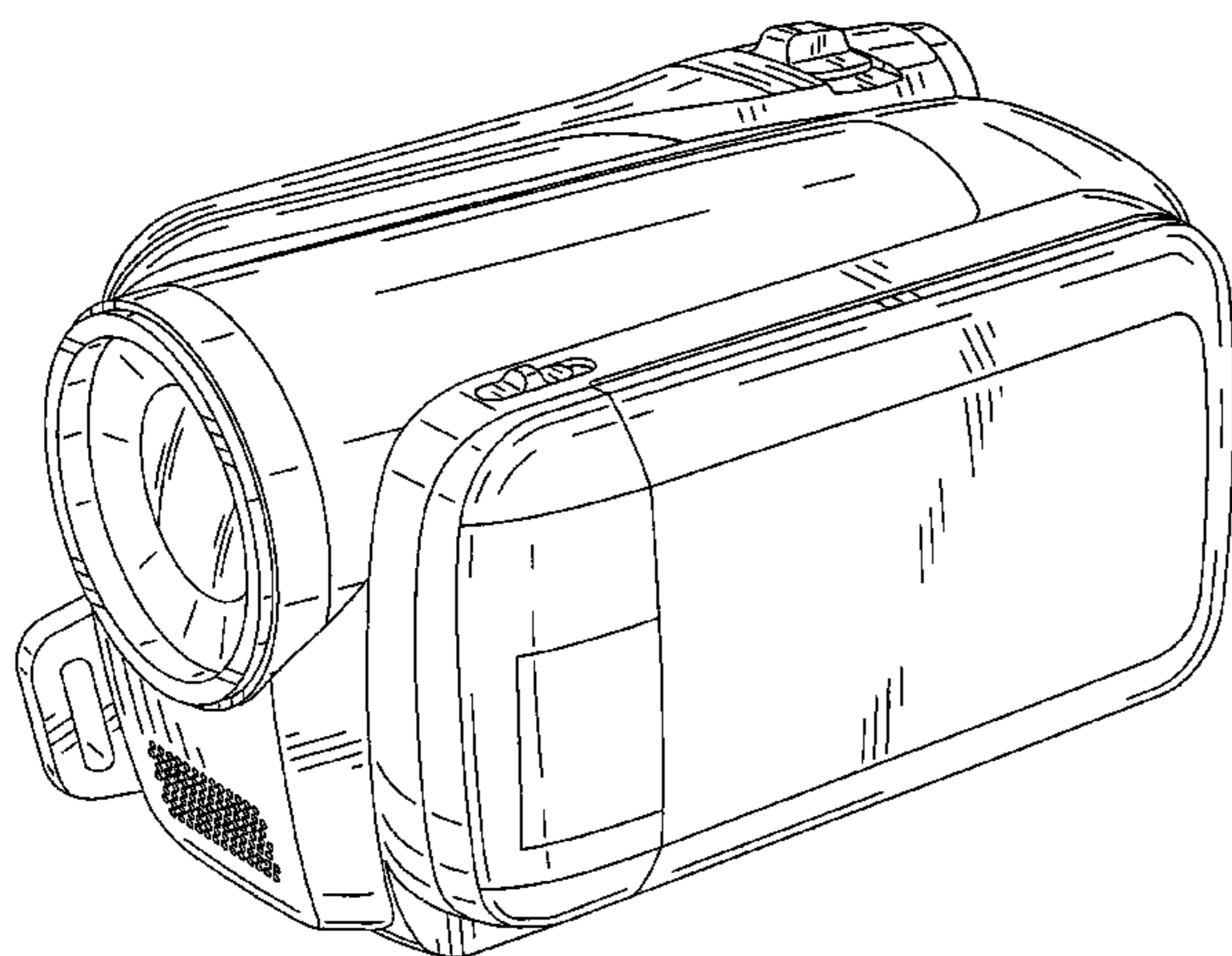


FIG.1

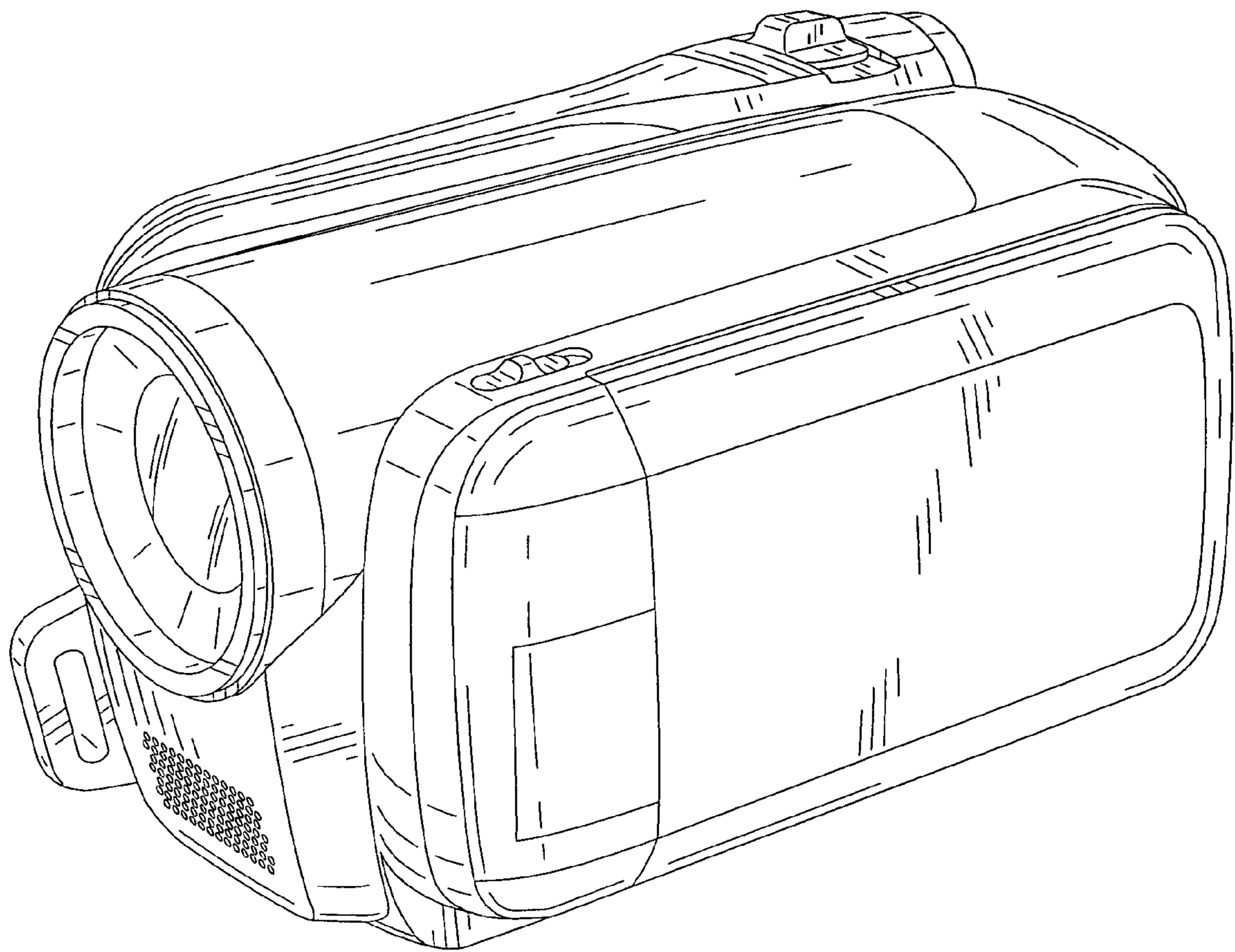


FIG.2

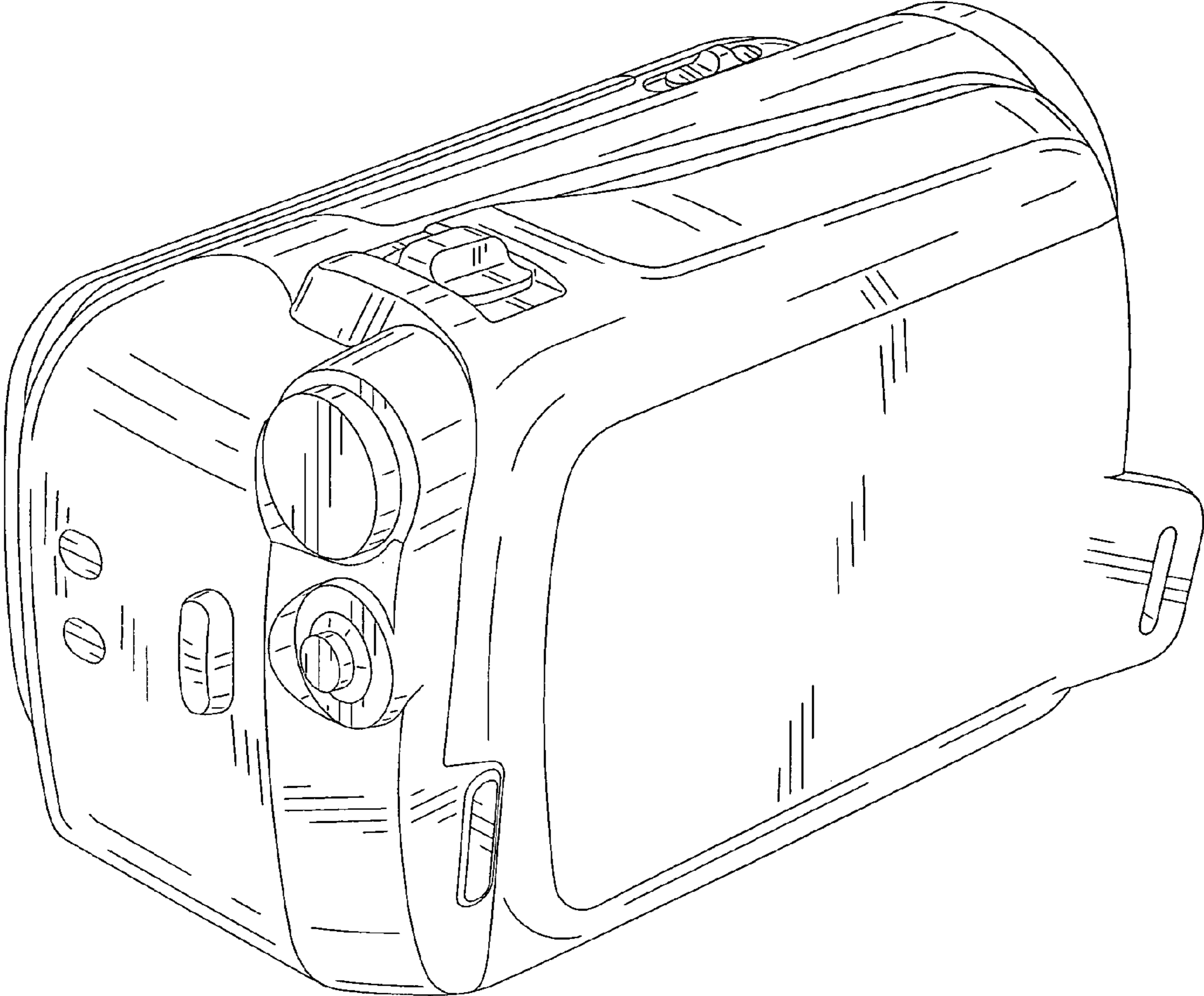


FIG.3

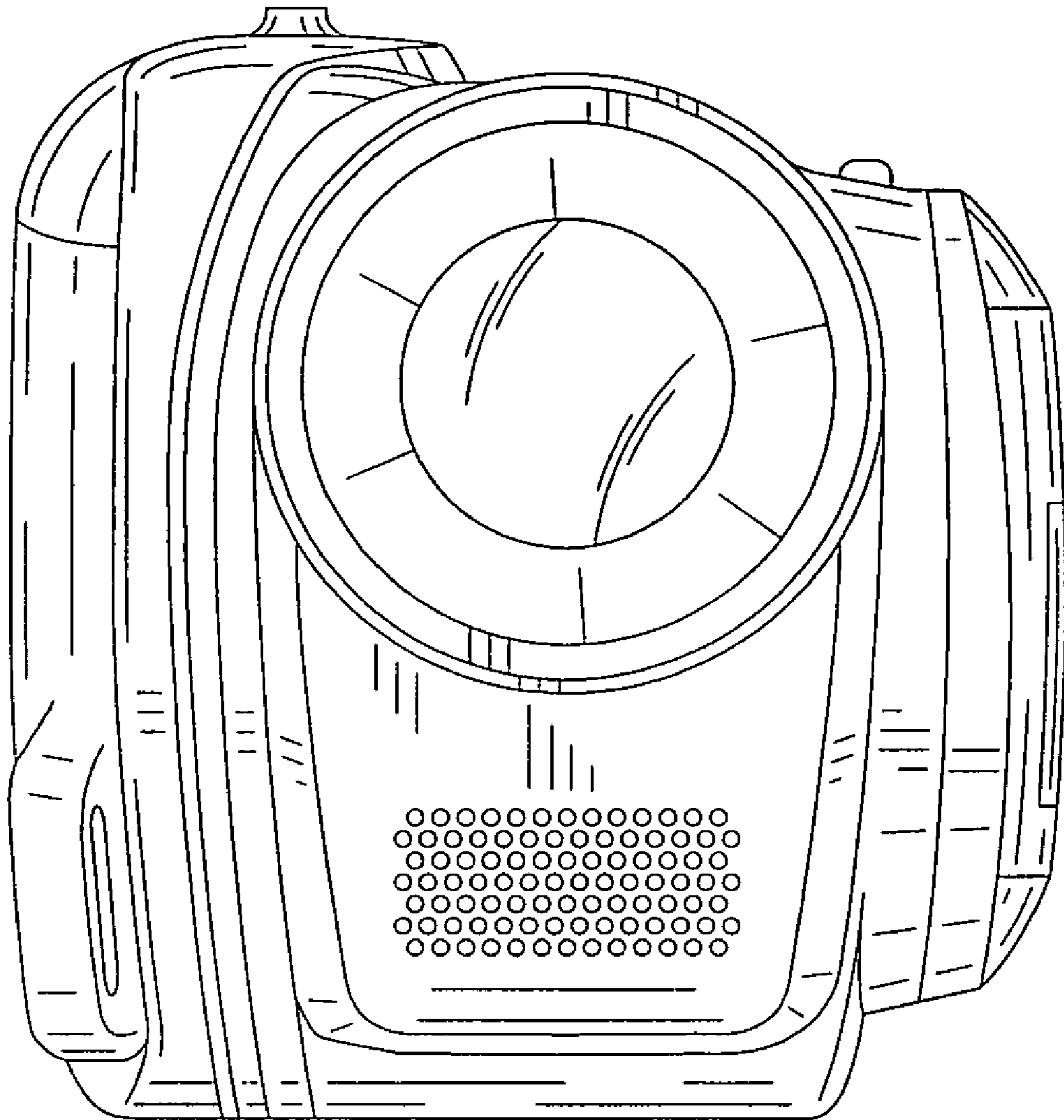


FIG.4

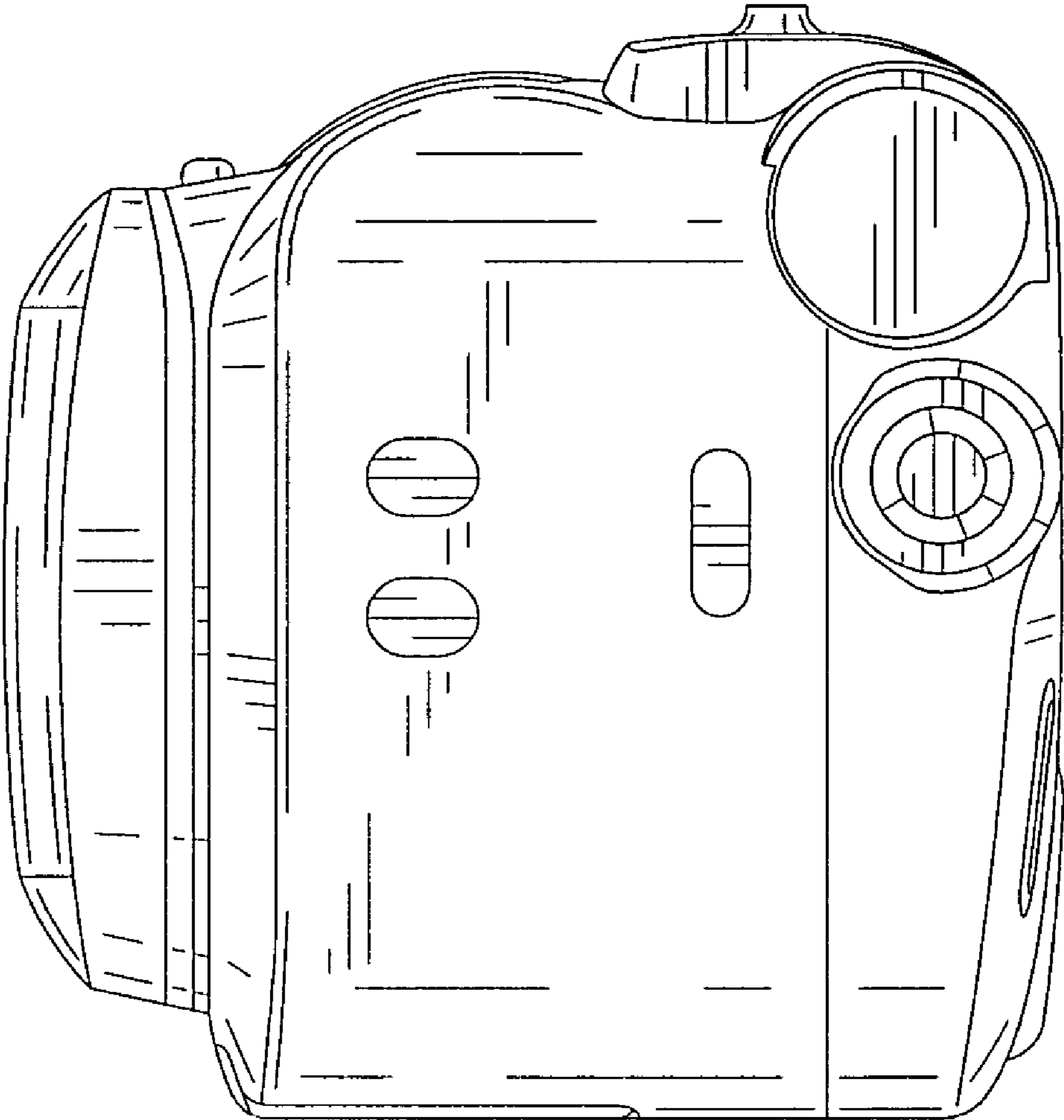


FIG.5

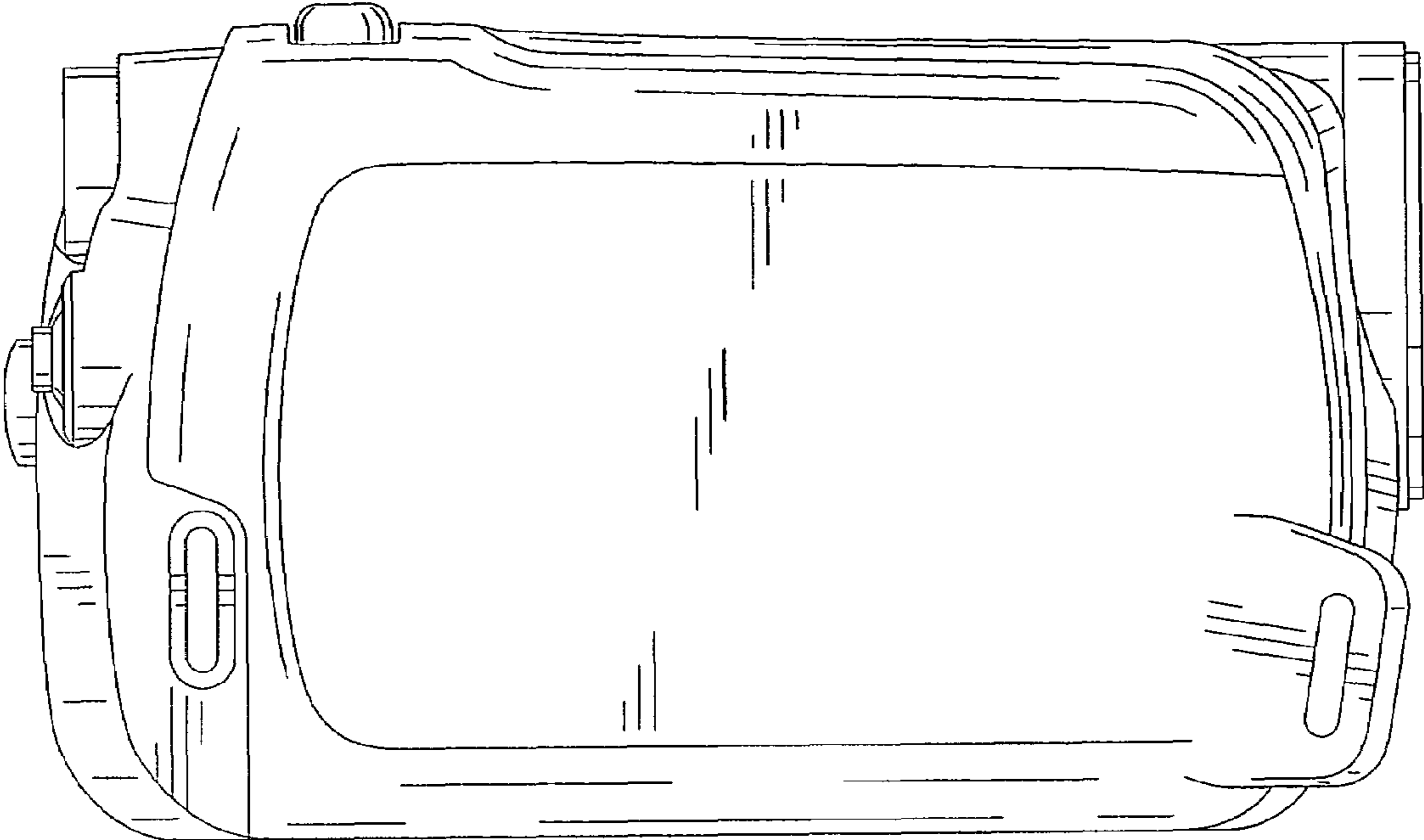


FIG.6

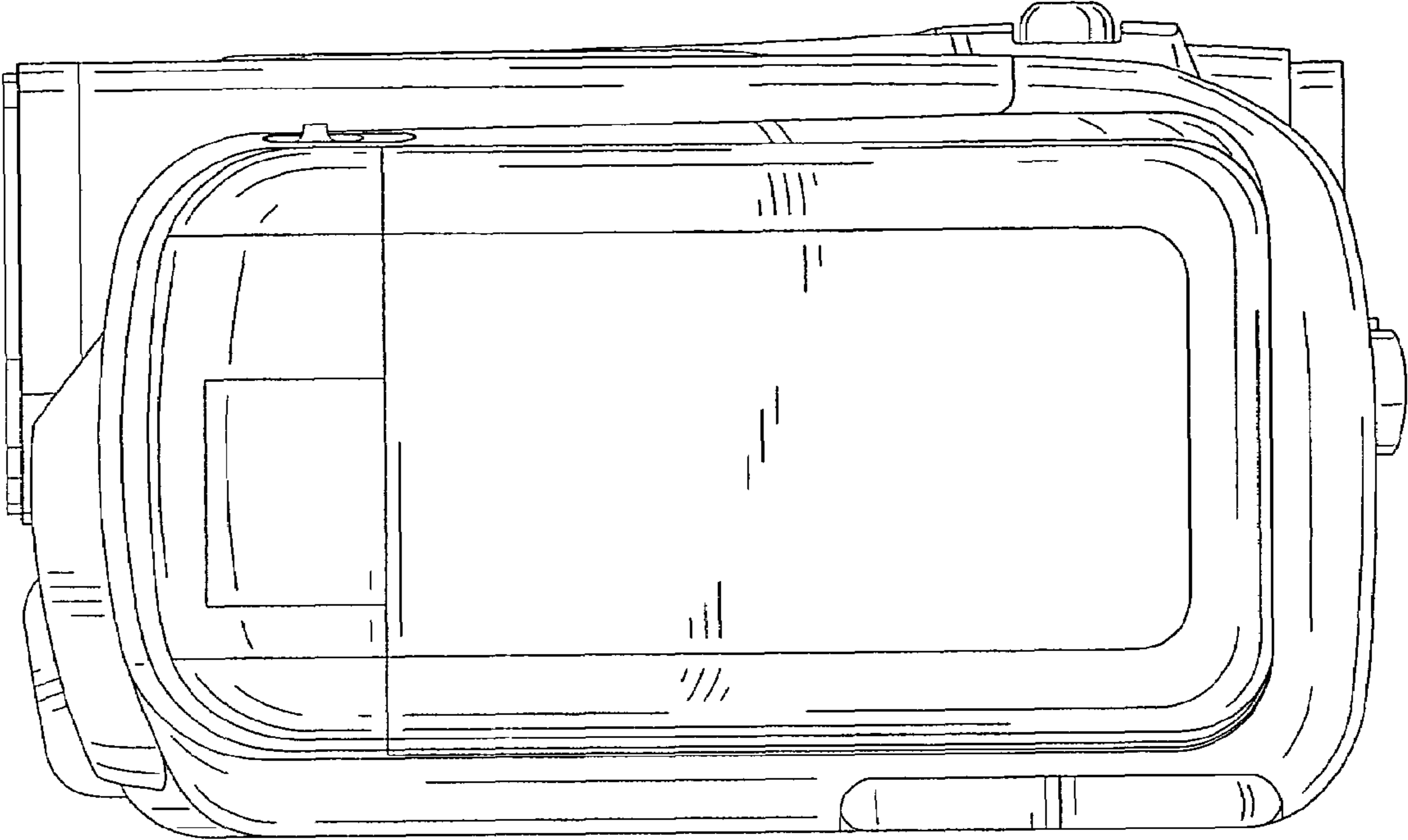


FIG.7

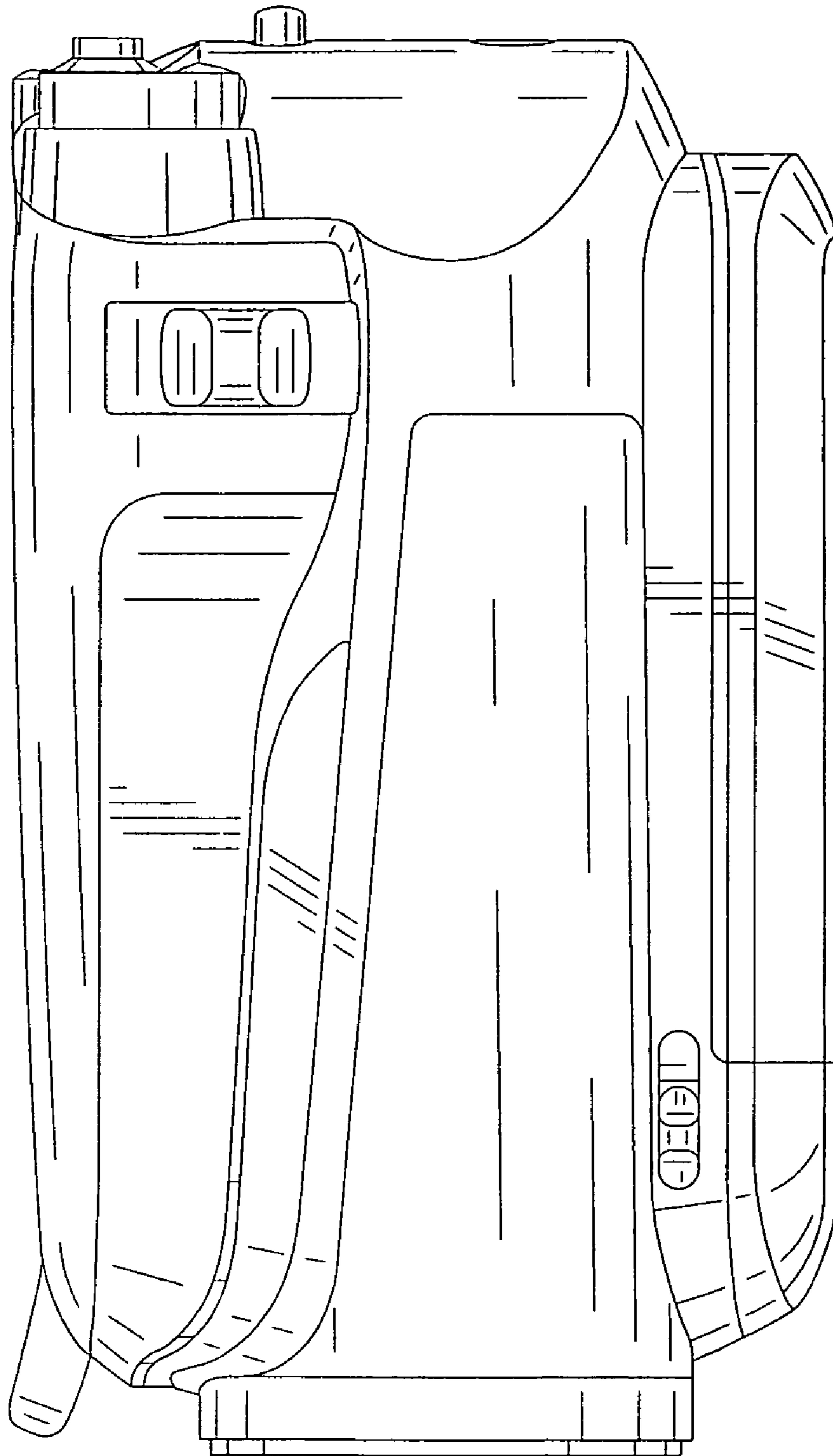




FIG.8

