



US00D590860S

(12) **United States Design Patent**  
**Yukikado**

(10) **Patent No.:** **US D590,860 S**  
(45) **Date of Patent:** **\*\* Apr. 21, 2009**

(54) **VIDEO CAMERA WITH VIDEO TAPE RECORDER**

(75) Inventor: **Kouji Yukikado**, Kadoma (JP)

(73) Assignee: **Panasonic Corporation**, Osaka (JP)

(\*\*) Term: **14 Years**

(21) Appl. No.: **29/307,974**

(22) Filed: **May 21, 2008**

(30) **Foreign Application Priority Data**

Dec. 11, 2007 (JP) ..... 2007-033888

(51) **LOC (9) Cl.** ..... **16-01**

(52) **U.S. Cl.** ..... **D16/202**

(58) **Field of Classification Search** ..... D16/200–205,  
D16/208, 218; 348/373–376; 358/906; 396/535–541  
See application file for complete search history.

(56) **References Cited**

**U.S. PATENT DOCUMENTS**

|              |         |                 |         |
|--------------|---------|-----------------|---------|
| D394,075 S   | 5/1998  | Ninomiya et al. |         |
| D406,157 S   | 2/1999  | Goto            |         |
| D408,042 S   | 4/1999  | Onoda et al.    |         |
| D408,043 S   | 4/1999  | Goto et al.     |         |
| D408,428 S   | 4/1999  | Ninomiya et al. |         |
| D410,017 S   | 5/1999  | Goto et al.     |         |
| D413,910 S   | 9/1999  | Onoda et al.    |         |
| D413,911 S   | 9/1999  | Goto et al.     |         |
| D418,852 S   | 1/2000  | Onoda et al.    |         |
| D419,169 S   | 1/2000  | Masano          |         |
| D469,793 S   | 2/2003  | Onoda et al.    |         |
| D469,794 S   | 2/2003  | Onoda et al.    |         |
| D476,021 S   | 6/2003  | Masano et al.   |         |
| D490,456 S   | 5/2004  | Masano et al.   |         |
| D507,290 S   | 7/2005  | Nishiwaki       |         |
| D516,600 S * | 3/2006  | Tsuchiya        | D16/202 |
| D532,805 S   | 11/2006 | Masano et al.   |         |
| D546,855 S   | 7/2007  | Masano et al.   |         |

|                   |         |                |         |
|-------------------|---------|----------------|---------|
| D546,856 S        | 7/2007  | Masano et al.  |         |
| D552,652 S        | 10/2007 | Masano et al.  |         |
| D552,653 S        | 10/2007 | Masano et al.  |         |
| D560,242 S *      | 1/2008  | Chung          | D16/202 |
| D560,243 S *      | 1/2008  | Kim            | D16/202 |
| D570,386 S *      | 6/2008  | Morita et al.  | D16/202 |
| D571,387 S *      | 6/2008  | Morita et al.  | D16/202 |
| D575,317 S *      | 8/2008  | Hayashi et al. | D16/202 |
| 2005/0140823 A1 * | 6/2005  | Ishikuro       | 348/375 |

**FOREIGN PATENT DOCUMENTS**

|    |          |         |
|----|----------|---------|
| JP | D1098408 | 1/2001  |
| JP | D1098409 | 1/2001  |
| JP | D1249190 | 8/2005  |
| JP | D1276338 | 7/2006  |
| JP | D1276339 | 7/2006  |
| JP | D1285998 | 11/2006 |
| JP | D1286000 | 11/2006 |

\* cited by examiner

*Primary Examiner*—Adir Aronovich

(74) *Attorney, Agent, or Firm*—Brinks Hofer Gilson & Lione

(57) **CLAIM**

I claim the ornamental design for a video camera with video tape recorder, as shown and described.

**DESCRIPTION**

FIG. 1 is a front and right side perspective view of a video camera with video tape recorder of the present invention;

FIG. 2 is a rear and left side perspective view thereof;

FIG. 3 is a front elevational view thereof;

FIG. 4 is a rear elevational view thereof;

FIG. 5 is a left side elevational view thereof;

FIG. 6 is a right side elevational view thereof;

FIG. 7 is a top plan view thereof; and,

FIG. 8 is a bottom plan view thereof.

**1 Claim, 8 Drawing Sheets**

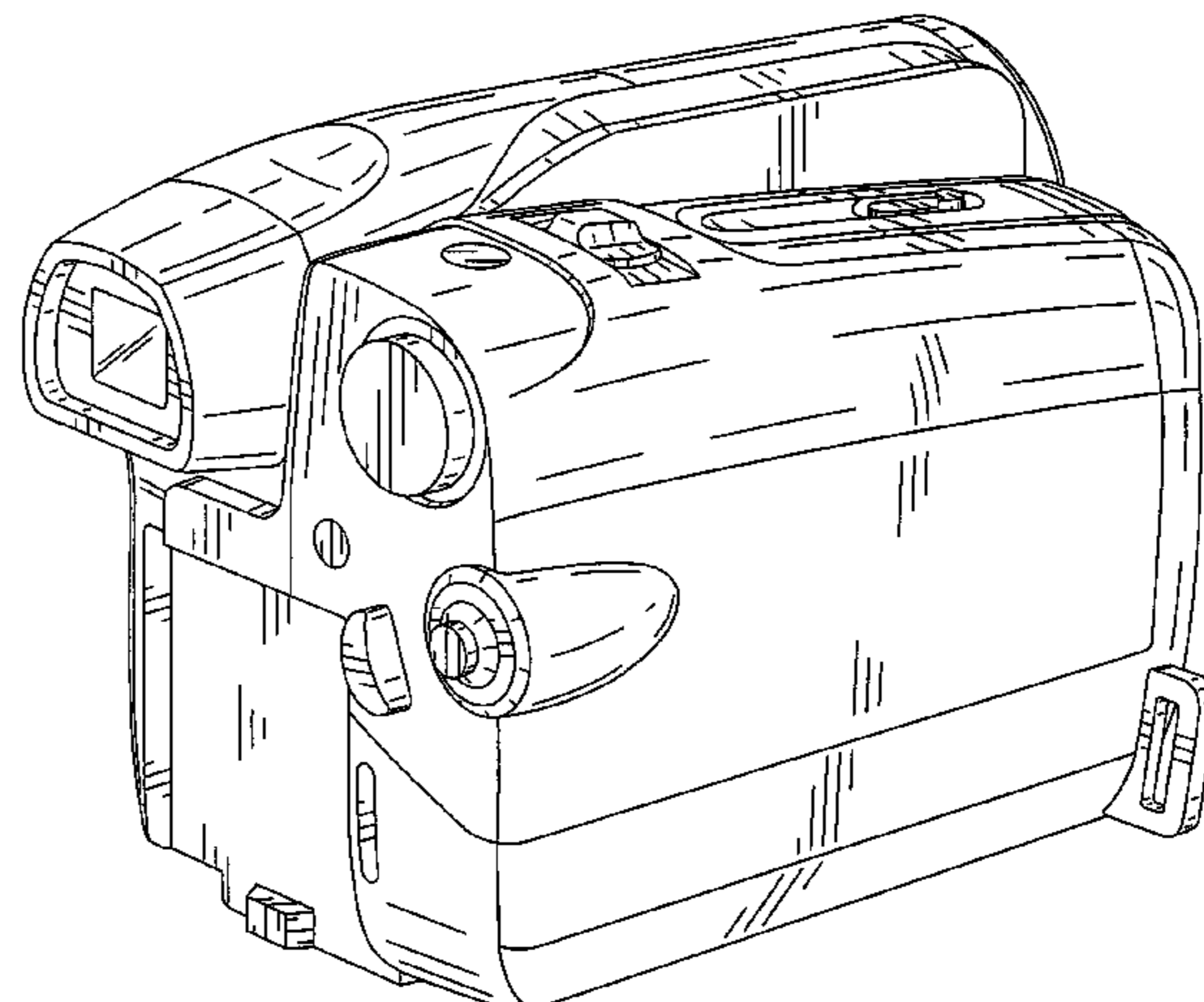
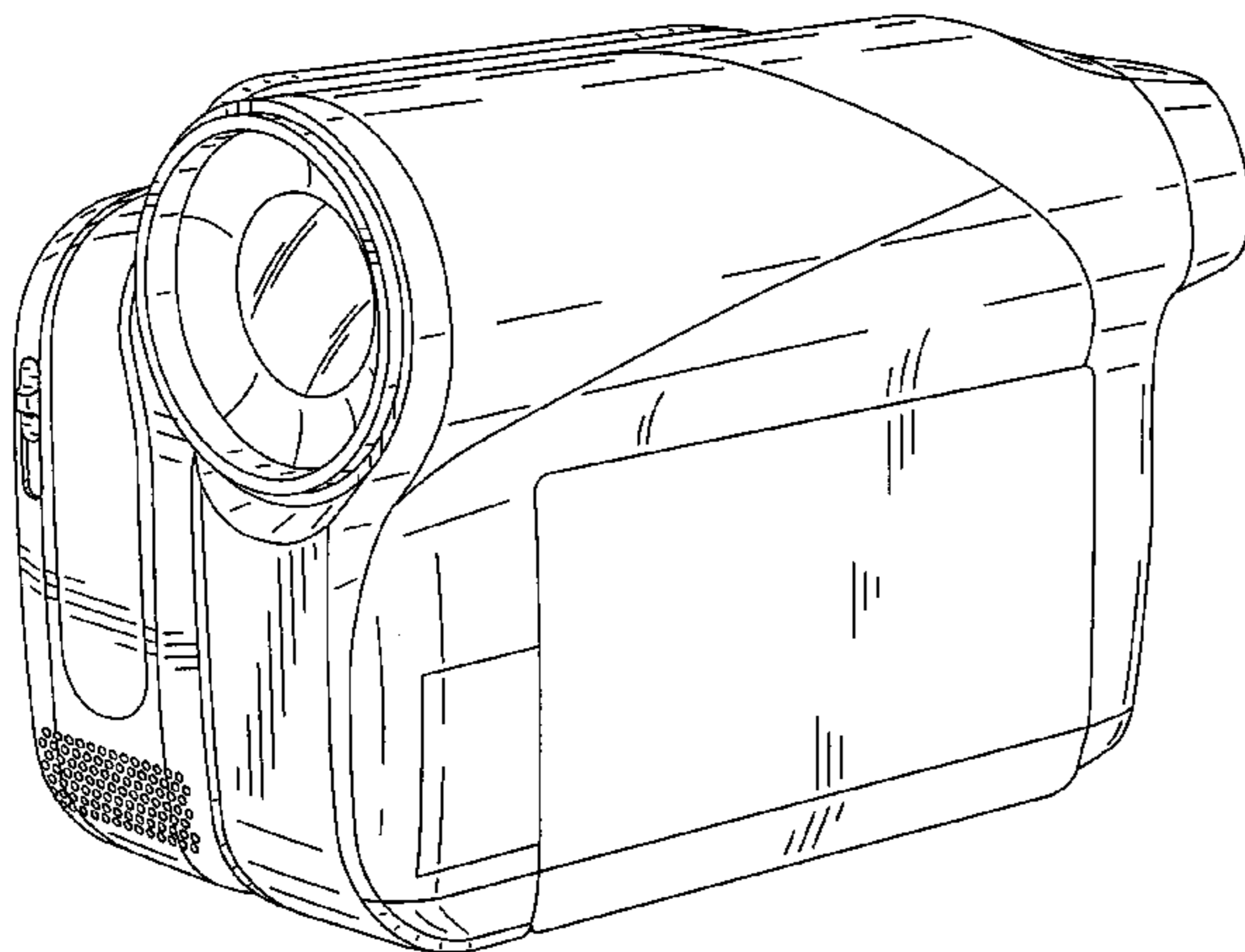


FIG.1

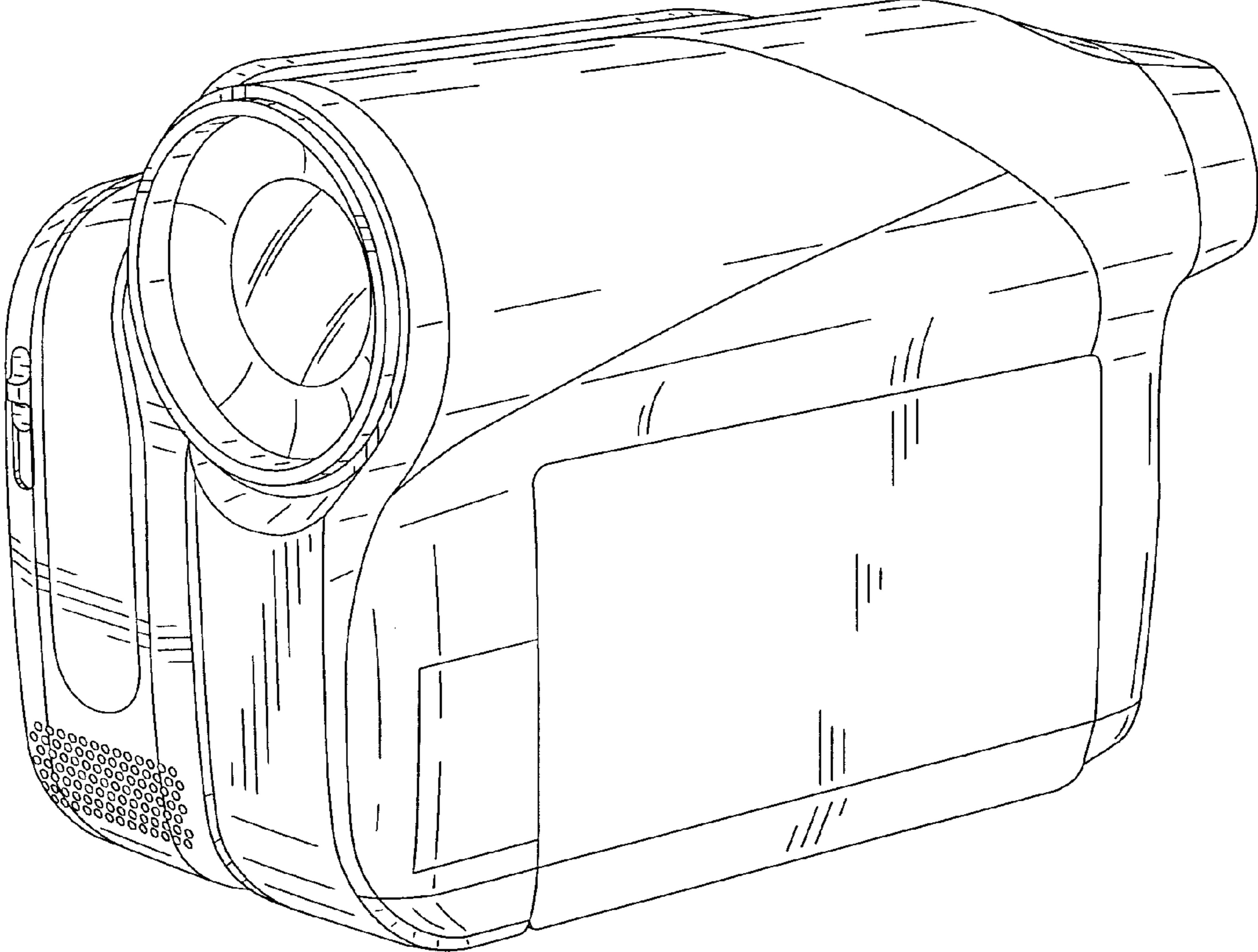


FIG.2

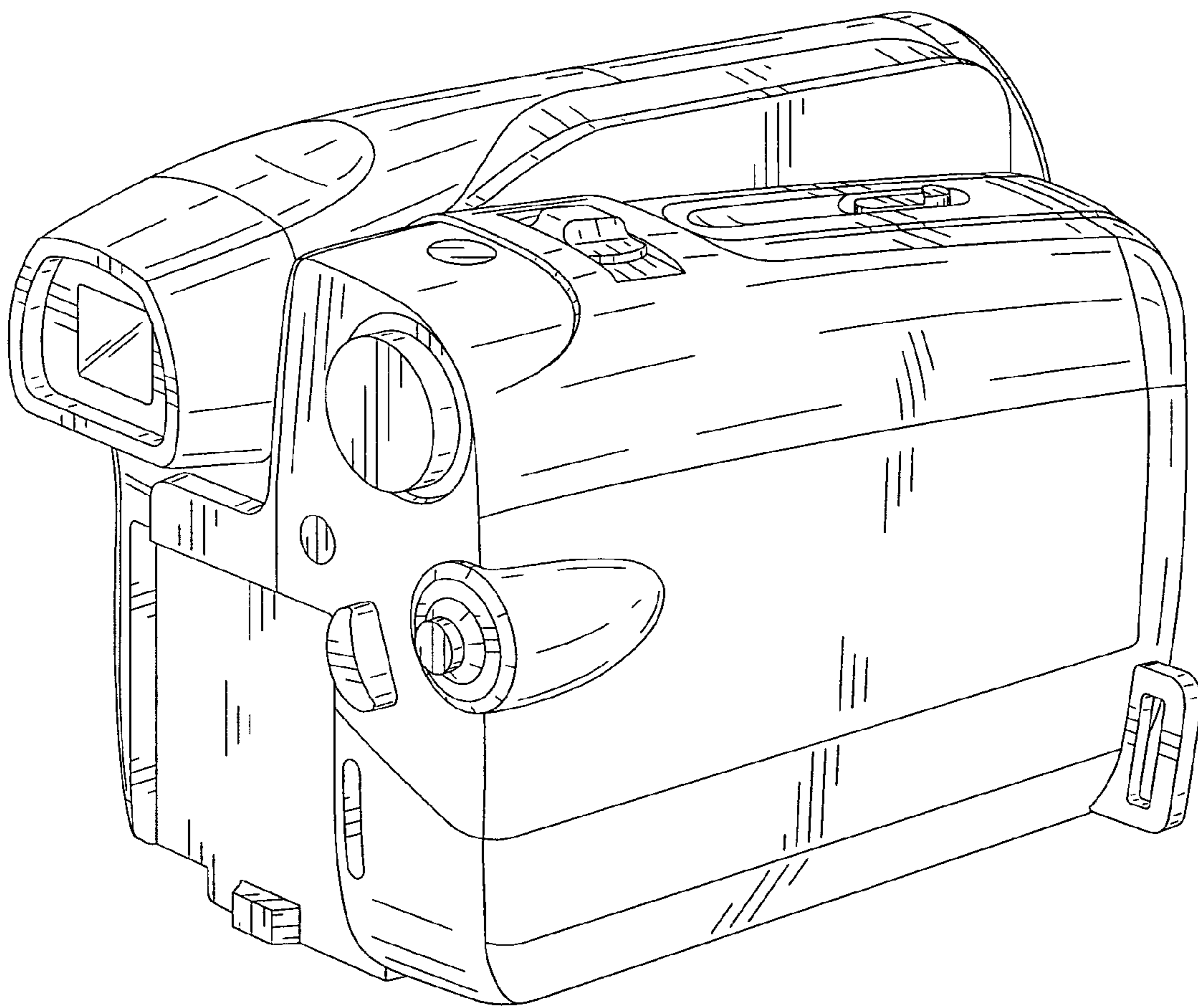


FIG.3

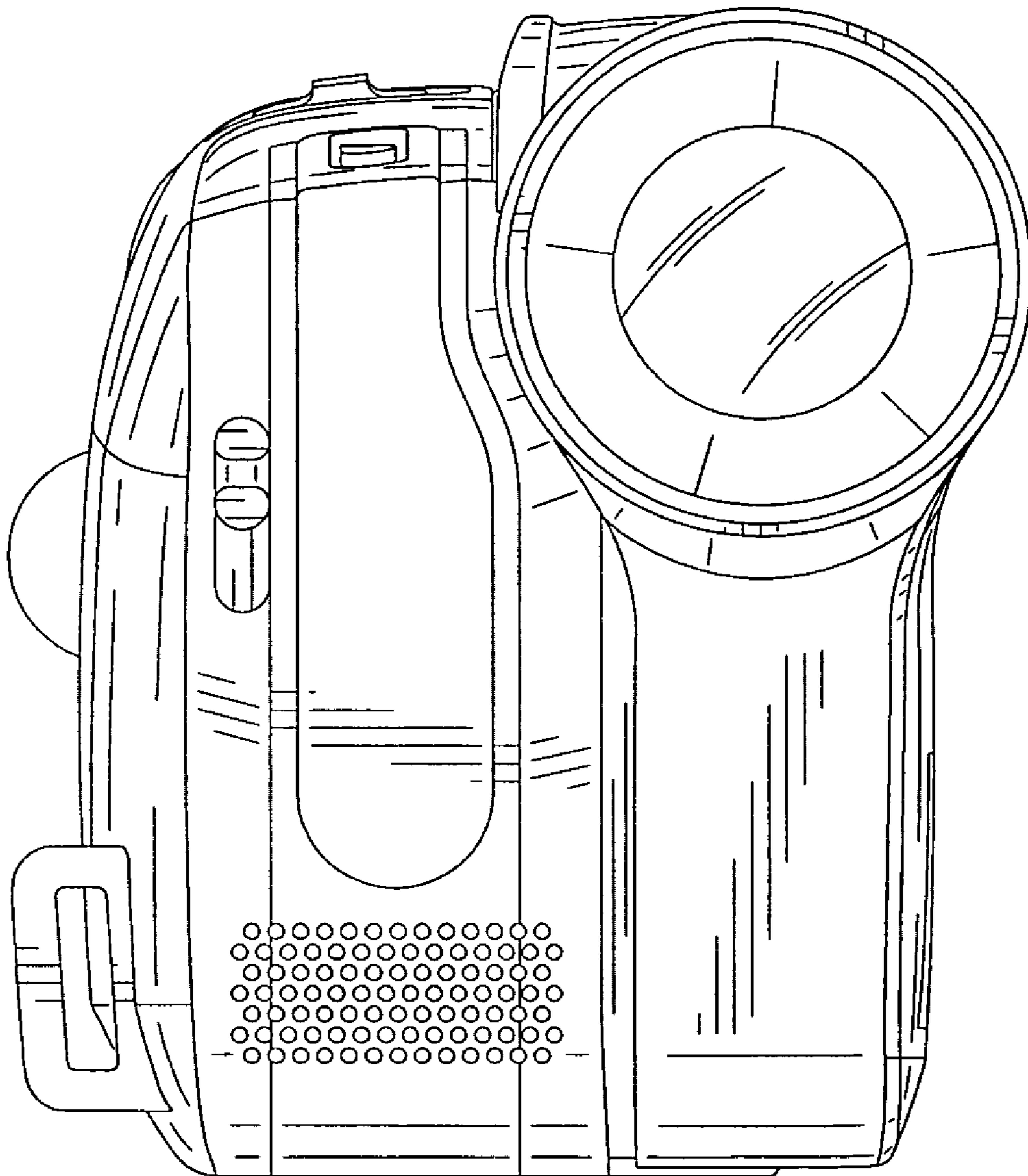


FIG.4

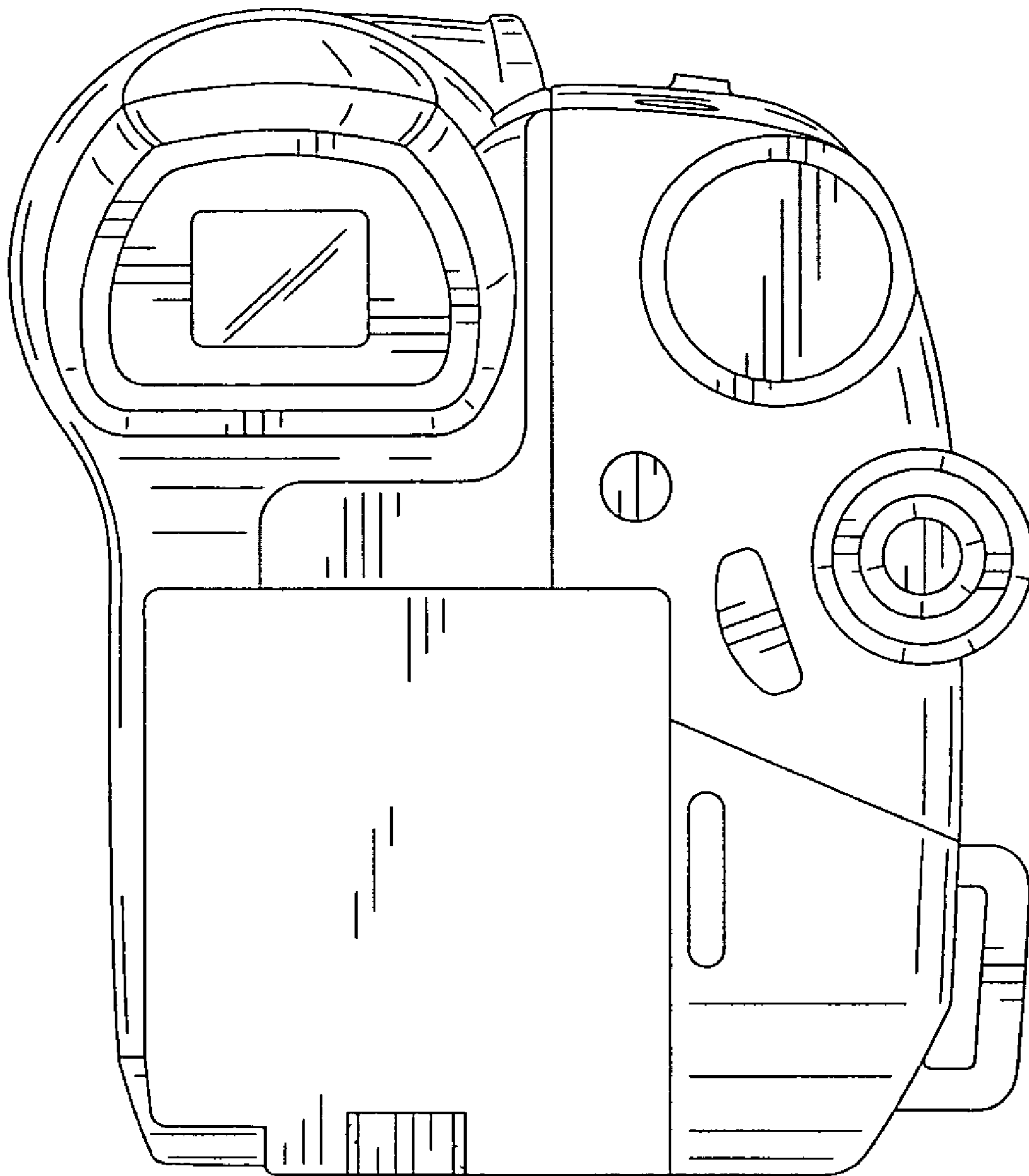


FIG.5

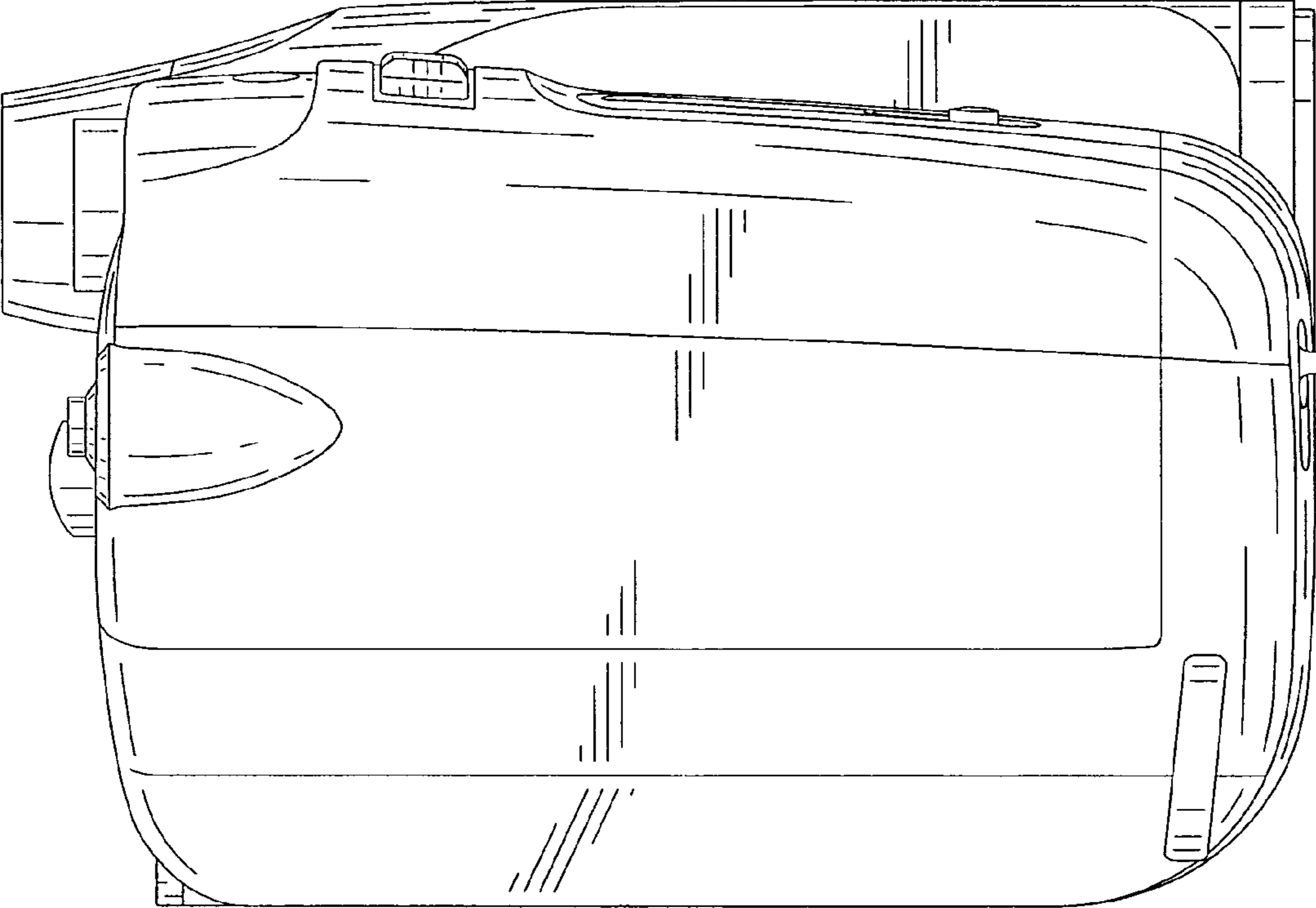


FIG.6

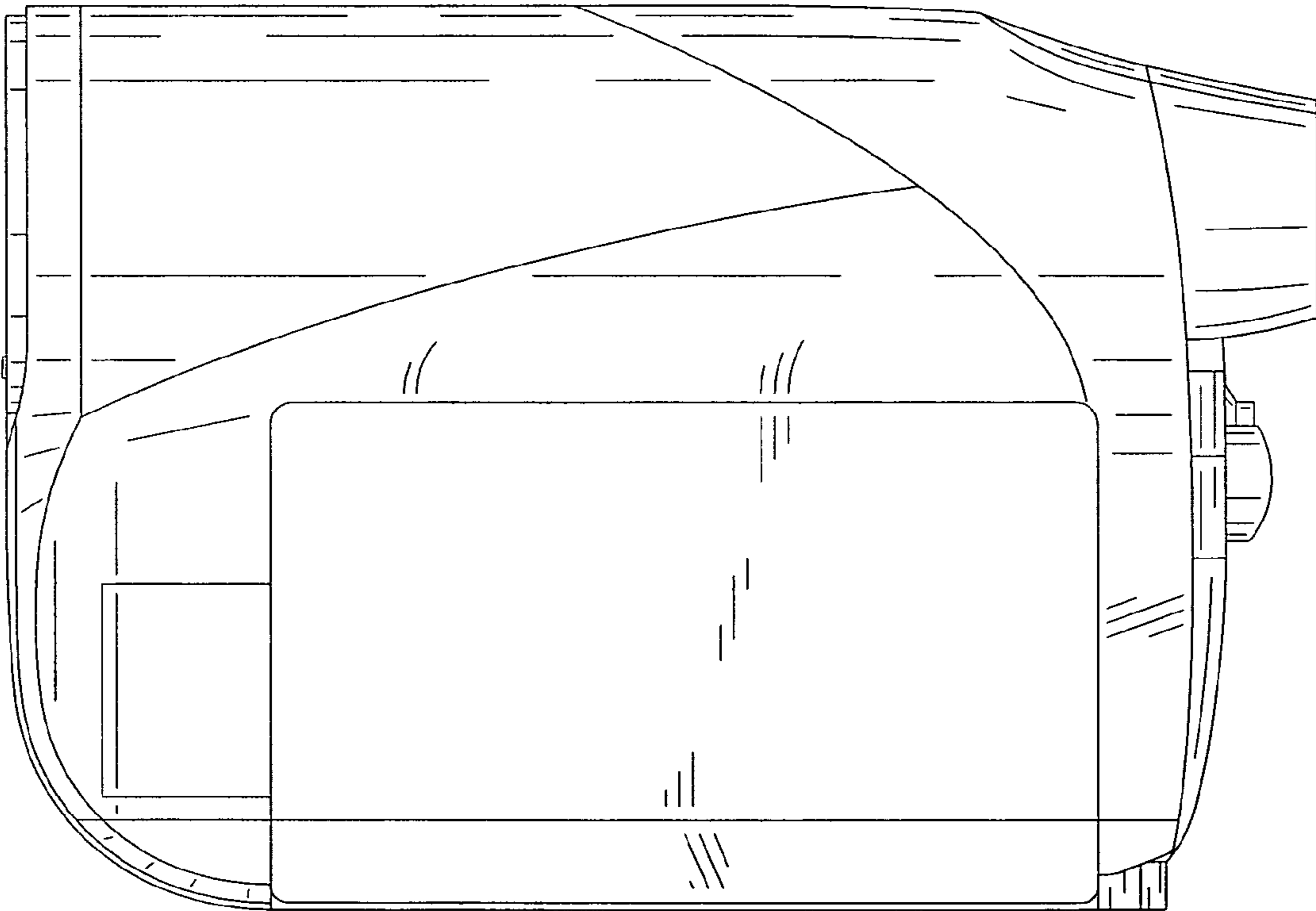


FIG.7

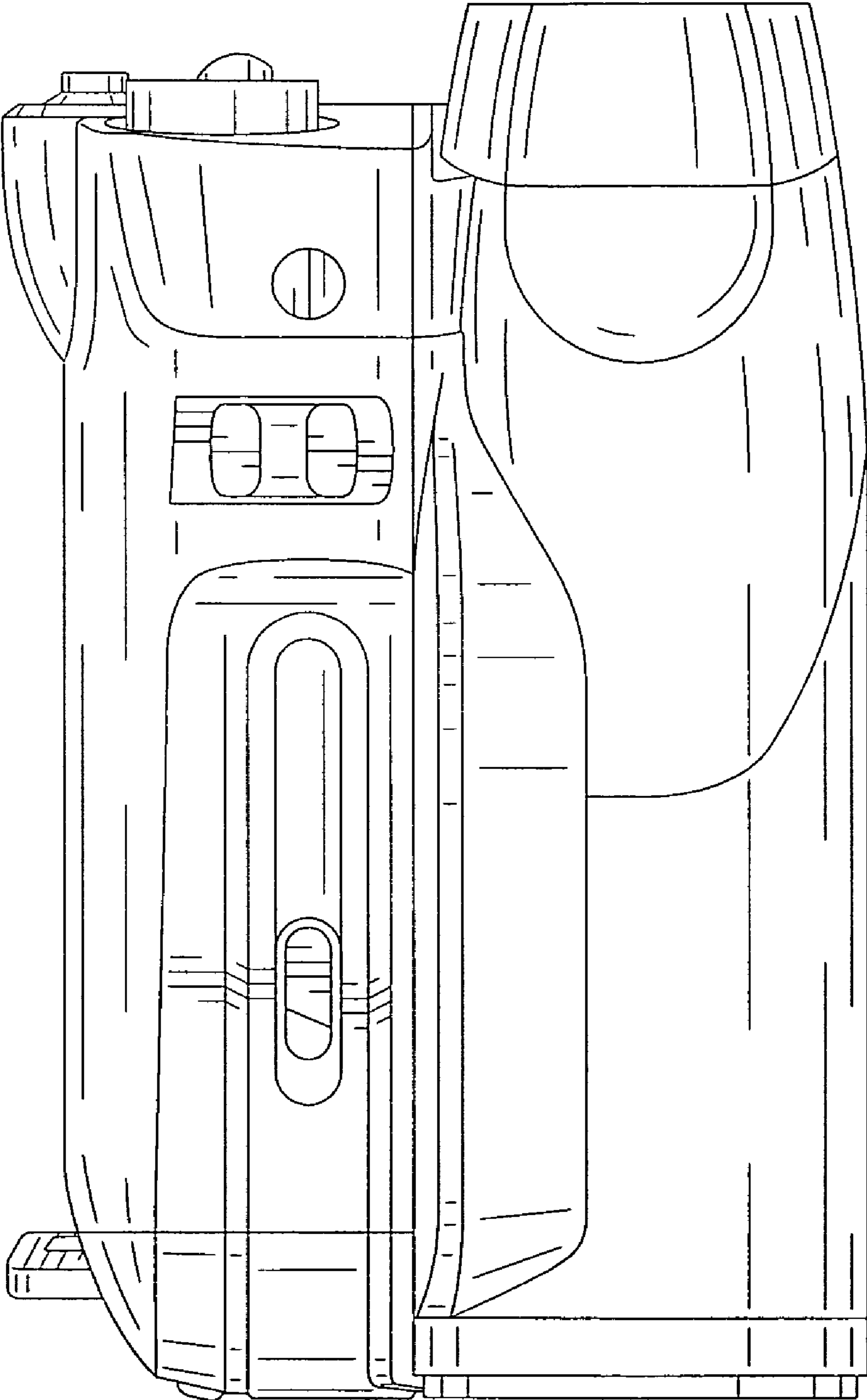




FIG.8

