



US00D590857S

(12) **United States Design Patent**
Fujii

(10) **Patent No.:** **US D590,857 S**

(45) **Date of Patent:** **** Apr. 21, 2009**

(54) **BINOCULARS**

(75) Inventor: **Akio Fujii**, Tokyo (JP)

(73) Assignee: **Hoya Corporation**, Tokyo (JP)

(**) Term: **14 Years**

(21) Appl. No.: **29/318,779**

(22) Filed: **May 28, 2008**

(30) **Foreign Application Priority Data**

Dec. 11, 2007 (JP) 2007-033900

(51) **LOC (9) Cl.** **16-06**

(52) **U.S. Cl.** **D16/133**

(58) **Field of Classification Search** D16/130,
D16/132, 133; 359/399, 407, 408, 409, 410,
359/411, 412, 413, 414, 415, 416, 417, 418,
359/419, 420, 422, 425, 429, 804, 809, 816,
359/835, 831; D21/483, 579

See application file for complete search history.

(56) **References Cited**

U.S. PATENT DOCUMENTS

D195,146 S *	4/1963	Jensen	D16/133
3,484,149 A *	12/1969	Becker et al.	359/414
D223,298 S *	4/1972	Senda et al.	D16/133
D359,972 S *	7/1995	Takahashi	D16/133
D412,177 S *	7/1999	Fujii	D16/133
D470,160 S *	2/2003	Meinzer	D16/133
D486,507 S *	2/2004	Fujii	D16/133
D492,335 S	6/2004	Watanabe		

D492,711 S *	7/2004	Watanabe	D16/133
D503,730 S *	4/2005	Hamamura	D16/133
D523,885 S *	6/2006	Hayashi	D16/133
D551,272 S *	9/2007	Fujii	D16/133
D567,275 S *	4/2008	Hayamizu	D16/133
D575,315 S *	8/2008	Inaba	D16/133

OTHER PUBLICATIONS

Ren Feng, Viewway 2006 General Catalog VBWR 10-0842/1042, 2006.

* cited by examiner

Primary Examiner—Paula Greene

(74) *Attorney, Agent, or Firm*—Sughrue Mion, PLLC

(57) **CLAIM**

The ornamental design for binoculars, as shown and described.

DESCRIPTION

FIG. 1 is a top perspective view of the binoculars of the present invention;

FIG. 2 is a bottom perspective view thereof;

FIG. 3 is a first end view thereof;

FIG. 4 is a second end view thereof;

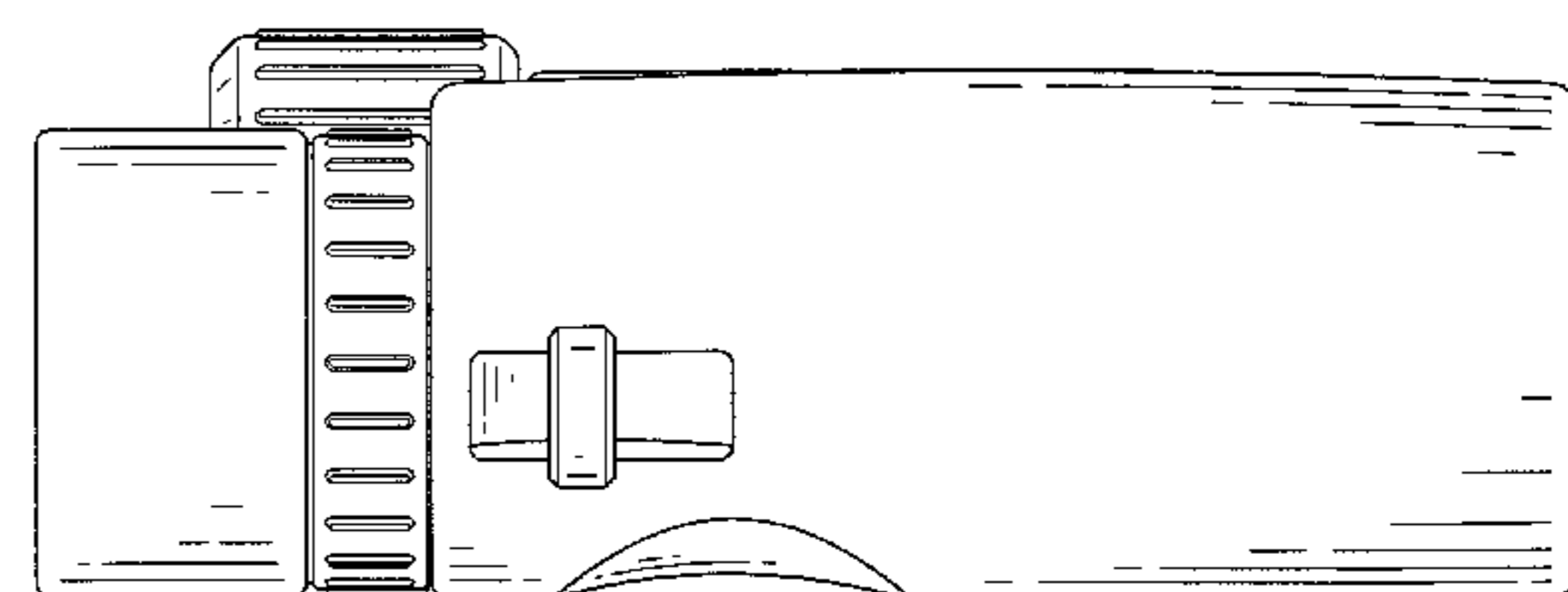
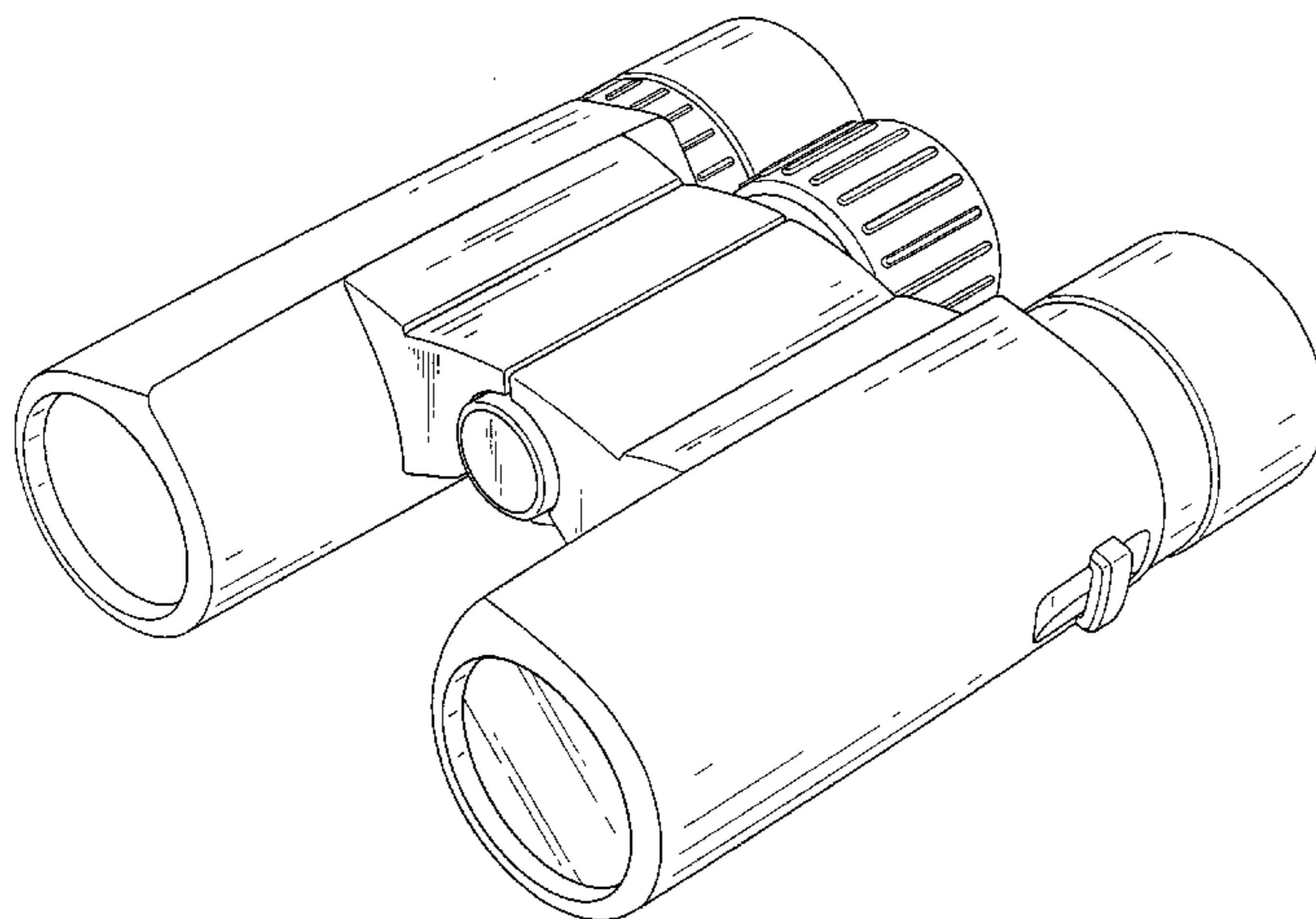
FIG. 5 is a first side view thereof;

FIG. 6 is a second side view thereof;

FIG. 7 is a top view thereof; and,

FIG. 8 is a bottom view thereof.

1 Claim, 6 Drawing Sheets



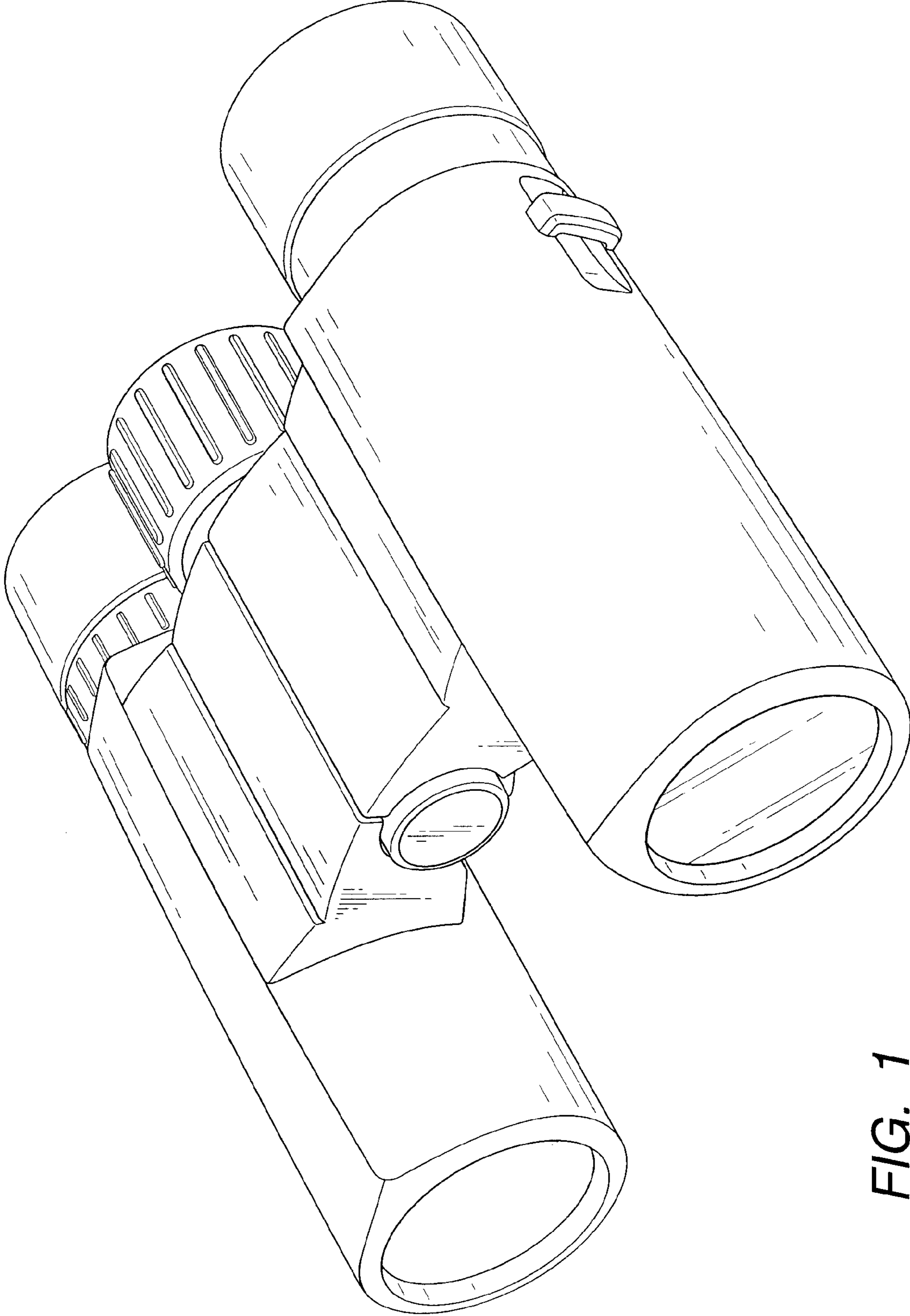


FIG. 1

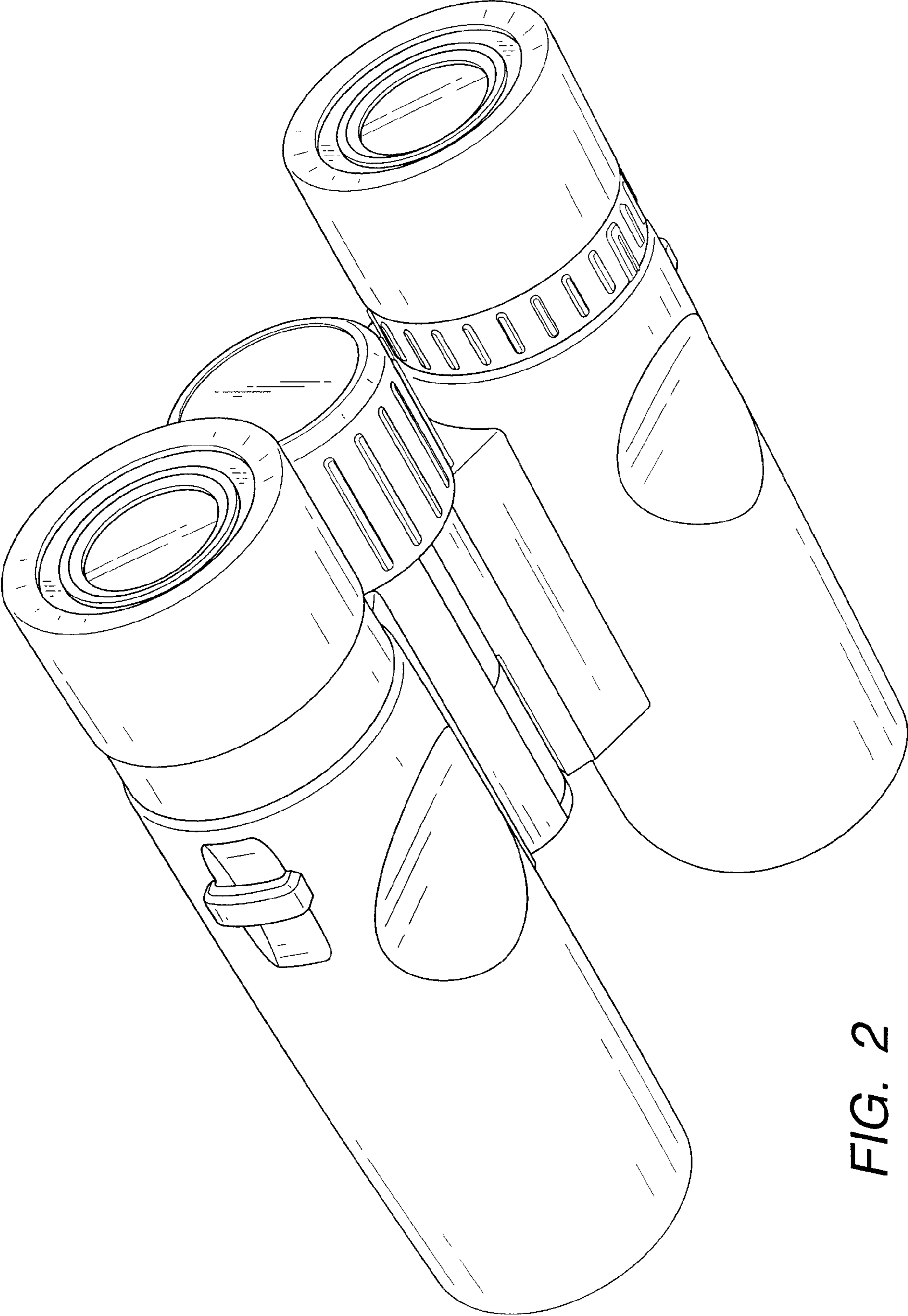


FIG. 2

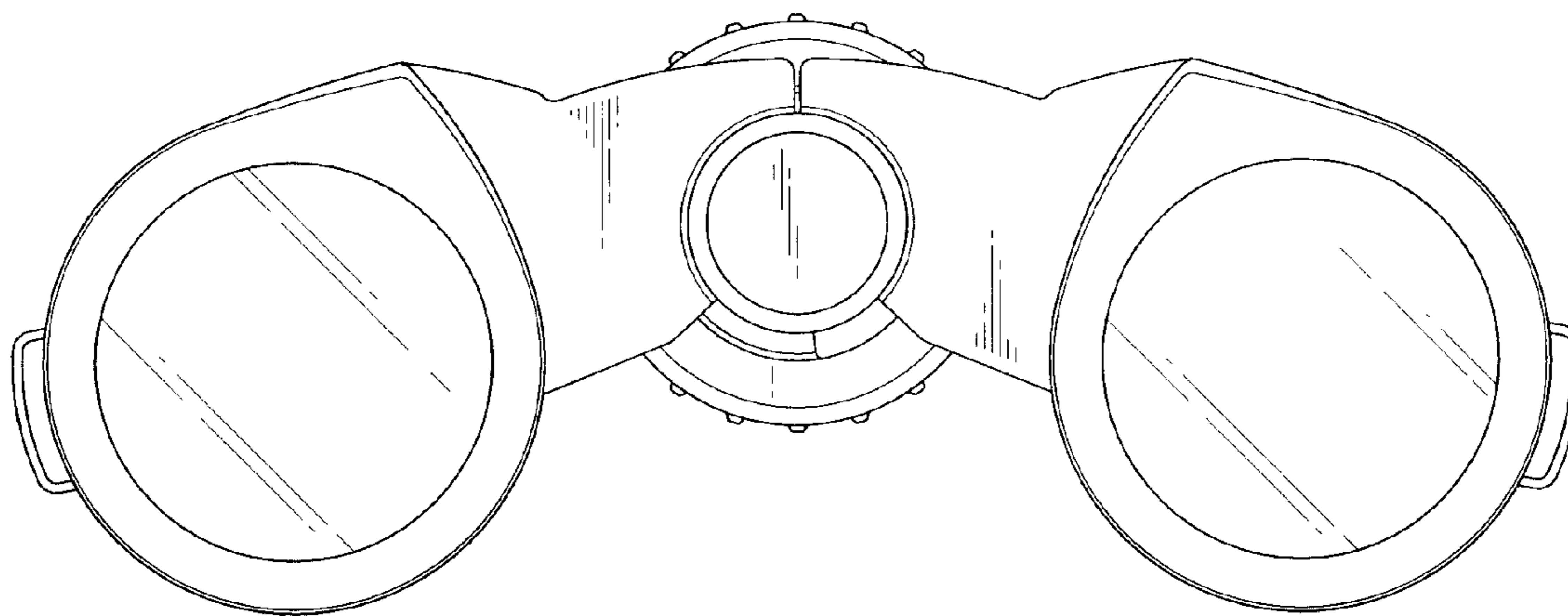


FIG. 3

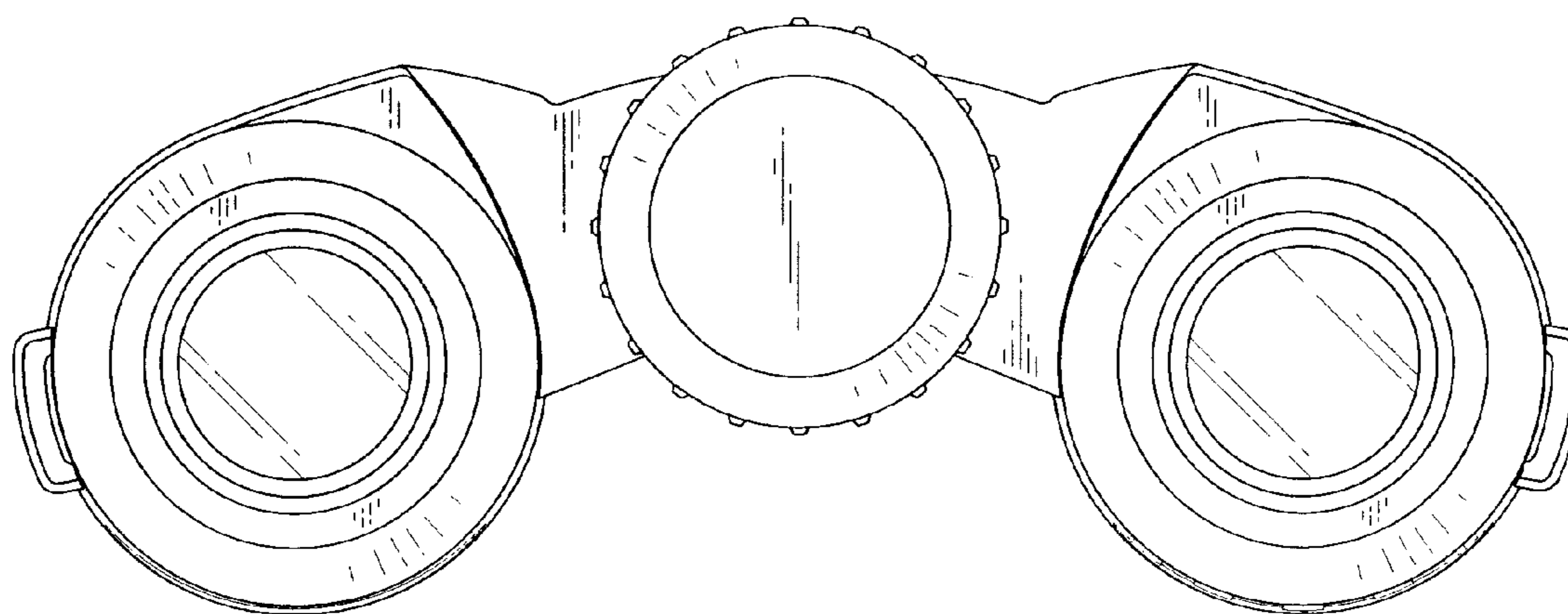


FIG. 4

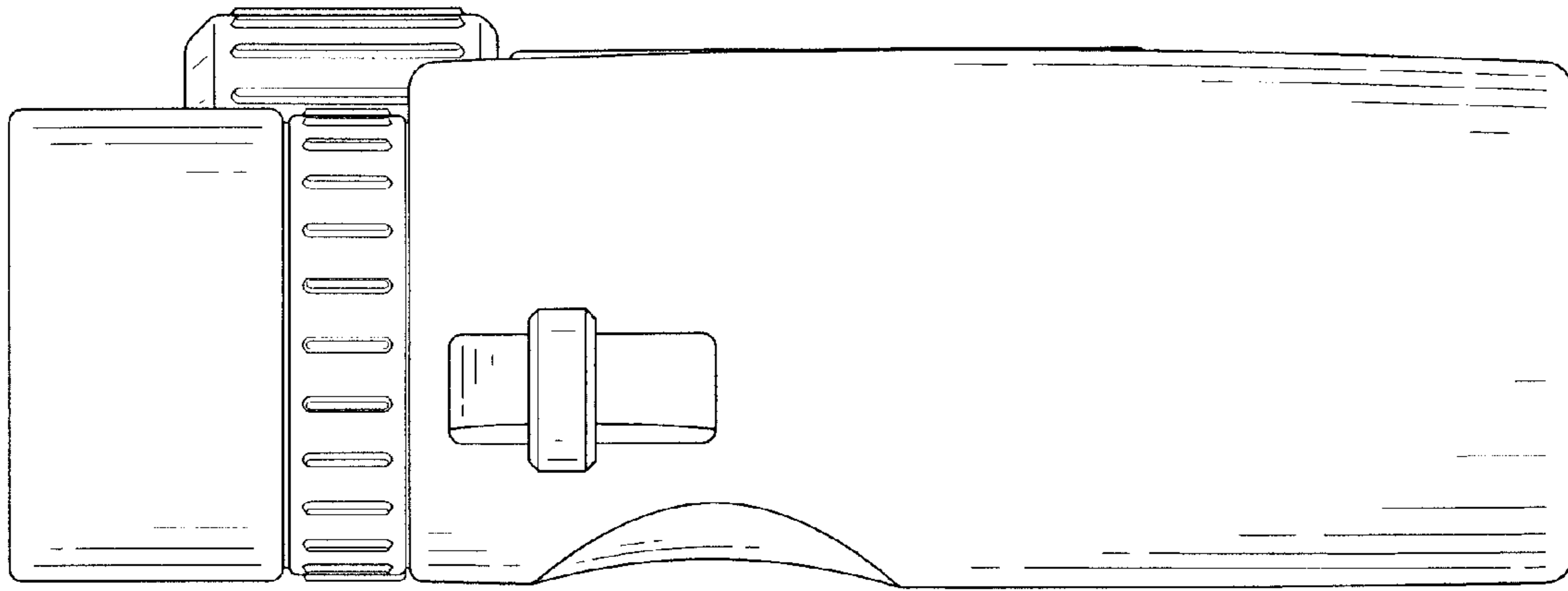


FIG. 5

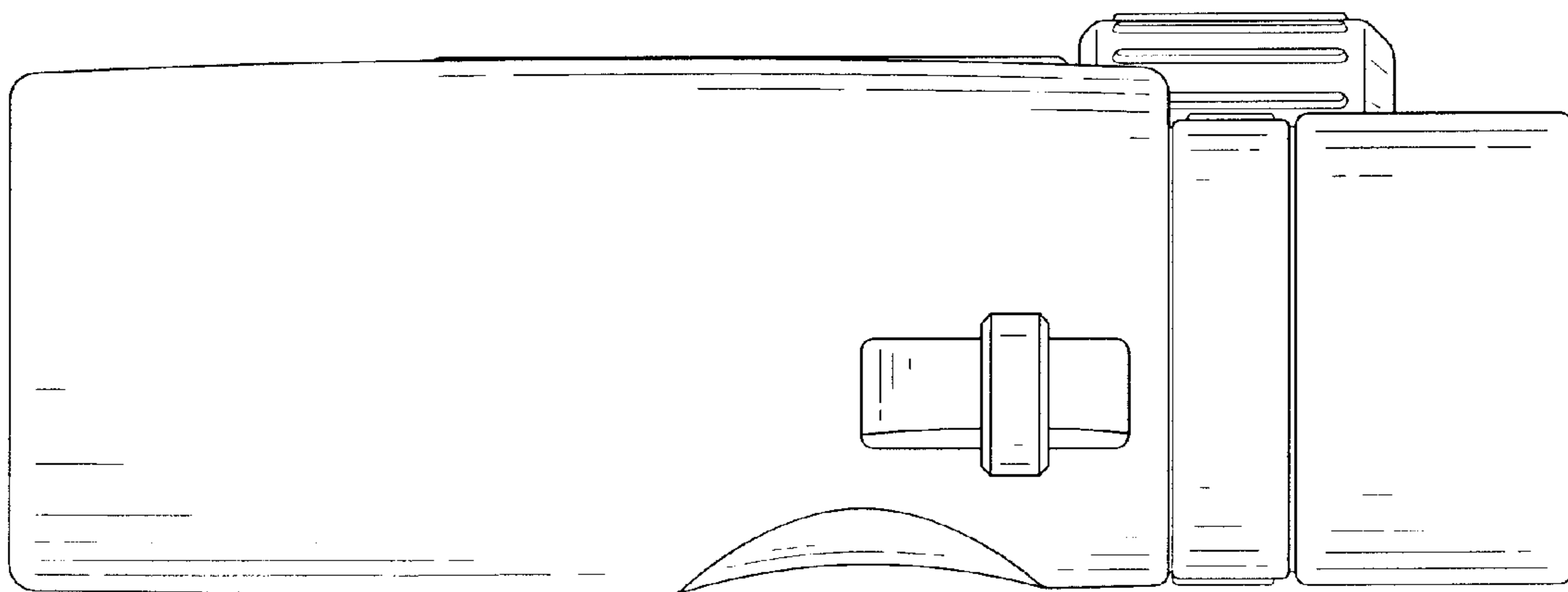


FIG. 6

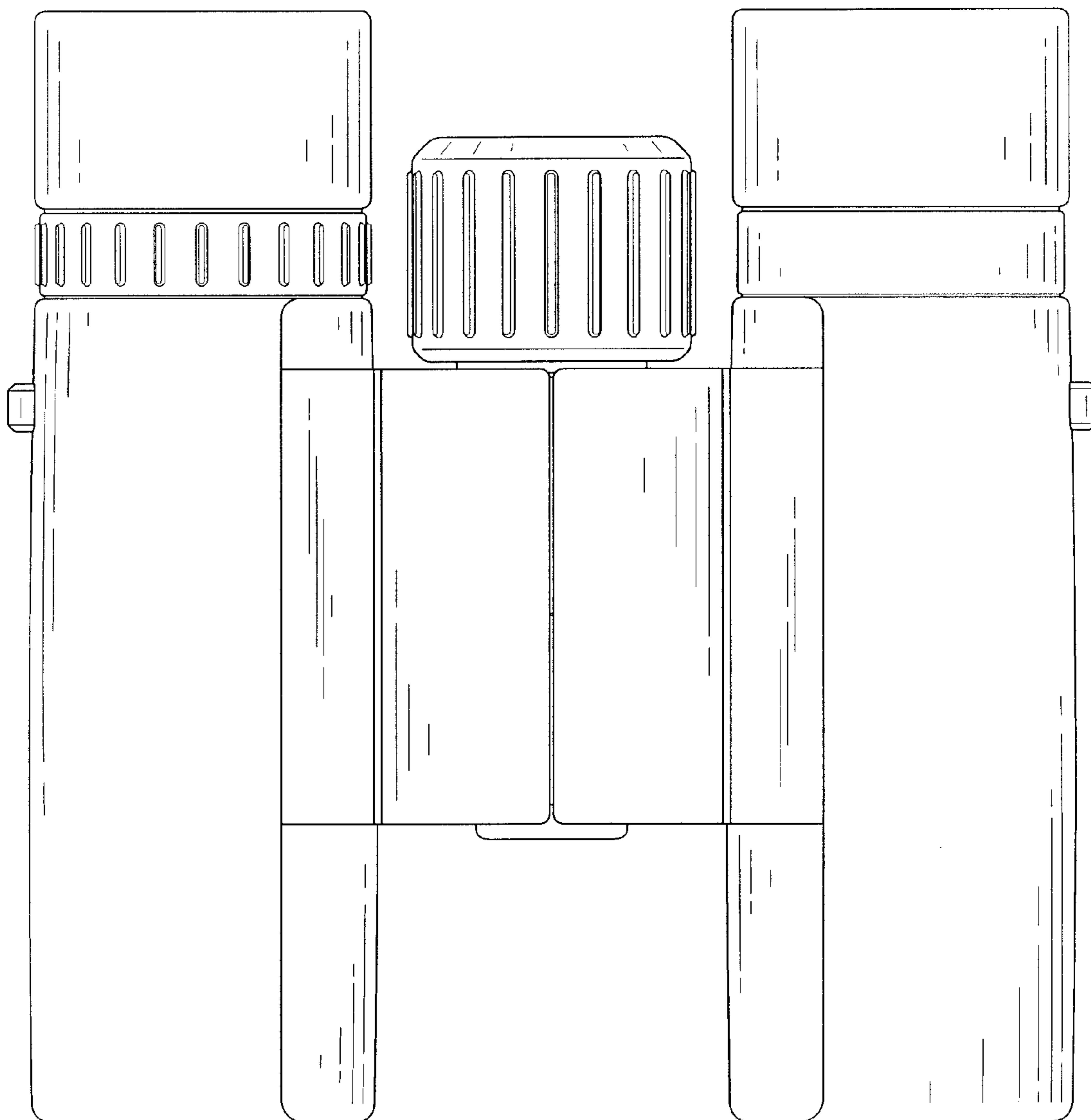


FIG. 7

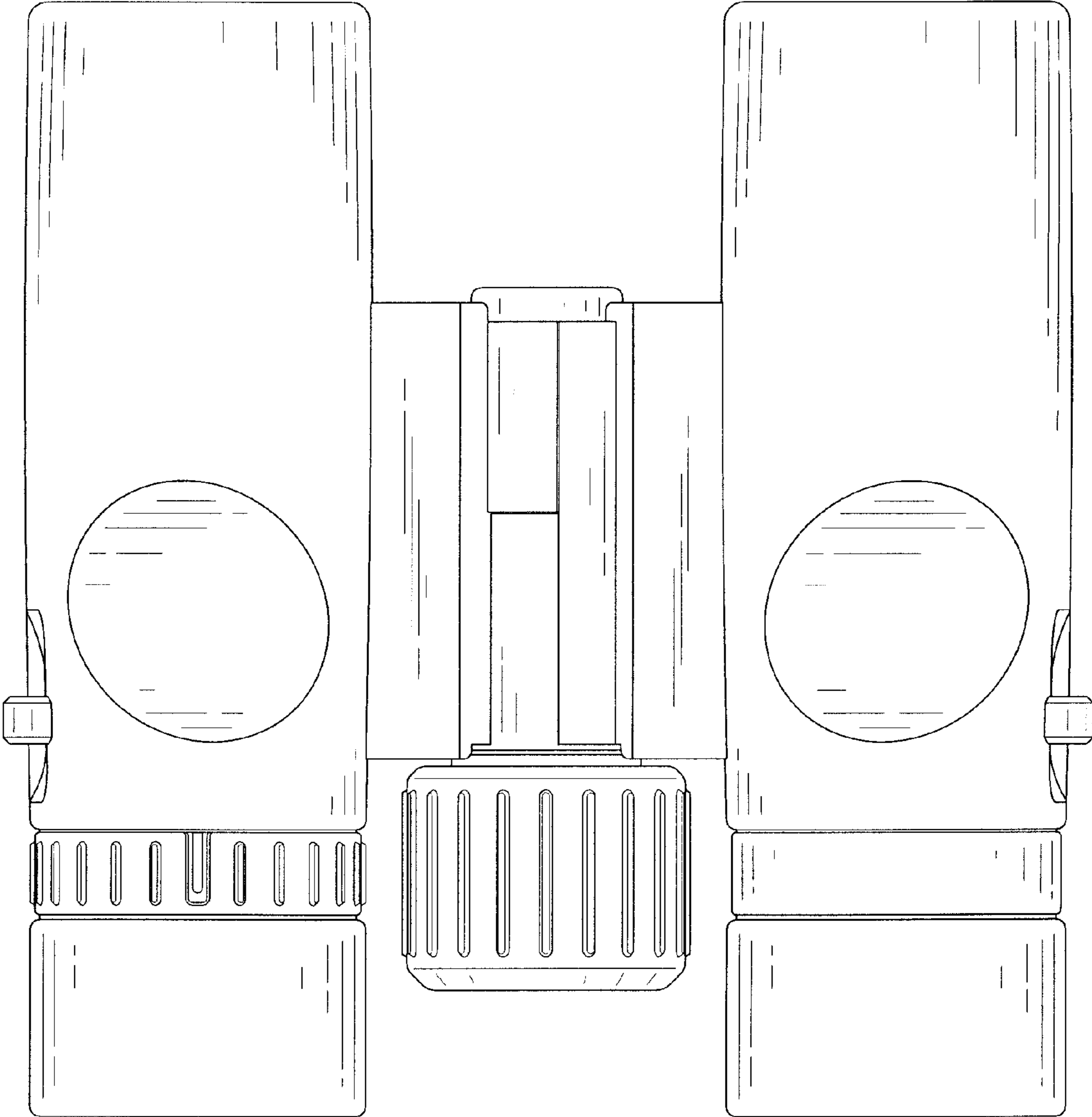


FIG. 8