

US00D590856S

(12) **United States Design Patent**  
**Hayamizu**

(10) **Patent No.:** **US D590,856 S**  
(45) **Date of Patent:** **\*\* Apr. 21, 2009**

(54) **BINOCULARS**

(75) Inventor: **Eiji Hayamizu**, Tokyo (JP)

(73) Assignee: **Hoya Corporation**, Tokyo (JP)

(\*\*) Term: **14 Years**

(21) Appl. No.: **29/318,776**

(22) Filed: **May 28, 2008**

(30) **Foreign Application Priority Data**

Dec. 11, 2007 (JP) ..... 2007-033899

(51) **LOC (9) Cl.** ..... **16-06**

(52) **U.S. Cl.** ..... **D16/133**

(58) **Field of Classification Search** ..... D16/130,  
D16/132, 133; 359/399, 407, 408, 409, 410,  
359/411, 412, 413, 414, 415, 416, 417, 418,  
359/419, 420, 422, 425, 429, 804, 809, 816,  
359/480, 835, 831; D21/483, 579

See application file for complete search history.

(56) **References Cited**

**U.S. PATENT DOCUMENTS**

4,080,043 A \* 3/1978 Altenheiner et al. .... 359/416  
4,087,153 A \* 5/1978 Hengst ..... 359/416  
D256,024 S \* 7/1980 Noda et al. .... D16/133  
4,306,764 A \* 12/1981 Kikuchi ..... 359/414  
5,231,535 A \* 7/1993 Peters et al. .... 359/414  
D346,175 S \* 4/1994 Chan ..... D16/133  
D387,077 S \* 12/1997 Lee ..... D16/133

D392,986 S \* 3/1998 Katou ..... D16/133  
D395,055 S \* 6/1998 Lee ..... D16/133  
D412,921 S 8/1999 Hayamizu  
D447,160 S \* 8/2001 Kishigami et al. .... D16/133  
6,476,963 B1 \* 11/2002 Chen ..... 359/412  
D472,257 S \* 3/2003 Fujii ..... D16/133  
D519,538 S 4/2006 Hayamizu

**FOREIGN PATENT DOCUMENTS**

JP 729624 D 4/1988

\* cited by examiner

*Primary Examiner*—Paula Greene

(74) *Attorney, Agent, or Firm*—Sughrue Mion, PLLC

(57) **CLAIM**

The ornamental design for binoculars, as shown and described.

**DESCRIPTION**

FIG. 1 is a top perspective view of the binoculars of the present invention;

FIG. 2 is a bottom perspective view thereof;

FIG. 3 is a first end view thereof;

FIG. 4 is a second end view thereof;

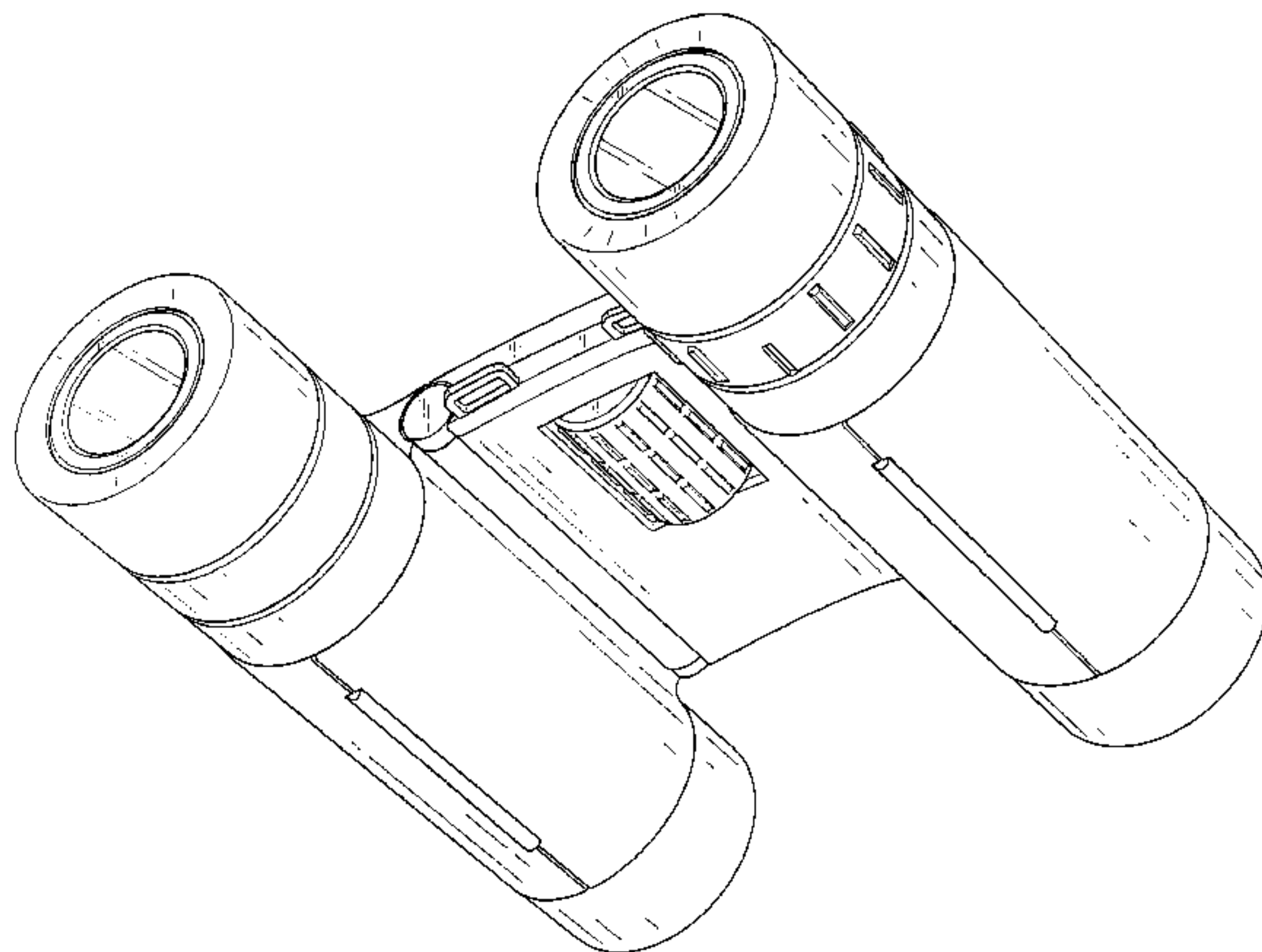
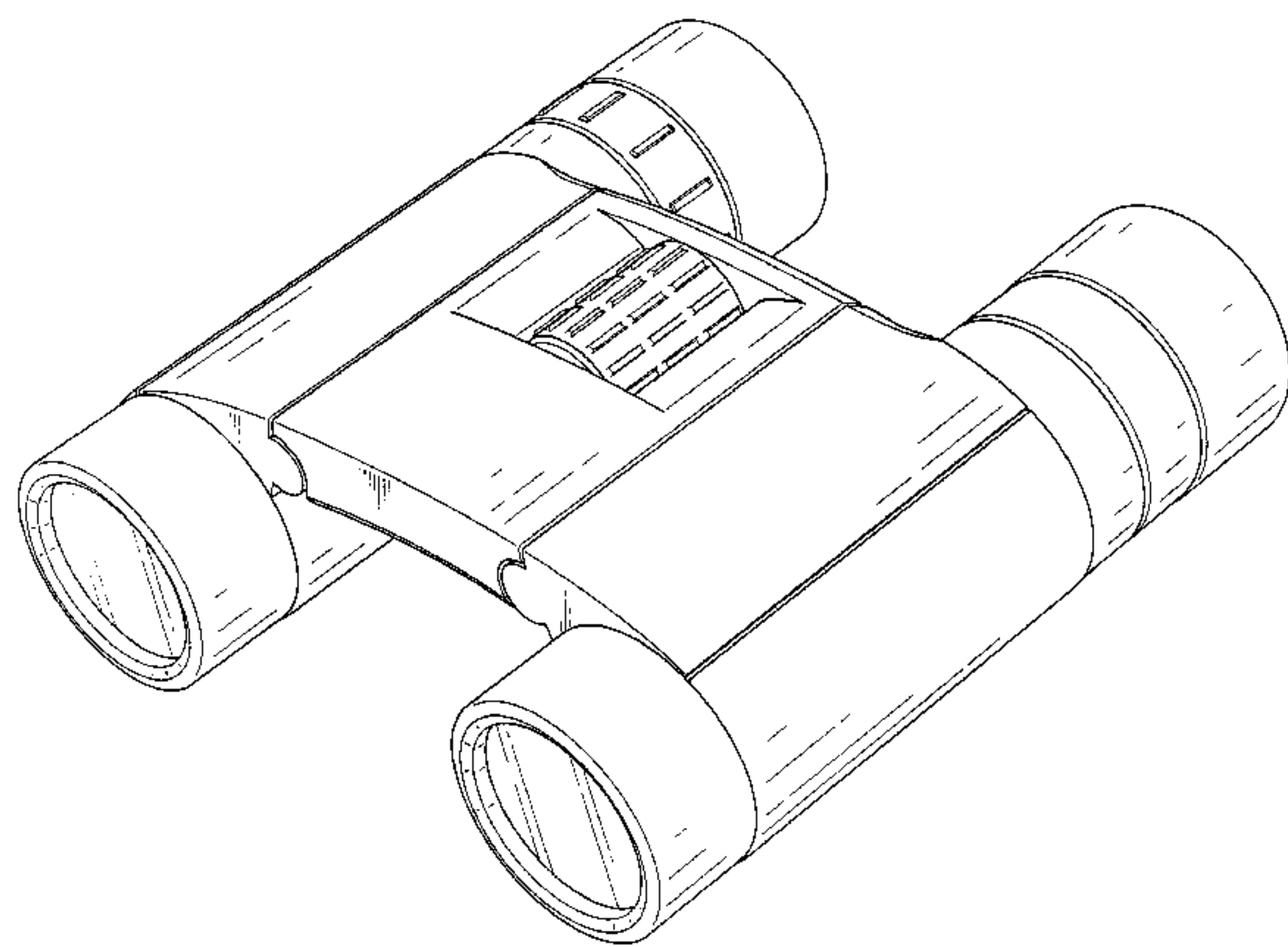
FIG. 5 is a first side view thereof;

FIG. 6 is a second side view thereof;

FIG. 7 is a top view thereof; and,

FIG. 8 is a bottom view thereof.

**1 Claim, 6 Drawing Sheets**



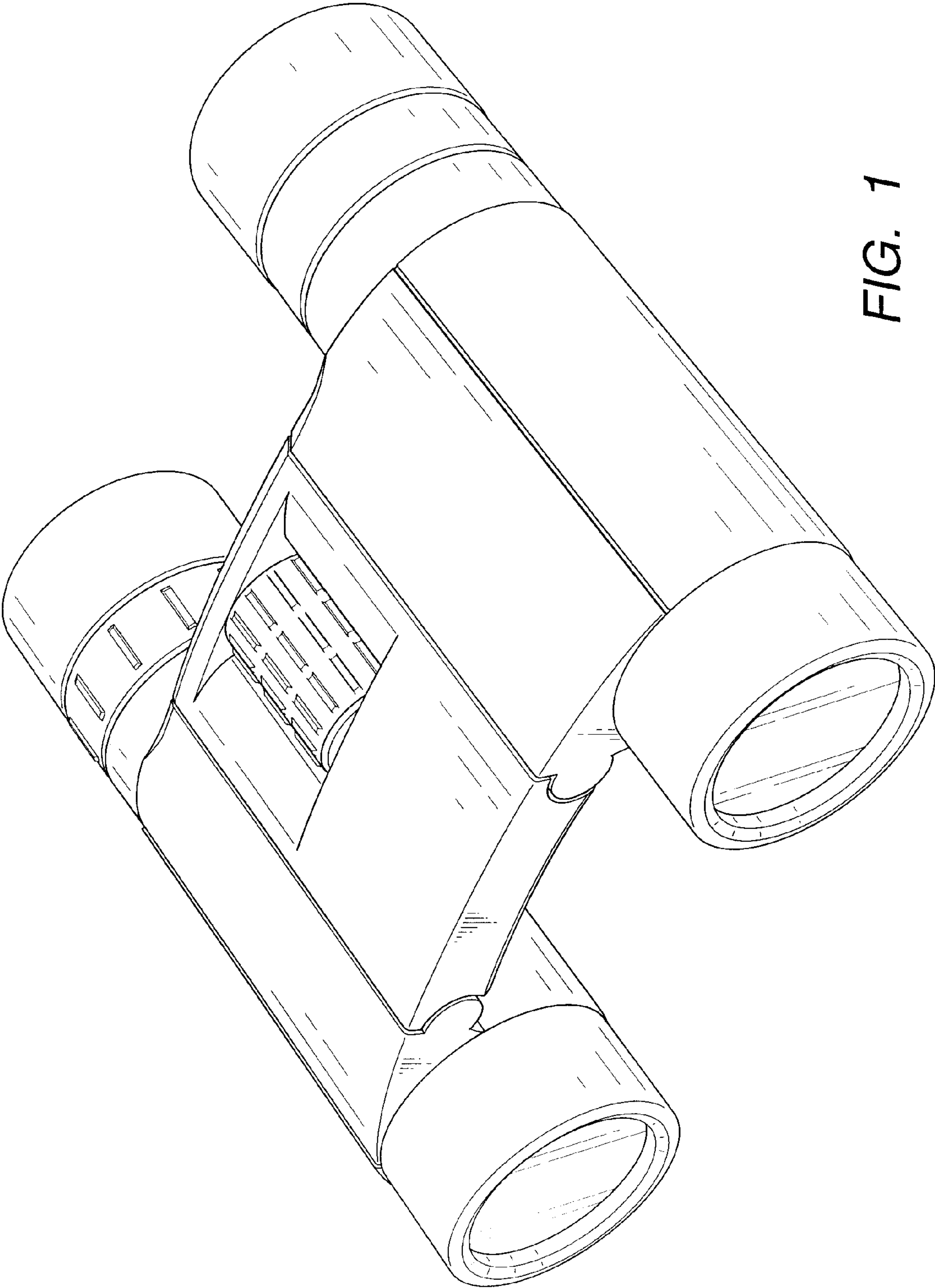


FIG. 1

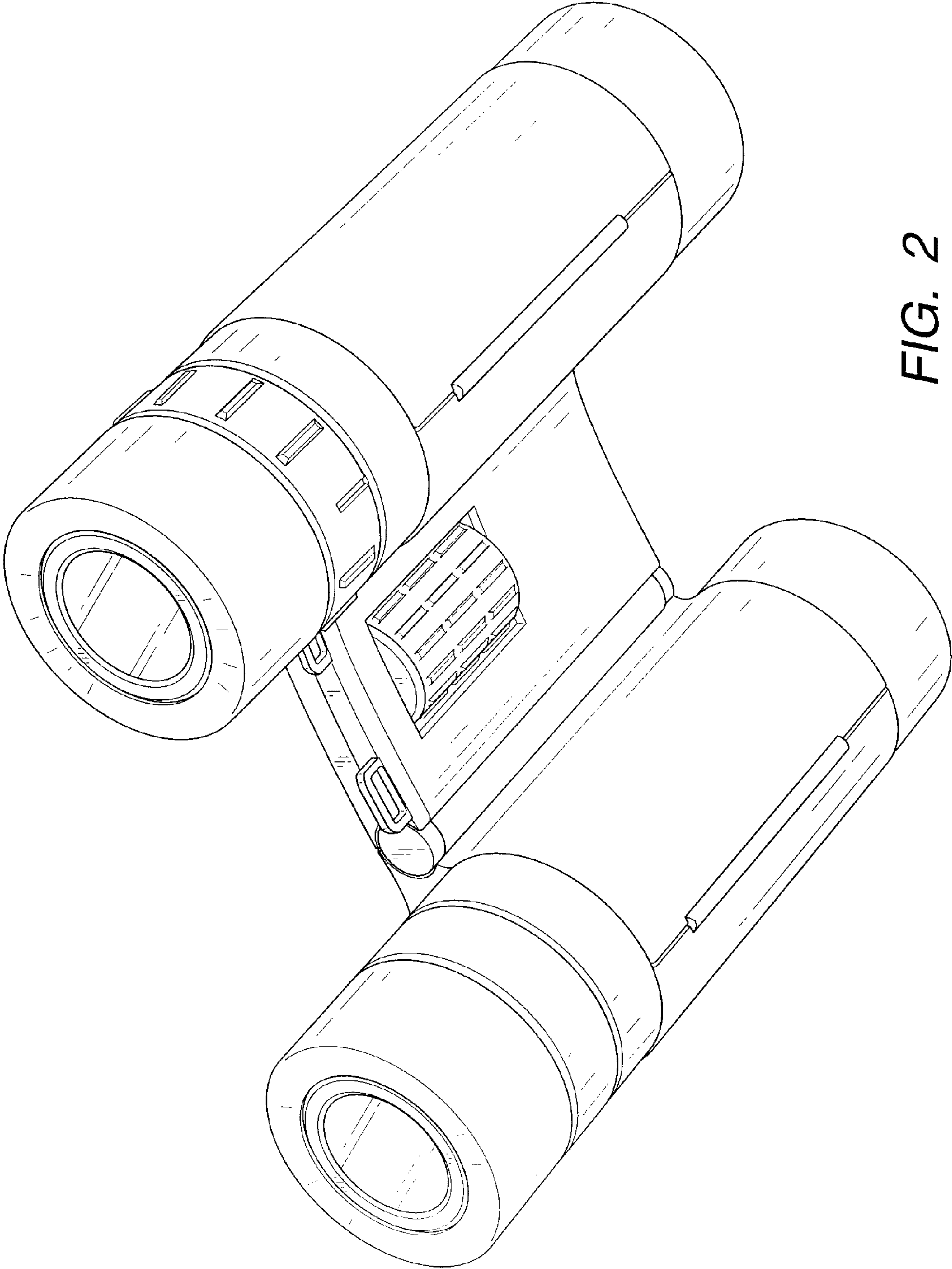
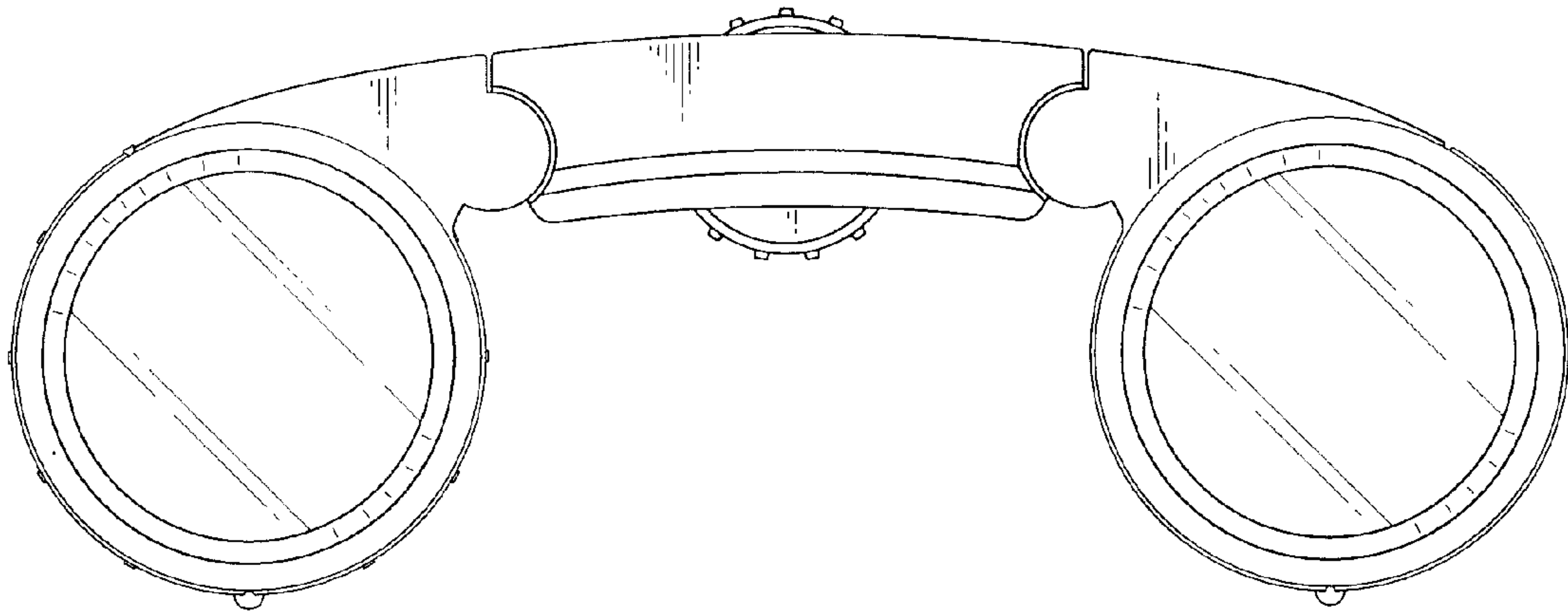
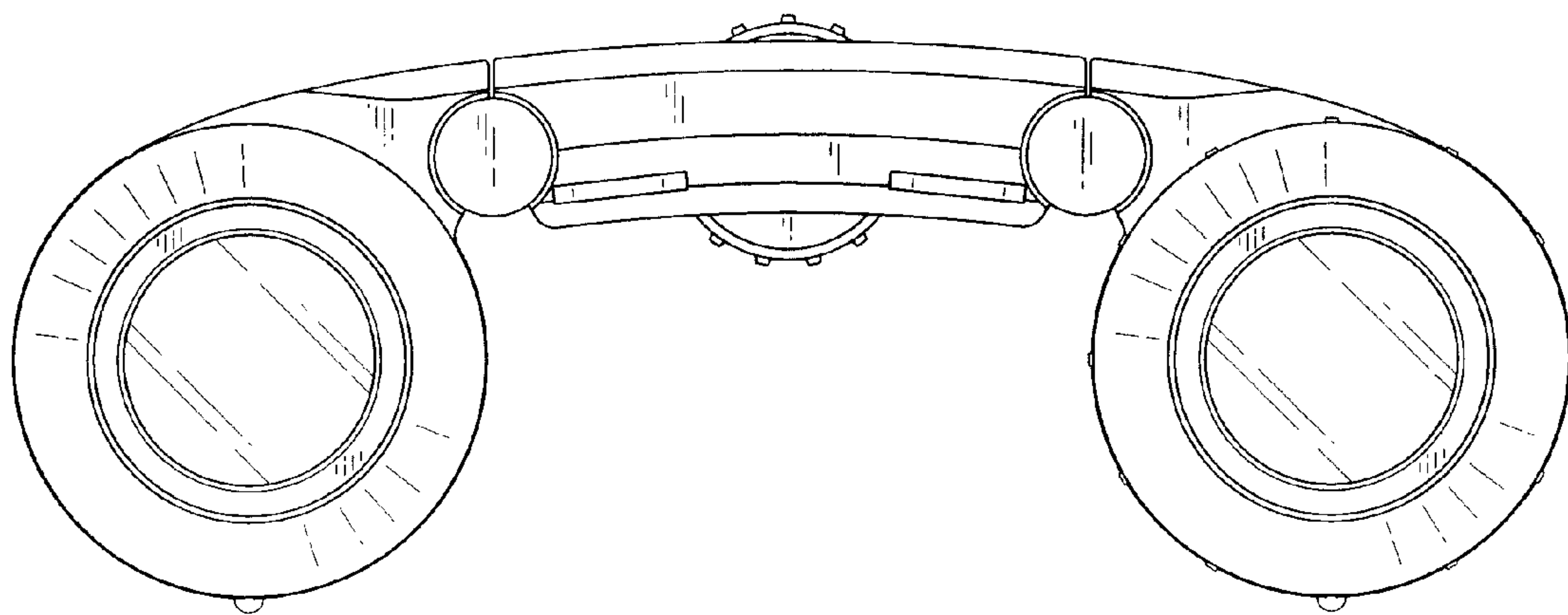


FIG. 2

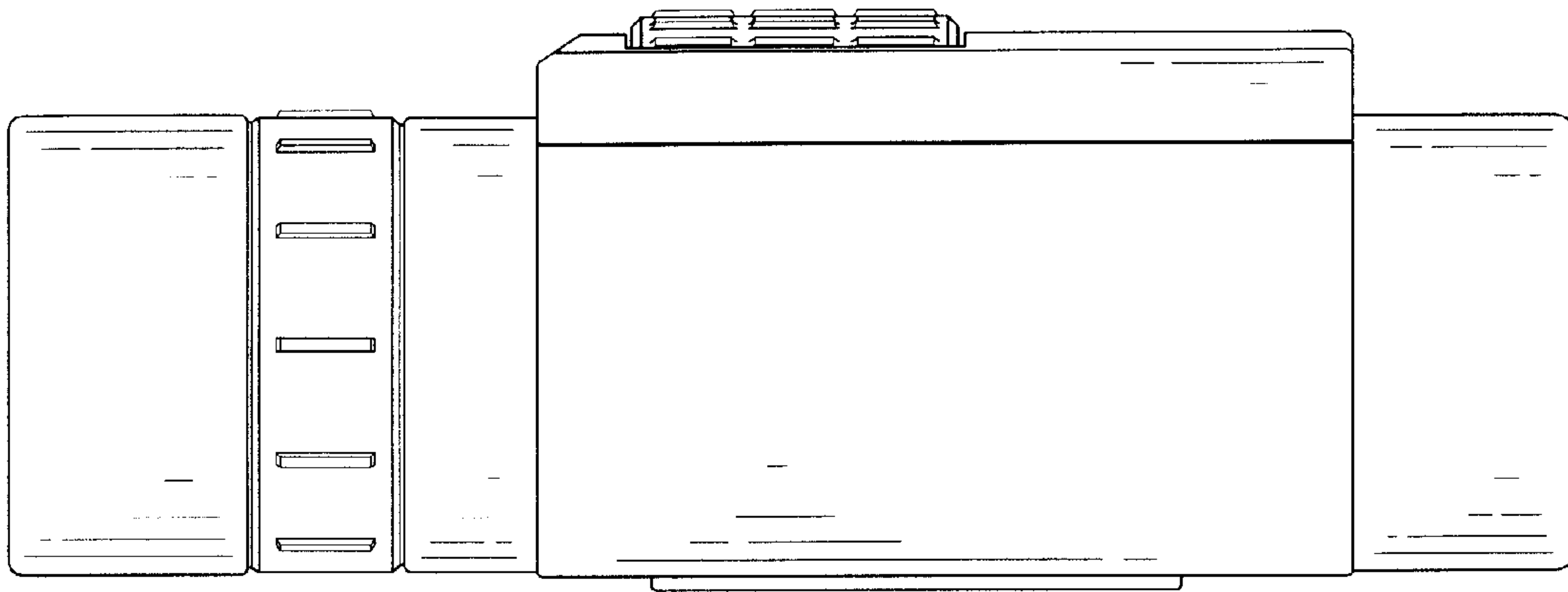




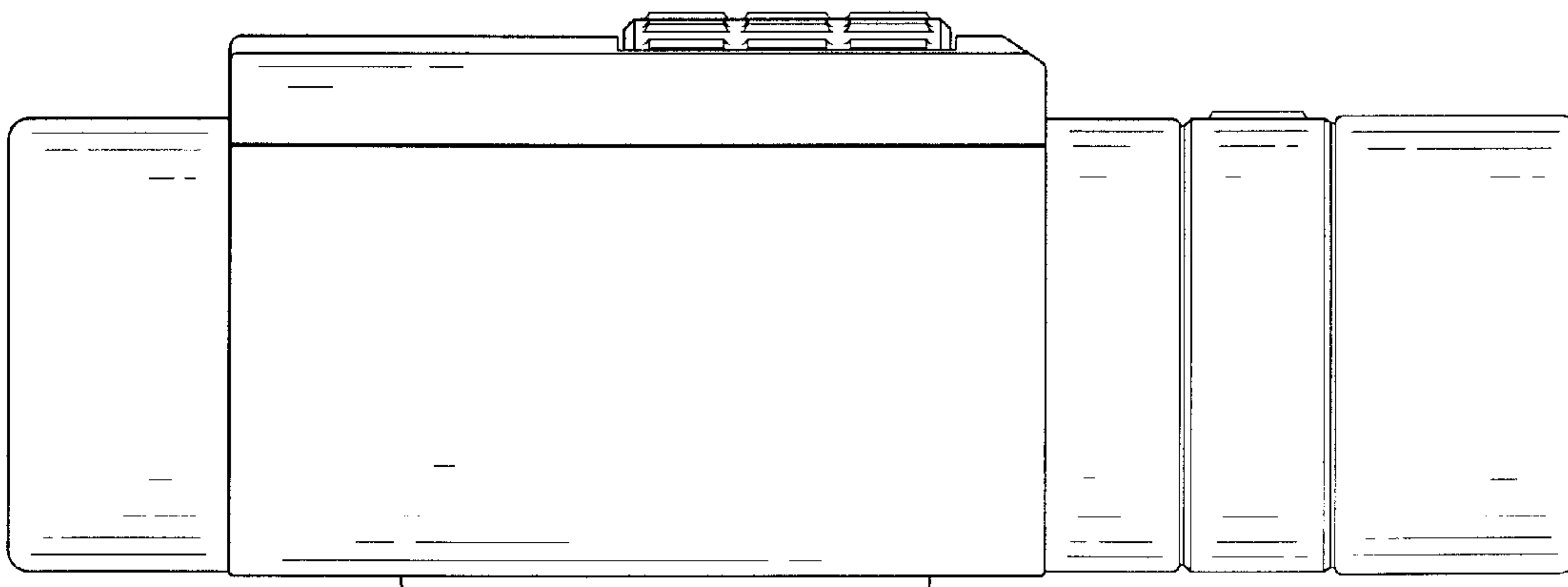
*FIG. 3*



*FIG. 4*



*FIG. 5*



*FIG. 6*

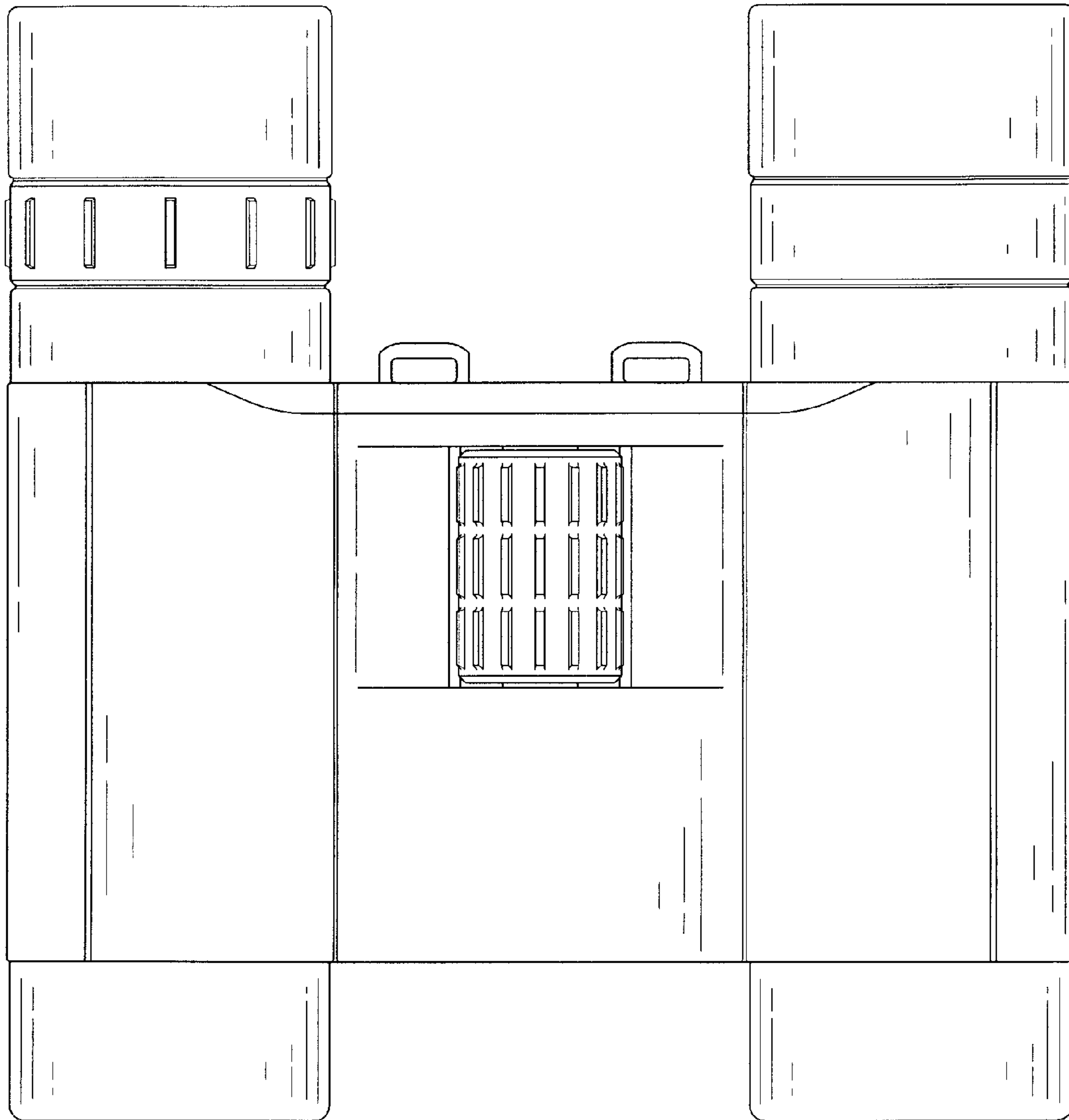


FIG. 7

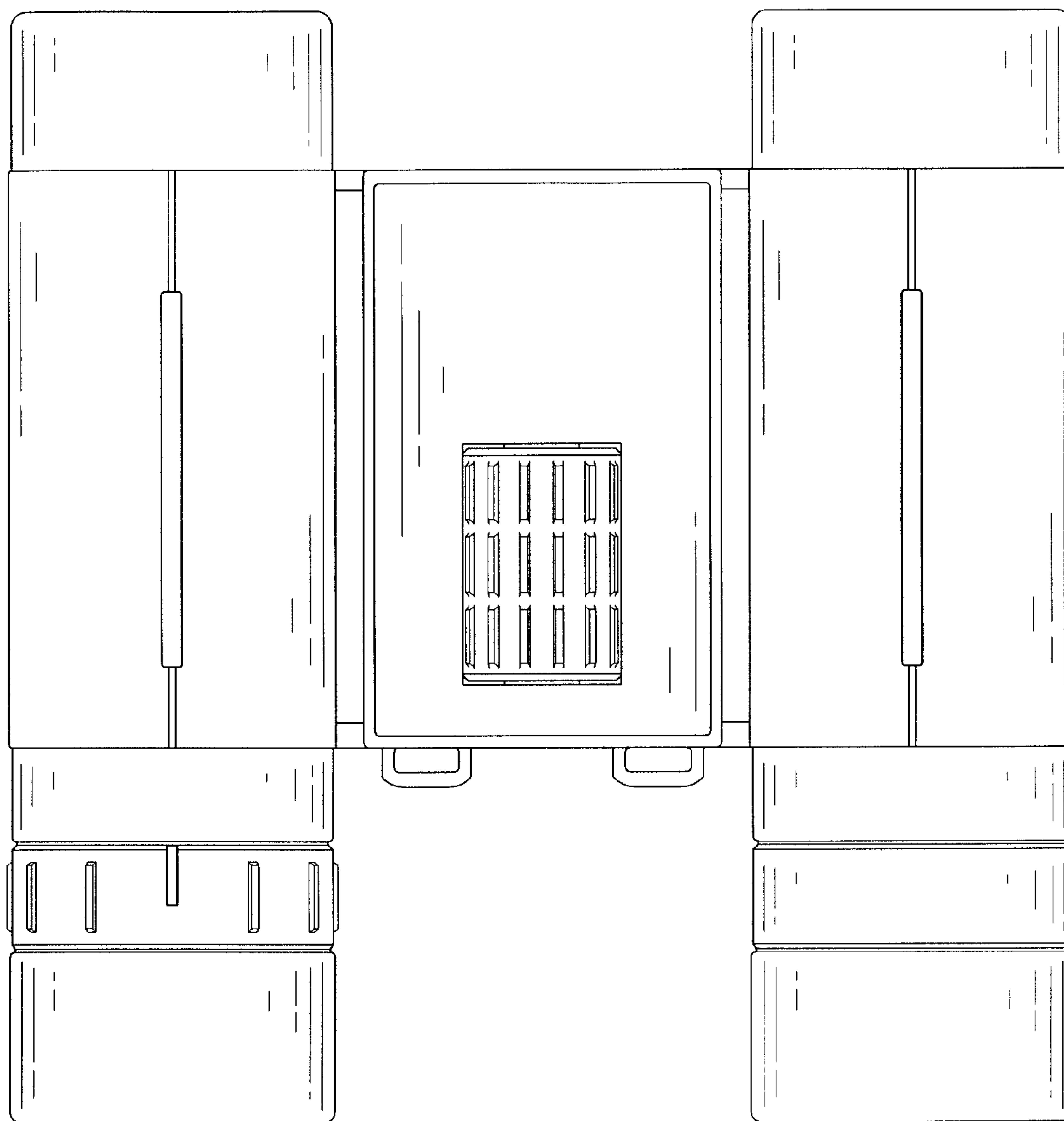


FIG. 8