



US00D590854S

(12) **United States Design Patent**
Ling et al.

(10) **Patent No.:** **US D590,854 S**

(45) **Date of Patent:** **** Apr. 21, 2009**

(54) **DEVICE FOR ACCESSING A RECESS OF A CARRIER TAPE**

(75) Inventors: **Shiow Shya Ling**, Singapore (SG); **Kam Poi Chia**, Singapore (SG); **Anthonius**, Singapore (SG)

(73) Assignee: **3M Innovative Properties Company**, St. Paul, MN (US)

(**) Term: **14 Years**

(21) Appl. No.: **29/299,309**

(22) Filed: **Dec. 21, 2007**

(30) **Foreign Application Priority Data**

Jul. 3, 2007 (MY) 07-00925-0101

(51) **LOC (9) Cl.** **15-99**

(52) **U.S. Cl.** **D15/199**

(58) **Field of Classification Search** D9/756, D9/759; D15/199; 53/410, 472; 206/713; 220/23.4, 23.83; 242/338.4; 257/688; 360/93, 360/96.51; 414/403, 810
See application file for complete search history.

(56) **References Cited**

U.S. PATENT DOCUMENTS

4,609,955 A * 9/1986 Sims, Jr. 360/93
5,809,639 A * 9/1998 Alvite 29/740
5,810,170 A * 9/1998 Alvite 206/714
6,000,523 A * 12/1999 Asai et al. 198/377.08
6,152,671 A * 11/2000 Kaishita et al. 414/403
D510,278 S * 10/2005 Mikami et al. D9/756

D510,279 S * 10/2005 Okouchi D9/756
D516,924 S * 3/2006 Mikami D9/756
2002/0189765 A1 * 12/2002 Bebensee et al. 156/577
2003/0049109 A1 * 3/2003 Yman 414/403
2004/0011701 A1 * 1/2004 Sumida et al. 206/713
2004/0178046 A1 * 9/2004 Stringer et al. 198/382
2004/0200578 A1 * 10/2004 Ju et al. 156/584
2004/0262736 A1 * 12/2004 Kang 257/688
2007/0040012 A1 * 2/2007 Lin et al. 235/103

* cited by examiner

Primary Examiner—Sandra Snapp

Assistant Examiner—Patricia Palasik

(74) *Attorney, Agent, or Firm*—Melanie G. Gover

(57) **CLAIM**

The ornamental design for a device for accessing a recess of a carrier tape, as shown and described.

DESCRIPTION

FIG. 1 is a perspective view of a new design for a device for accessing a recess of a carrier tape;

FIG. 2 is a front view thereof;

FIG. 3 is a rear view thereof;

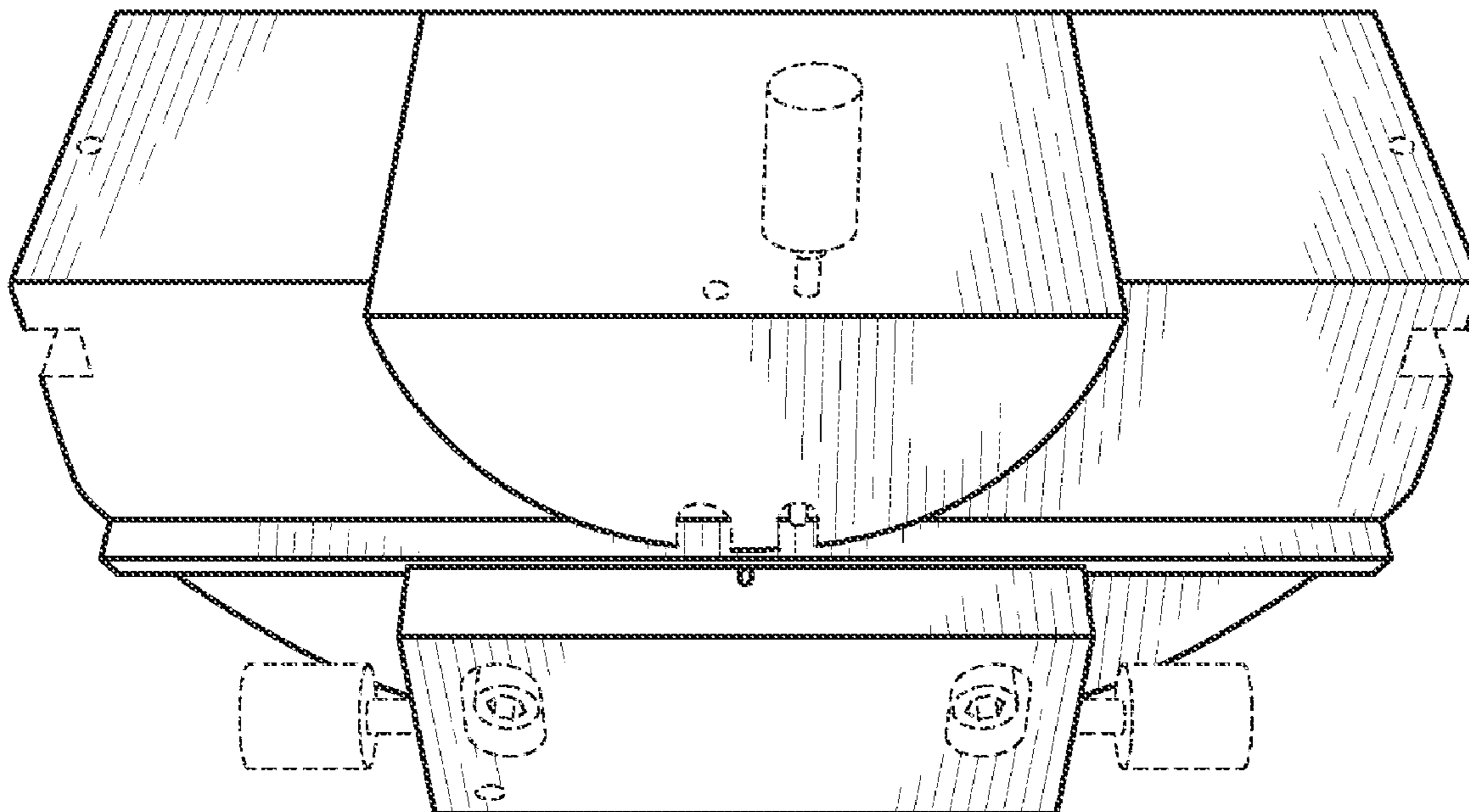
FIG. 4 is a side view thereof;

FIG. 5 is a top view thereof; and,

FIG. 6 is a bottom view thereof.

The broken line showing of a device for accessing a recess of a carrier tape is included for the purpose of illustrating portions of a device for accessing a recess of a carrier tape and forms no part of the claimed design.

1 Claim, 3 Drawing Sheets



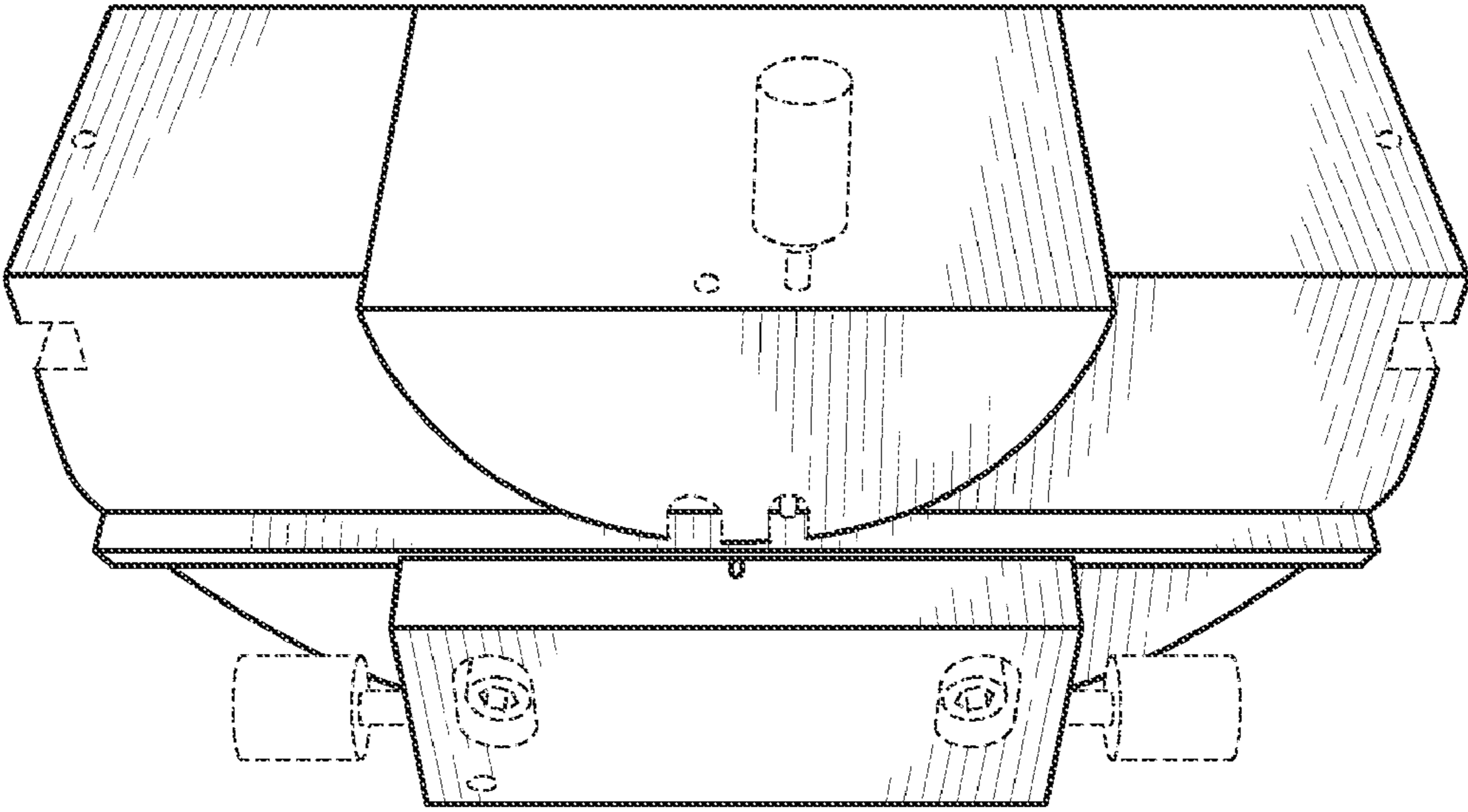


FIG. 1

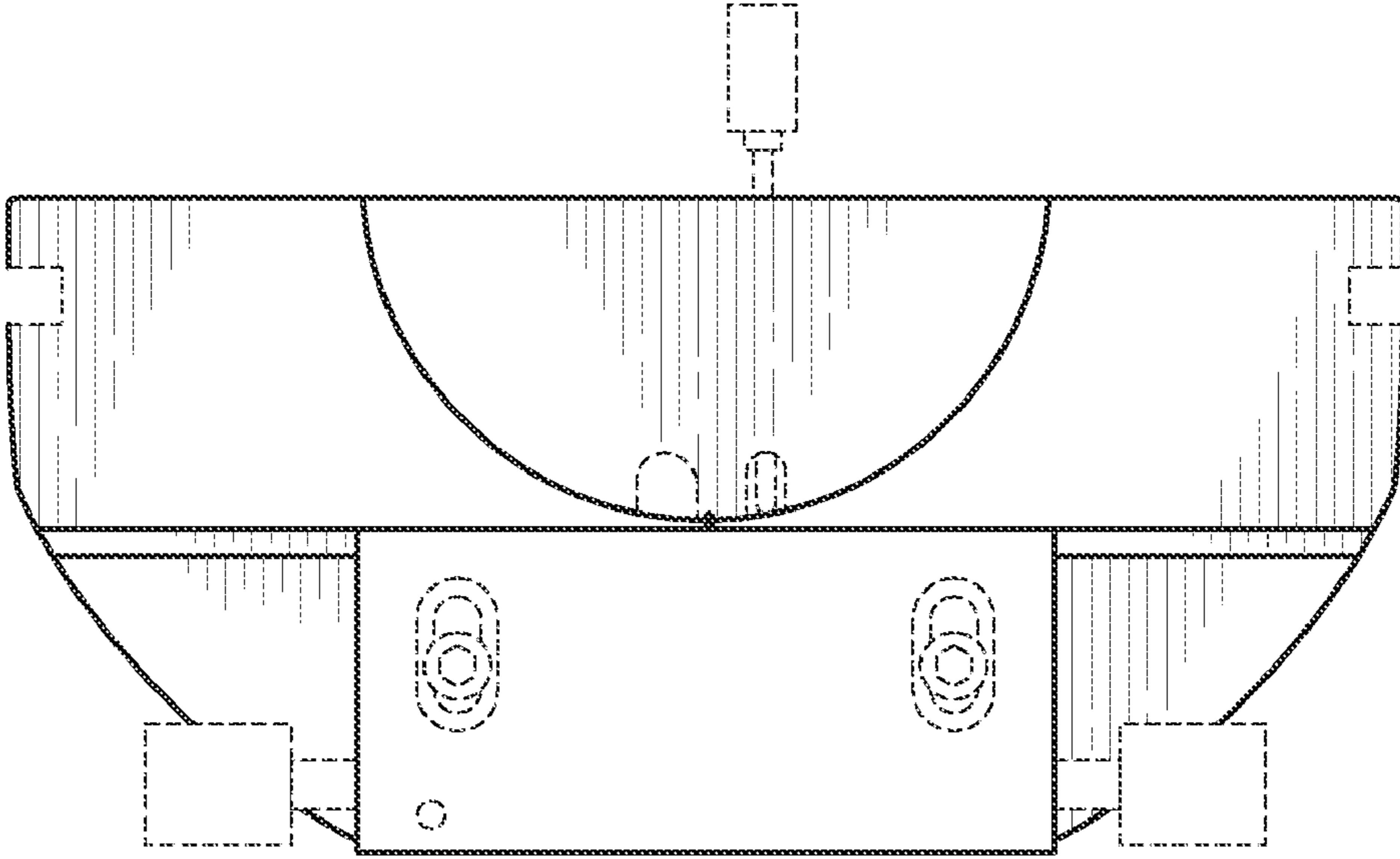


FIG. 2

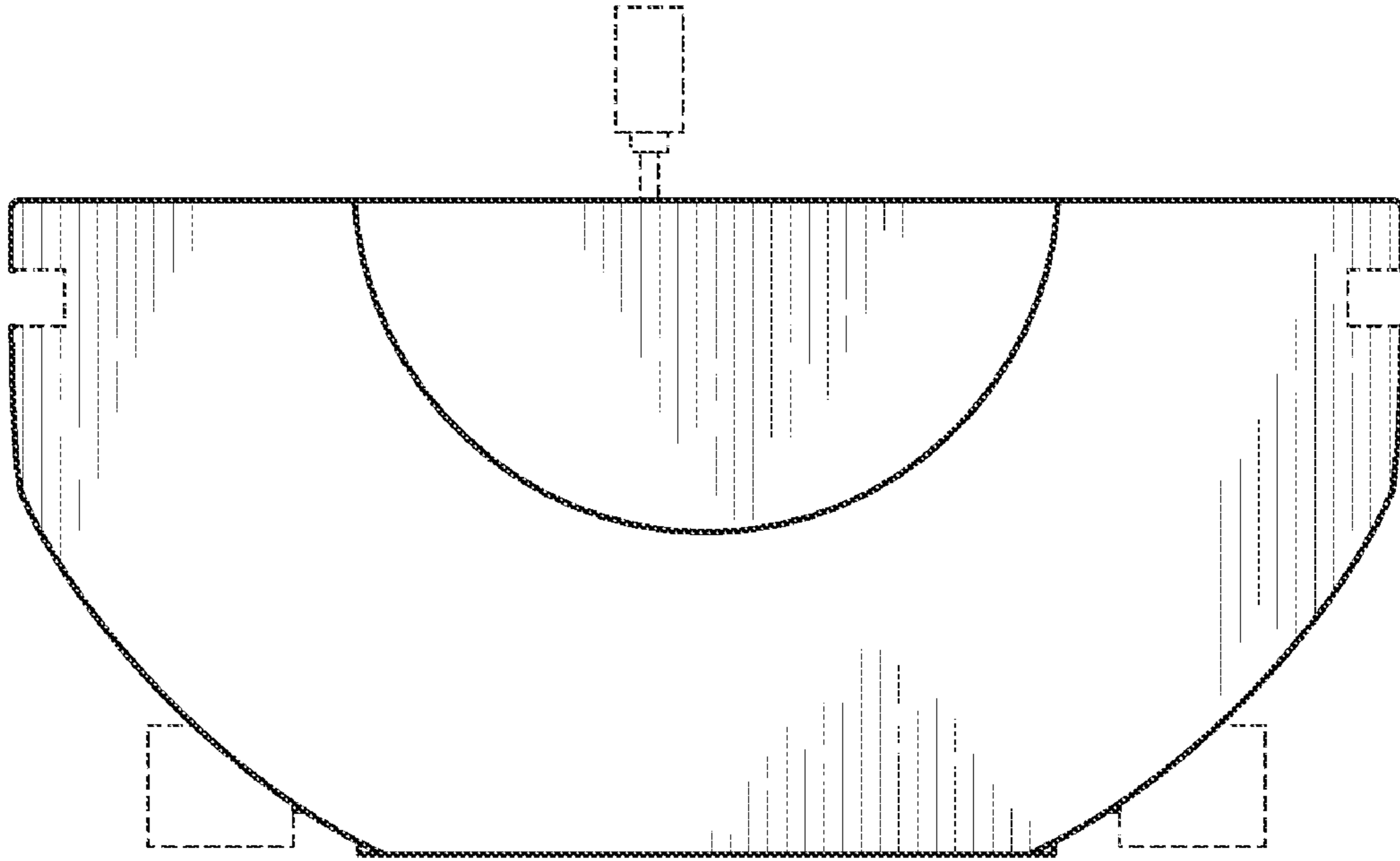


FIG. 3

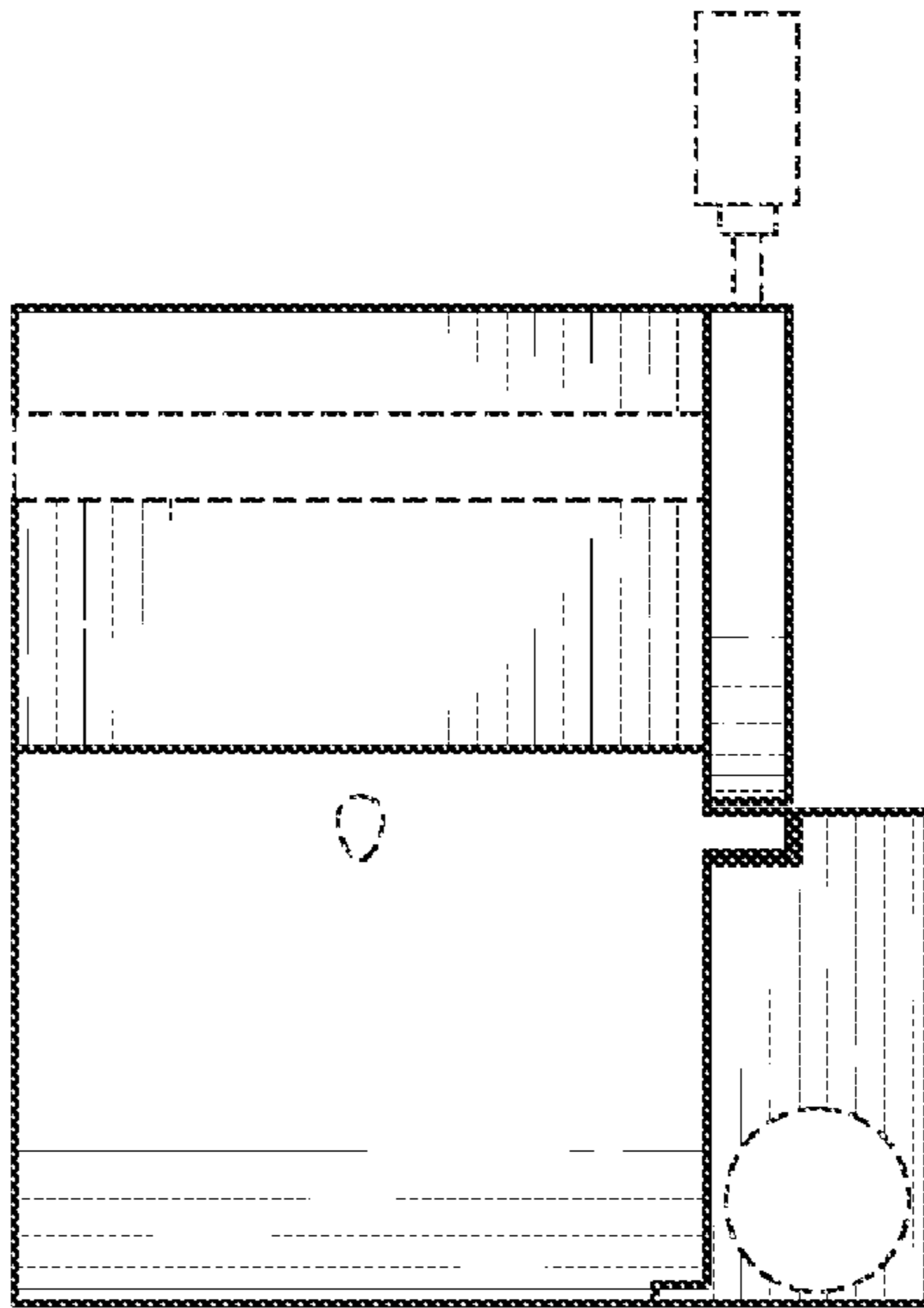


FIG. 4

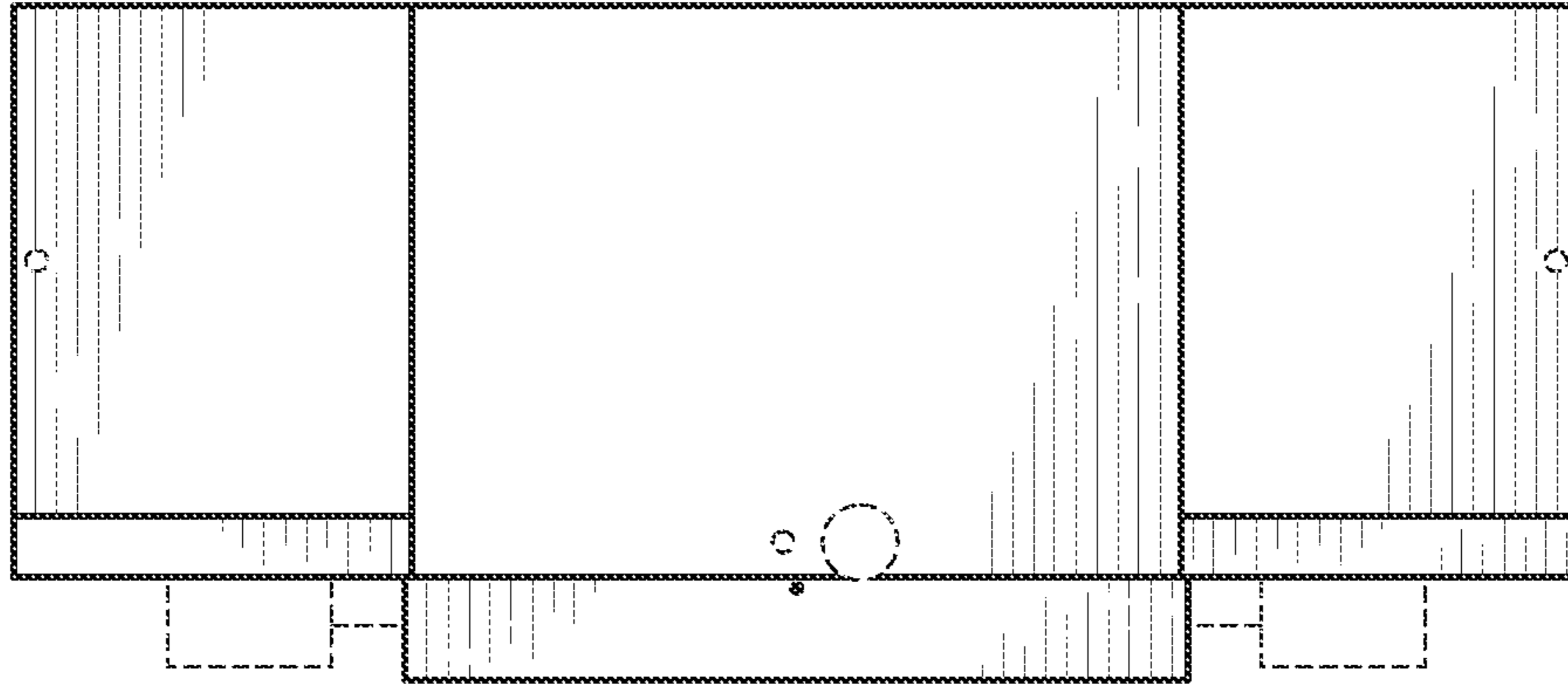


FIG. 5

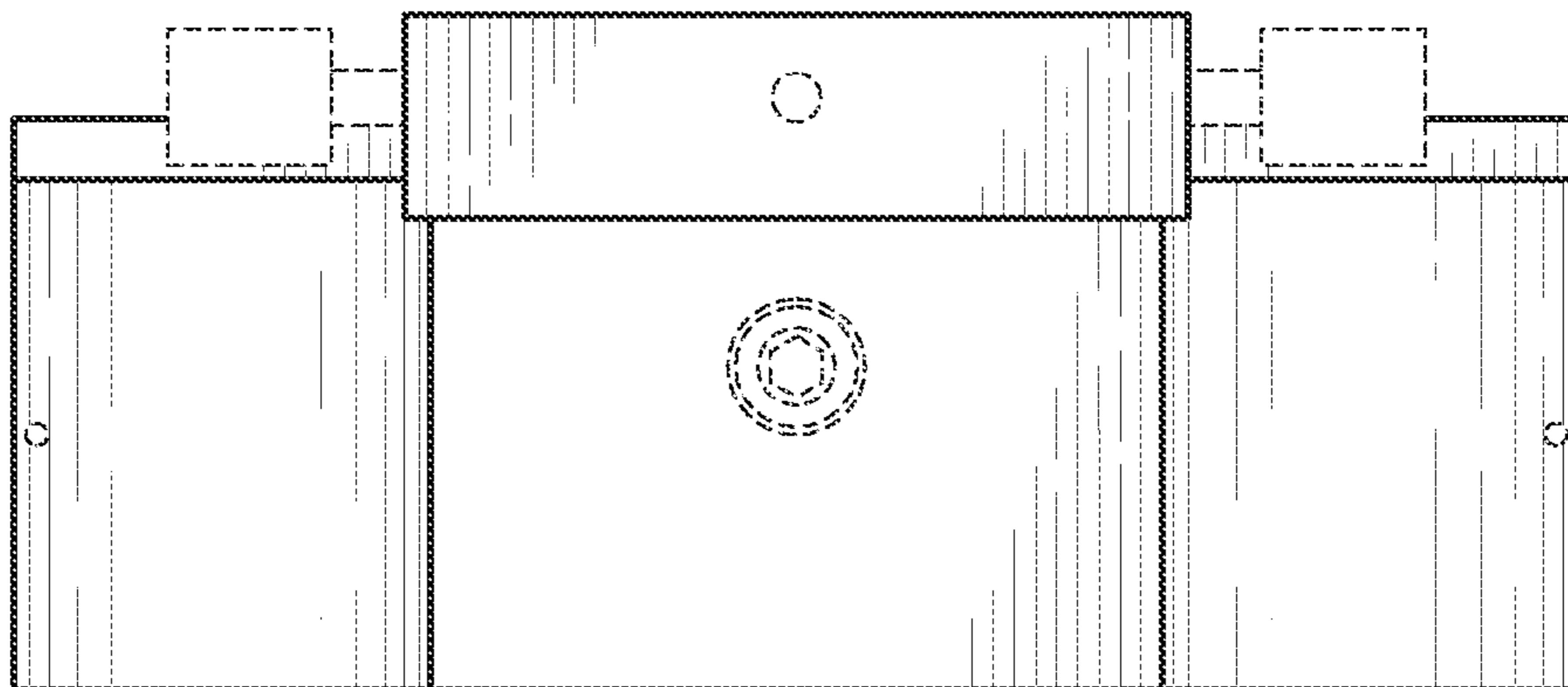


FIG. 6