



US00D590850S

(12) **United States Design Patent**
Park

(10) **Patent No.:** **US D590,850 S**

(45) **Date of Patent:** **** Apr. 21, 2009**

(54) **GRINDING TIP FOR GRINDER**

(76) **Inventor:** **Rin-soon Park**, Yongsang Apt 1-401
150-3 Wonjong-Dong, Ojeong-Gu,
Bucheon-Si, Gyeonggi-Do, 421-200
(KR)

(**) **Term:** **14 Years**

(21) **Appl. No.:** **29/300,986**

(22) **Filed:** **Jun. 6, 2008**

(30) **Foreign Application Priority Data**

Dec. 7, 2007 (KR) 30-2007-0050853

(51) **LOC (9) Cl.** **15-09**

(52) **U.S. Cl.** **D15/126**

(58) **Field of Classification Search** D8/70,
D8/71, 90, 98; D15/124, 126, 138, 139;
D21/485, 488, 499, 500, 503, 504; D25/103,
D25/113-118; 83/589, 676, 863; 407/35,
407/42, 112-119; 451/548-551
See application file for complete search history.

(56) **References Cited**

U.S. PATENT DOCUMENTS

3,745,719 A * 7/1973 Oswald 451/548
D241,059 S * 8/1976 Young D15/124
4,457,765 A * 7/1984 Wilson 451/548
D482,587 S * 11/2003 Moren et al. D8/90
D548,758 S * 8/2007 Park D15/126

D551,359 S * 9/2007 Price D25/113
2005/0164620 A1 * 7/2005 Amamoto 451/548
2006/0116060 A1 * 6/2006 Thysell 451/548
2007/0155293 A1 * 7/2007 Endres et al. 451/56
2007/0254568 A1 * 11/2007 Park 451/548

* cited by examiner

Primary Examiner—Sandra Snapp

Assistant Examiner—Patricia Palasik

(74) *Attorney, Agent, or Firm*—The Nath Law Group; Jerald
L. Meyer; Jiaxiao Zhang

(57) **CLAIM**

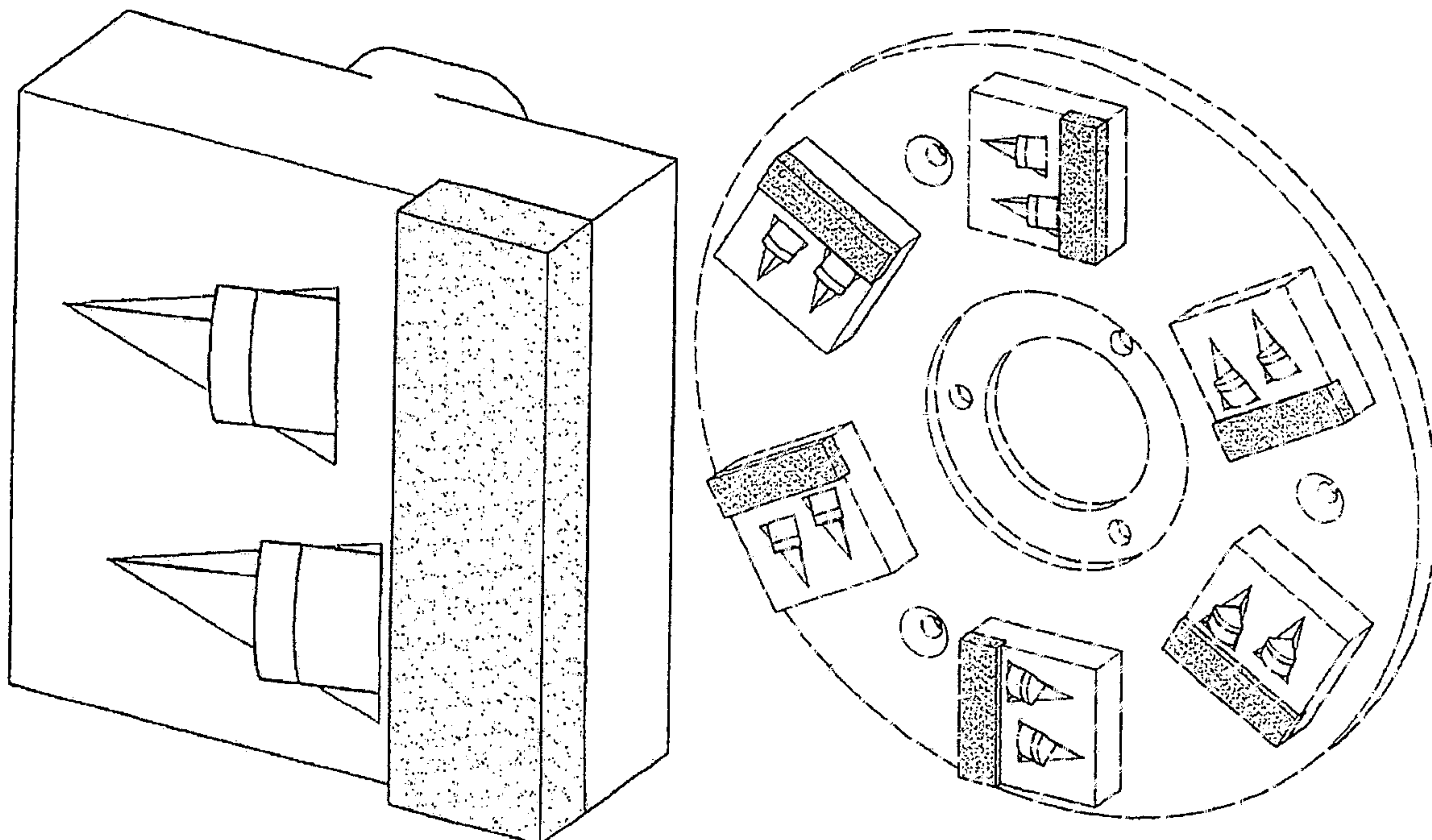
The ornamental design for a grinding tip for grinder, as shown
and described.

DESCRIPTION

FIG. 1 is a bottom view of the grinding tip for grinder;
FIG. 2 is a front view of the grinding tip for grinder;
FIG. 3 is a top view of the grinding tip for grinder;
FIG. 4 is a left side view of the grinding tip for grinder;
FIG. 5 is a perspective view of the grinding tip for grinder;
FIG. 6 is a rear view of the grinding tip for grinder;
FIG. 7 is a reference view of the grinding tip for grinder; and,
FIG. 8 is a right side view of the grinding tip for grinder.

The broken line showing of the grinding tip for grinder in
FIG. 7 is included for the purpose of illustrating environment
and forms no part of the claimed design.

1 Claim, 8 Drawing Sheets



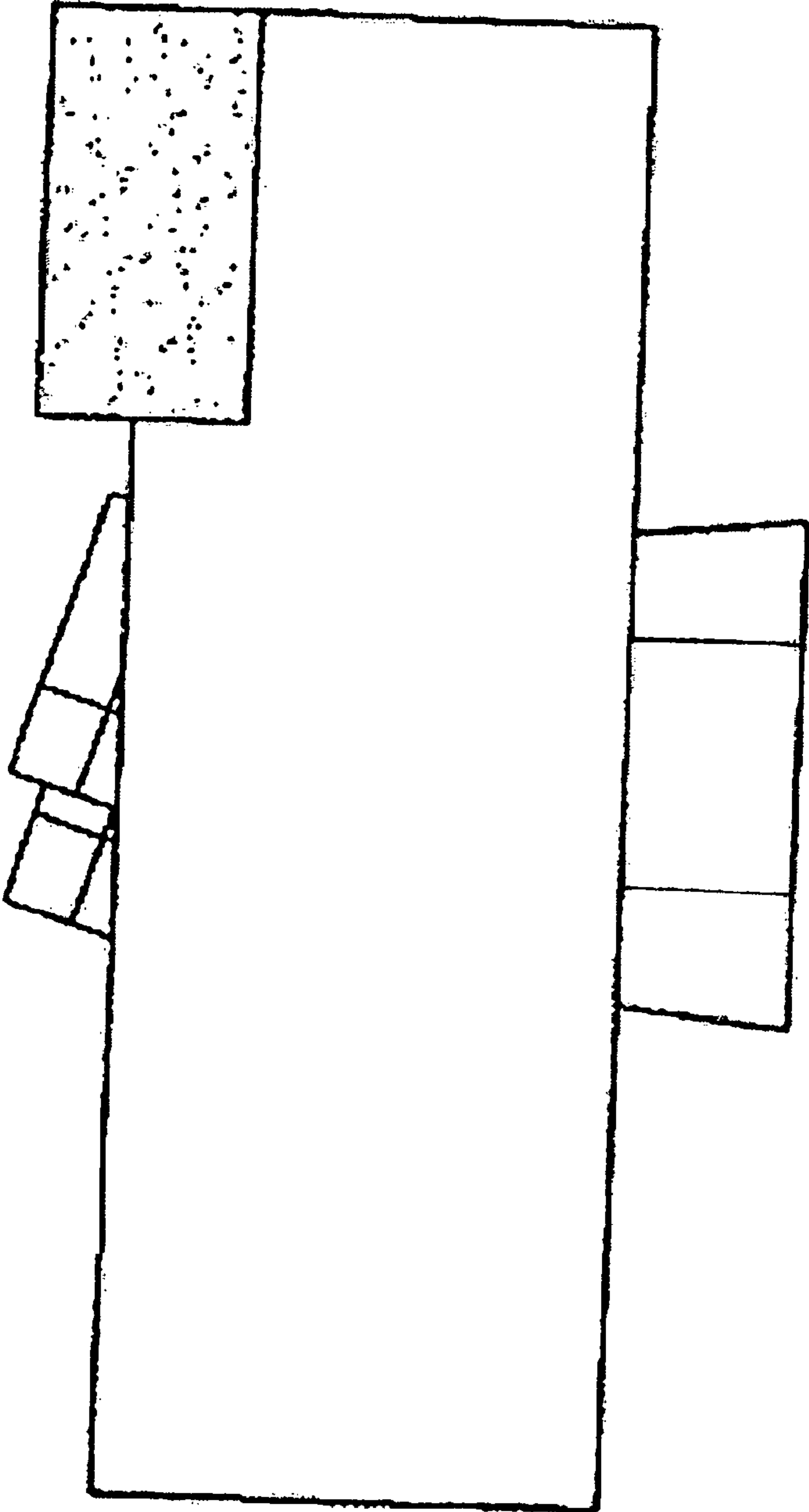


FIG. 1

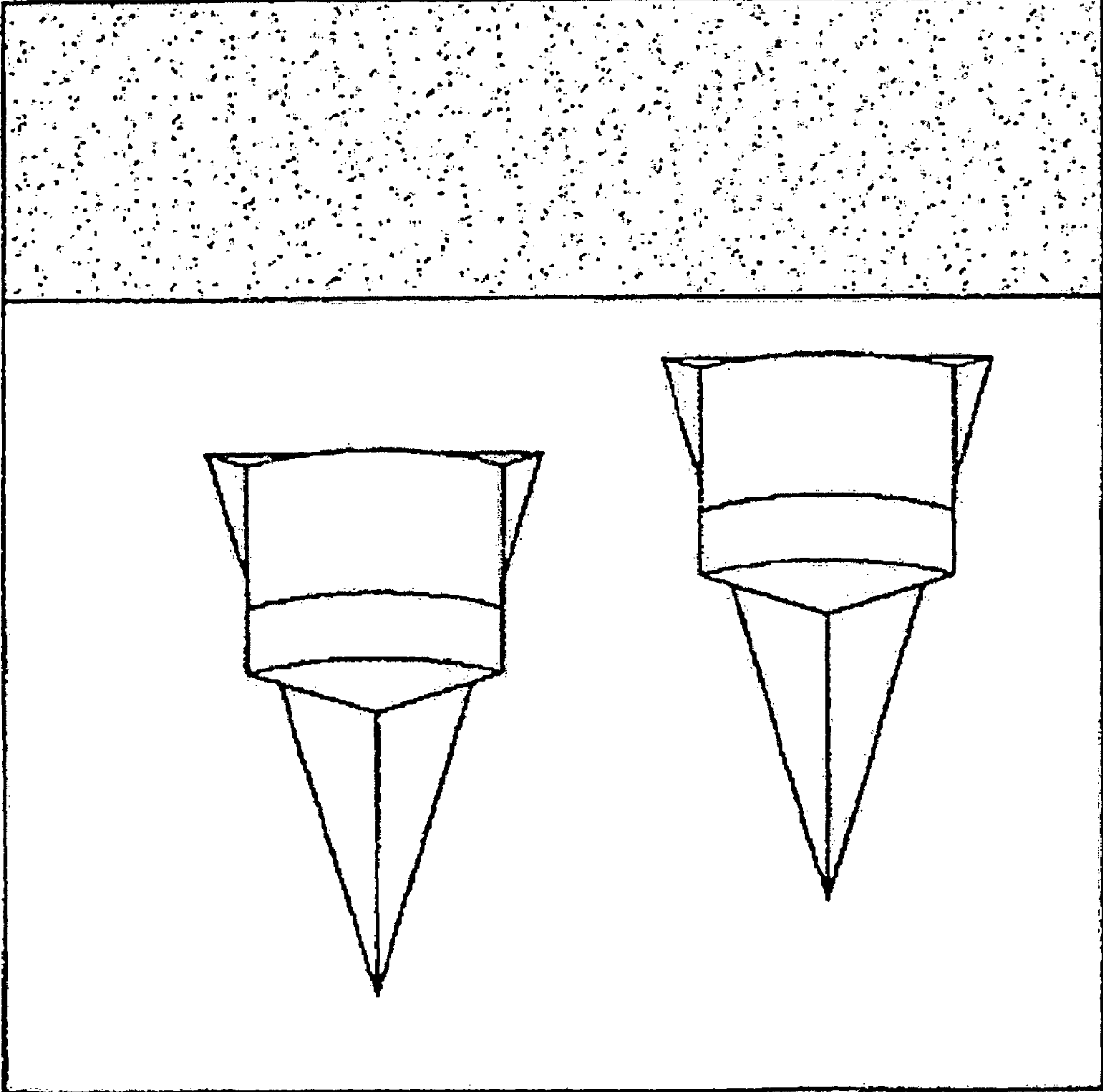


FIG. 2

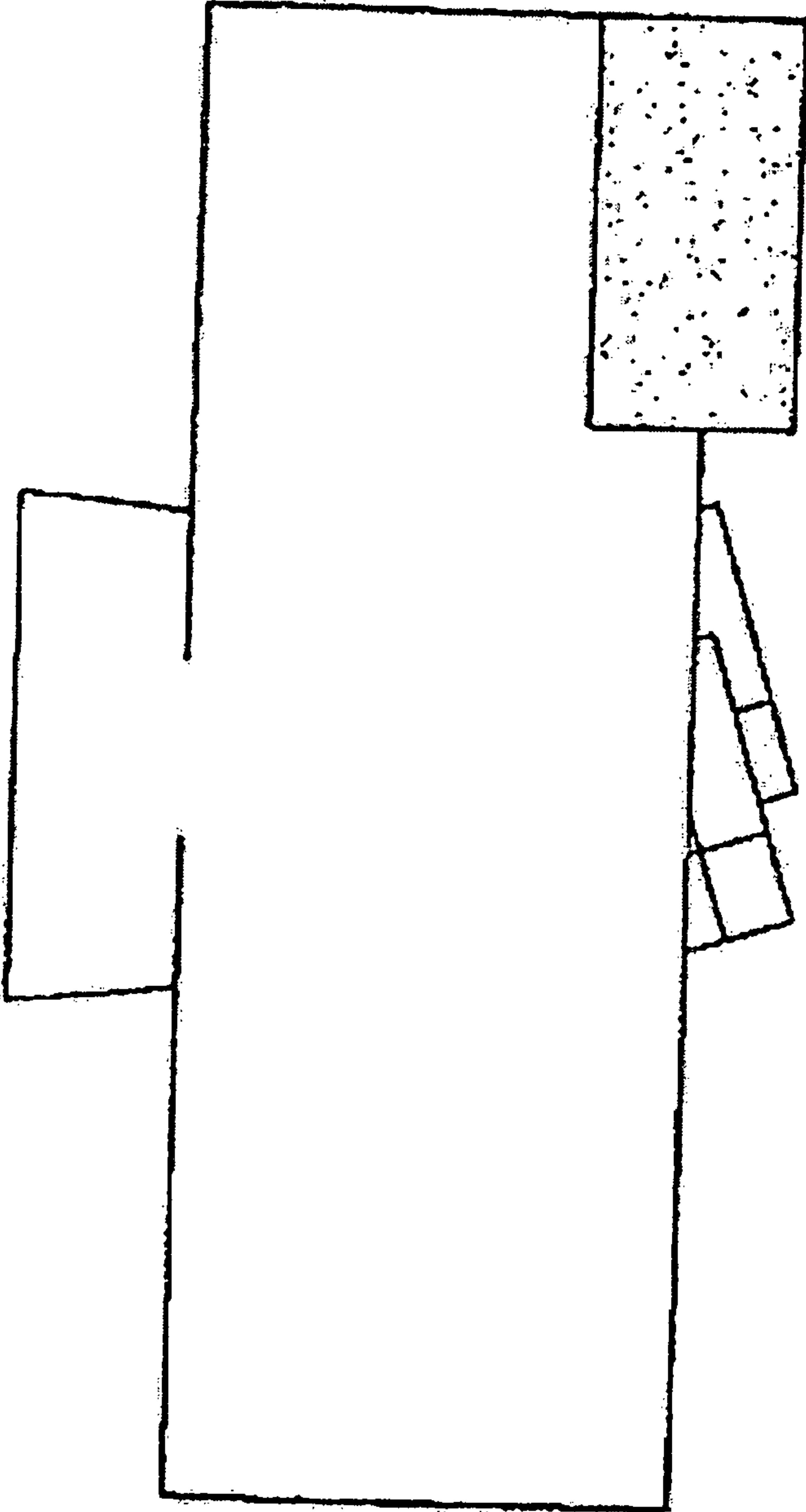


FIG. 3

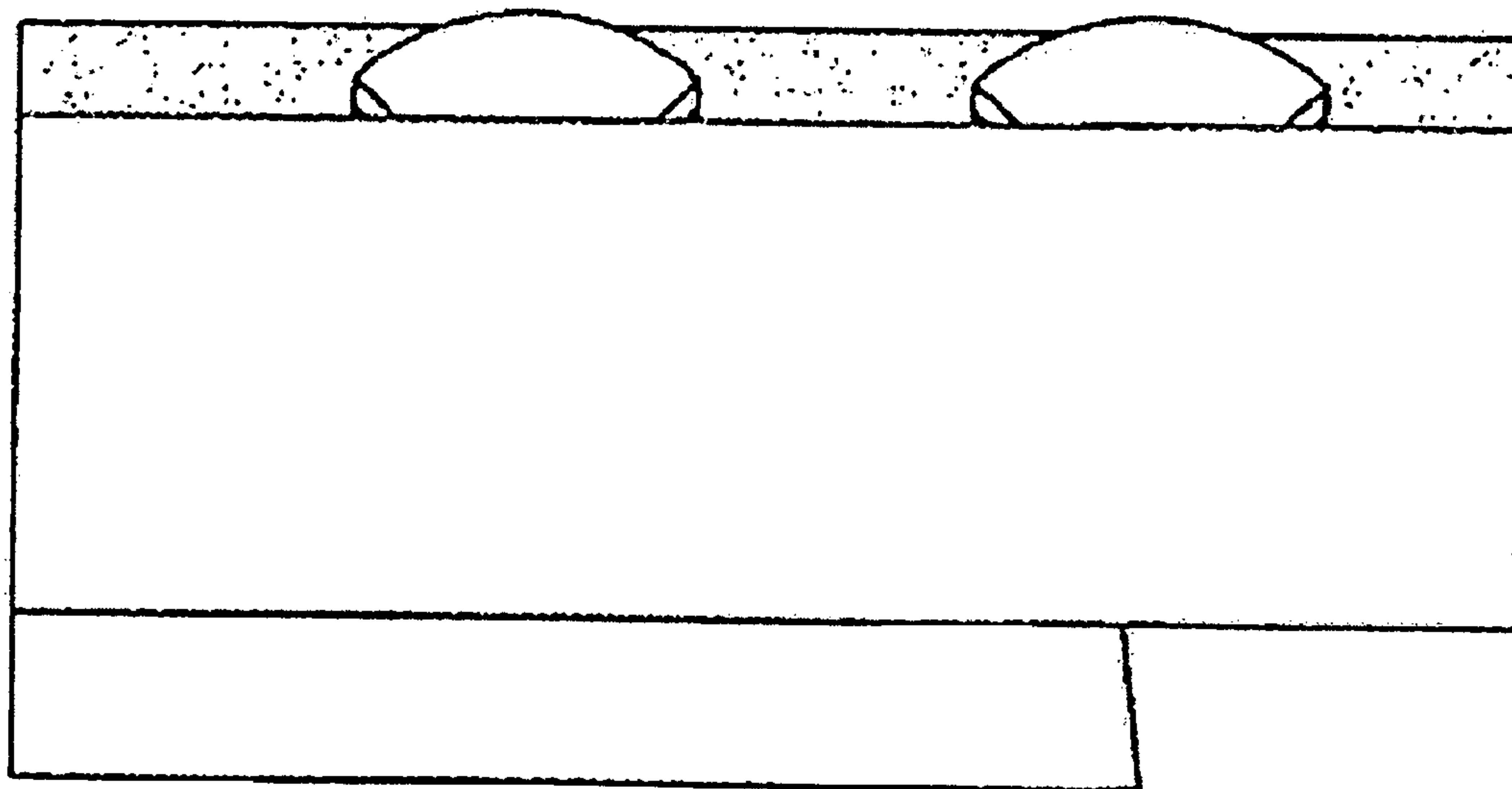


FIG. 4

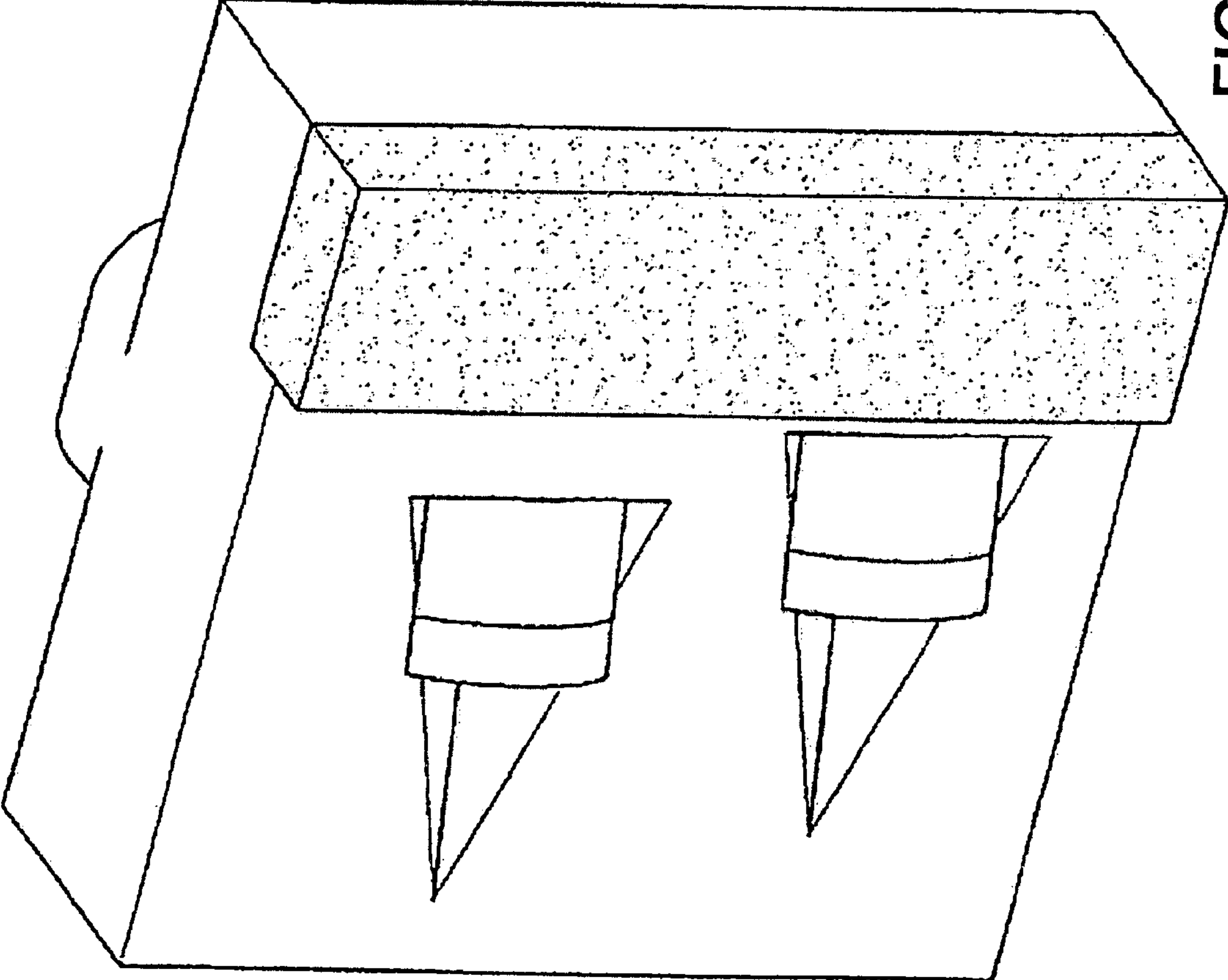


FIG. 5

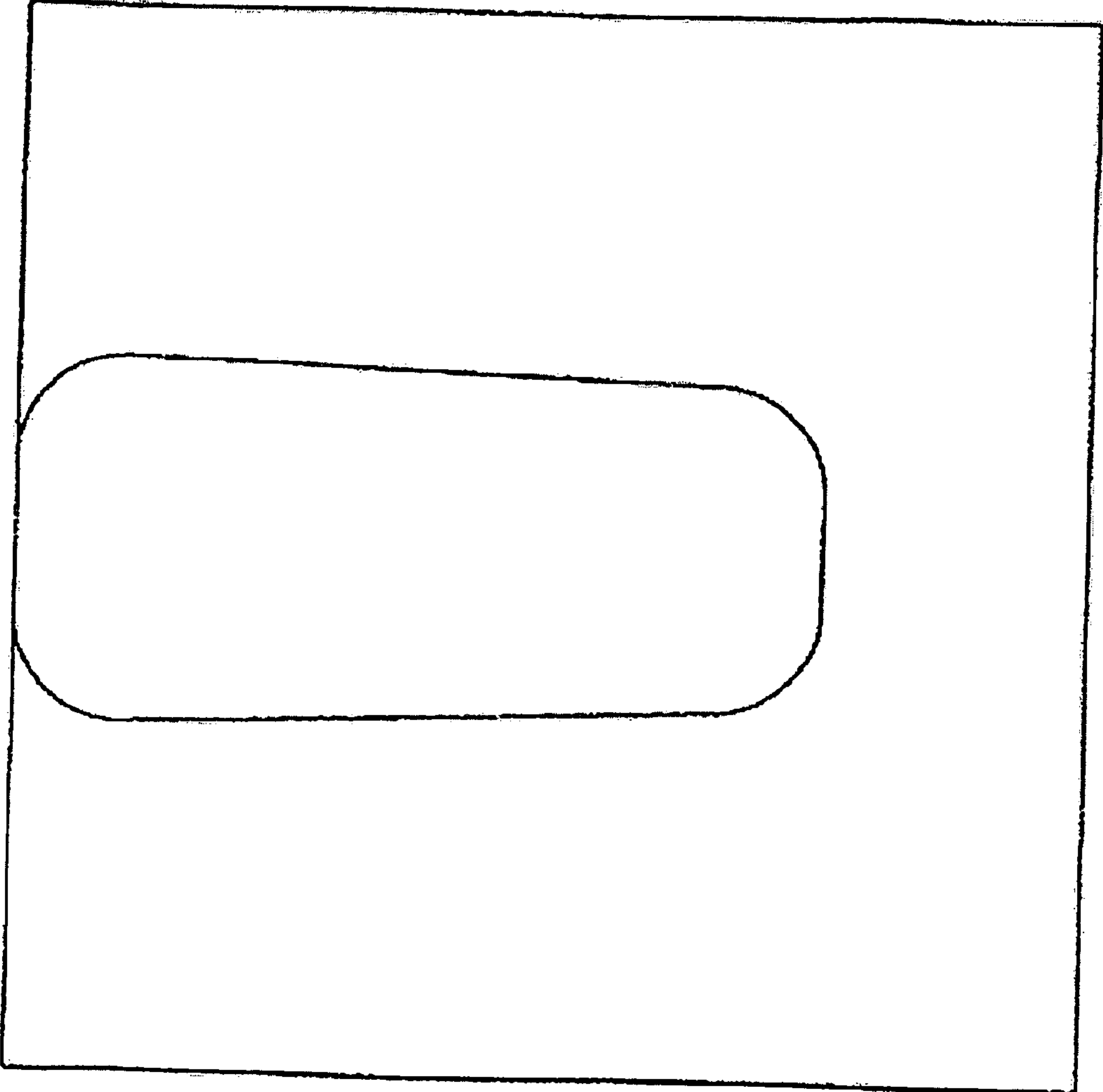


FIG. 6

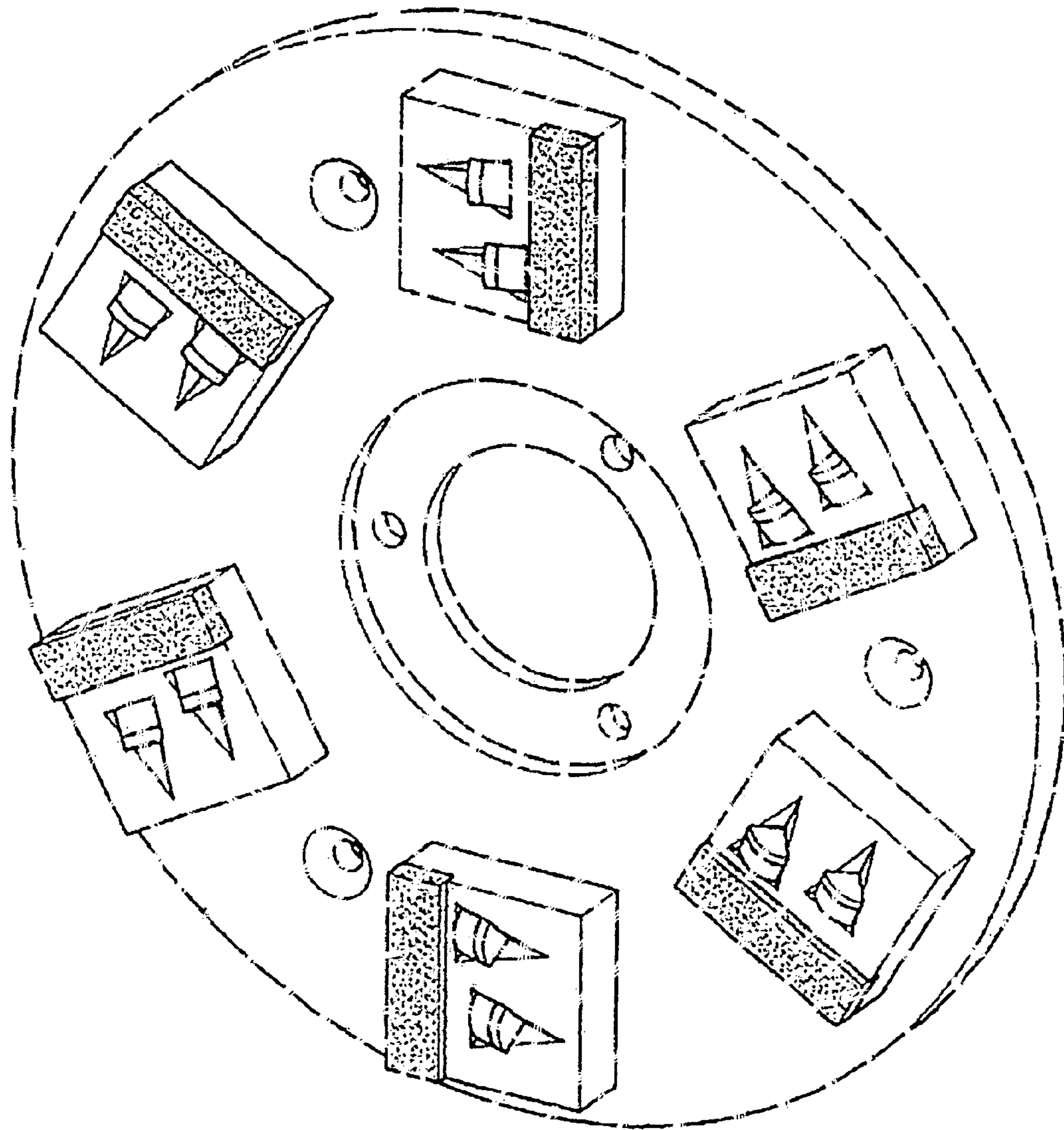


FIG. 7

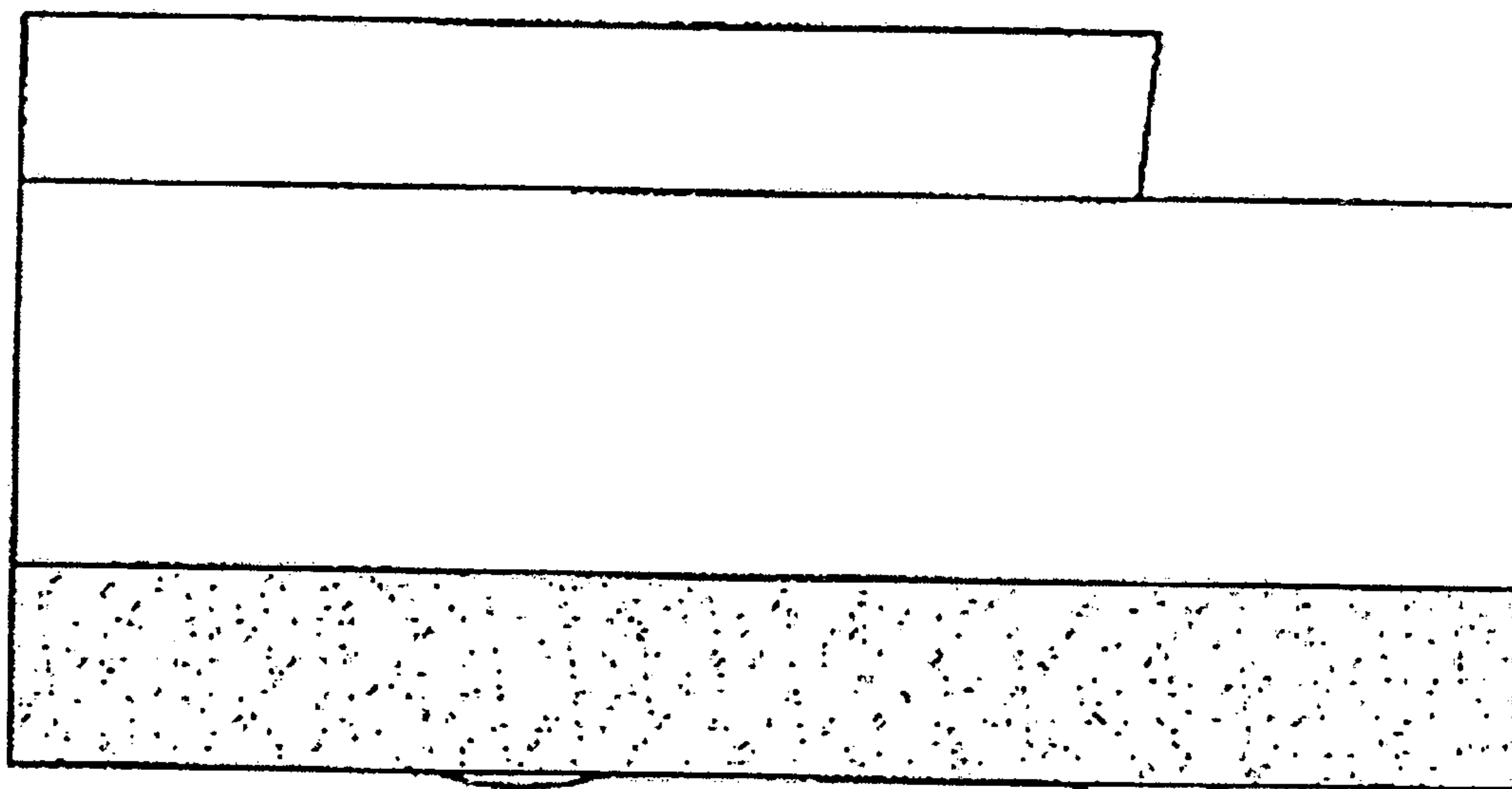


FIG. 8