

US00D590849S

(12) **United States Design Patent**
Muller et al.

(10) **Patent No.:** **US D590,849 S**
(45) **Date of Patent:** **** Apr. 21, 2009**

(54) **EMBROIDERY MACHINE**
(75) Inventors: **Sabina Muller**, Kreuzlingen (CH); **Tino Melzer**, Kreuzlingen (CH); **Andreas Dimitriadis**, Lorch (DE)

D523,031 S * 6/2006 Muto D15/69
D523,449 S * 6/2006 Muto D15/70
D524,829 S * 7/2006 Muto D15/69
D527,744 S * 9/2006 Tseng D15/68
D557,291 S * 12/2007 Gustafsson D15/70
D568,908 S * 5/2008 Gustafsson D15/70

(73) Assignee: **Bernina International AG**, Steckborn (CH)

* cited by examiner

(**) Term: **14 Years**

Primary Examiner—Stella M Reid

Assistant Examiner—Shanda C Hill

(21) Appl. No.: **29/317,903**

(74) *Attorney, Agent, or Firm*—Volpe and Koenig, P.C.

(22) Filed: **May 9, 2008**

(57) **CLAIM**

(30) **Foreign Application Priority Data**

The ornamental design for an embroidery machine, as shown and described.

Nov. 9, 2007 (CH) 134510

DESCRIPTION

(51) **LOC (9) Cl.** **15-06**

FIG. 1 is a top left front perspective view of the embroidery machine in accordance with our new design;

(52) **U.S. Cl.** **D15/66**

FIG. 2 is a top right front perspective view thereof;

(58) **Field of Classification Search** D15/66-78;
112/2, 78, 154, 475.01

FIG. 3 is a top right rear perspective view thereof;

See application file for complete search history.

FIG. 4 is a top left rear perspective view thereof;

(56) **References Cited**

FIG. 5 is a front elevational view thereof

U.S. PATENT DOCUMENTS

FIG. 6 is a top plan view thereof;

D433,690 S * 11/2000 Kuroki D15/70
D450,719 S * 11/2001 Kuroki et al. D15/69
D459,737 S * 7/2002 Kuroki D15/69
D460,765 S * 7/2002 Kuroki D15/69
D482,703 S * 11/2003 Kuroki D15/69
D504,692 S * 5/2005 Kuroki D15/69
D509,516 S * 9/2005 Kuroki D15/70

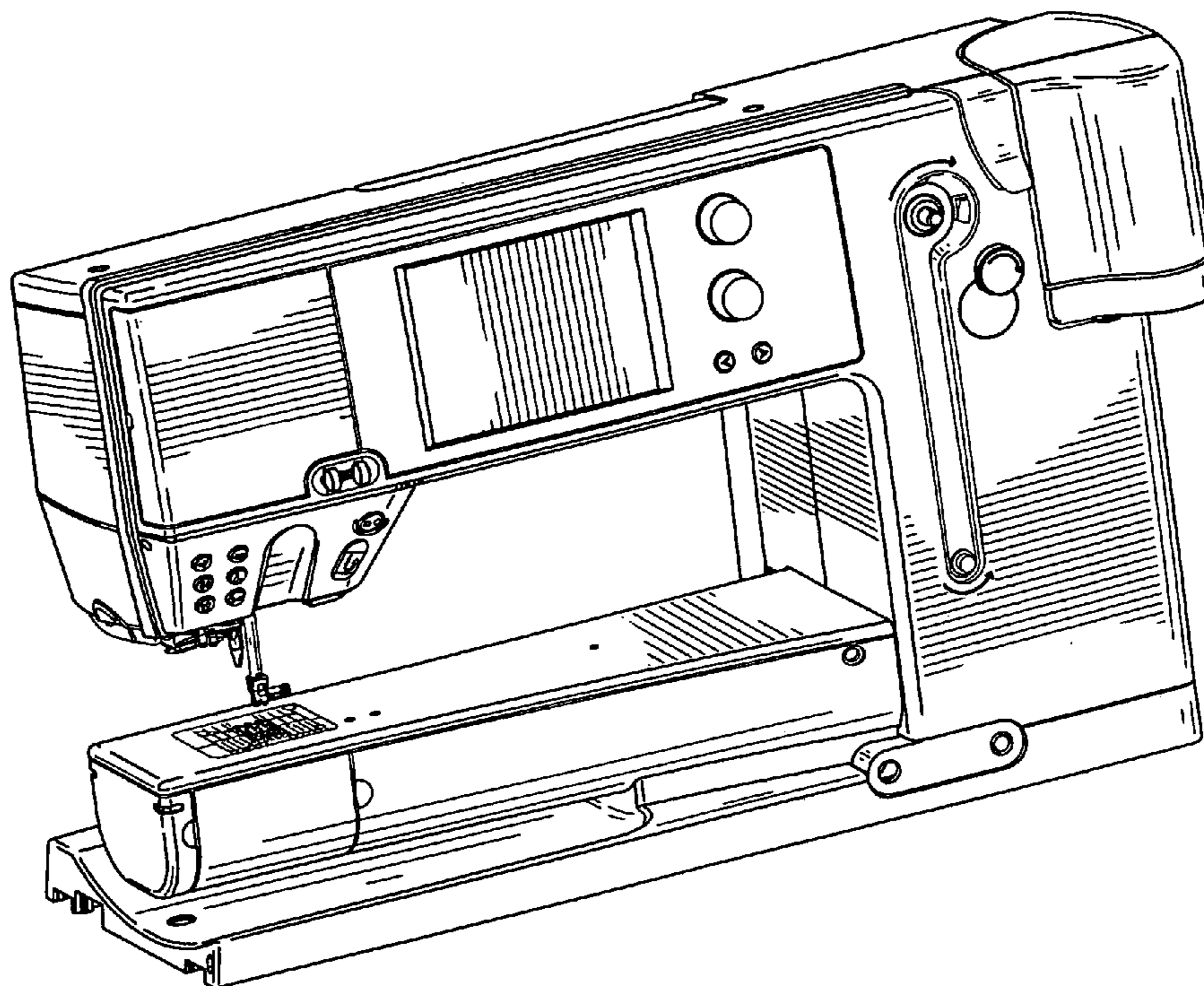
FIG. 7 is a rear elevational view thereof;

FIG. 8 is a bottom view thereof;

FIG. 9 is a left side elevational view thereof; and,

FIG. 10 is a right side elevational view thereof.

1 Claim, 10 Drawing Sheets



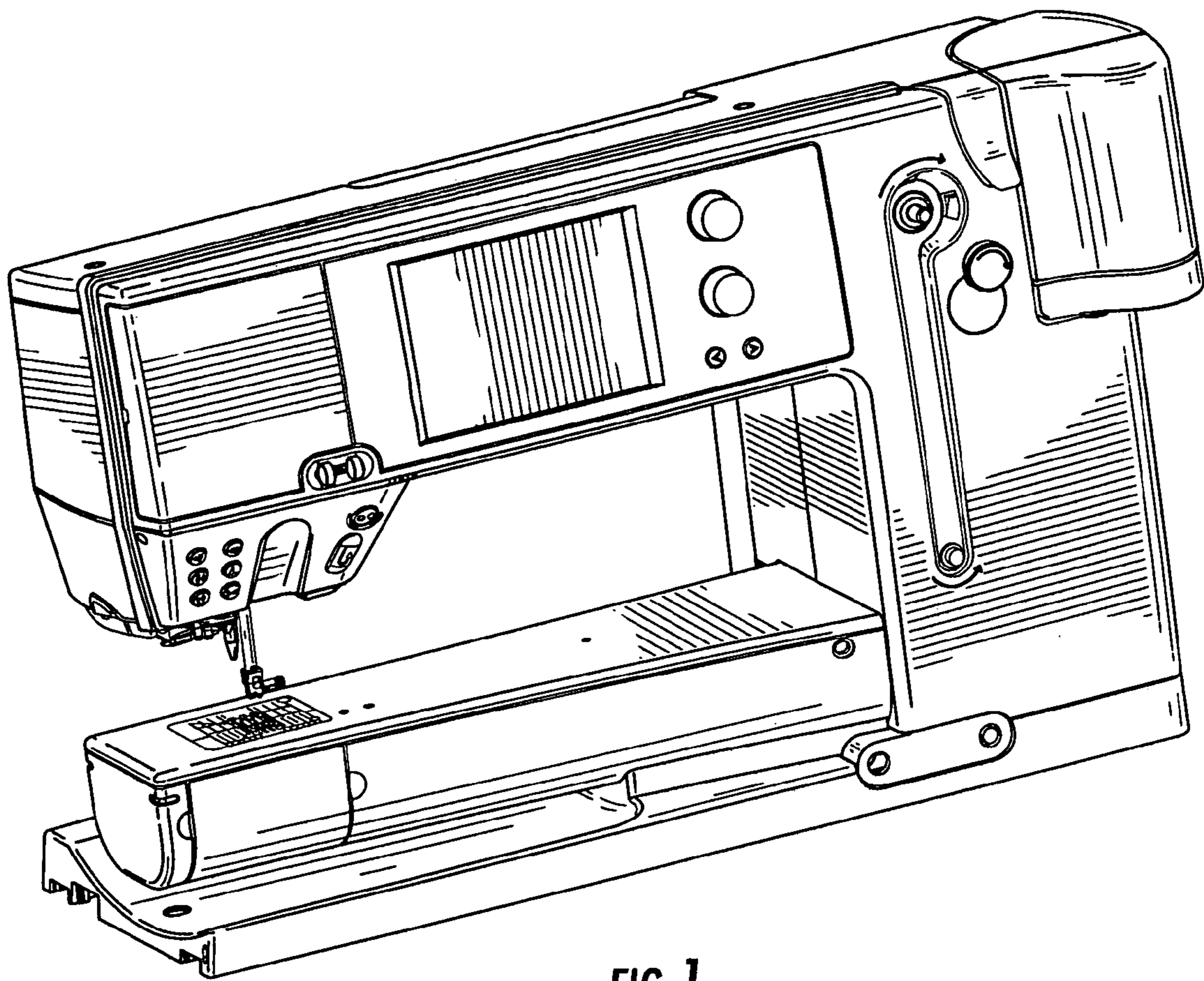


FIG. 1

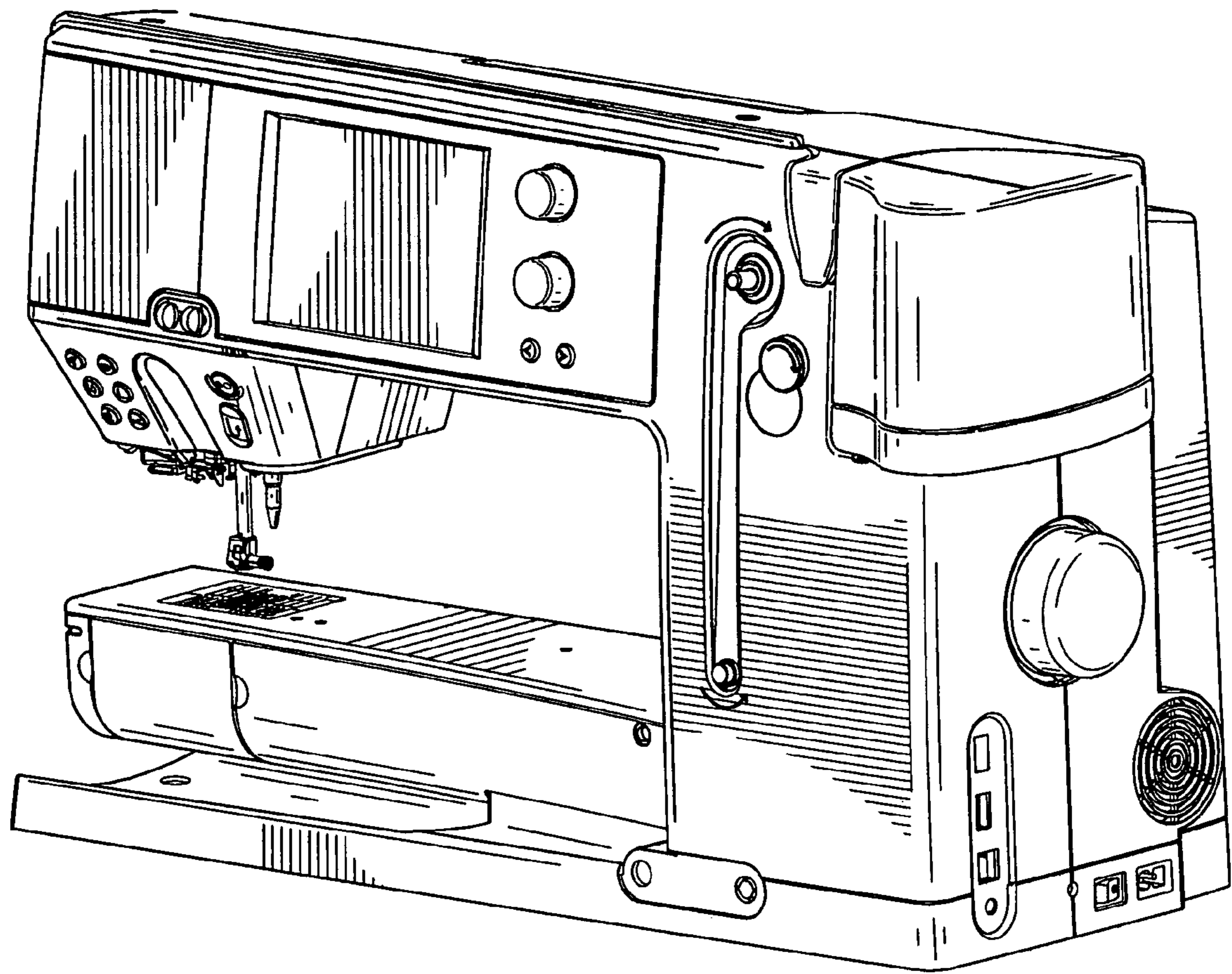


FIG. 2

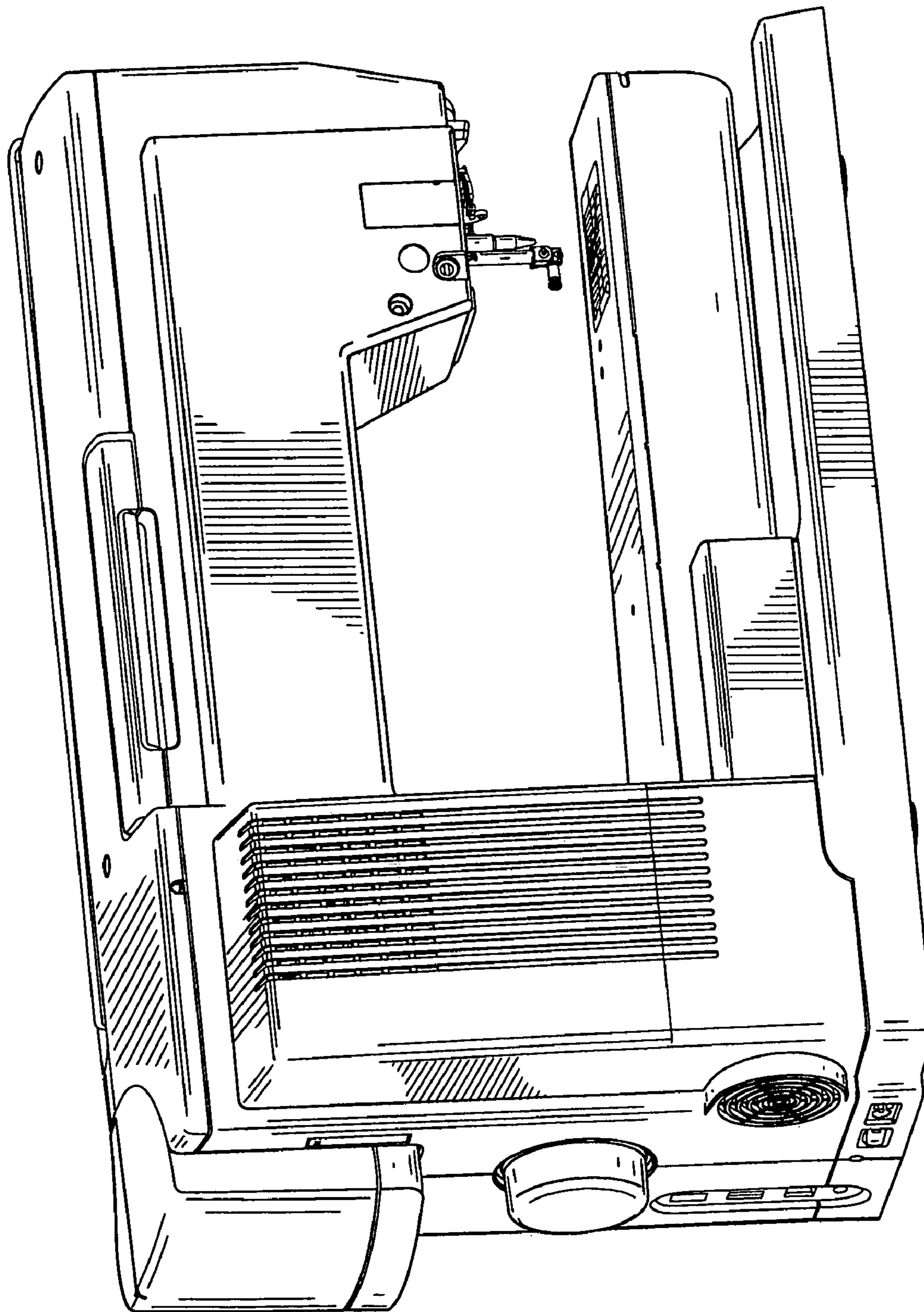


FIG. 3

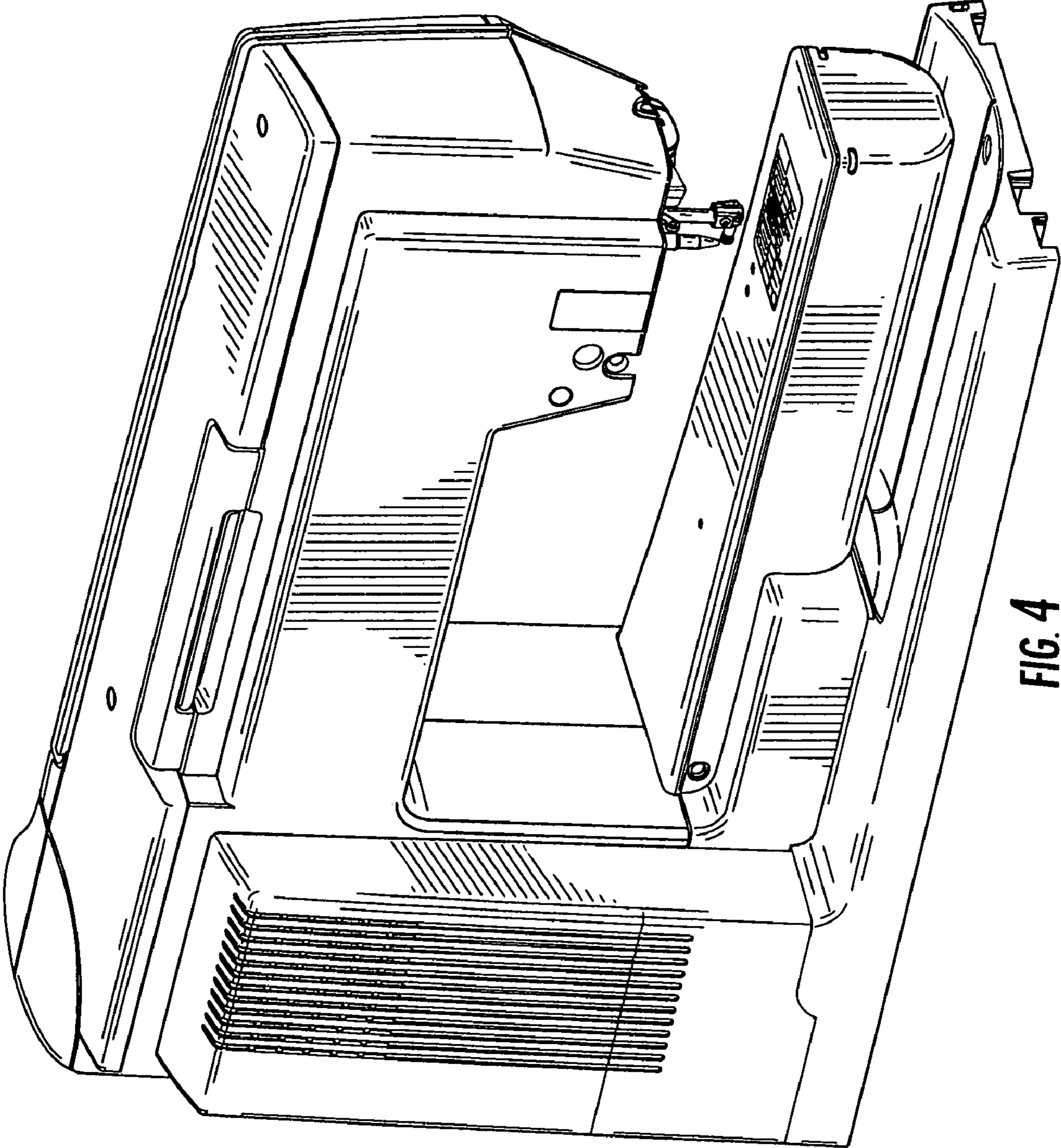


FIG. 4

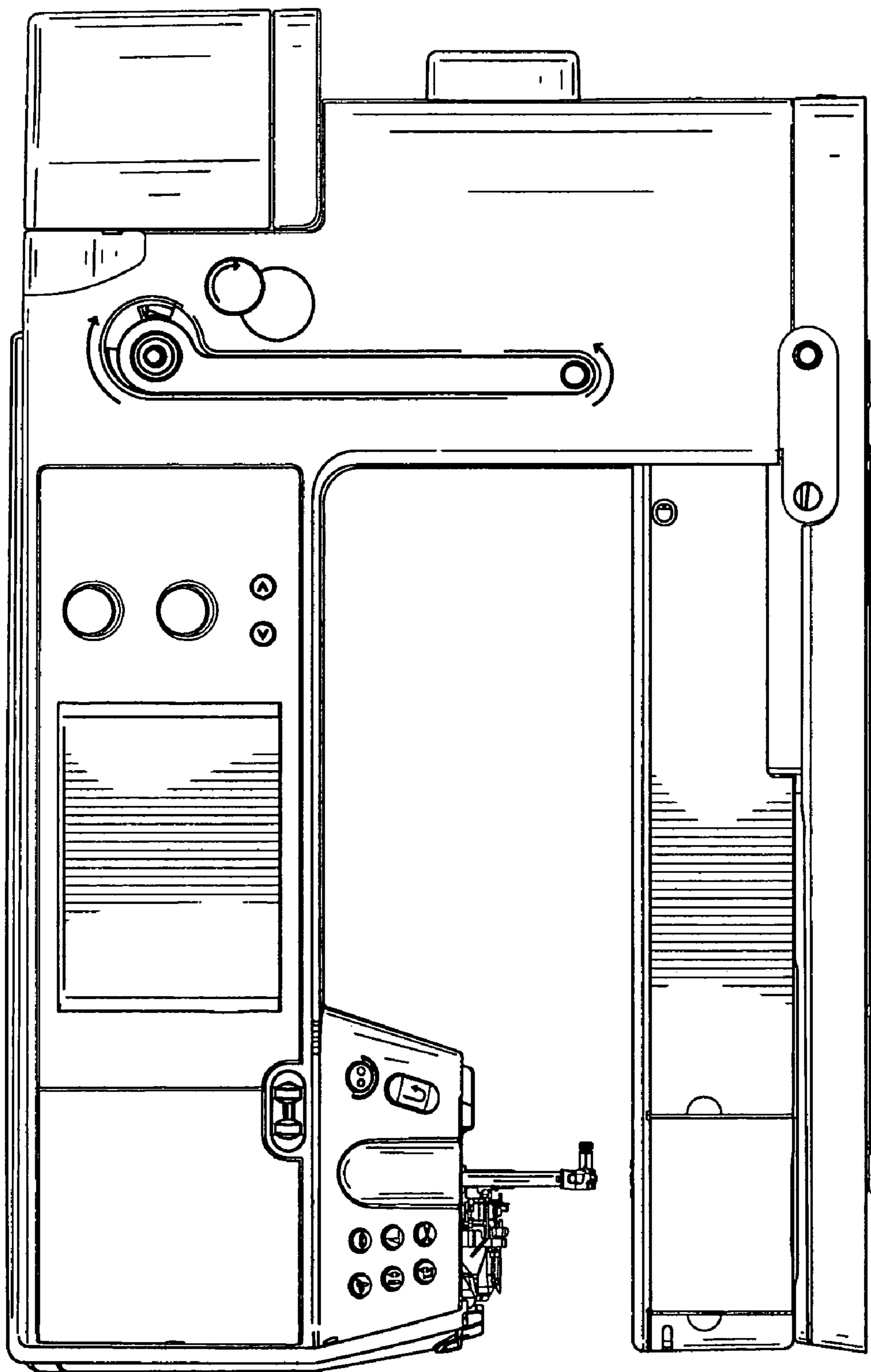


FIG. 5

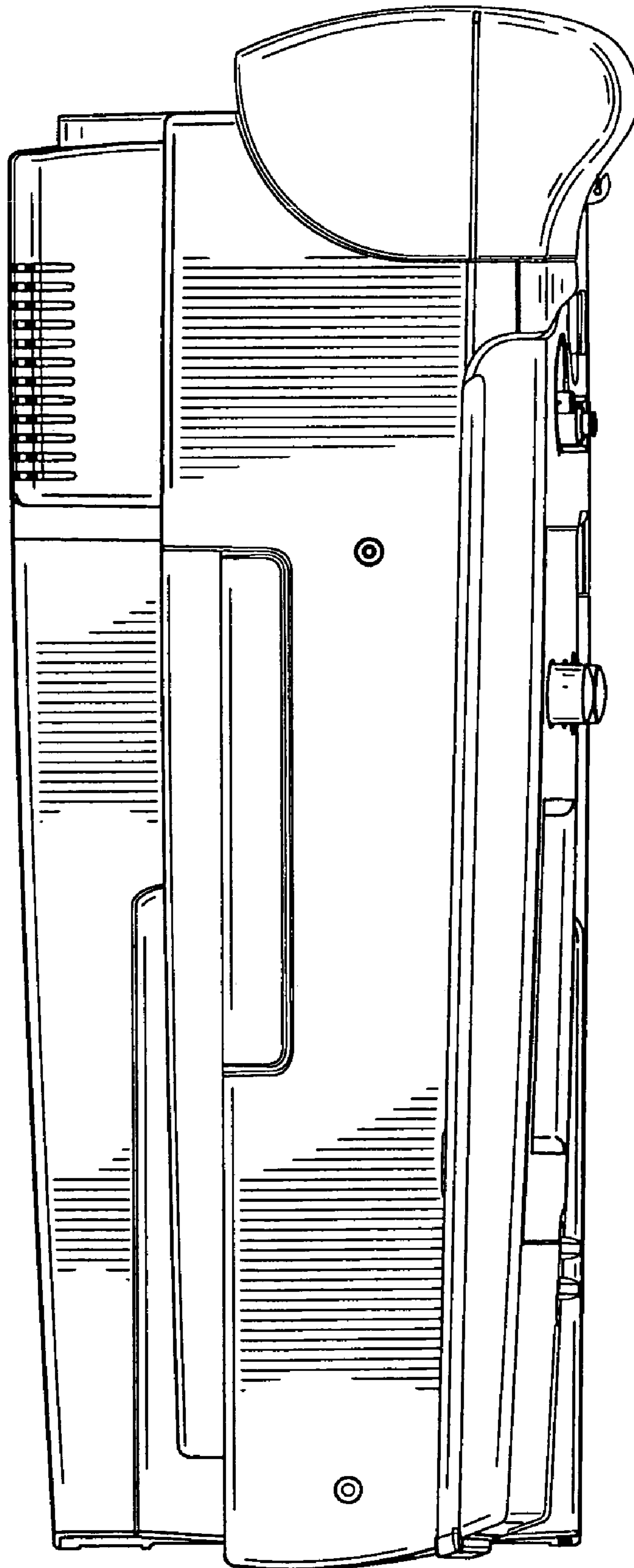


FIG. 6

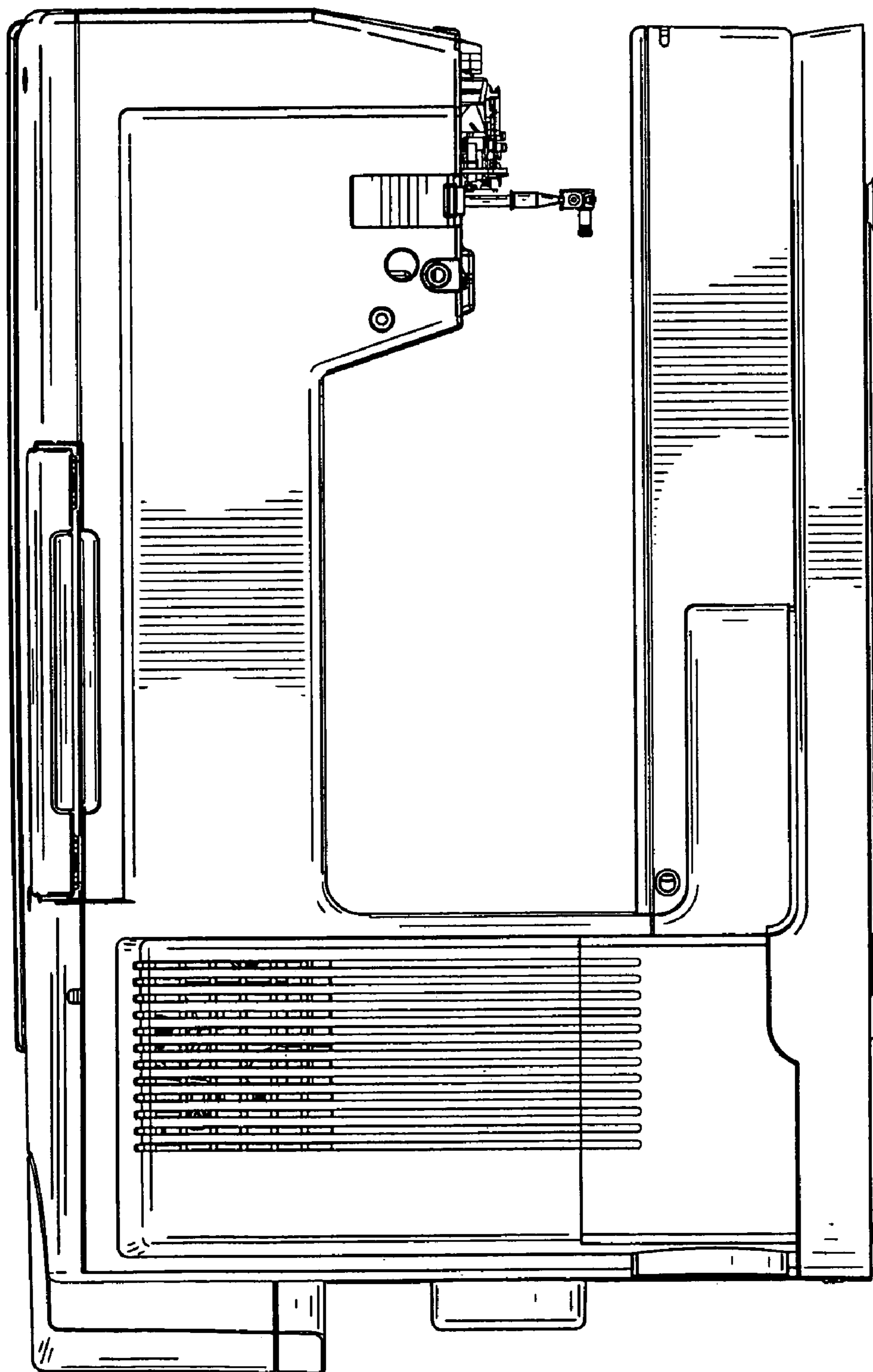


FIG. 7

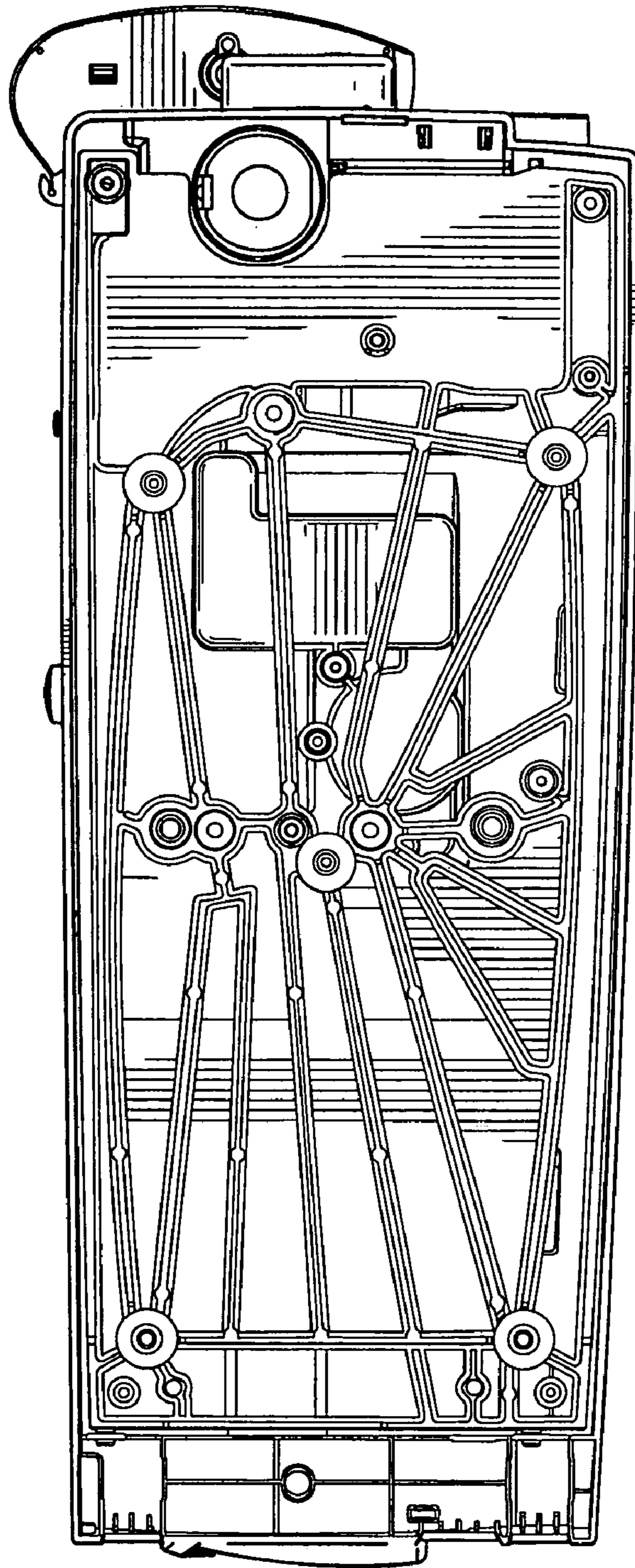


FIG. 8

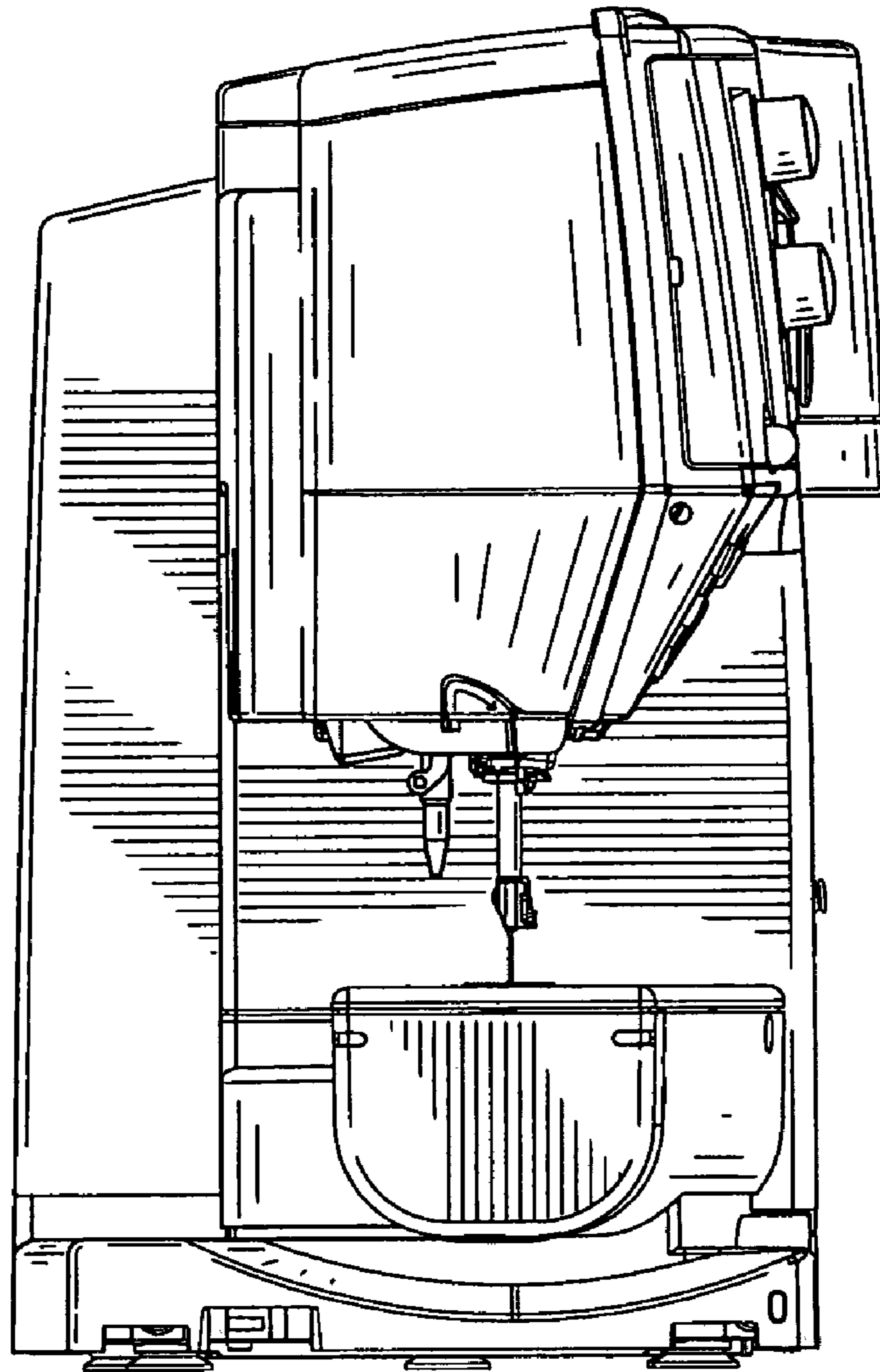


FIG. 9

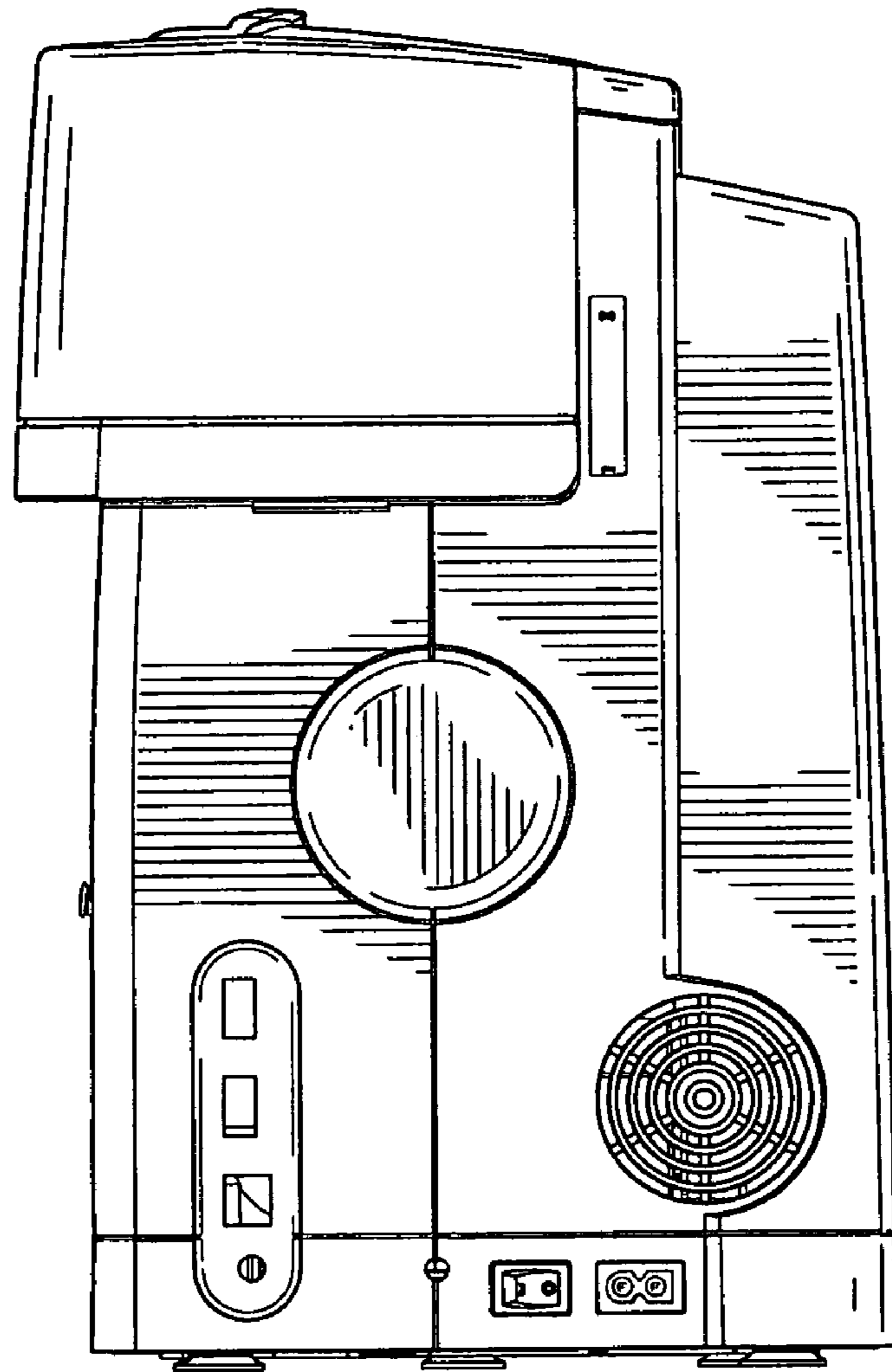


FIG. 10