

US00D590847S

(12) **United States Design Patent**  
**Yonekura et al.**

(10) **Patent No.:** **US D590,847 S**  
(45) **Date of Patent:** **\*\* Apr. 21, 2009**

(54) **EXCAVATOR**

(75) Inventors: **Kiyoshi Yonekura**, Chikugo (JP);  
**Yasuyuki Oyamada**, Chikugo (JP);  
**Hiroyuki Ootsuki**, Chikugo (JP);  
**Masamitsu Uemura**, Chikugo (JP);  
**Katashi Tanaka**, Chikugo (JP)

(73) Assignee: **Yanmar Co., Ltd.**, Osaka (JP)

(\*\*) Term: **14 Years**

(21) Appl. No.: **29/323,884**

(22) Filed: **Sep. 2, 2008**

(30) **Foreign Application Priority Data**

Mar. 6, 2008 (JP) ..... 2008-5604

(51) **LOC (9) Cl.** ..... **12-09**

(52) **U.S. Cl.** ..... **D15/25**

(58) **Field of Classification Search** ..... D15/10,  
D15/22-26; 37/411, 379, 443, 347; 180/89.1,  
180/89.12, 89.13, 900, 9.1, 9.2, 9.62, 14 R,  
180/326; 414/694, 699, 722-724, 698, 719,  
414/743, 685-688

See application file for complete search history.

(56) **References Cited**

**U.S. PATENT DOCUMENTS**

4,376,612 A \* 3/1983 Yeou ..... 414/694  
D273,384 S \* 4/1984 Nasu et al. .... D15/24  
5,222,563 A \* 6/1993 Van Horlick ..... 172/111  
D338,019 S \* 8/1993 Bhambra ..... D15/25  
D391,272 S \* 2/1998 Jin et al. .... D15/25  
D406,152 S \* 2/1999 Miyaoka et al. .... D15/25  
D409,629 S \* 5/1999 Miyaoka et al. .... D15/25  
D431,253 S \* 9/2000 Marchetta et al. .... D15/25

6,170,588 B1 \* 1/2001 Irino et al. .... 180/89.1  
D437,602 S \* 2/2001 Hiraoka et al. .... D15/25  
D450,067 S \* 11/2001 Murakami et al. .... D15/25  
D450,331 S \* 11/2001 Murakami et al. .... D15/25  
D450,717 S \* 11/2001 Muraro ..... D15/25  
D460,462 S \* 7/2002 Miyanishi et al. .... D15/25  
D460,974 S \* 7/2002 Murakami et al. .... D15/25  
D460,975 S \* 7/2002 Yanagida et al. .... D15/25  
D462,973 S \* 9/2002 Tamaru et al. .... D15/25  
D462,974 S \* 9/2002 Yanagida et al. .... D15/25  
D463,455 S \* 9/2002 Yanagida et al. .... D15/25  
6,502,896 B1 \* 1/2003 Nakata et al. .... 296/190.05  
6,729,831 B1 \* 5/2004 Kawamura et al. .... 414/694  
D518,071 S \* 3/2006 Gwak et al. .... D15/25  
D555,675 S \* 11/2007 Matsubara et al. .... D15/25

\* cited by examiner

*Primary Examiner*—Stella M Reid

*Assistant Examiner*—Mark A Goodwin

(74) *Attorney, Agent, or Firm*—Sterne, Kessler, Goldstein & Fox P.L.L.C.

(57) **CLAIM**

The ornamental design for an excavator, as shown and described.

**DESCRIPTION**

FIG. 1 is a right front perspective view of an excavator showing our new design;

FIG. 2 is a front view thereof;

FIG. 3 is a rear view thereof;

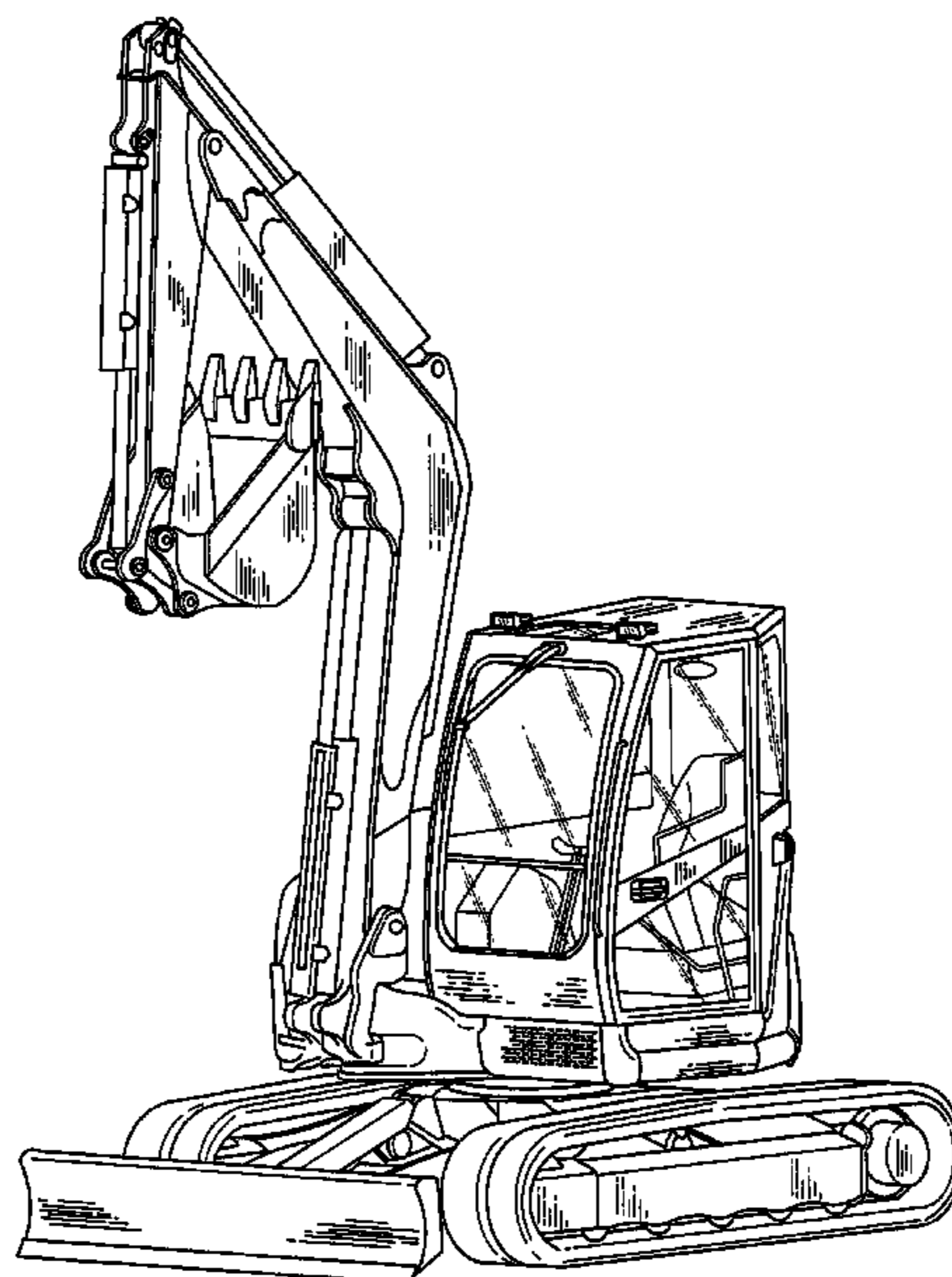
FIG. 4 is a left side view thereof;

FIG. 5 is right side view thereof;

FIG. 6 is a top plan view thereof; and,

FIG. 7 is a bottom plan view thereof.

**1 Claim, 7 Drawing Sheets**



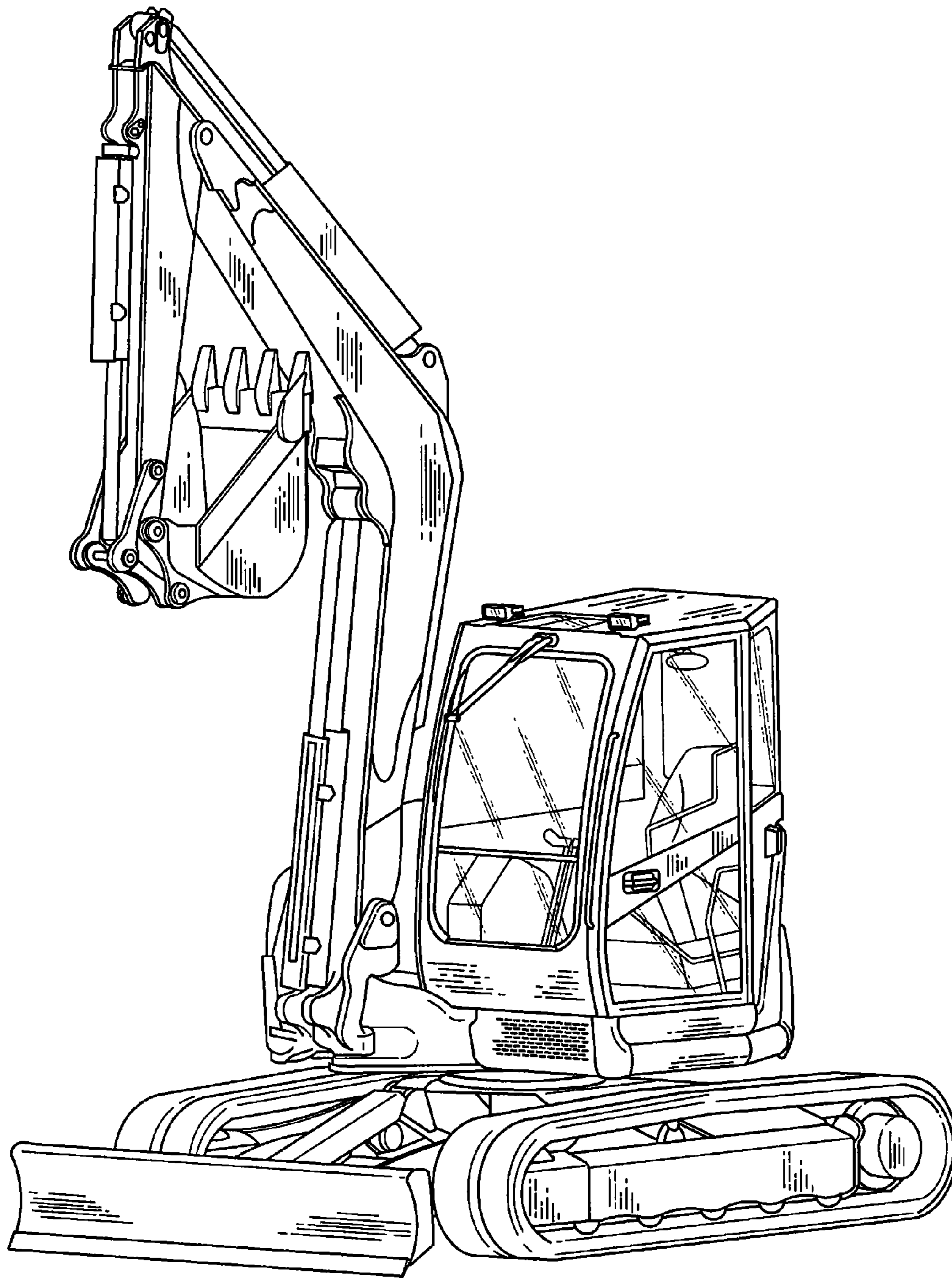


FIG. 1

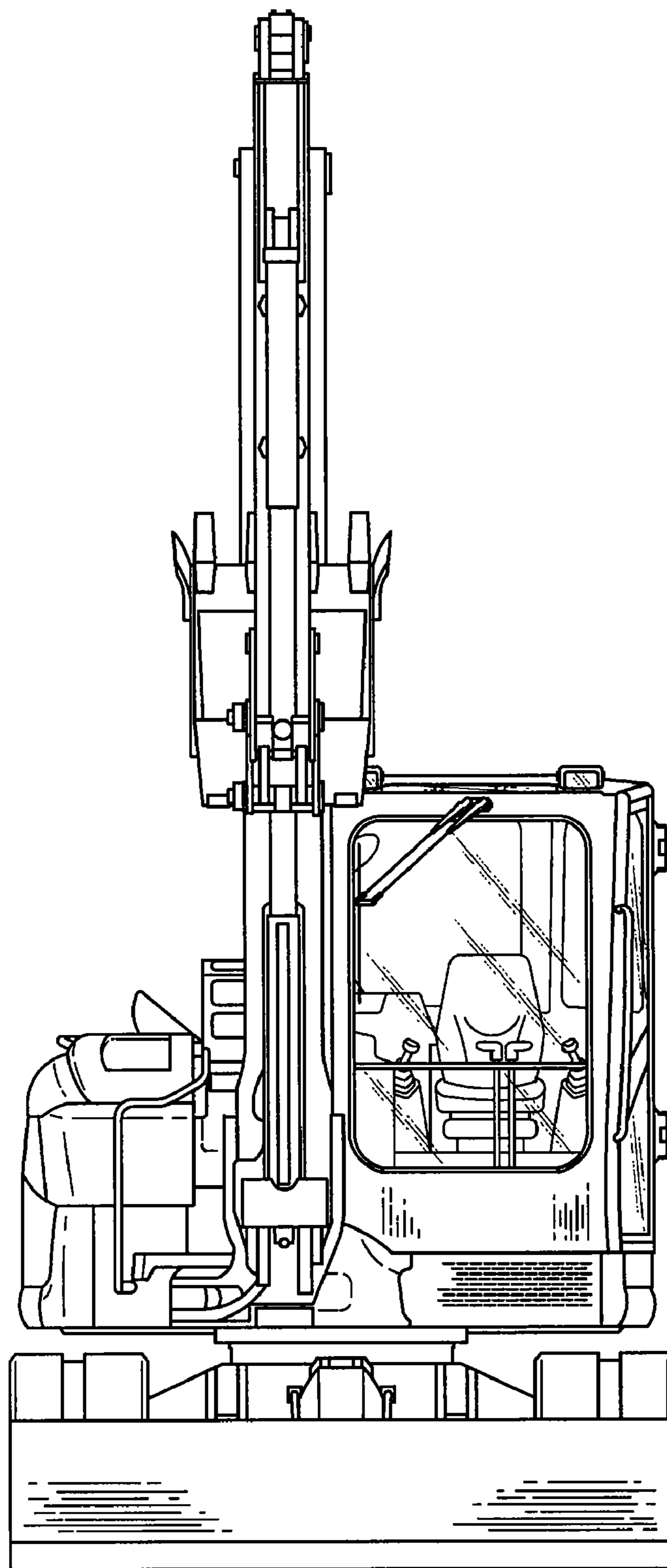


FIG. 2

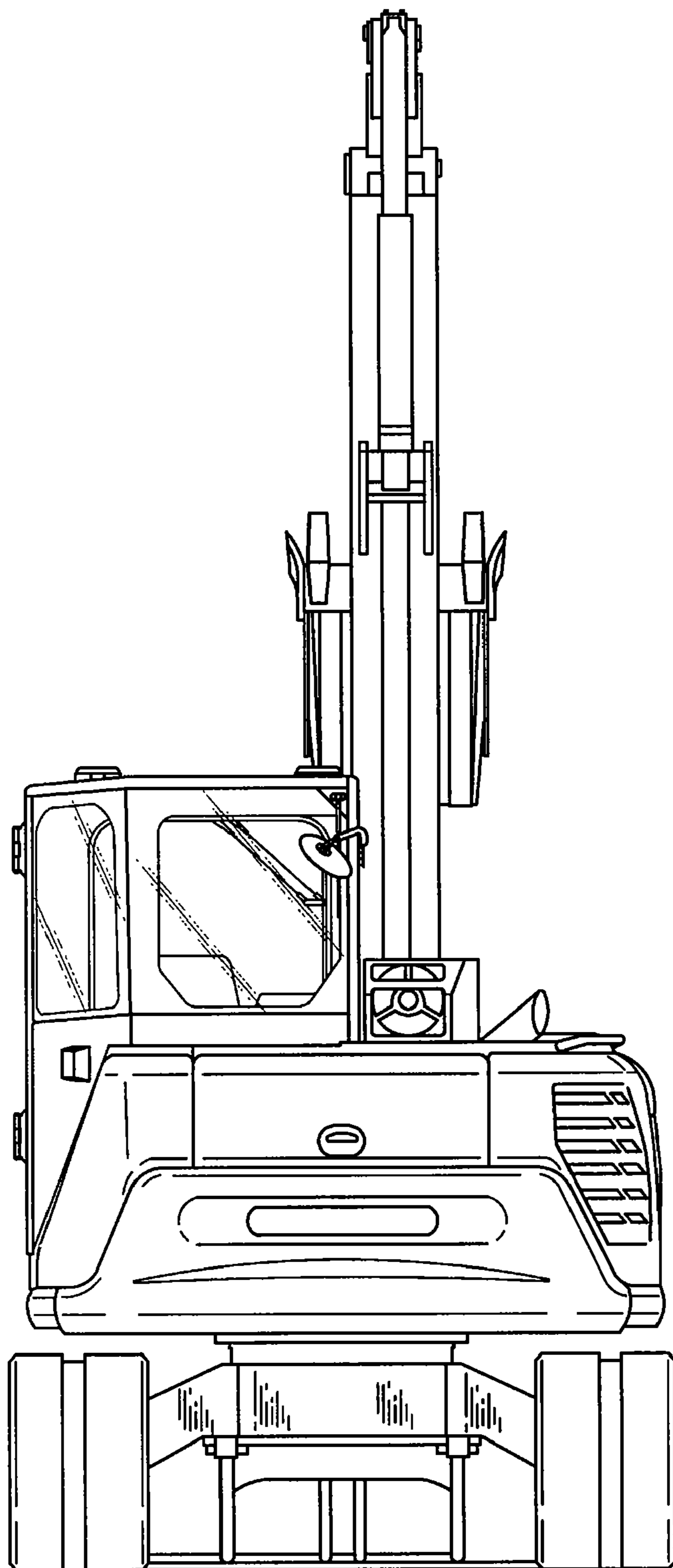


FIG. 3

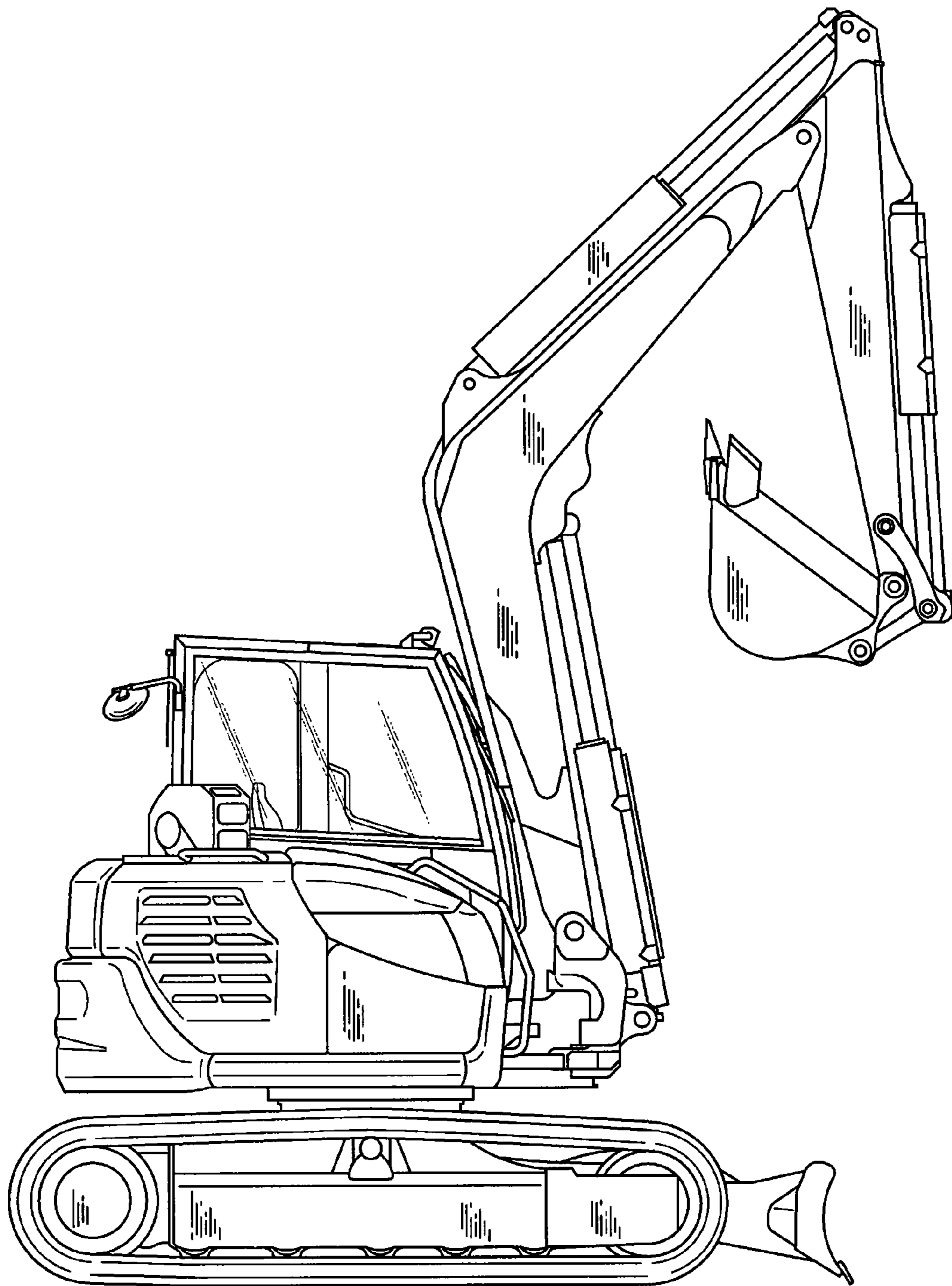


FIG. 4

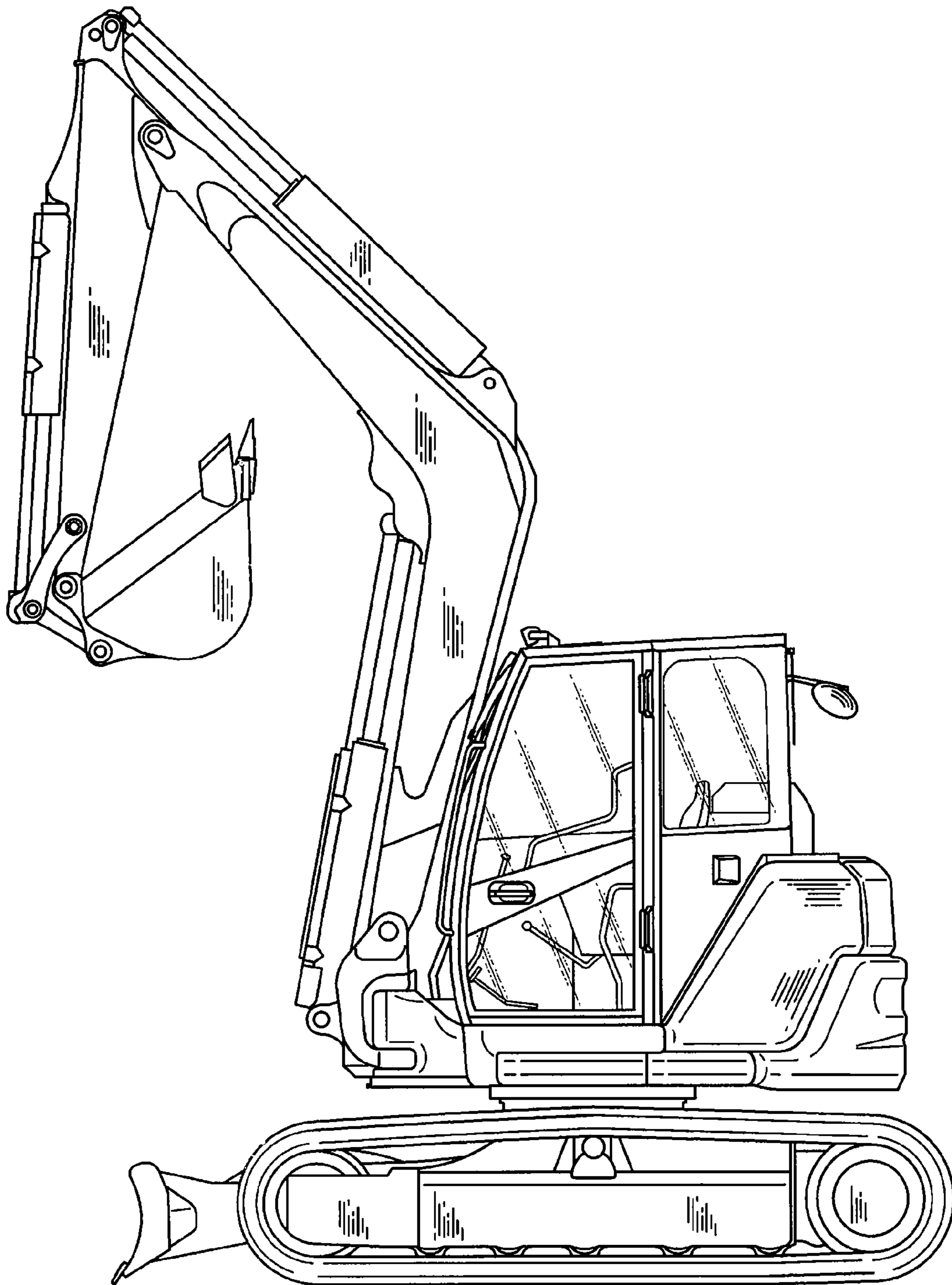


FIG. 5

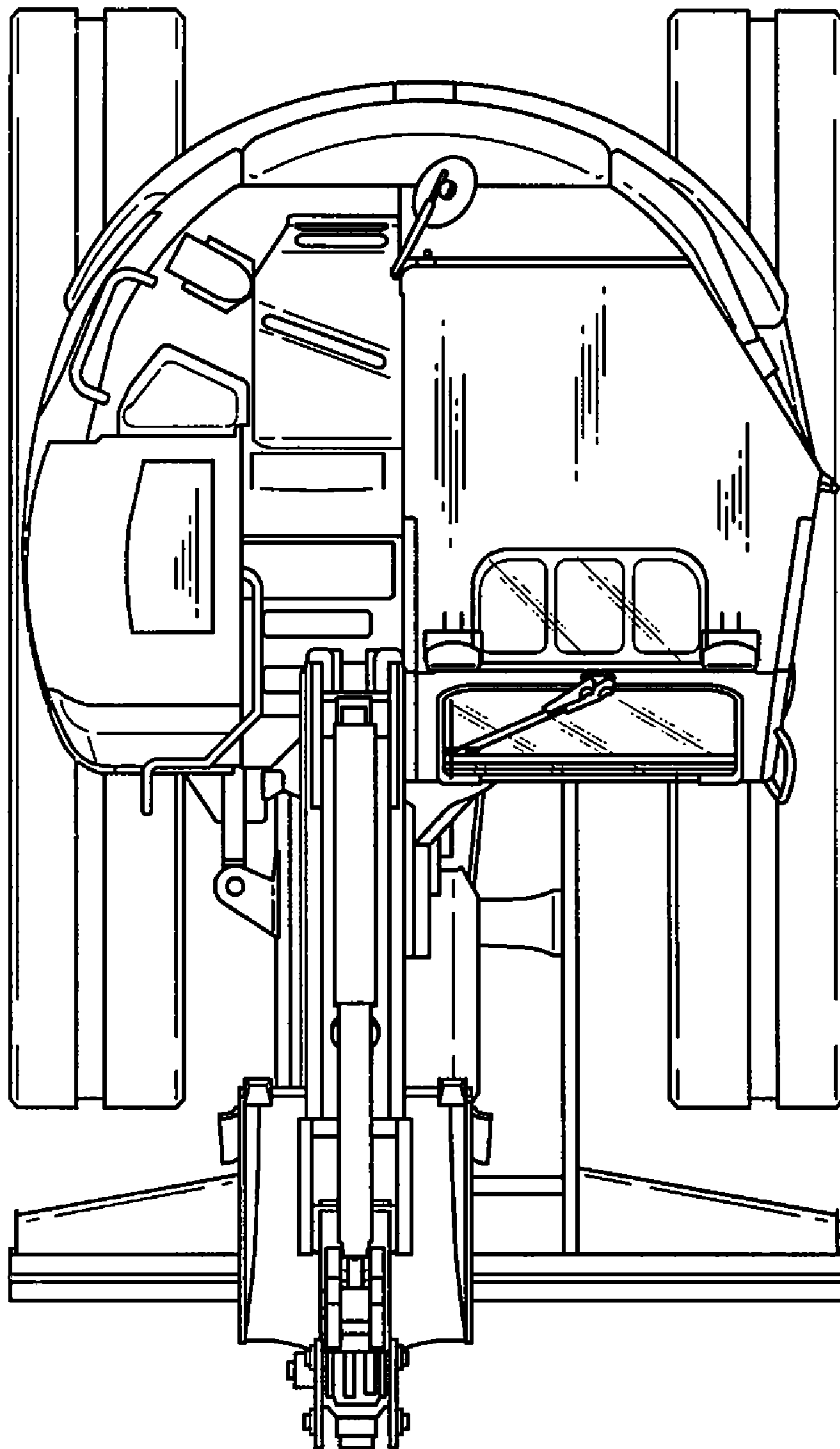


FIG. 6

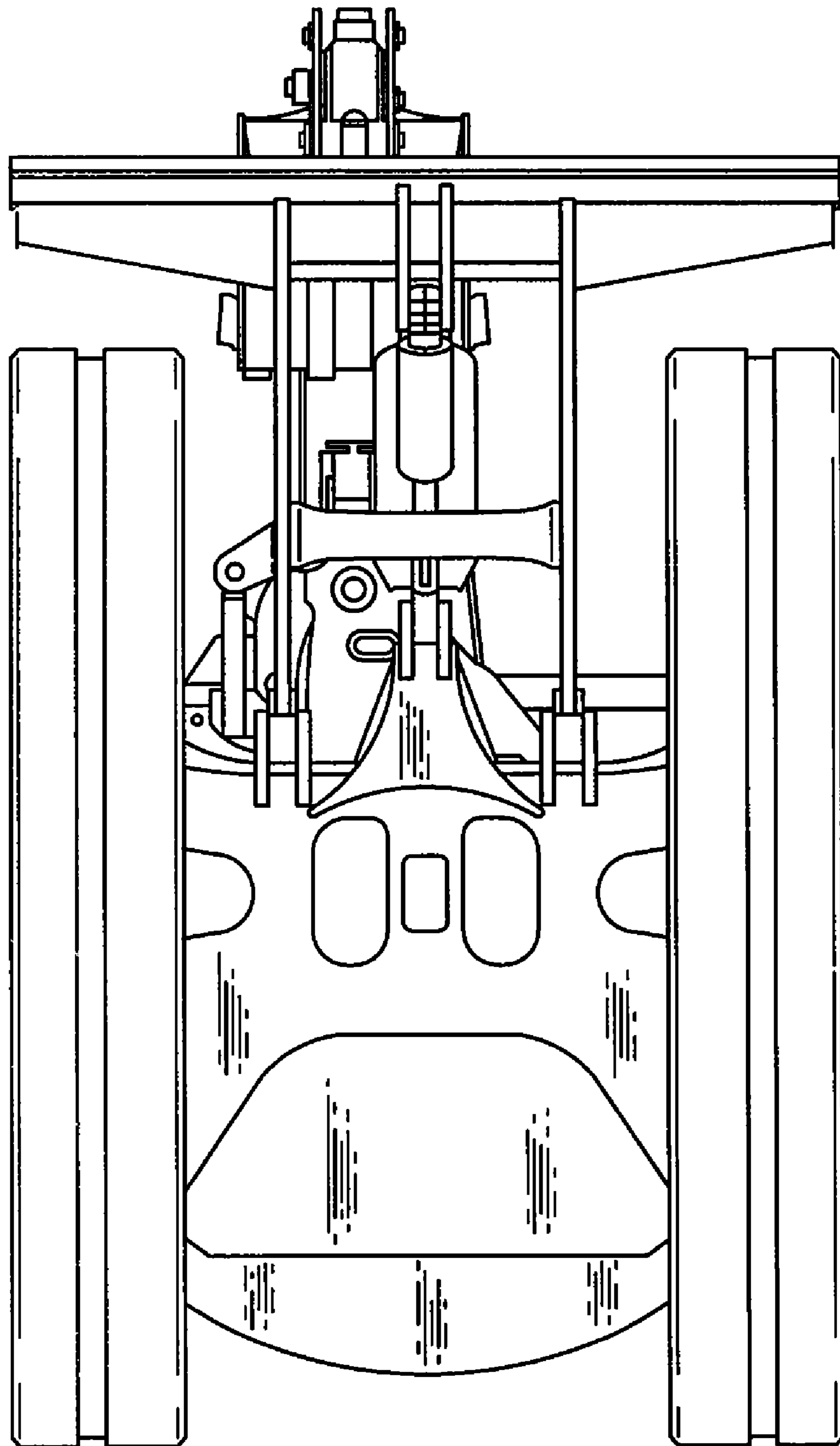


FIG. 7