



US00D590845S

(12) **United States Design Patent**
Ochi et al.

(10) **Patent No.:** **US D590,845 S**
(45) **Date of Patent:** **** Apr. 21, 2009**

(54) **TRAVELING BODY FOR CONSTRUCTION MACHINE**

D436,605 S * 1/2001 Shaw et al. D15/30
6,170,588 B1 * 1/2001 Irino et al. 180/89.1

(75) Inventors: **Tomohiko Ochi**, Hiroshima (JP);
Shintaro Sakitani, Hiroshima (JP)

(Continued)

(73) Assignee: **Kobelco Construcion Machinery Co., Ltd.**, Hiroshima-shi (JP)

FOREIGN PATENT DOCUMENTS

JP 1002843 2/1998
JP 1002843-1 3/1999
JP 1002843-2 3/1999
JP 1033812 3/1999
JP 1033812-1 3/1999

(**) Term: **14 Years**

(21) Appl. No.: **29/306,739**

(Continued)

(22) Filed: **Apr. 15, 2008**

OTHER PUBLICATIONS

U.S. Appl. No. 29/282,811, filed Jul. 30, 2007, Murakami, et al.

Related U.S. Application Data

(Continued)

(62) Division of application No. 29/282,799, filed on Jul. 30, 2007, now Pat. No. Des. 575,804.

(30) **Foreign Application Priority Data**

Jan. 31, 2007 (JP) 2007-001917
Jan. 31, 2007 (JP) 2007-001921
Jan. 31, 2007 (JP) 2007-001925

Primary Examiner—Stella M Reid
Assistant Examiner—Mark A Goodwin
(74) *Attorney, Agent, or Firm*—Oblon, Spivak, McClelland, Maier & Neustadt, P.C.

(57) **CLAIM**

(51) **LOC (9) Cl.** **12-09**

The ornamental design for a traveling body for construction machine, as shown and described.

(52) **U.S. Cl.** **D15/22; D15/24**

(58) **Field of Classification Search** D15/10,
D15/22–26, 28, 30, 33; 296/193.03, 193.08;
172/611, 776; 180/69.24, 89.1, 89.12, 889.13,
180/900, 326; 37/443, 379; 414/601, 602,
414/685, 687, 688, 694, 722–724, 699, 680,
414/698, 719, 743

DESCRIPTION

See application file for complete search history.

FIG. 1 is a top, front and right side perspective view of a traveling body for construction machine showing our new design;

FIG. 2 is a top, rear and left side perspective view thereof;

FIG. 3 is a front elevational view thereof;

FIG. 4 is a rear elevational view thereof;

FIG. 5 is a left side elevational side view thereof;

FIG. 6 is a right side elevational side view thereof;

FIG. 7 is a top plan view thereof; and,

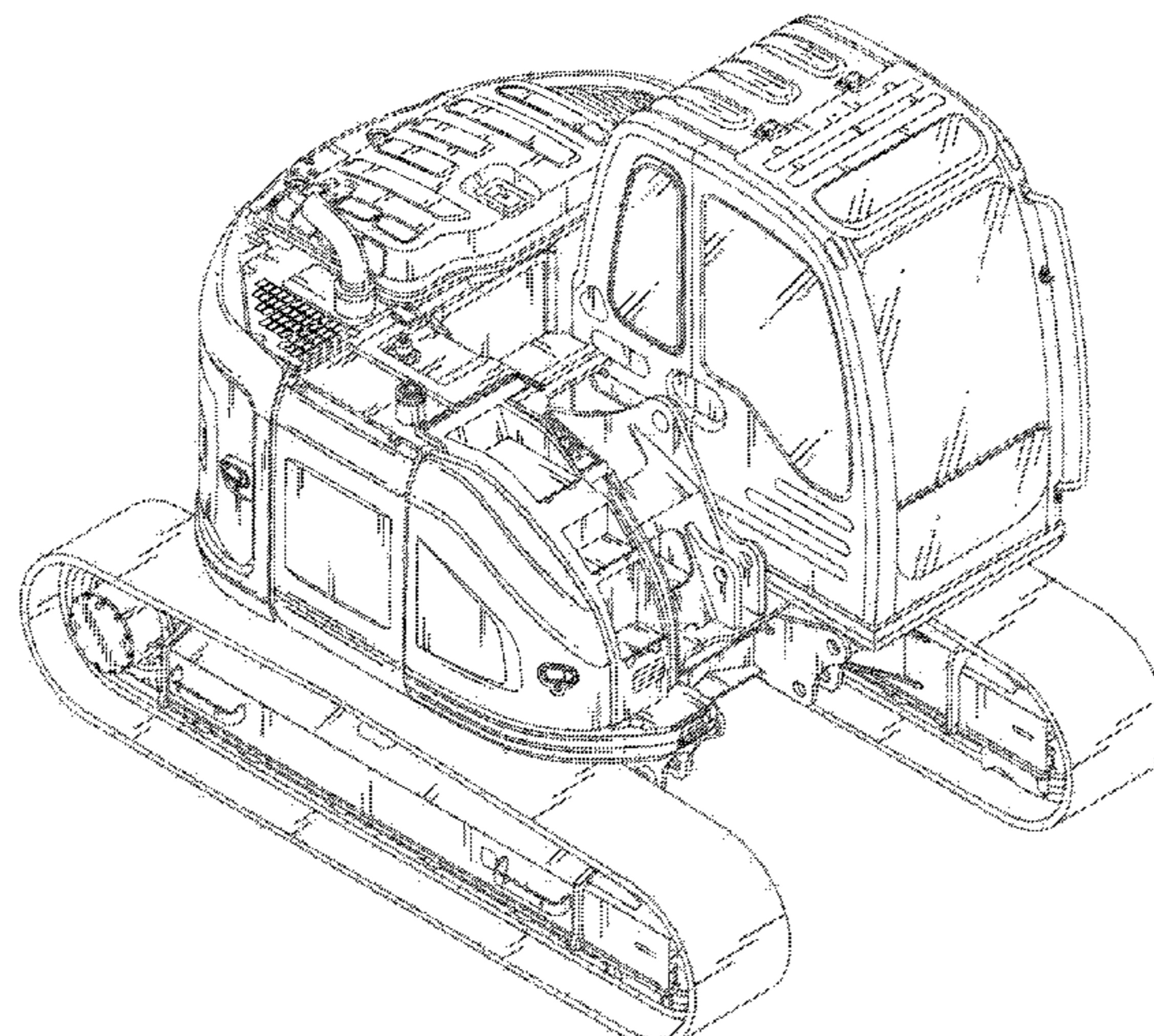
FIG. 8 is a bottom plan view thereof.

(56) **References Cited**

U.S. PATENT DOCUMENTS

D391,272 S * 2/1998 Jin et al. D15/25
D406,152 S * 2/1999 Miyaoka et al. D15/25
D431,253 S * 9/2000 Marchetta et al. D15/25
D432,144 S * 10/2000 Kraft et al. D15/30
D432,145 S * 10/2000 Kraft et al. D15/30
D433,689 S * 11/2000 Kraft et al. D15/30

1 Claim, 7 Drawing Sheets



US D590,845 S

Page 2

U.S. PATENT DOCUMENTS

D450,331 S * 11/2001 Murakami et al. D15/25
D460,974 S * 7/2002 Murakami et al. D15/25
6,502,896 B1 * 1/2003 Nakata et al. 296/190.05
D508,498 S * 8/2005 Shimokakiuchi et al. D15/24
D518,071 S * 3/2006 Gwak et al. D15/25

FOREIGN PATENT DOCUMENTS

JP 1033812-2 3/1999
JP 11-181834 7/1999
JP 1051423 10/1999
JP 1051423-1 10/1999
JP 1051424 10/1999

JP 1051424-1 10/1999
JP 1002843-3 4/2000

OTHER PUBLICATIONS

U.S. Appl. No. 29/282,810, filed Jul. 30, 2007, Murakami, et al.
U.S. Appl. No. 29/282,816, filed Jul. 30, 2007, Murakami, et al.
U.S. Appl. No. 29/306,788, filed Apr. 16, 2008, Murakami, et al.
U.S. Appl. No. 29/306,791, filed Apr. 16, 2008, Murakami, et al.
U.S. Appl. No. 29/306,736, filed Apr. 15, 2008, Murakami, et al.
U.S. Appl. No. 29/306,739, filed Apr. 15, 2008, Murakami, et al.
U.S. Appl. No. 29/306,796, filed Apr. 16, 2008, Murakami, et al.
U.S. Appl. No. 29/306,793, filed Apr. 16, 2008, Murakami, et al.

* cited by examiner

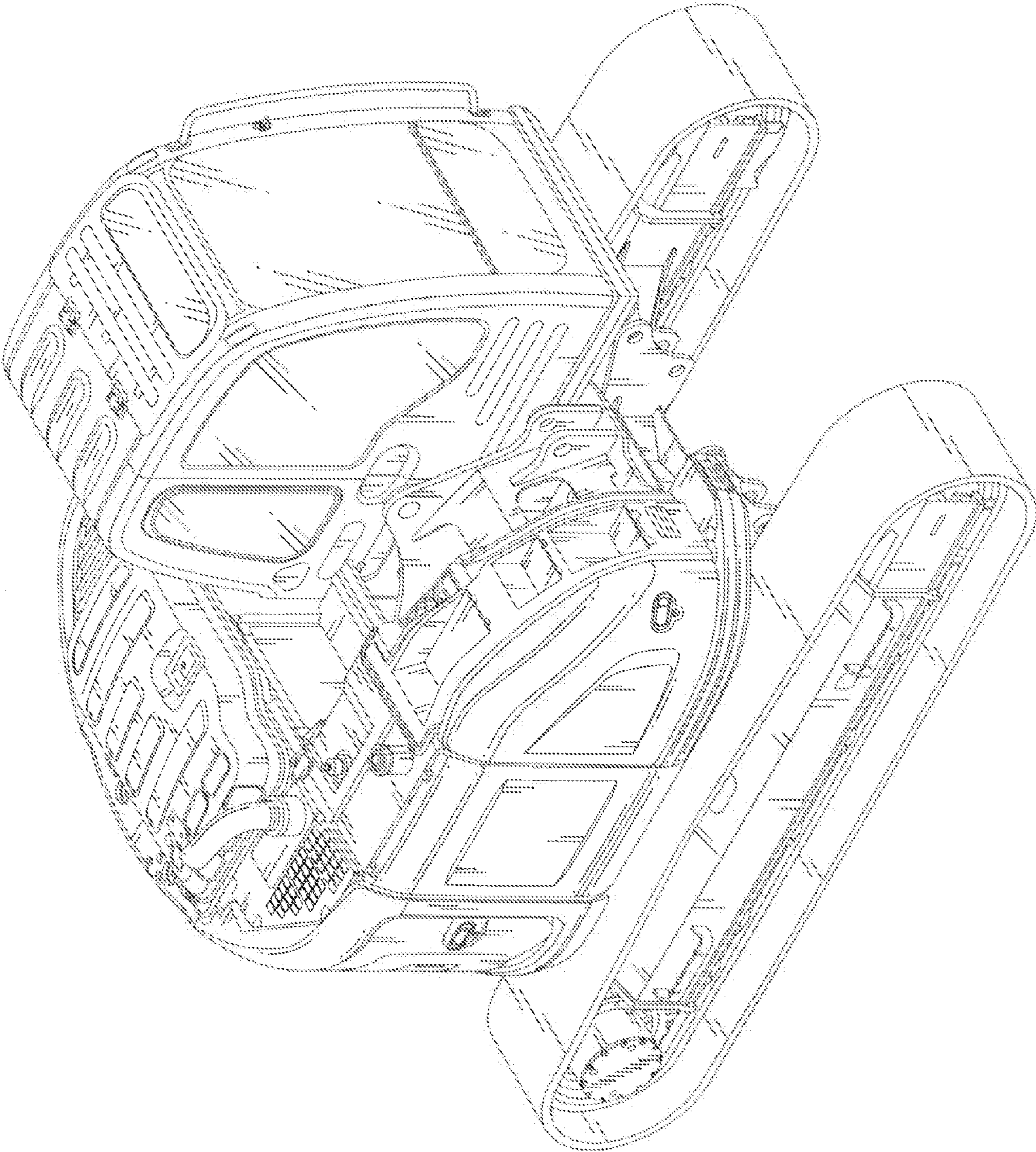
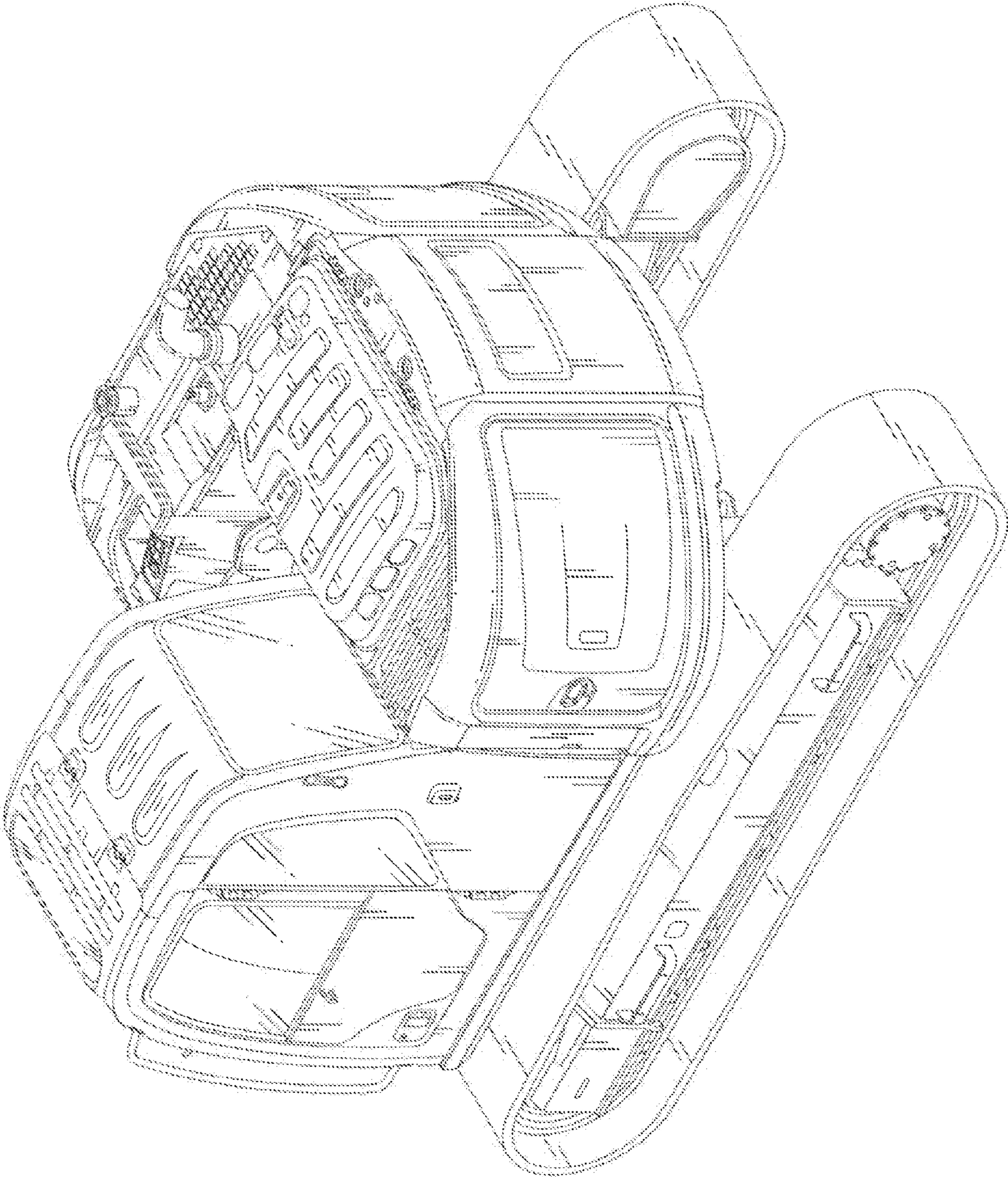


FIG.1

FIG.2



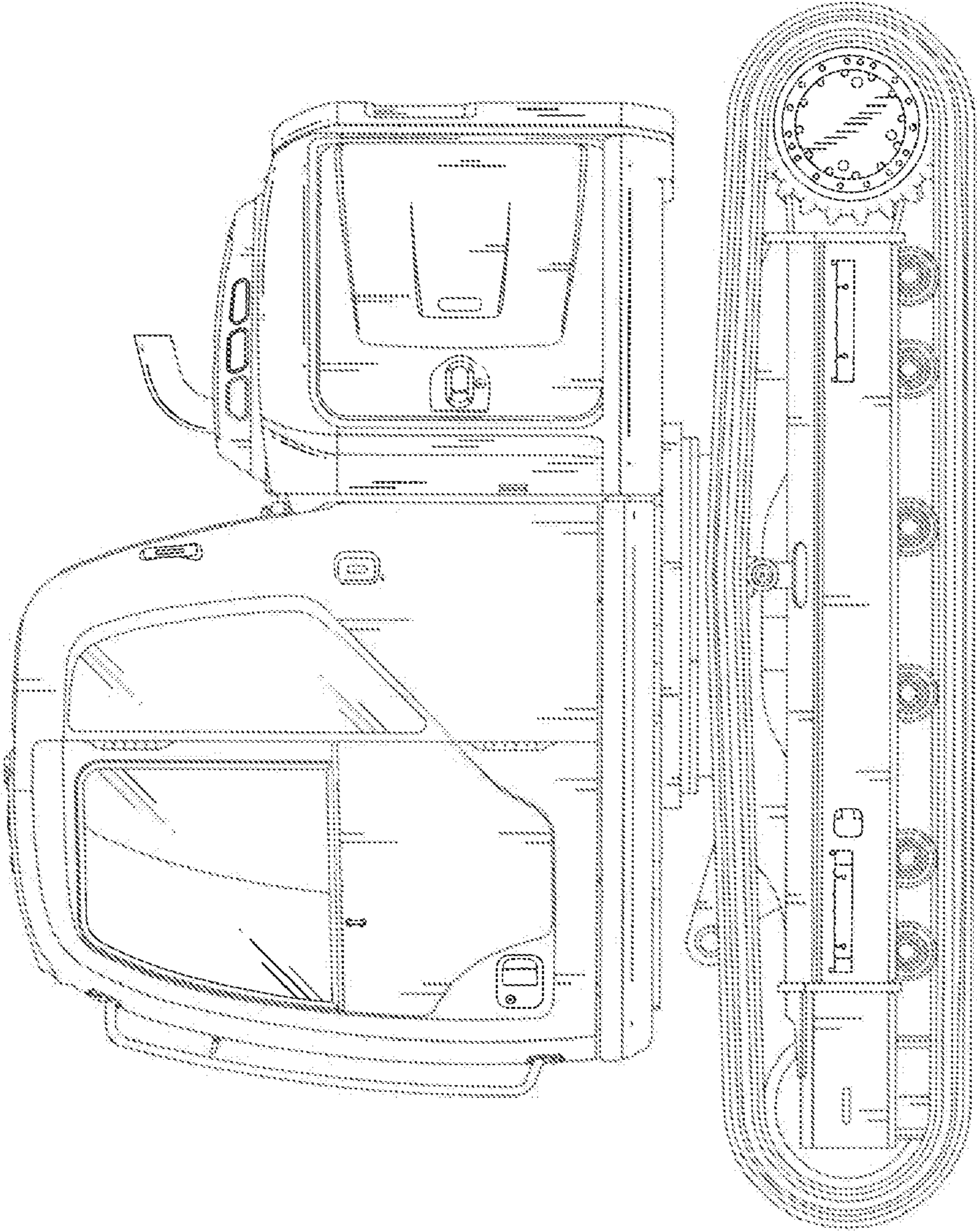


FIG. 3

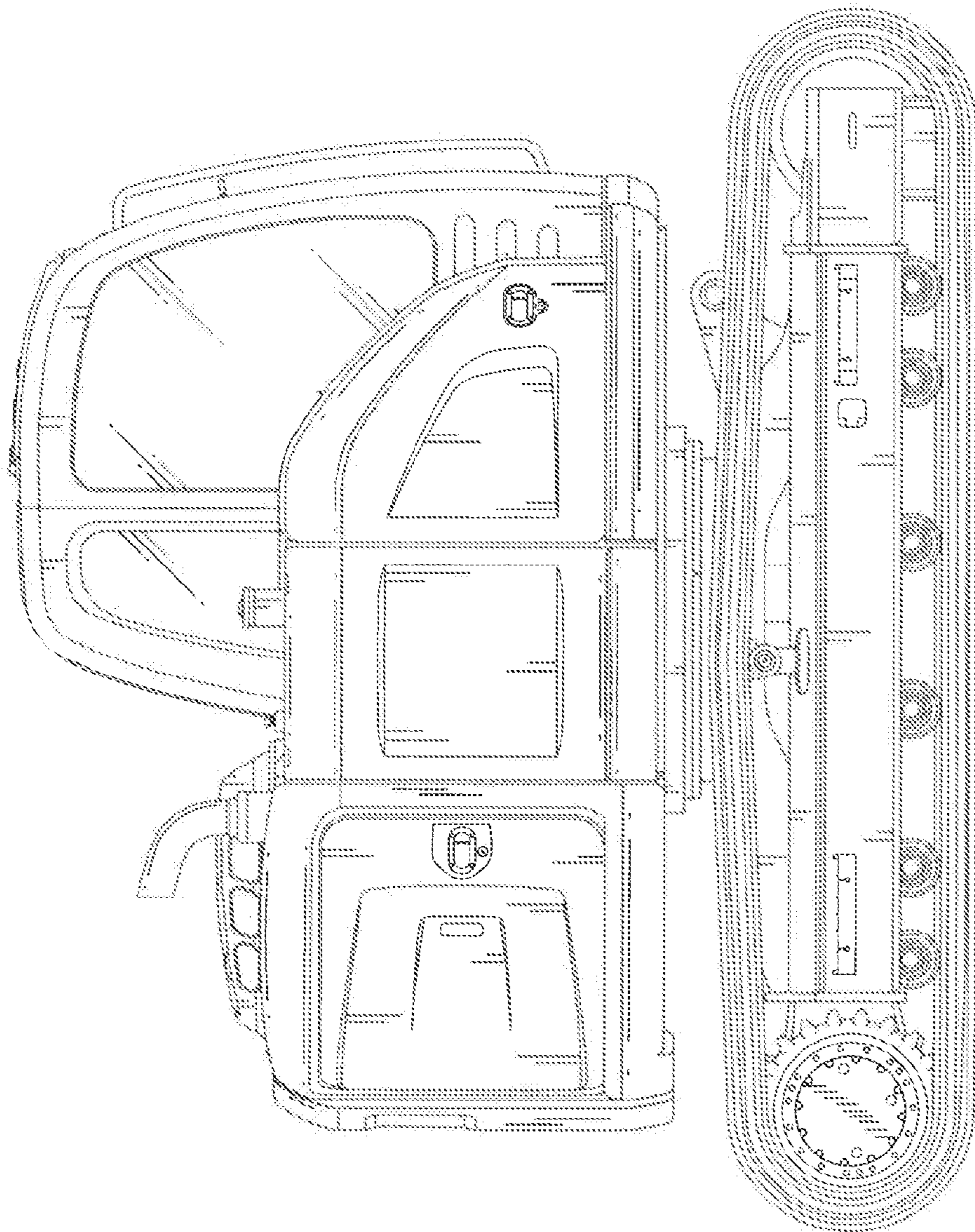


FIG.4

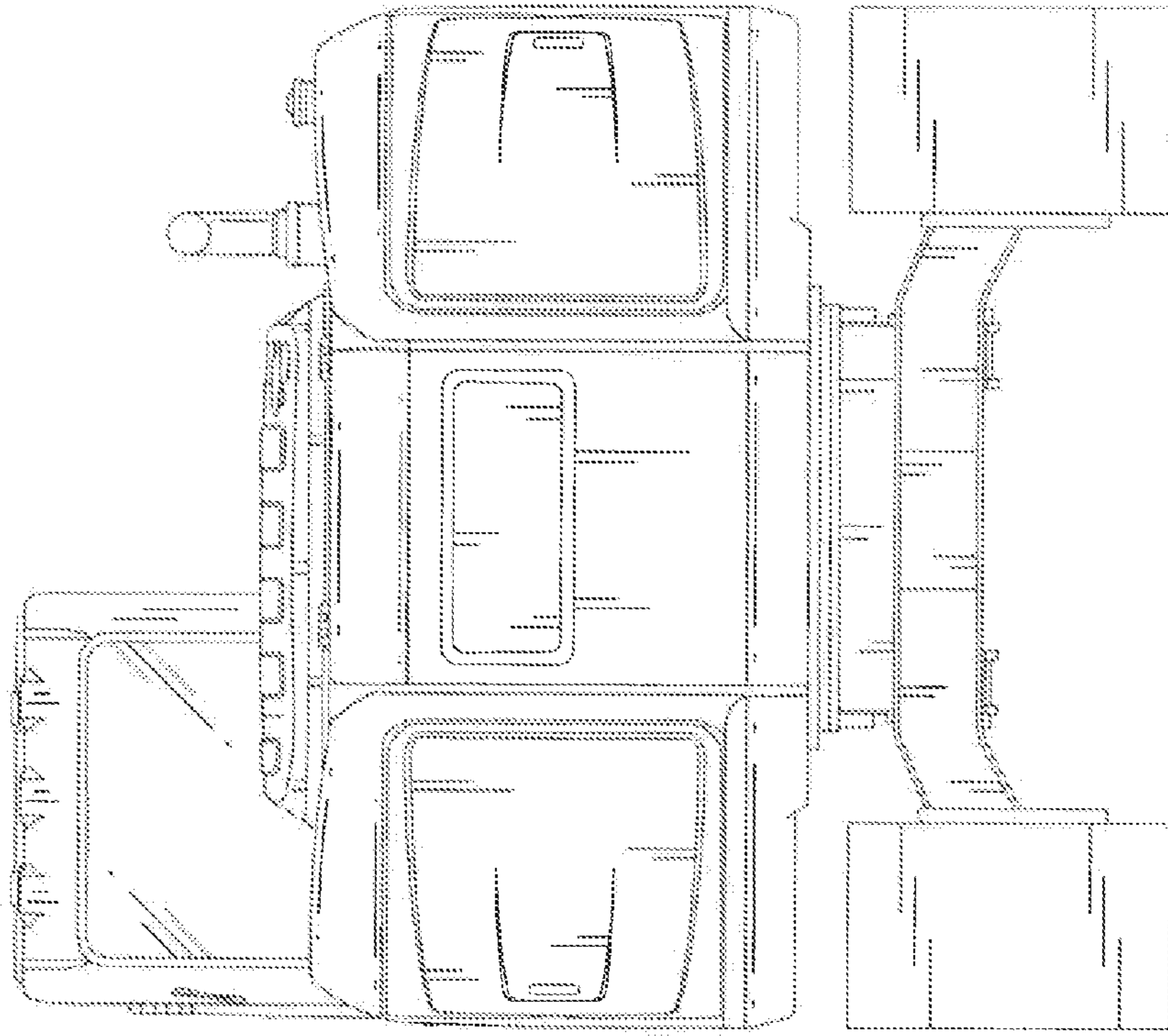


FIG. 5

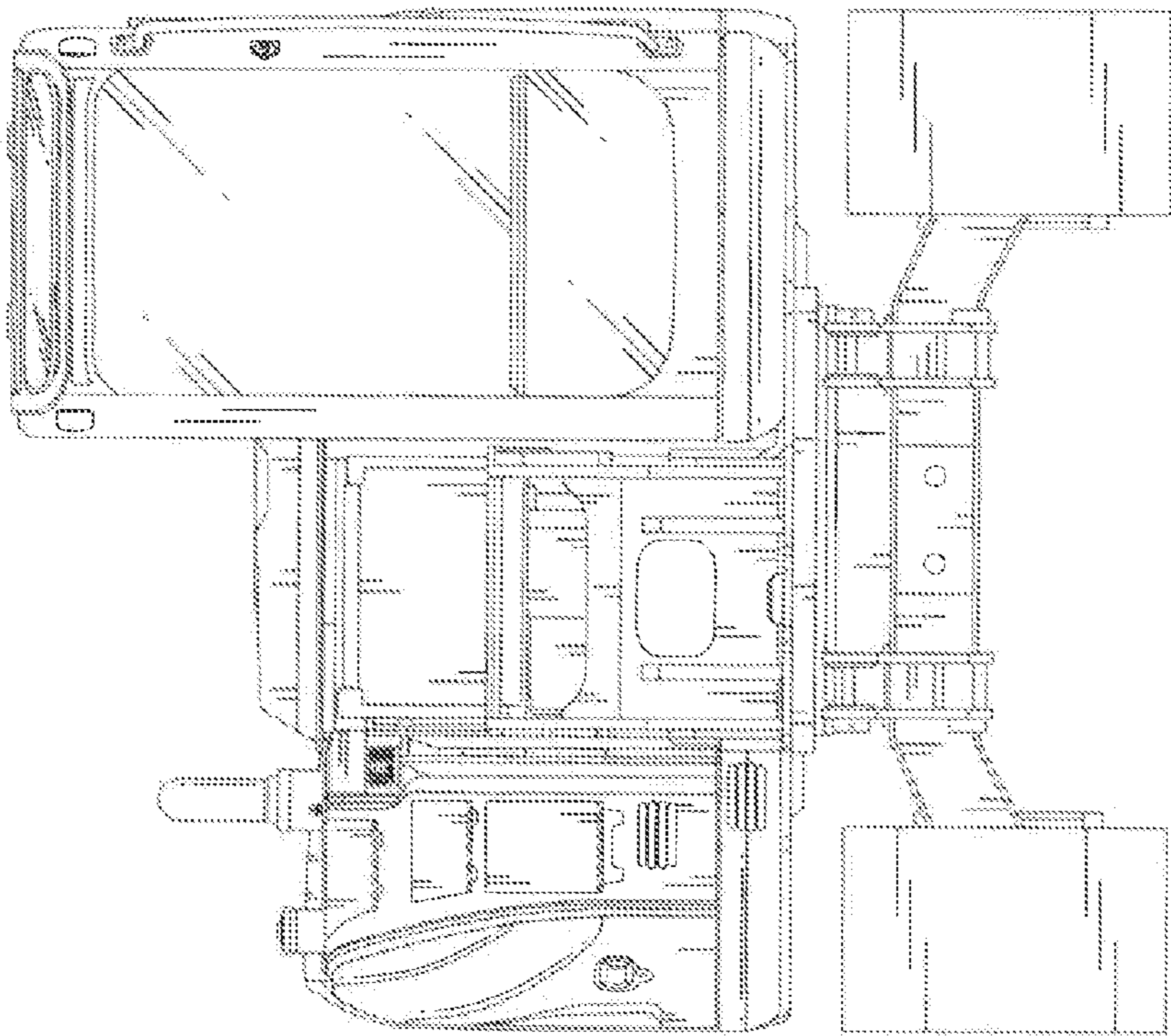


FIG. 6

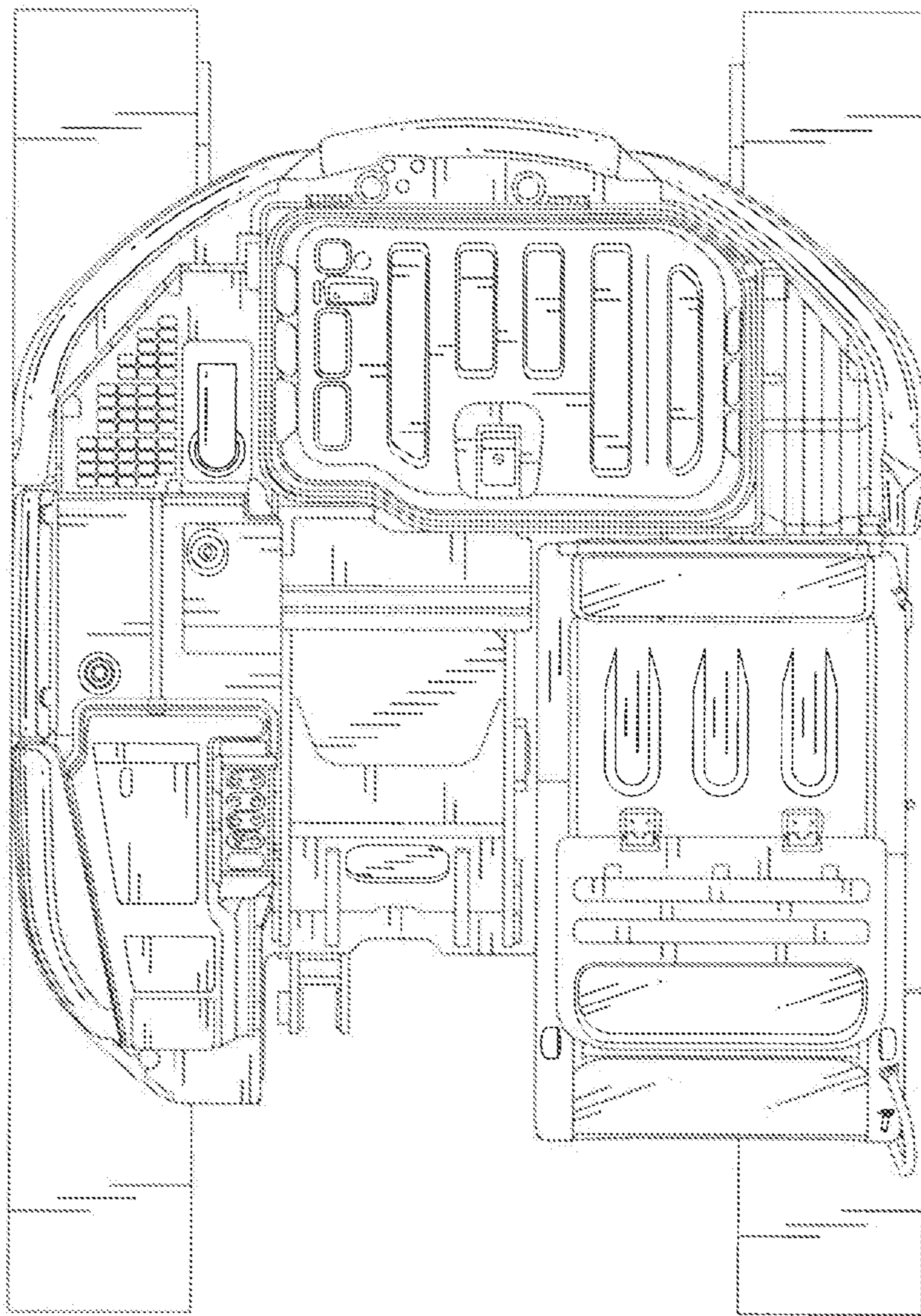


FIG.7

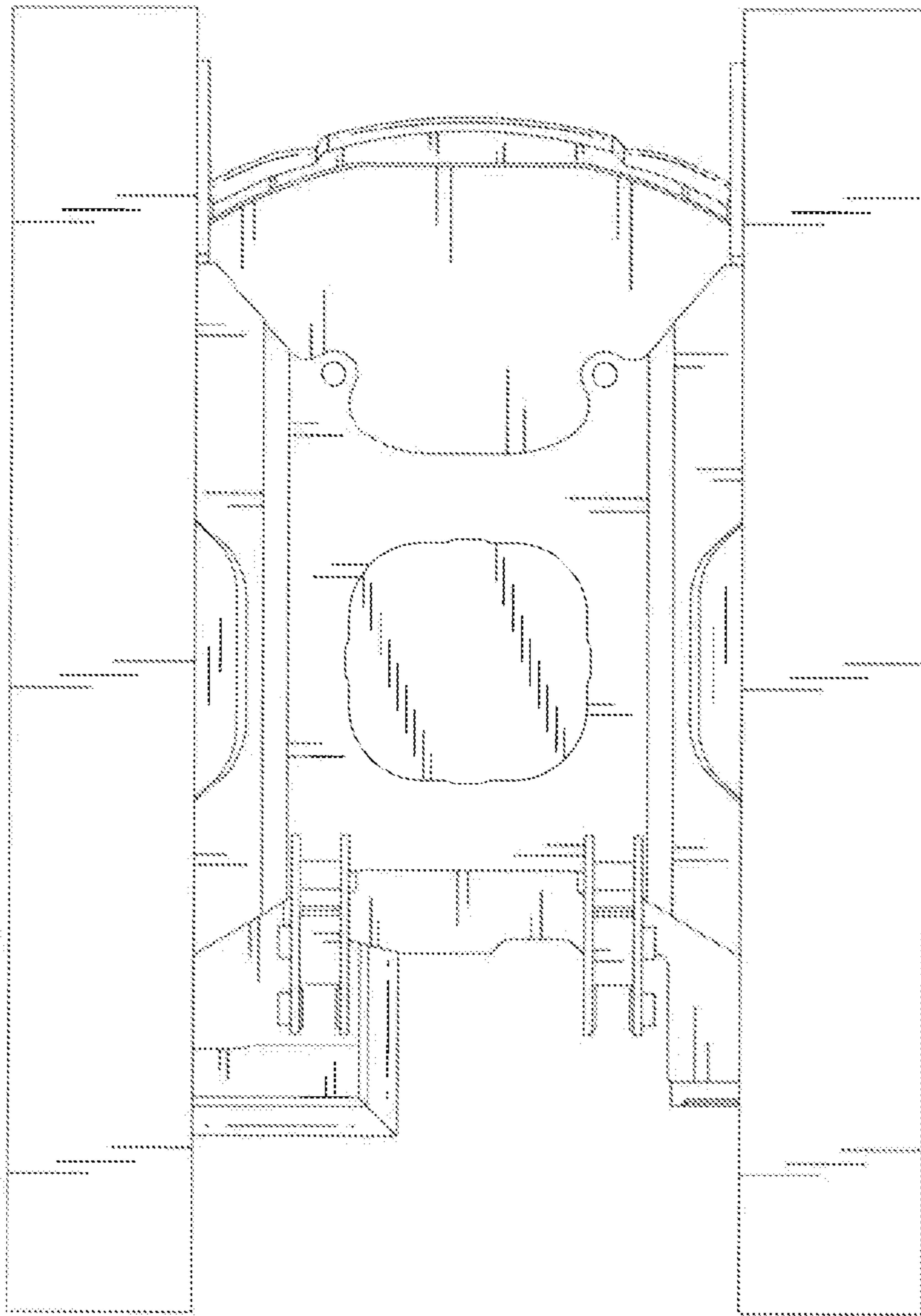


FIG. 8

UNITED STATES PATENT AND TRADEMARK OFFICE
CERTIFICATE OF CORRECTION

PATENT NO. : Des. 590,845 S
APPLICATION NO. : 29/306739
DATED : April 21, 2009
INVENTOR(S) : Ochi et al.

Page 1 of 1

It is certified that error appears in the above-identified patent and that said Letters Patent is hereby corrected as shown below:

On the title page, Item (73), the Assignee information is incorrect. Item (73) should read:

-- (73) Assignee: **Kobelco Construction Machinery Co.,
Ltd., Hiroshima-shi (JP)** --

Signed and Sealed this

Twenty-sixth Day of May, 2009



JOHN DOLL
Acting Director of the United States Patent and Trademark Office