



US00D590844S

(12) **United States Design Patent**  
**Eavenson, Sr. et al.**

(10) **Patent No.:** **US D590,844 S**  
(45) **Date of Patent:** **\*\* Apr. 21, 2009**

(54) **LAWN MOWER DECK**

(75) Inventors: **Jimmy N. Eavenson, Sr.**, Aurora, OH  
(US); **Jeffrey Blaine Mattern**, Mantua,  
OH (US)

(73) Assignee: **MTD Products Inc**, Valley City, OH  
(US)

(\*\*) Term: **14 Years**

(21) Appl. No.: **29/292,934**

(22) Filed: **Nov. 1, 2007**

(51) **LOC (9) Cl.** ..... **15-03**

(52) **U.S. Cl.** ..... **D15/14; D15/17**

(58) **Field of Classification Search** ..... D15/14-17;  
56/6, 13.3, 13.4, 15.8, 16.7, 17.1, 202, 255,  
56/320, 320.1, 15.6, 15.2, DIG. 14  
See application file for complete search history.

(56) **References Cited**

**U.S. PATENT DOCUMENTS**

D179,724 S *	2/1957	Goodall	.....	D15/17
D208,364 S *	8/1967	Koss	.....	D15/27
D227,498 S *	6/1973	McCanse et al.	.....	D15/14
3,736,735 A *	6/1973	Kulak et al.	.....	56/13.6
4,854,112 A *	8/1989	Holley et al.	.....	56/6
D305,336 S *	1/1990	Berg et al.	.....	D15/14
4,912,915 A *	4/1990	Smit	.....	56/6
4,991,382 A *	2/1991	Scag	.....	56/10.9
D316,101 S *	4/1991	McCanse et al.	.....	D15/27
D331,243 S *	11/1992	Woodhouse	.....	D15/15
D340,936 S *	11/1993	Matsuda et al.	.....	D15/15
5,822,961 A *	10/1998	Busboom	.....	56/11.4
5,865,020 A *	2/1999	Busboom et al.	.....	56/320.1
5,884,460 A *	3/1999	Serravalle et al.	.....	56/1
D409,208 S *	5/1999	Eavenson et al.	.....	D15/15
D415,503 S *	10/1999	Eavenson et al.	.....	D15/14
D424,071 S *	5/2000	Bickford et al.	.....	D15/17

D435,564 S *	12/2000	Klasson	.....	D15/17
D445,432 S *	7/2001	Bickford	.....	D15/27
6,609,358 B1 *	8/2003	Schmidt et al.	.....	56/320.2
D501,215 S *	1/2005	Steele et al.	.....	D15/17
7,174,700 B2 *	2/2007	Chenevert et al.	.....	56/2
7,204,073 B1 *	4/2007	Chenevert	.....	56/320.2
2002/0023420 A1 *	2/2002	Ferris et al.	.....	56/15.8
2002/0053194 A1 *	5/2002	Bergsten et al.	.....	56/6
2002/0194827 A1 *	12/2002	Eavenson et al.	.....	56/17.2
2003/0010008 A1 *	1/2003	Atterbury et al.	.....	56/16.7
2004/0182059 A1 *	9/2004	Bland et al.	.....	56/15.6
2004/0231311 A1 *	11/2004	Kallevig	.....	56/320.2
2006/0037299 A1 *	2/2006	Kallevig	.....	56/15.7
2006/0248869 A1 *	11/2006	Chenevert et al.	.....	56/320.1
2007/0039304 A1 *	2/2007	Wright et al.	.....	56/14.9
2008/0047249 A1 *	2/2008	Davis et al.	.....	56/320.2

\* cited by examiner

*Primary Examiner*—Stella M Reid

*Assistant Examiner*—Mark A Goodwin

(74) *Attorney, Agent, or Firm*—Wegman, Hessler & Vanderburg

(57) **CLAIM**

The ornamental design for a lawn mower deck, as shown and described.

**DESCRIPTION**

FIG. 1 is a perspective view of a lawn mower deck, showing our new design;

FIG. 2 is a top view thereof;

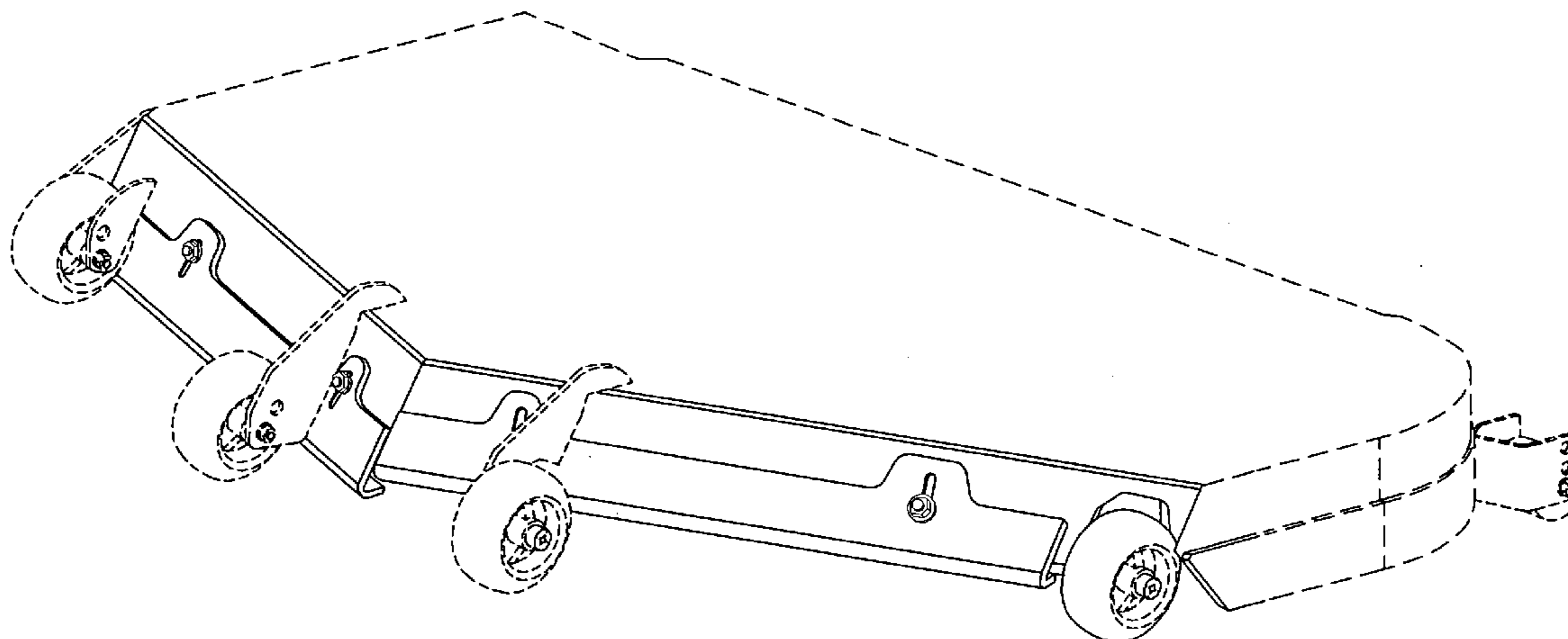
FIG. 3 is a bottom view thereof;

FIG. 4 is a front view thereof; and,

FIG. 5 is an enlarged side view thereof.

Phantom lining, where utilized, is for illustrative purposes only and forms no part of the claimed design.

**1 Claim, 5 Drawing Sheets**



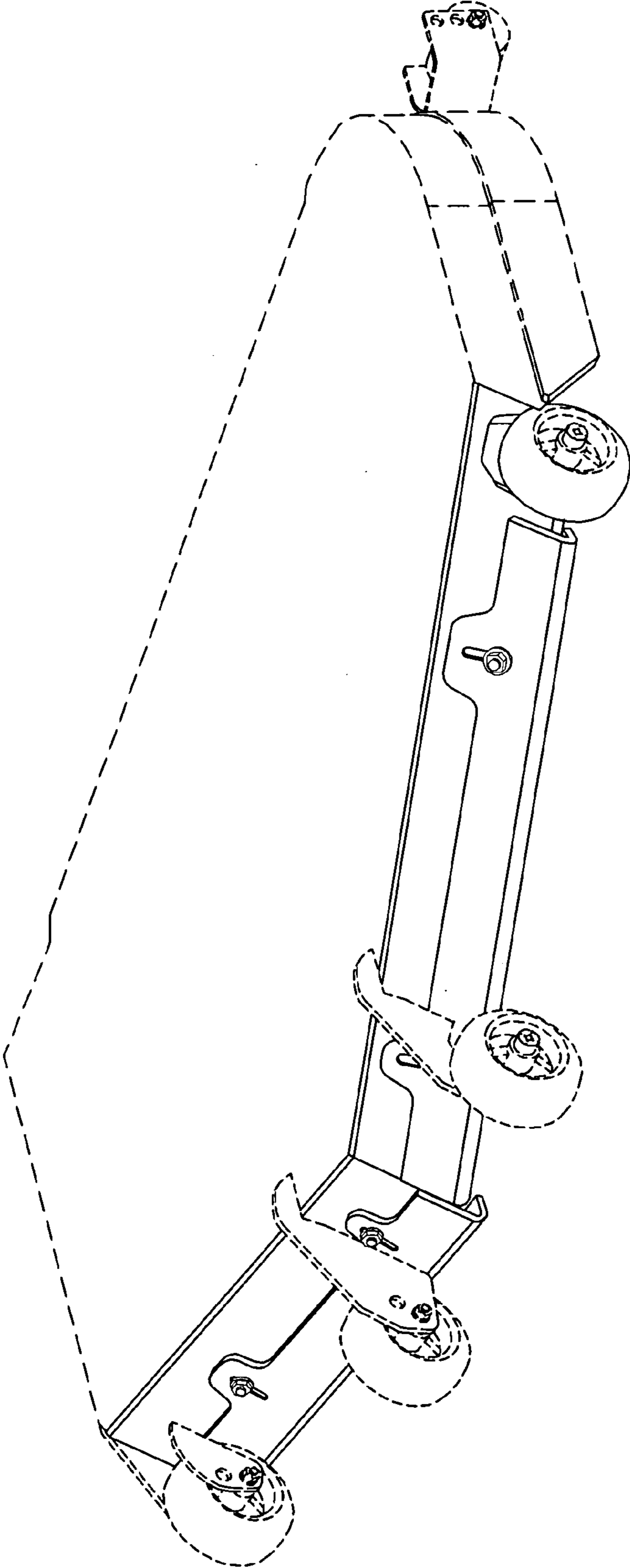


FIG.-I

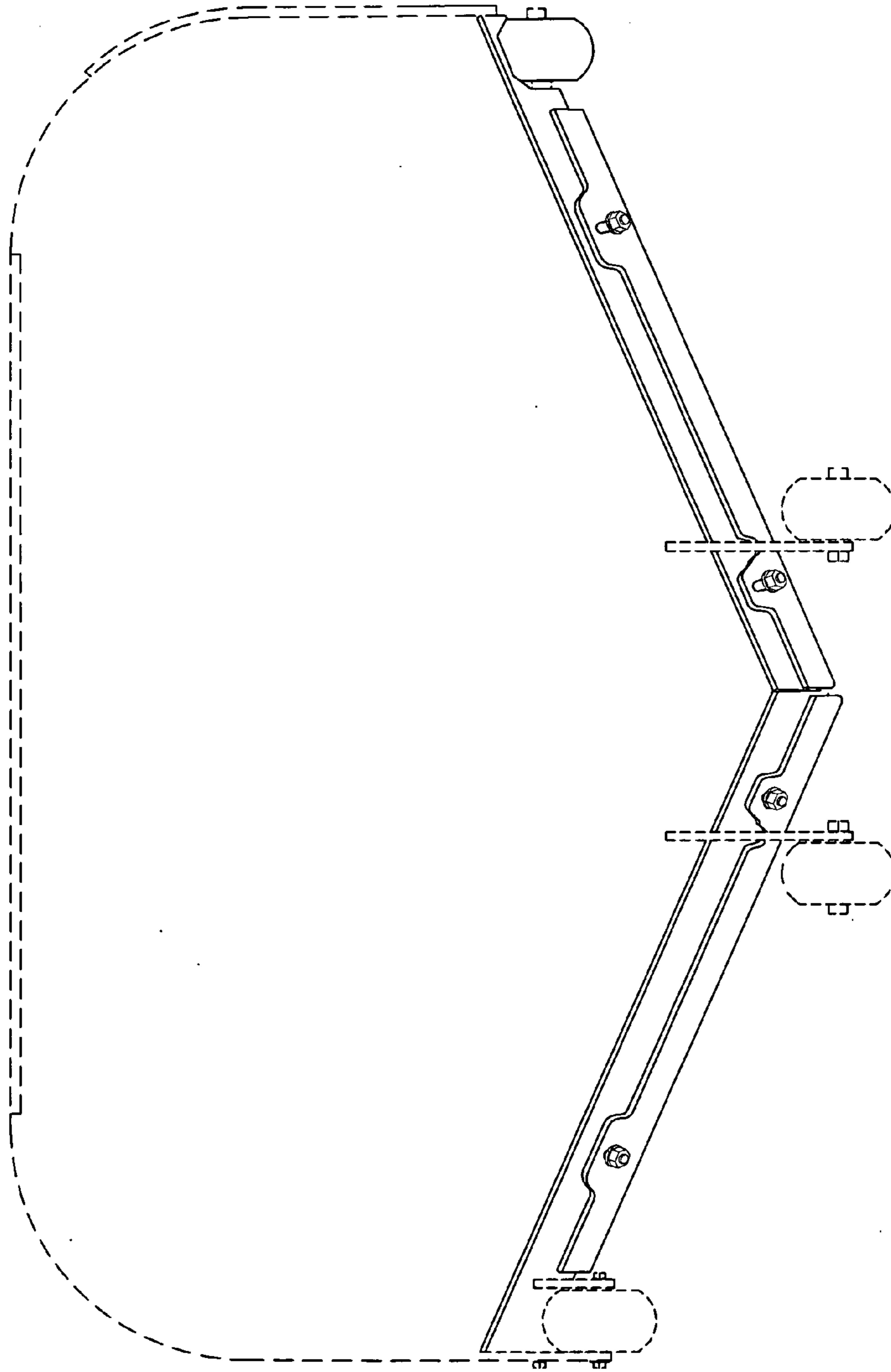


FIG.-2

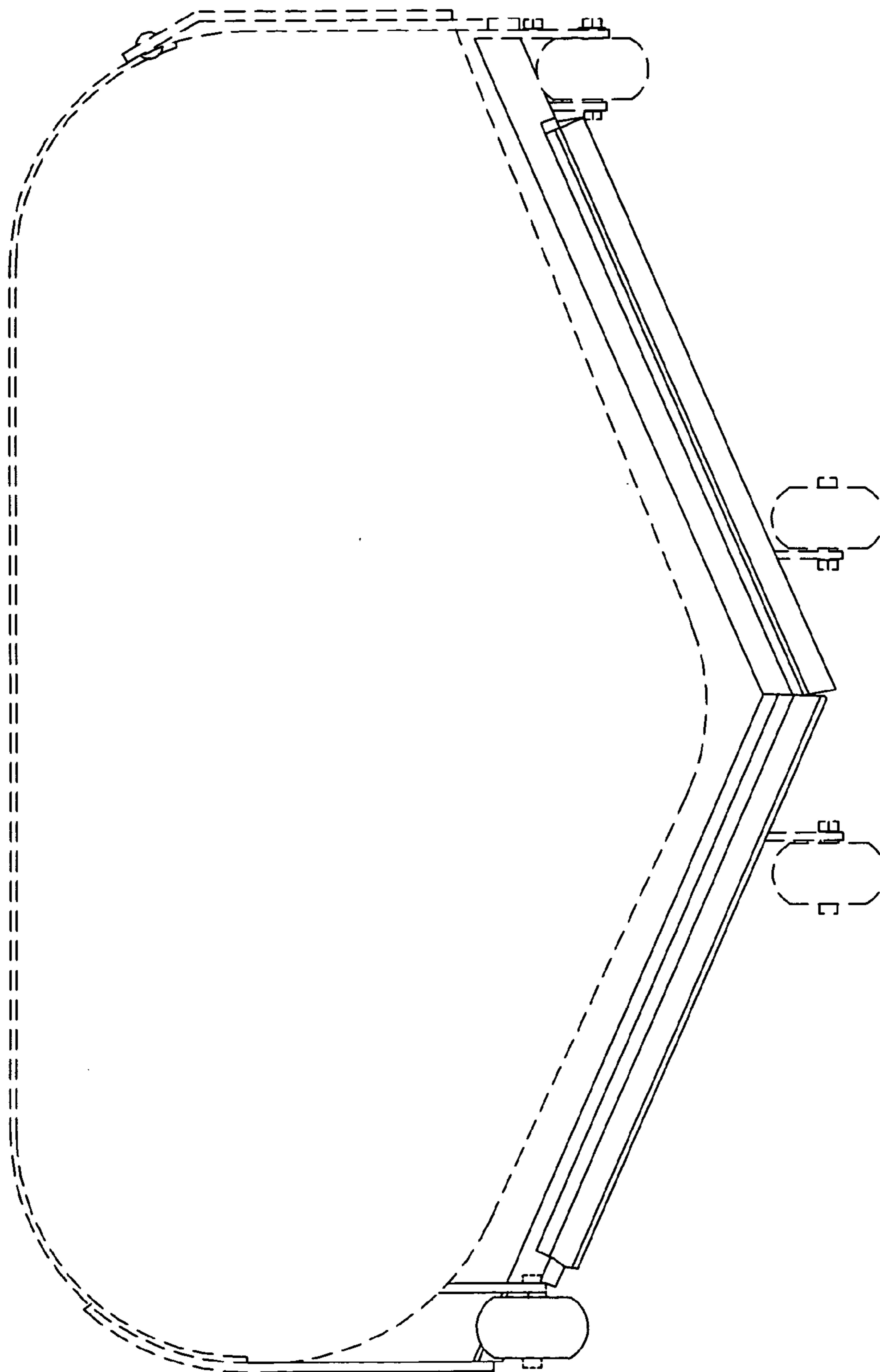


FIG.-3

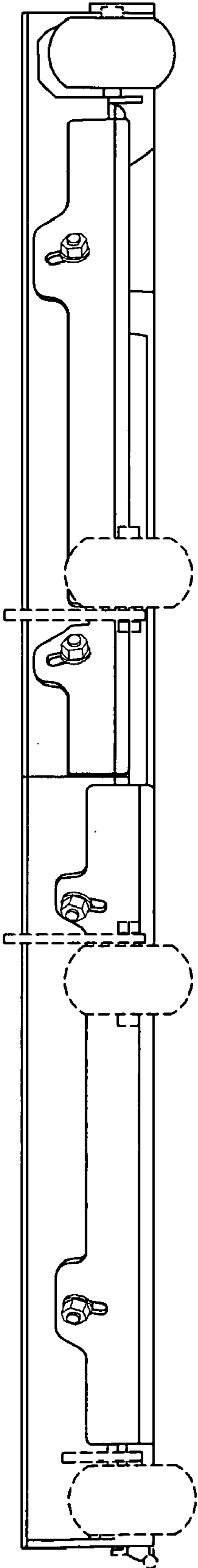


FIG.-4

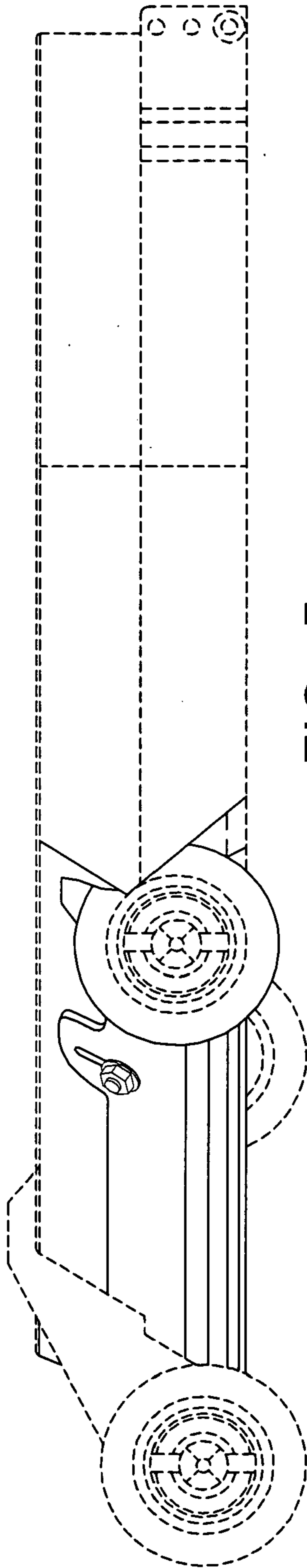


FIG.-5