

US00D590842S

(12) **United States Design Patent**  
**Clark et al.**

(10) **Patent No.:** **US D590,842 S**  
(45) **Date of Patent:** **\*\* Apr. 21, 2009**

(54) **PUMP**

(75) Inventors: **Dwayne Emory Clark**, Summerfield, NC (US); **Joel Brent Bowman**, Winston Salem, NC (US); **Gary Ortiz**, Clemmons, NC (US); **Ronald H. Griffin**, Boonville, NC (US)

(73) Assignee: **Hayward Industries, Inc.**, Elizabeth, NJ (US)

(\*\*) Term: **14 Years**

(21) Appl. No.: **29/302,023**

(22) Filed: **Jan. 9, 2008**

(51) **LOC (9) Cl.** ..... **15-02**

(52) **U.S. Cl.** ..... **D15/7**

(58) **Field of Classification Search** ..... D15/7-9;  
D23/231, 232; 417/410.1, 359, 415-416,  
417/234, 321, 265, 405

See application file for complete search history.

(56) **References Cited**

**U.S. PATENT DOCUMENTS**

D131,875 S	3/1942	Houston et al.
3,966,363 A	6/1976	Rowley et al.
4,269,557 A	5/1981	Kidd
4,629,557 A	12/1986	Tobias
D299,143 S	12/1988	Hazlehurst
D419,567 S	1/2000	Weiss
D425,911 S	5/2000	Fleischer et al.
D450,327 S	11/2001	Mori et al.
D466,522 S	12/2002	Huang
6,623,245 B2	9/2003	Meza et al.
D507,579 S	7/2005	Rossman et al.
6,974,303 B2	12/2005	Wang
7,001,159 B2	2/2006	Peterson, Jr. et al.
D517,570 S	3/2006	Stiles et al.
D536,705 S	2/2007	Griffin et al.

D551,256 S	9/2007	Pecca et al.
D568,340 S *	5/2008	Stiles et al. .... D15/5
2005/0158194 A1	7/2005	Sloan et al.
2007/0114162 A1	5/2007	Stiles et al.
2007/0114168 A1	5/2007	Hazlehurst
2008/0079259 A1	4/2008	Parcell

**FOREIGN PATENT DOCUMENTS**

WO WO 00/68575 11/2000

**OTHER PUBLICATIONS**

U.S. Appl. No. 29/267,940, filed Oct. 25, 2006, Title: Pump Housing, Inventor: Griffin, et al.

Sta-Rite® Owner's Manual for the Max-E-GlassII™ and Dura-Glass II™ Centrifugal Pumps with Integral Trap (2003) (19 pages).

Hayward Buyer's Guide and Parts Price List, effective Dec. 29, 2003 (4 pages).

\* cited by examiner

*Primary Examiner*—R. Seifert

(74) *Attorney, Agent, or Firm*—McCarter & English, LLP

(57) **CLAIM**

The ornamental design for a pump, as shown and described.

**DESCRIPTION**

FIG. 1 is a front perspective view of a pump showing our new design;

FIG. 2 is a front elevational view thereof;

FIG. 3 is a rear elevational view thereof;

FIG. 4 is a right side elevational view thereof;

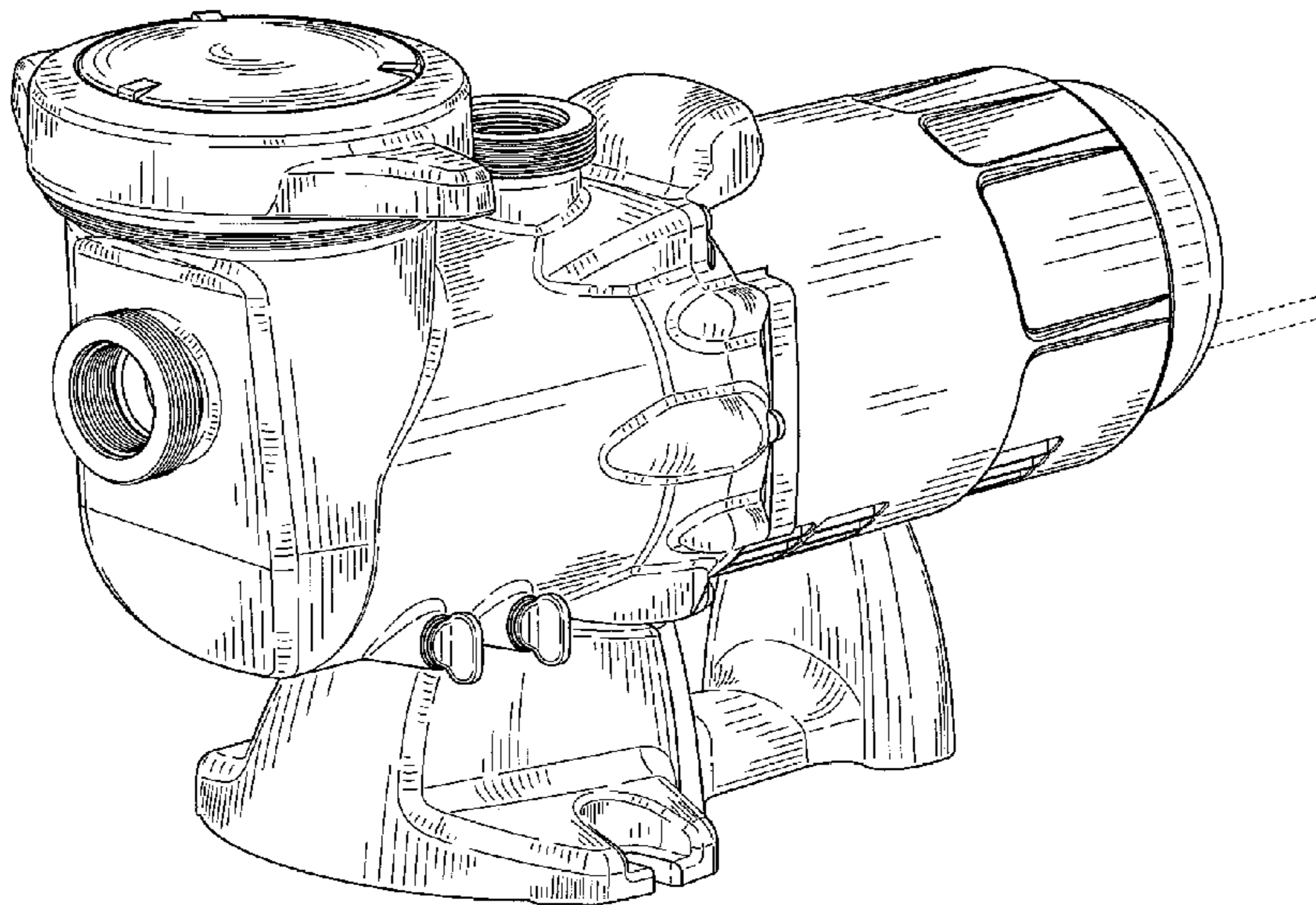
FIG. 5 is a left side elevational view thereof;

FIG. 6 is a top plan view thereof; and,

FIG. 7 is a bottom plan view thereof.

It being understood that the broken lines are for illustrative purposes only and form no part of the claimed design.

**1 Claim, 7 Drawing Sheets**



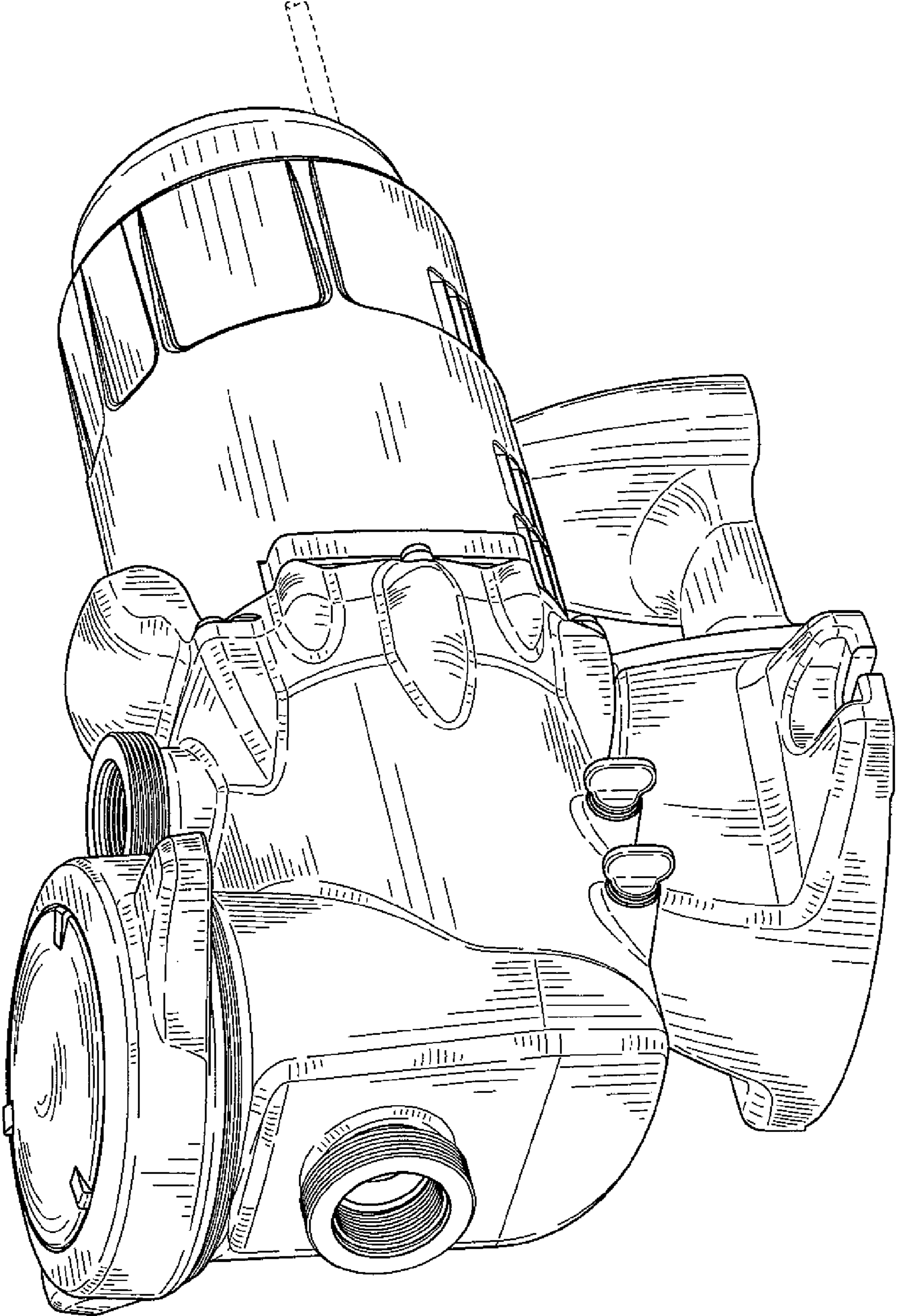
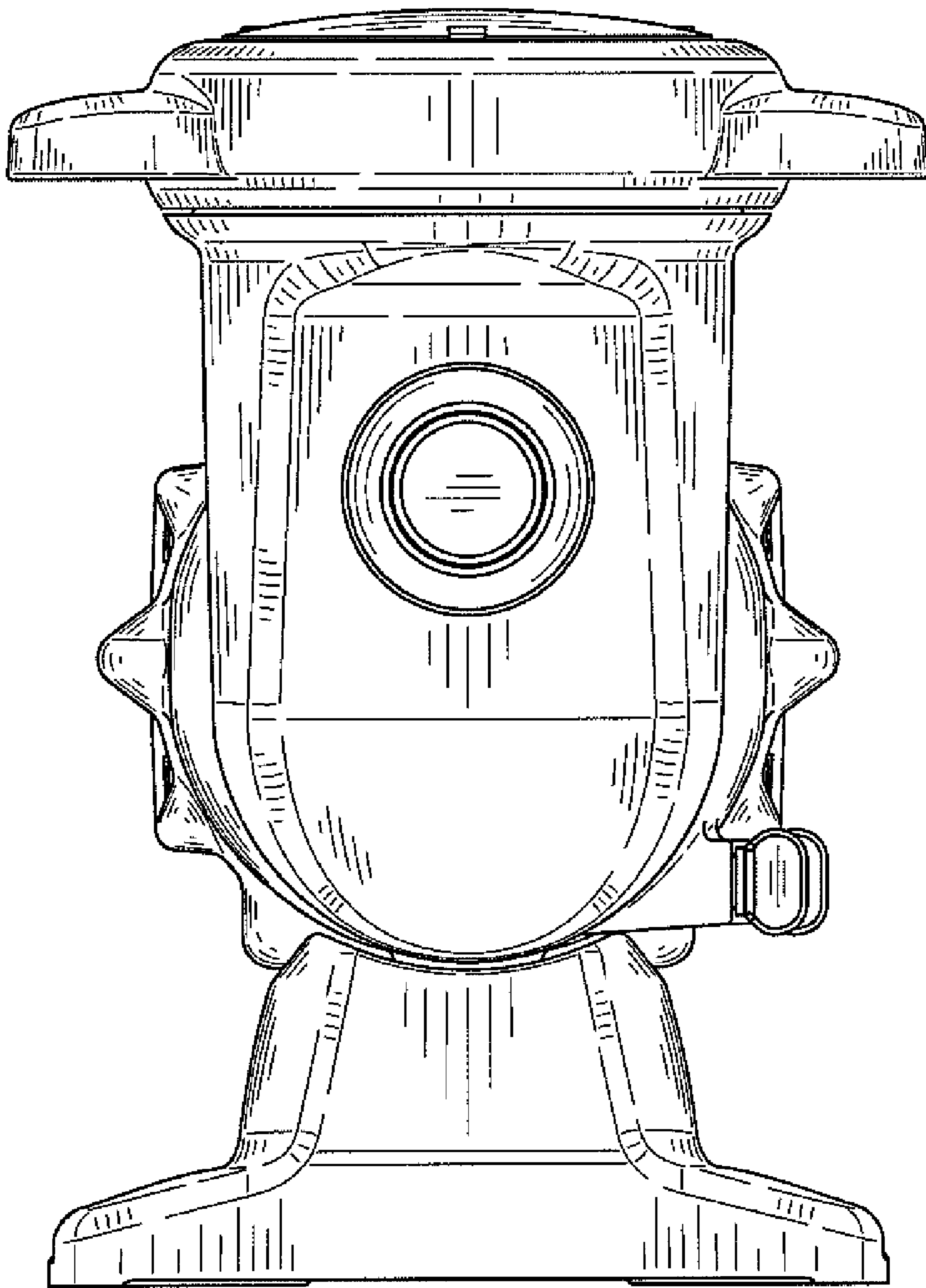


FIG. 1



**FIG. 2**



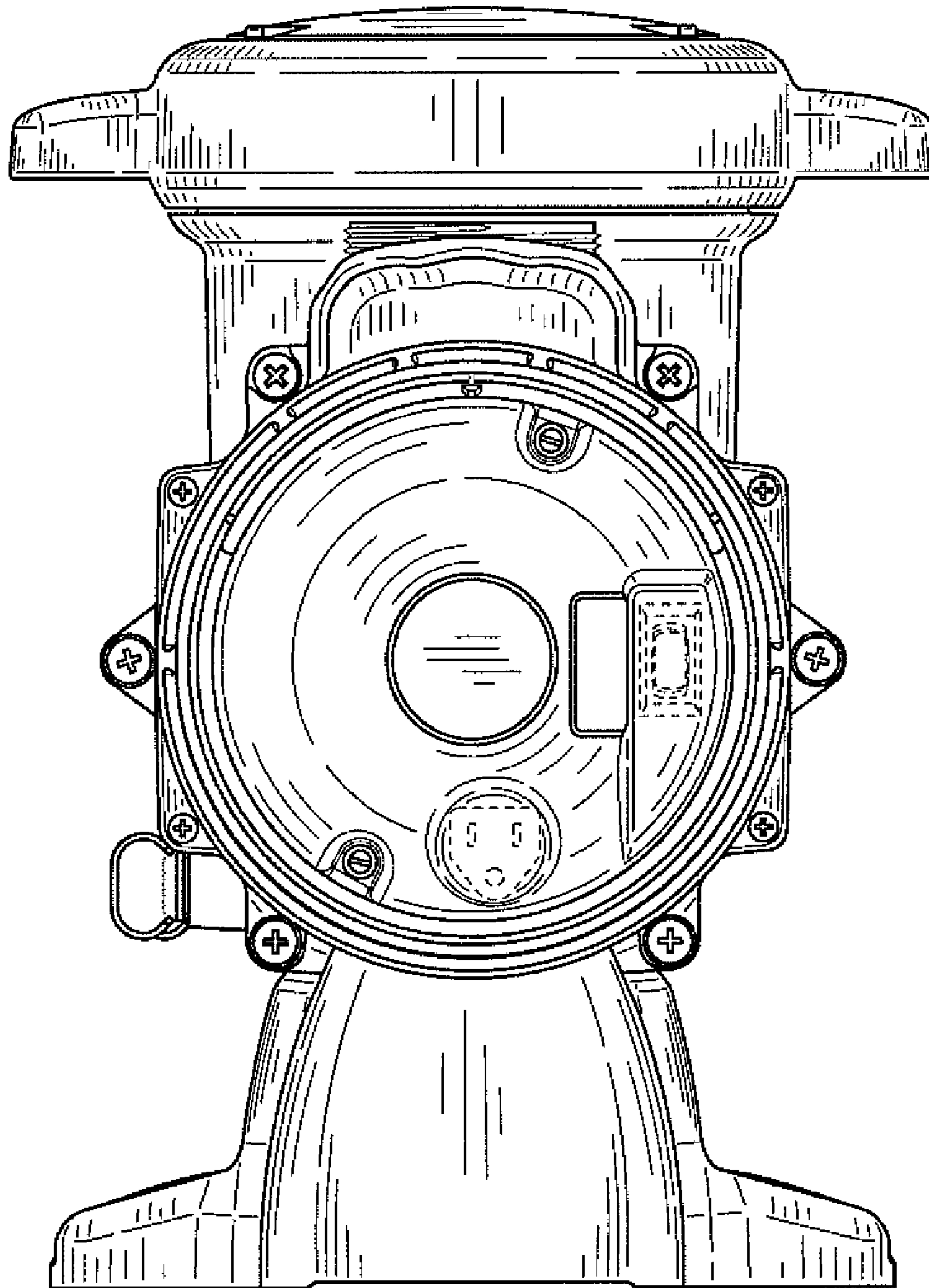


FIG. 3

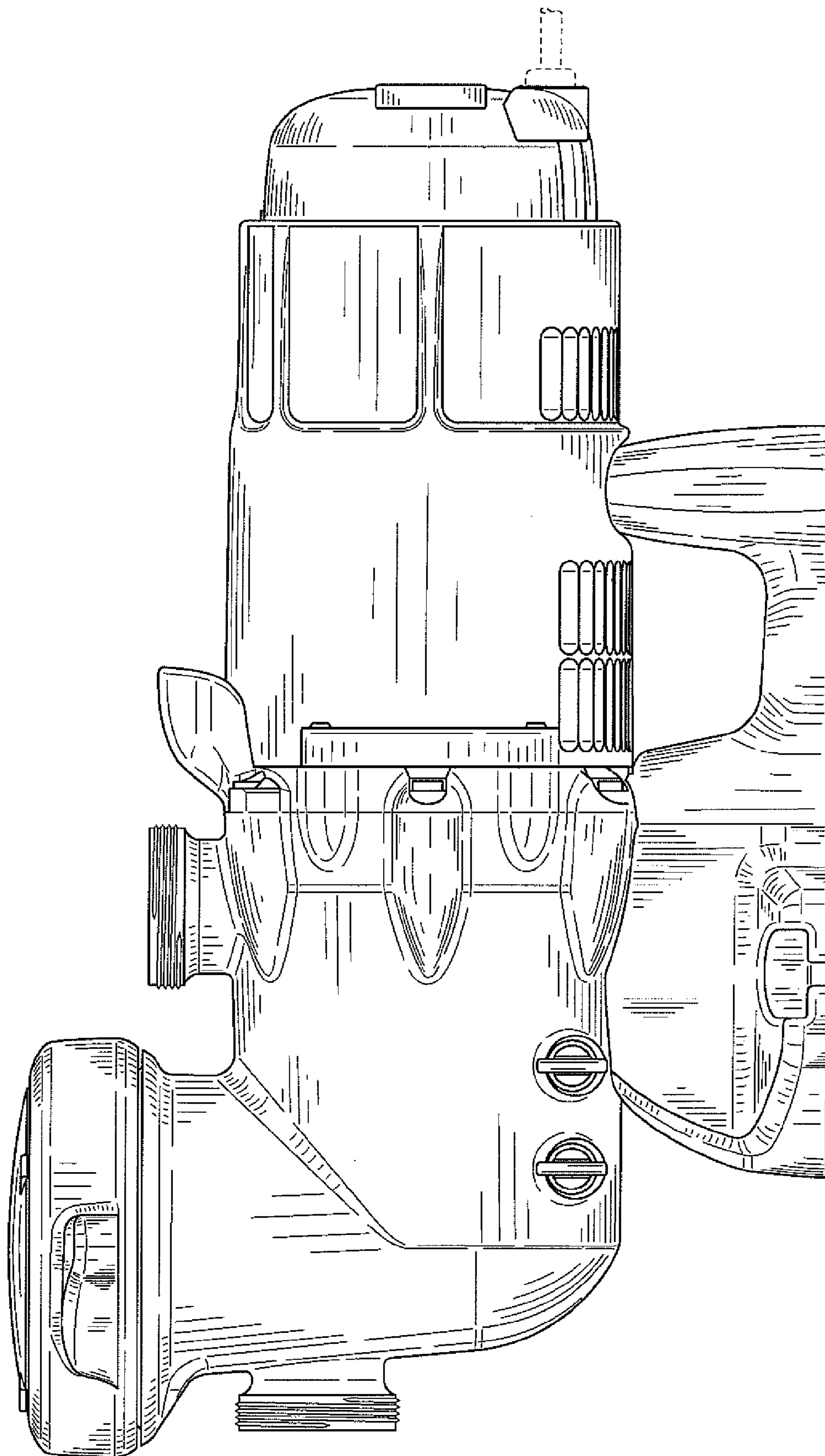


FIG. 4

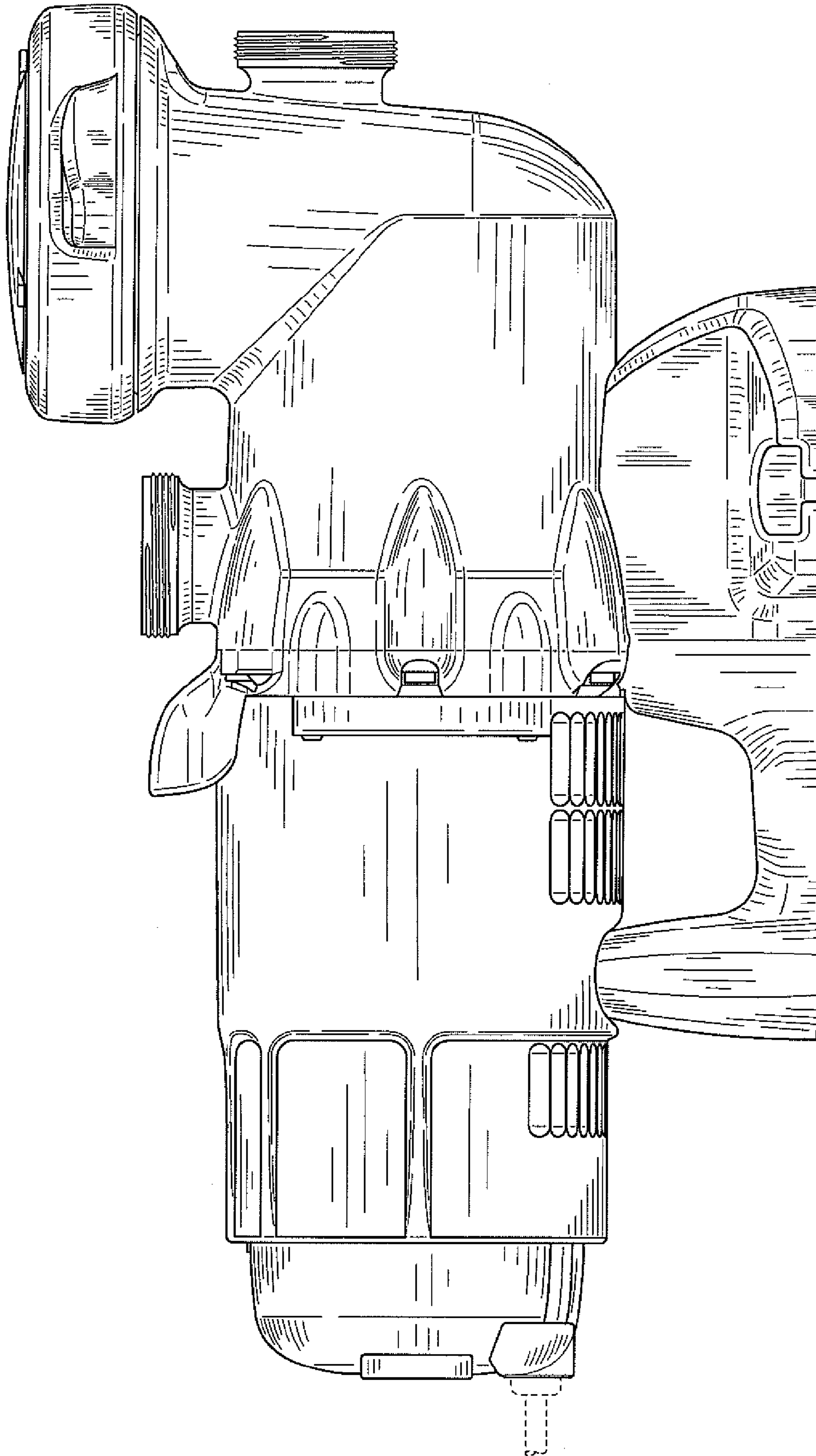


FIG. 5

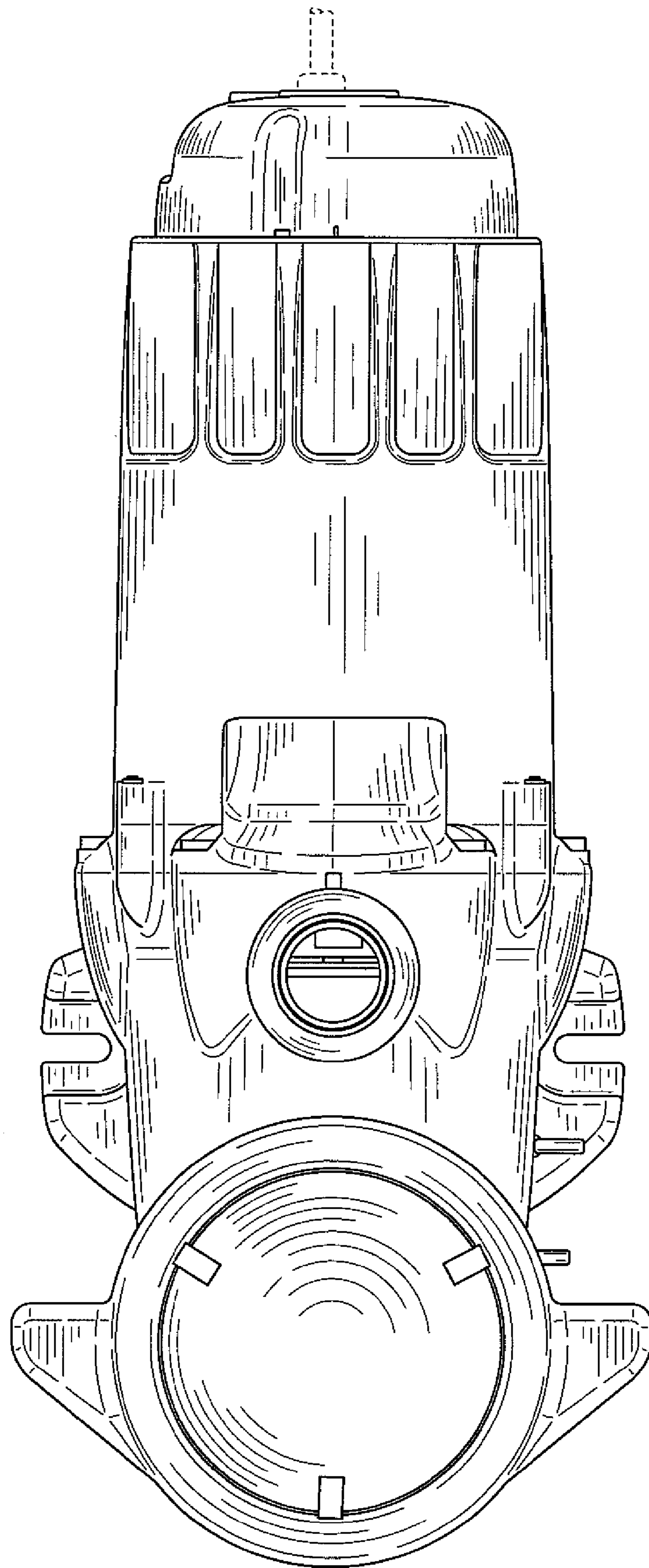


FIG. 6

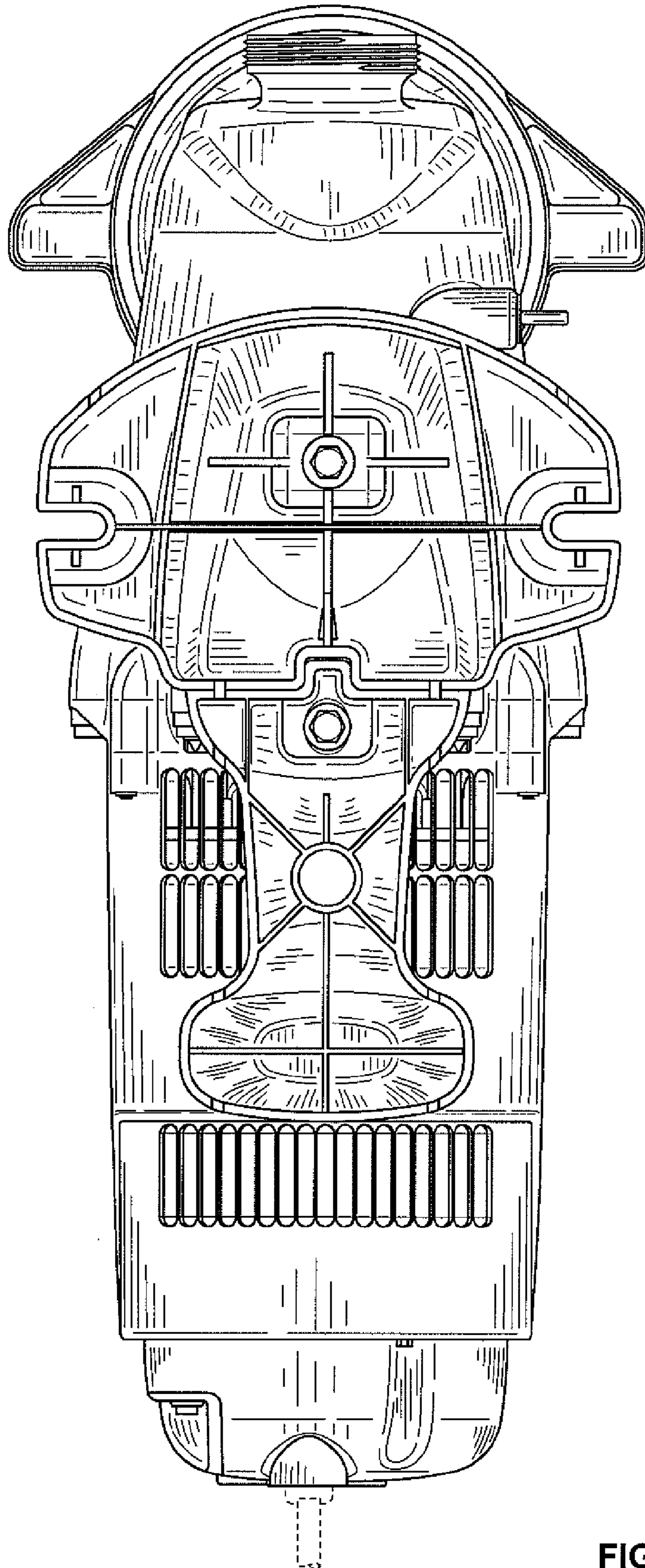


FIG. 7