

US00D590841S

(12) **United States Design Patent**
Muhlenberend

(10) **Patent No.:** **US D590,841 S**
(45) **Date of Patent:** **** Apr. 21, 2009**

(54) **PUMP**

(75) Inventor: **Andreas Muhlenberend**, Leipzig (DE)

(73) Assignee: **Otto Bock Healthcare IP GmbH & Co. KG**, Duderstadt (DE)

(**) Term: **14 Years**

(21) Appl. No.: **29/294,670**

(22) Filed: **Jan. 22, 2008**

(30) **Foreign Application Priority Data**

Jul. 19, 2007 (EM) 000760988

(51) **LOC (9) Cl.** **15-02**

(52) **U.S. Cl.** **D15/7**

(58) **Field of Classification Search** D15/7-9;
D23/231, 232, 225; 417/410.1, 359, 415-416,
417/234, 321, 265, 405

See application file for complete search history.

(56) **References Cited**

U.S. PATENT DOCUMENTS

D309,143 S *	7/1990	Yang	D15/9
5,549,709 A	8/1996	Caspers		
5,888,230 A	3/1999	Helmy		
5,904,722 A	5/1999	Caspers		
D436,602 S *	1/2001	Wang	D15/9
6,231,616 B1	5/2001	Helmy		
6,726,726 B2	4/2004	Caspers		
D498,767 S *	11/2004	Chou	D15/7
D512,440 S *	12/2005	Wang	D15/7
6,974,484 B2	12/2005	Caspers		
D566,131 S *	4/2008	Detering et al.	D15/9
2003/0078674 A1	4/2003	Phillips		
2003/0181990 A1	9/2003	Phillips		
2004/0030411 A1	2/2004	Caspers		
2004/0181290 A1	9/2004	Caspers		
2006/0212128 A1	9/2006	Nachbar		
2006/0282174 A1	12/2006	Haines		
2006/0282175 A1	12/2006	Haines et al.		

2007/0055383 A1	3/2007	King
2007/0112439 A1	5/2007	Panucialman
2007/0191965 A1	8/2007	Colvin et al.
2007/0213839 A1	9/2007	Nachbar

FOREIGN PATENT DOCUMENTS

EP	0989833	11/2003
EP	0870485	10/2004
WO	02065958	8/2002
WO	02080813	10/2002
WO	03099173	12/2003
WO	2006135851	12/2006
WO	2007030609	3/2007

OTHER PUBLICATIONS

Article: from www.owwco.com dated Jun. 12, 2008, "Limblagic vs Prosthetist's Guide" Ohio Willow Wood, 36 pgs.

Article: from www.owwco.com Dated Oct. 22, 2007, "LimLogic vs FAQ" Ohio Willow Wood, 2 pages.

Article: from www.smith-global.com dated Jul. 2006, "Smith Global e Vac" Smith Global, 1 page.

* cited by examiner

Primary Examiner—R. Seifert

(74) *Attorney, Agent, or Firm*—Faegre & Benson LLP

(57) **CLAIM**

The ornamental design for pump, as shown and described.

DESCRIPTION

FIG. 1 is a perspective view of an ornamental design of a pump showing the new design;

FIG. 2 is a front view of the pump of FIG. 1;

FIG. 3 is a right side view of the pump of FIG. 1;

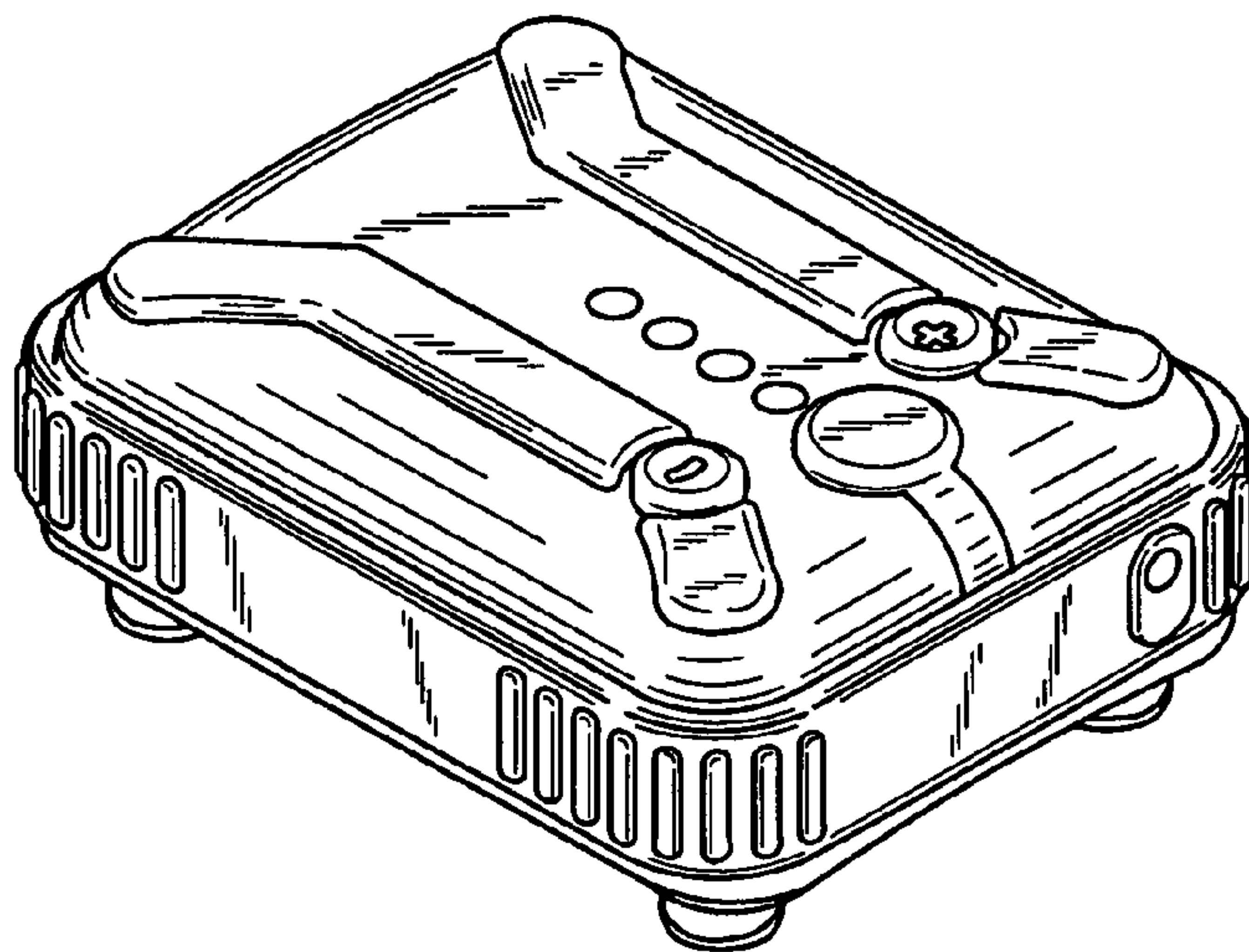
FIG. 4 is a back view of the pump of FIG. 1;

FIG. 5 is a left side view of the pump of FIG. 1;

FIG. 6 is a top view of the pump of FIG. 1; and,

FIG. 7 is a bottom view of the pump of FIG. 1.

1 Claim, 7 Drawing Sheets



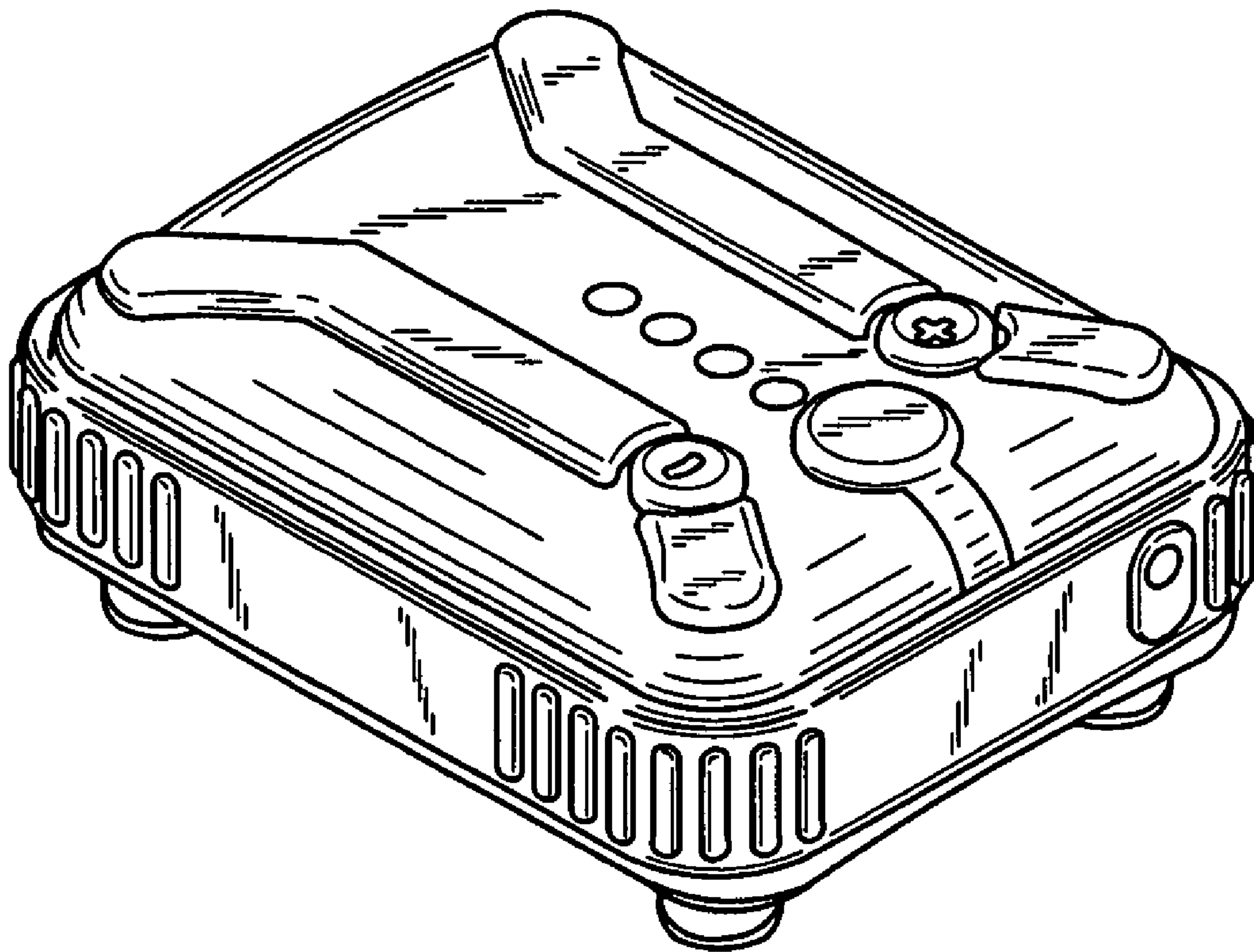


Fig. 1

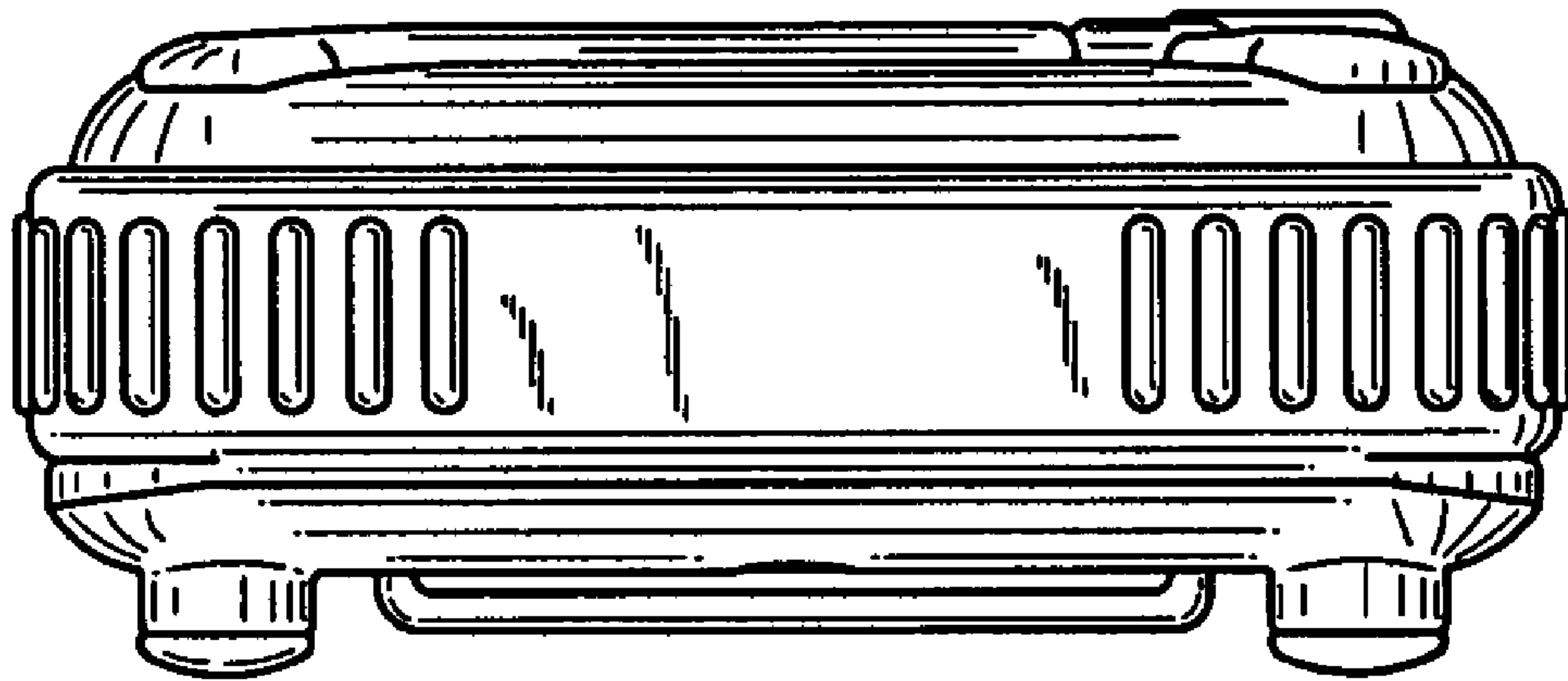


Fig. 2

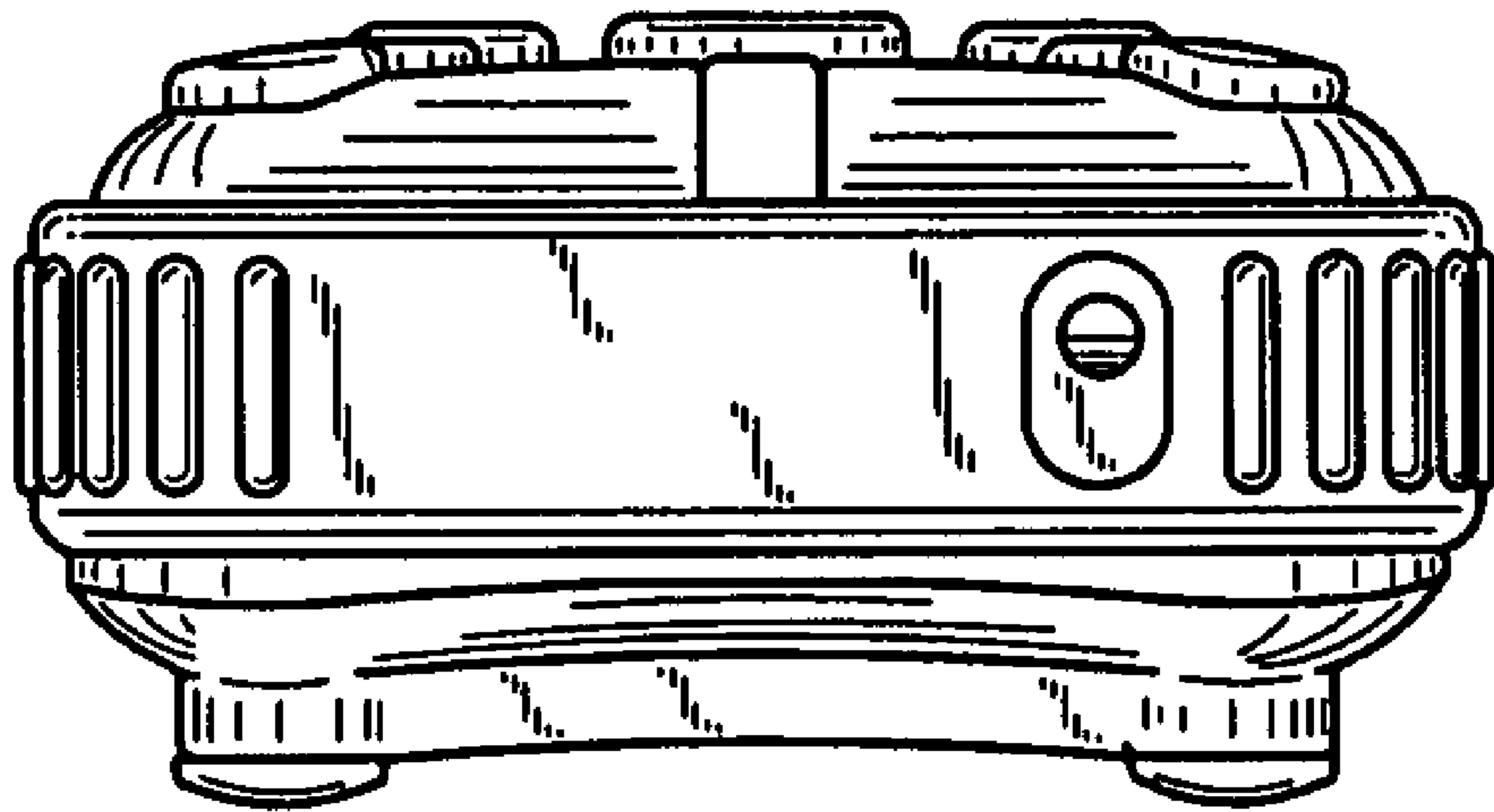


Fig. 3

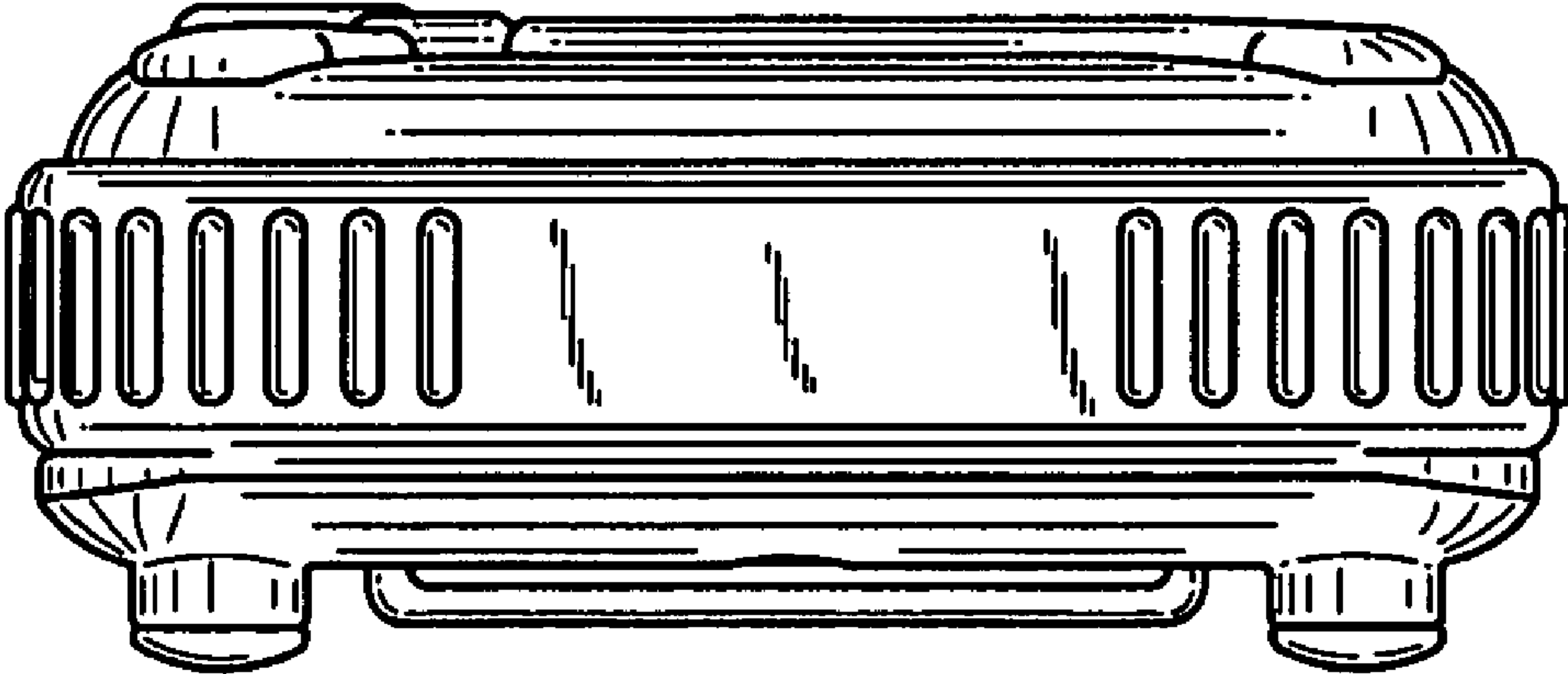


Fig. 4

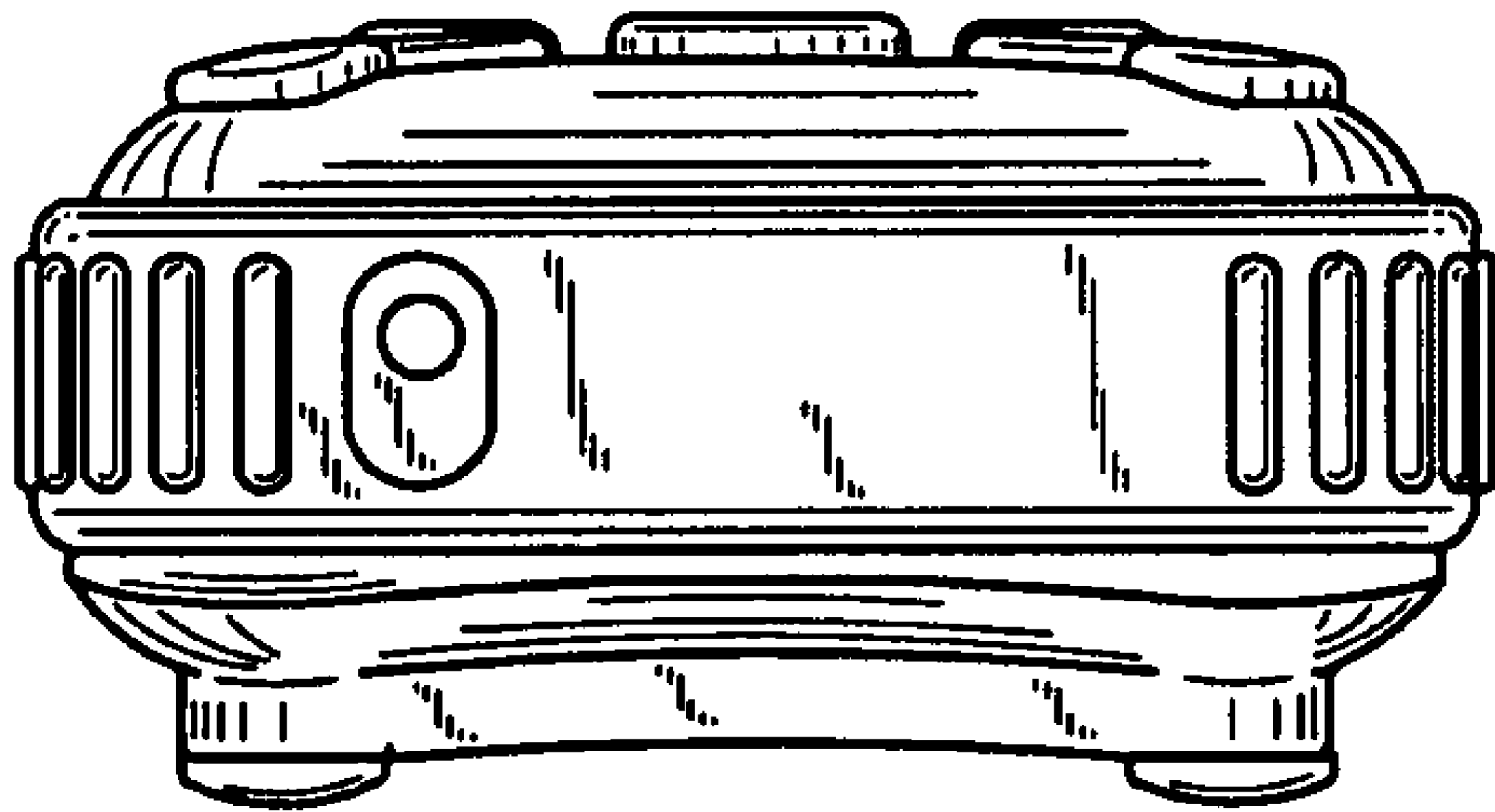


Fig. 5

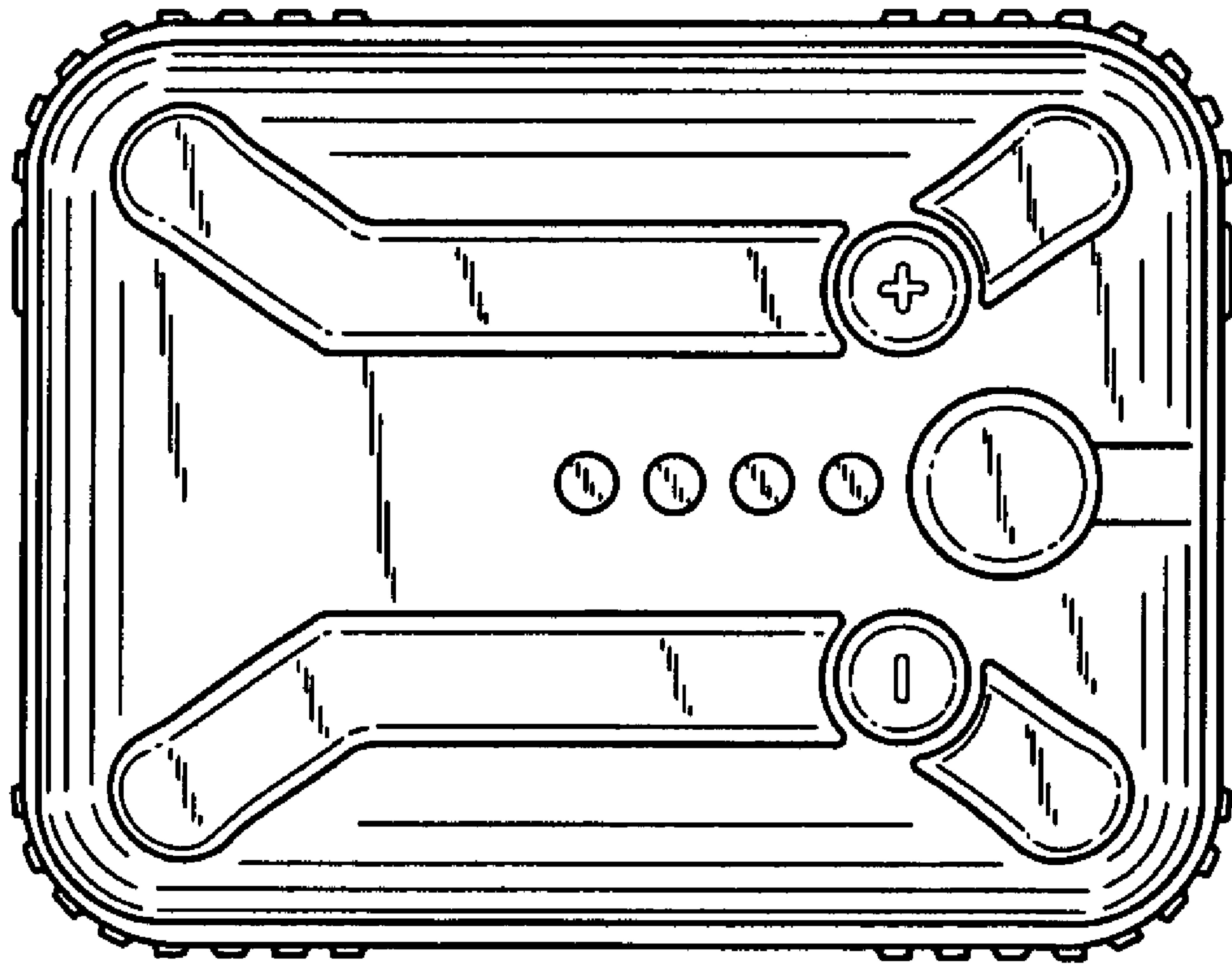


Fig. 6

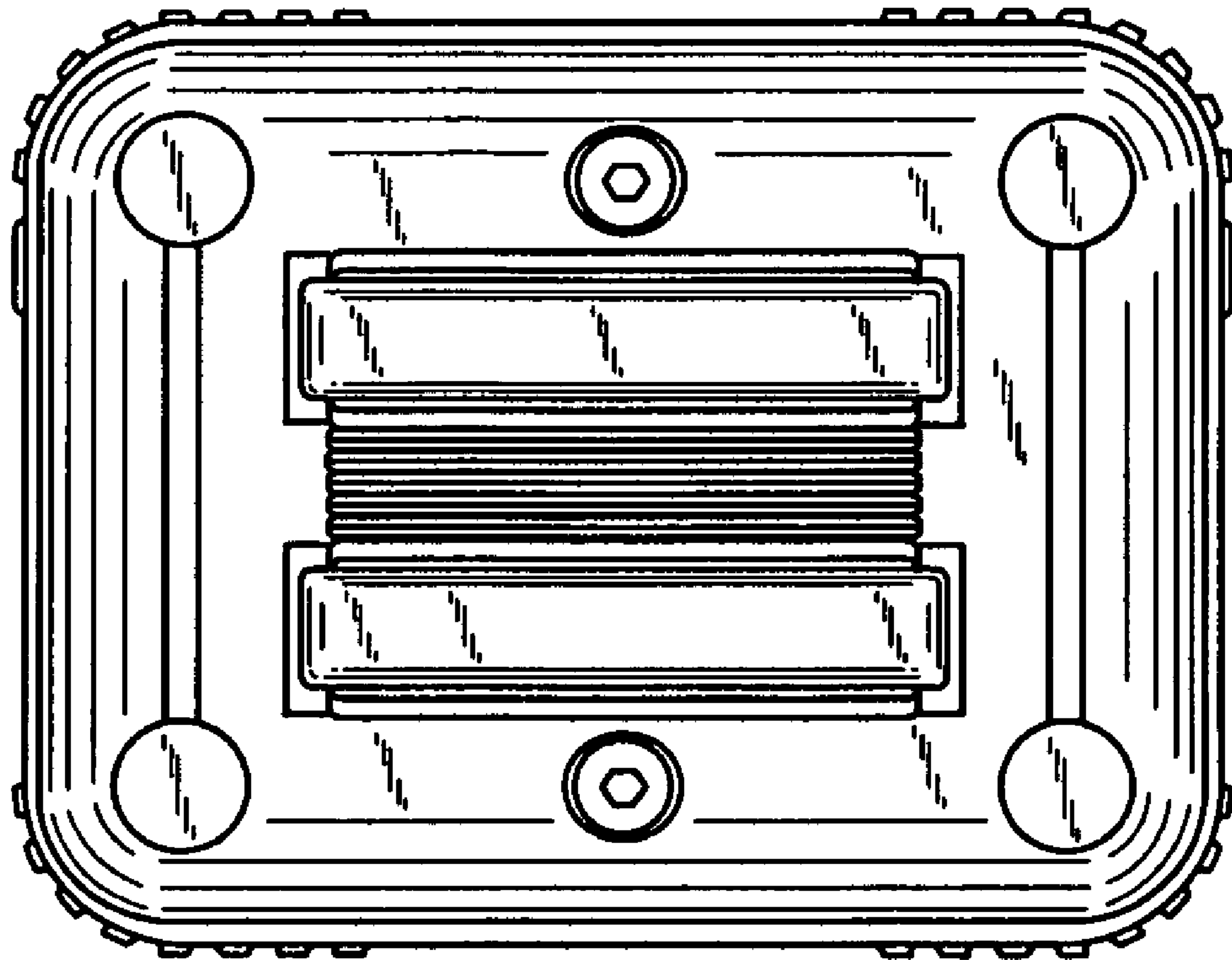


Fig. 7