



US00D590839S

(12) **United States Design Patent**
Lewis

(10) **Patent No.:** **US D590,839 S**
(45) **Date of Patent:** **** Apr. 21, 2009**

(54) **COMBINED TERMINAL WITH CHARGER**

(75) Inventor: **David Lewis**, Copenhagen (DK)
(73) Assignee: **Bang & Olufsen a/s**, Struer (DK)
(**) Term: **14 Years**
(21) Appl. No.: **29/272,905**
(22) Filed: **Feb. 21, 2007**

(30) **Foreign Application Priority Data**

Aug. 22, 2006 (DK) DA 2006 00224

(51) **LOC (9) Cl.** **14-03**
(52) **U.S. Cl.** **D14/496; D21/329**
(58) **Field of Classification Search** D21/324-333,
D21/369; D14/496, 125, 126, 188; 273/148 B,
273/148 R, 138.1, 459-461; 463/1, 29-35,
463/45, 47; 345/156-161, 905; 700/1, 2,
700/9; D13/108

See application file for complete search history.

(56) **References Cited**

U.S. PATENT DOCUMENTS

4,536,164	A *	8/1985	Klawitter	446/143
4,752,069	A *	6/1988	Okada	463/23
5,213,327	A *	5/1993	Kitaue	463/38
5,611,731	A *	3/1997	Bouton et al.	463/37
D410,499	S *	6/1999	Smith et al.	D21/329
D414,525	S *	9/1999	Howard	D21/369
6,852,026	B2 *	2/2005	Huang	463/16
6,878,064	B2 *	4/2005	Huang	463/30
D524,243	S *	7/2006	Lee	D13/108
D540,789	S *	4/2007	Sagen et al.	D14/336
D541,267	S *	4/2007	Sagen et al.	D14/307
D558,833	S *	1/2008	Itskov et al.	D21/329
D564,033	S *	3/2008	Itskov et al.	D21/329

* cited by examiner

Primary Examiner—Prabhakar Deshmukh
(74) *Attorney, Agent, or Firm*—Buchanan Ingersoll & Rooney PC

(57) **CLAIM**

The ornamental design for a combined terminal with charger, as shown and described.

DESCRIPTION

FIG. 1 is a front, side perspective view of a terminal showing my new design, the terminal is shown separately for purposes of illustration;

FIG. 2 is a rear, side perspective view thereof;

FIG. 3 is a front elevational view thereof;

FIG. 4 is a rear elevational view thereof;

FIG. 5 is a right side elevational view thereof;

FIG. 6 is a left side elevational view thereof;

FIG. 7 is a top plan view thereof;

FIG. 8 is a bottom plan view thereof;

FIG. 9 is the front, side perspective view of a charger for the terminal shown in FIG. 1, the charger is shown separately for purposes of illustration;

FIG. 10 is a rear, side perspective view thereof;

FIG. 11 is a front elevational view thereof;

FIG. 12 is a rear elevational view thereof;

FIG. 13 is a right side elevational view thereof;

FIG. 14 is a left side elevational view thereof;

FIG. 15 is a top plan view thereof;

FIG. 16 is a bottom plan view thereof;

FIG. 17 is a front, side perspective view of the terminal of FIG. 1 shown in position in the charger of FIG. 9;

FIG. 18 is a rear, side perspective view thereof;

FIG. 19 is a front elevational view thereof;

FIG. 20 is a rear elevational view thereof;

FIG. 21 is a right side elevational view thereof;

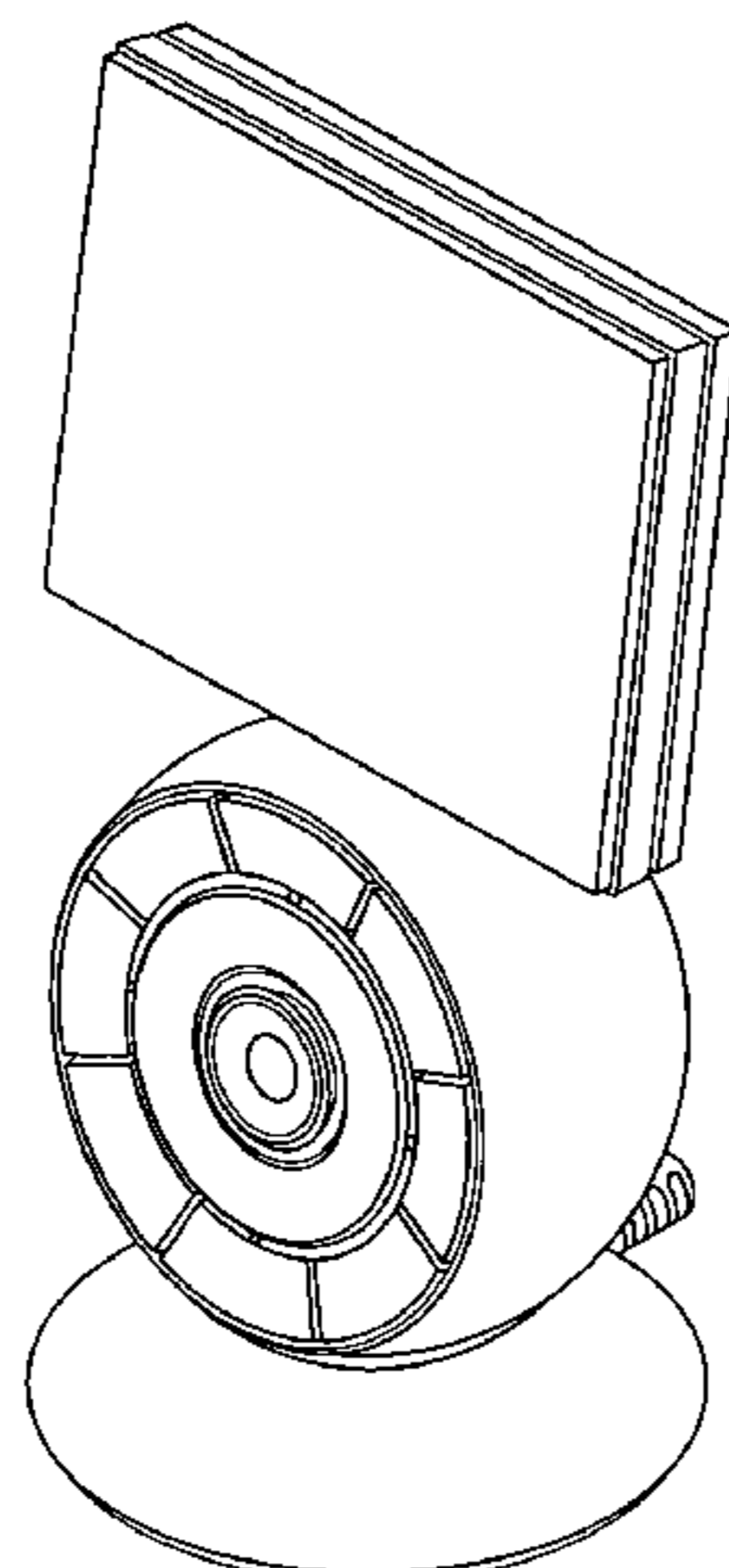
FIG. 22 is a left side elevational view thereof;

FIG. 23 is a top plan view thereof; and,

FIG. 24 is a bottom plan view thereof.

The portions of the terminal and/or charger shown in broken lines form no part of the claimed design.

1 Claim, 24 Drawing Sheets



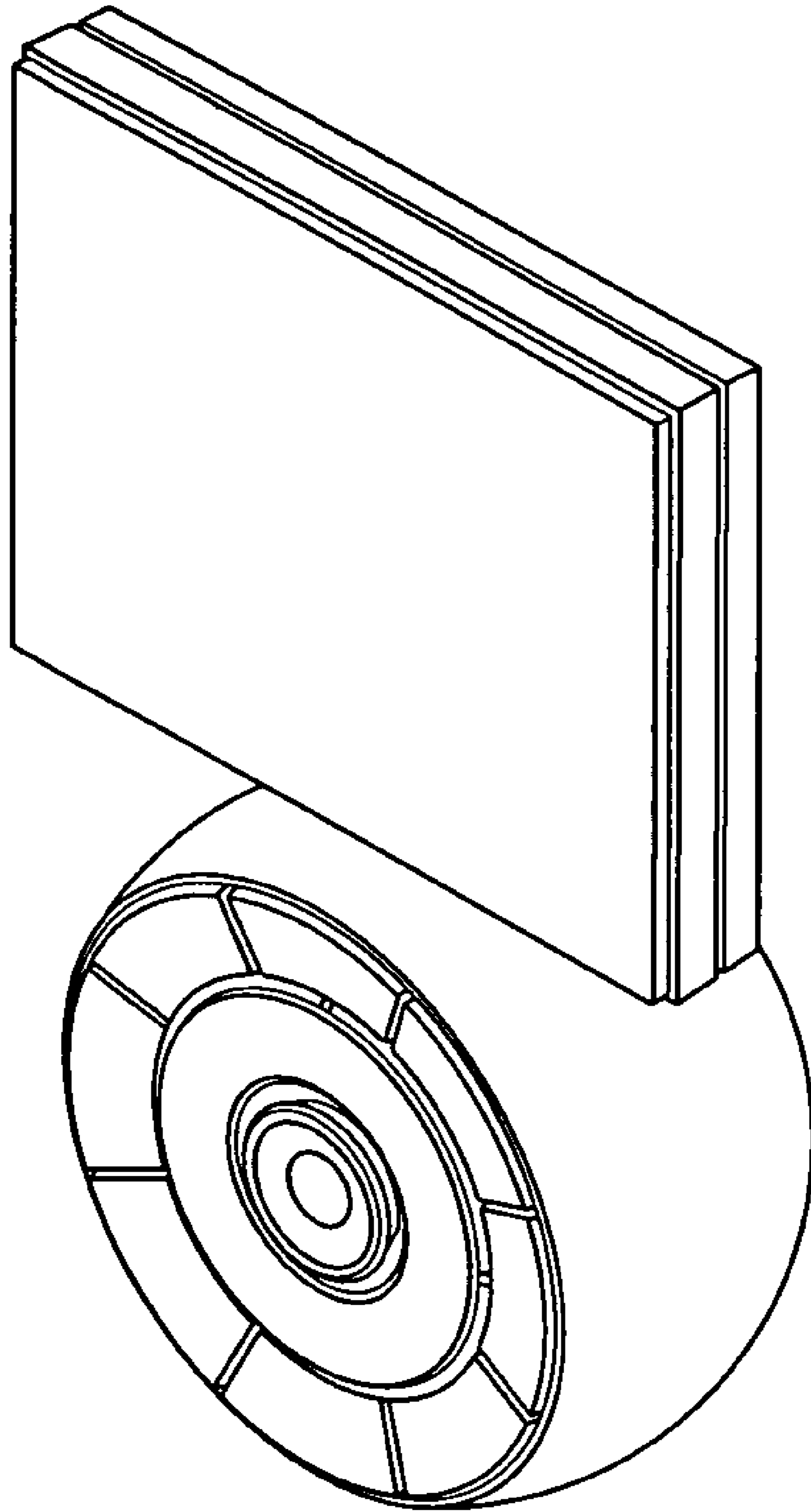


FIG. 1

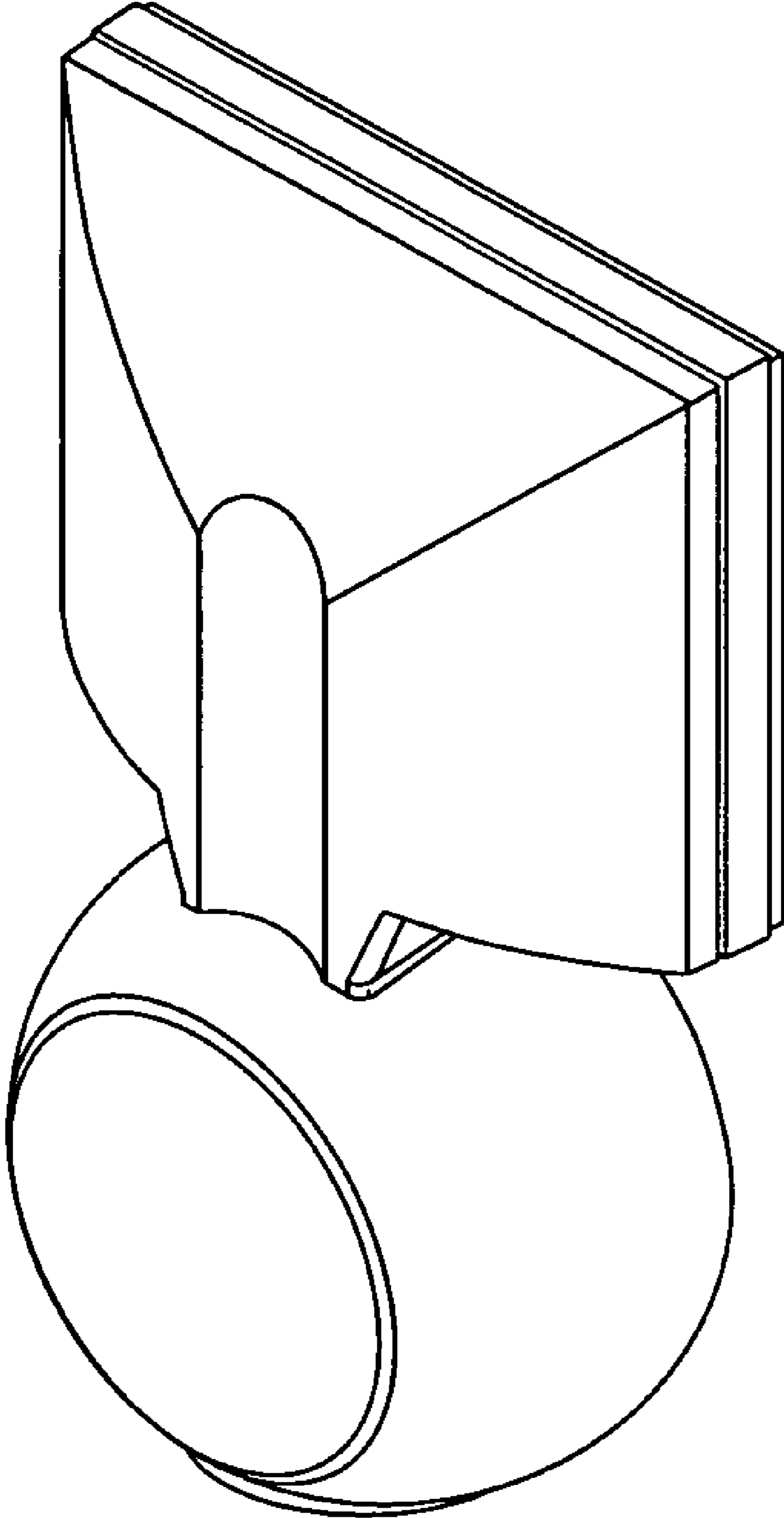


FIG. 2

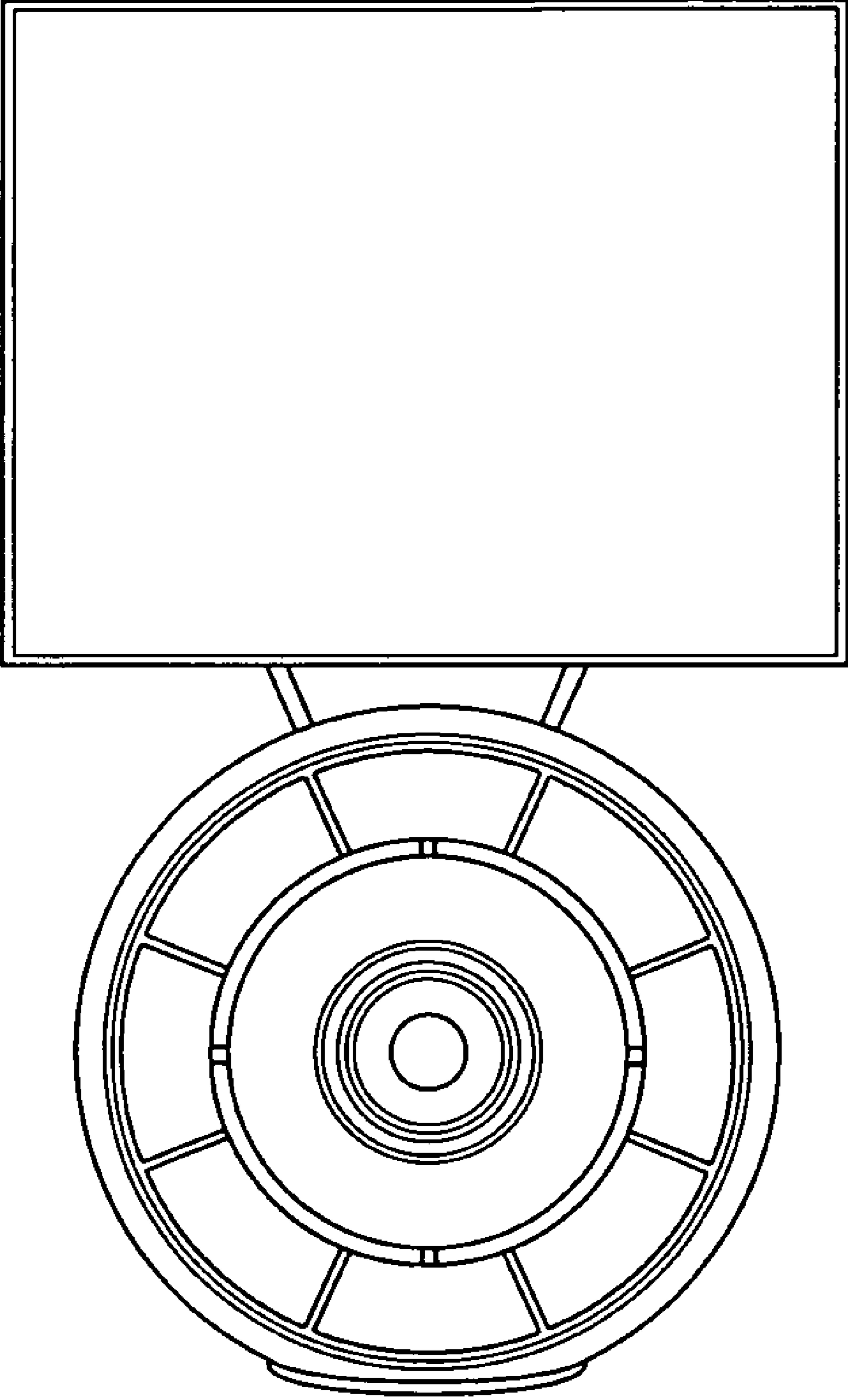


FIG. 3

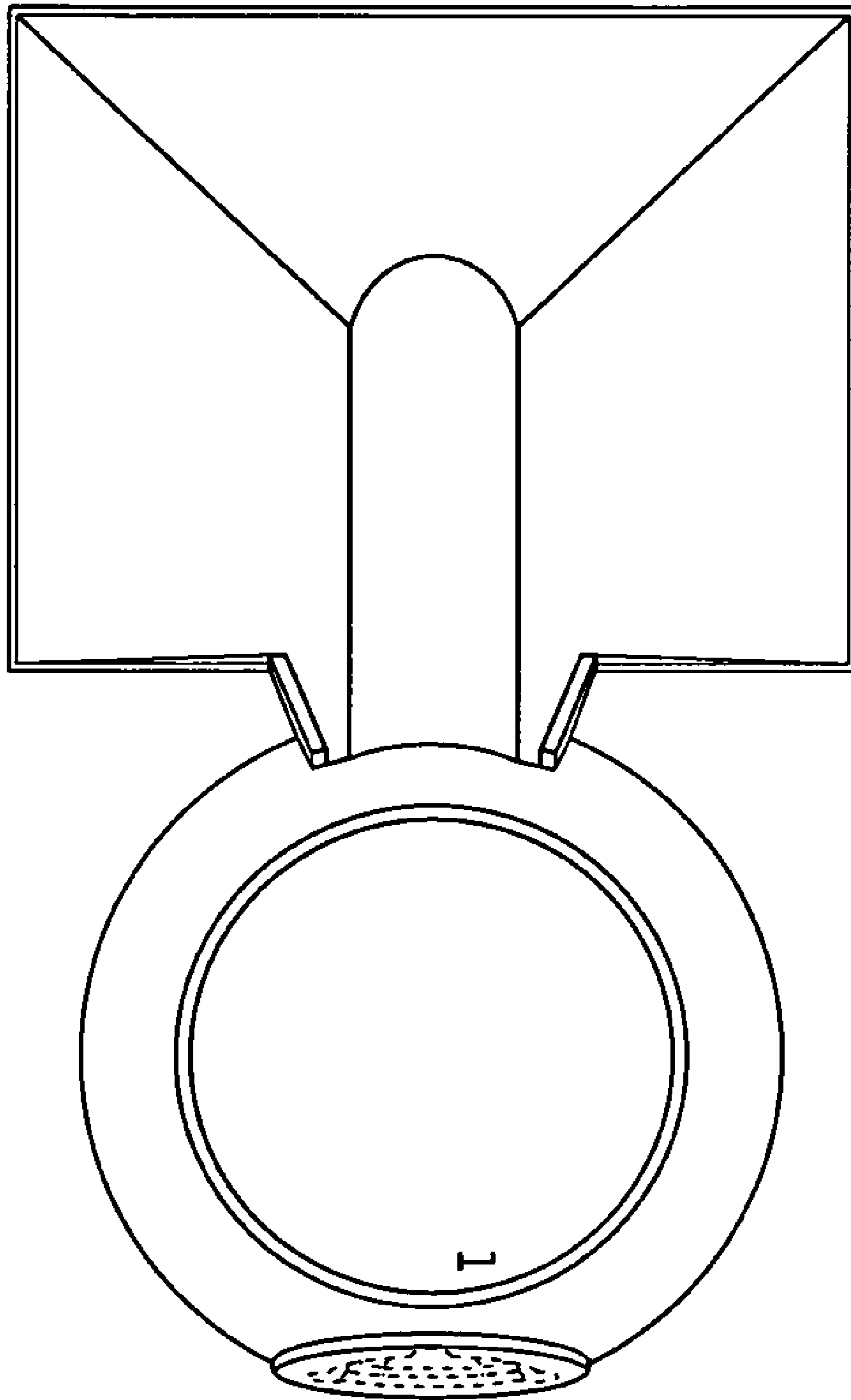


FIG. 4

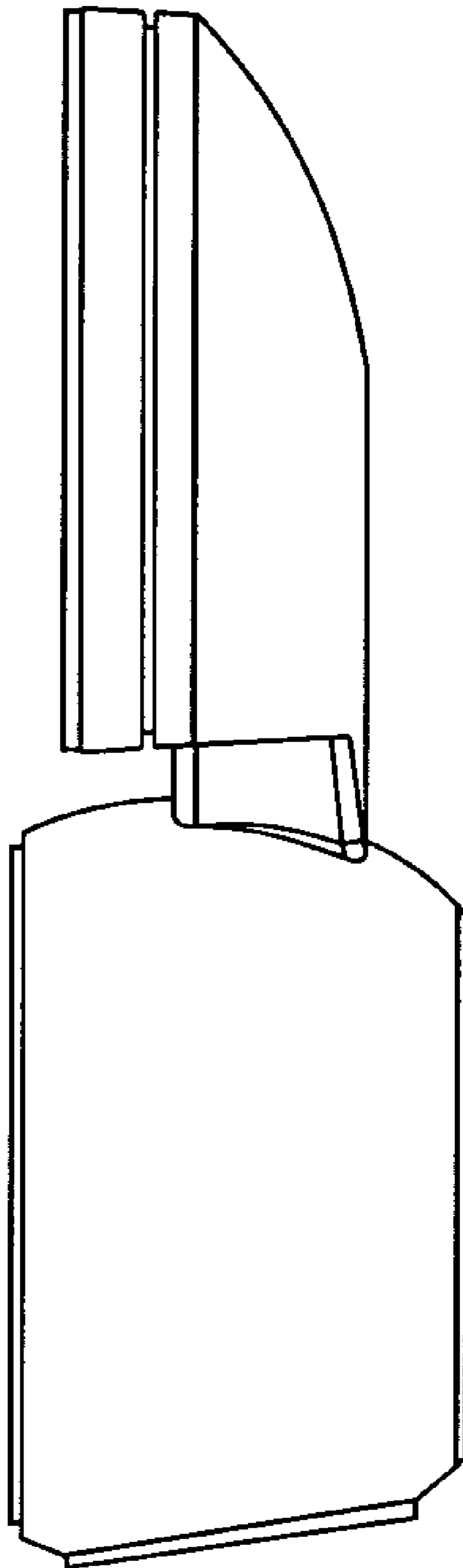


FIG. 5

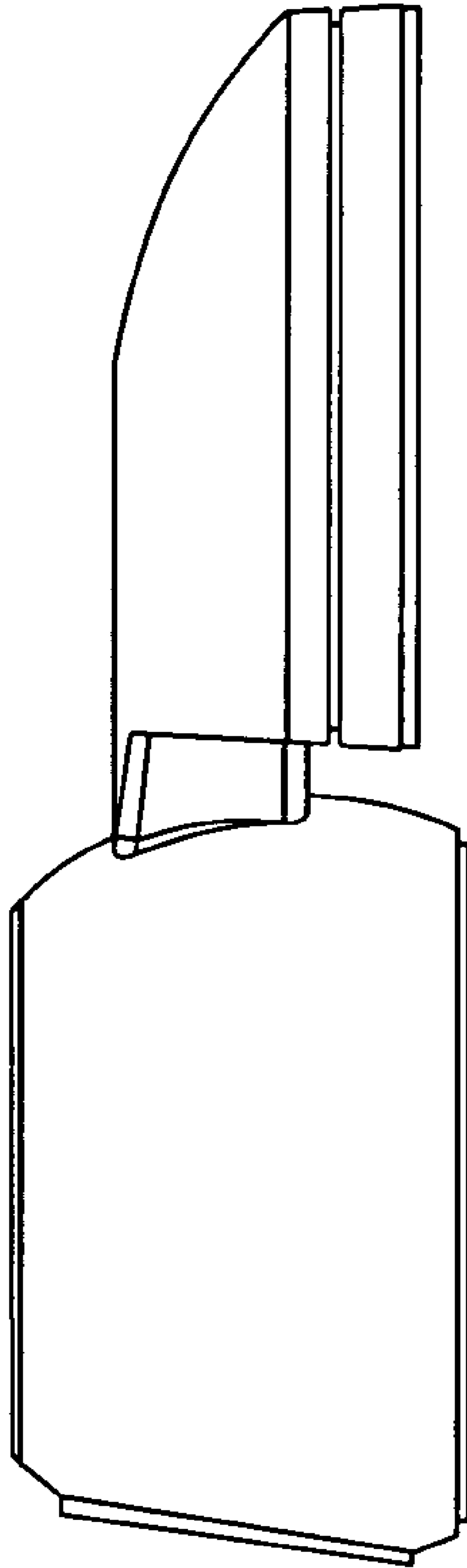


FIG. 6

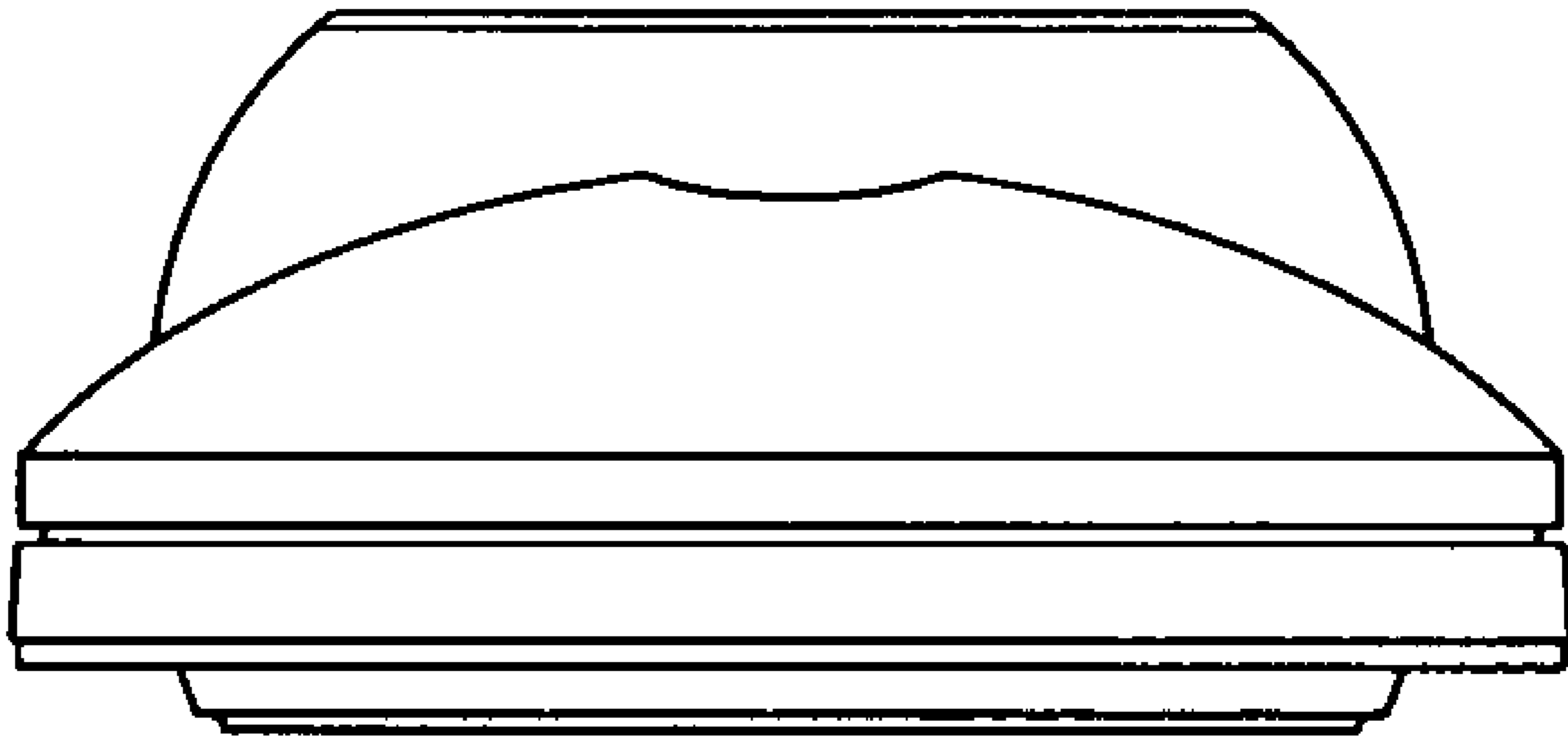


FIG. 7

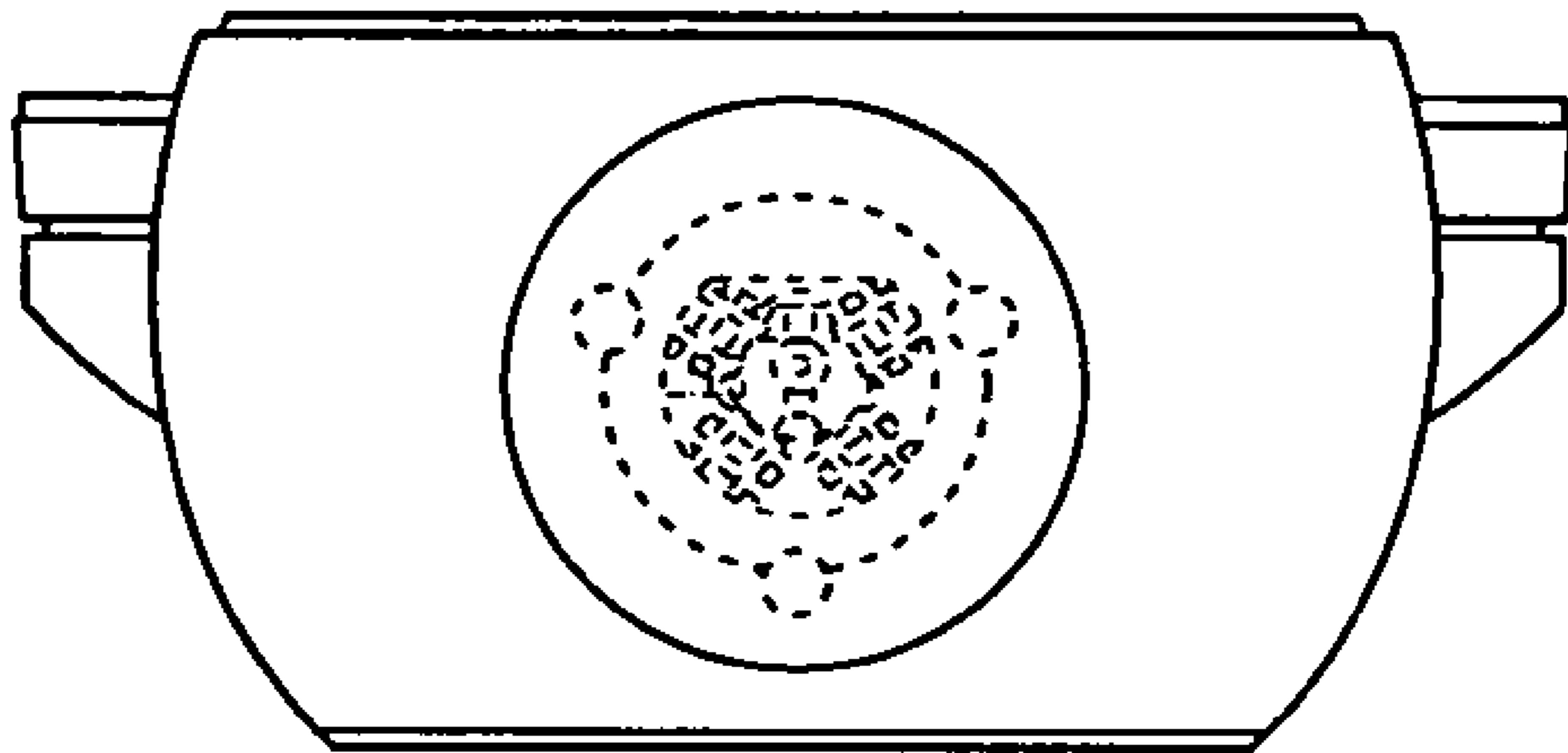


FIG. 8

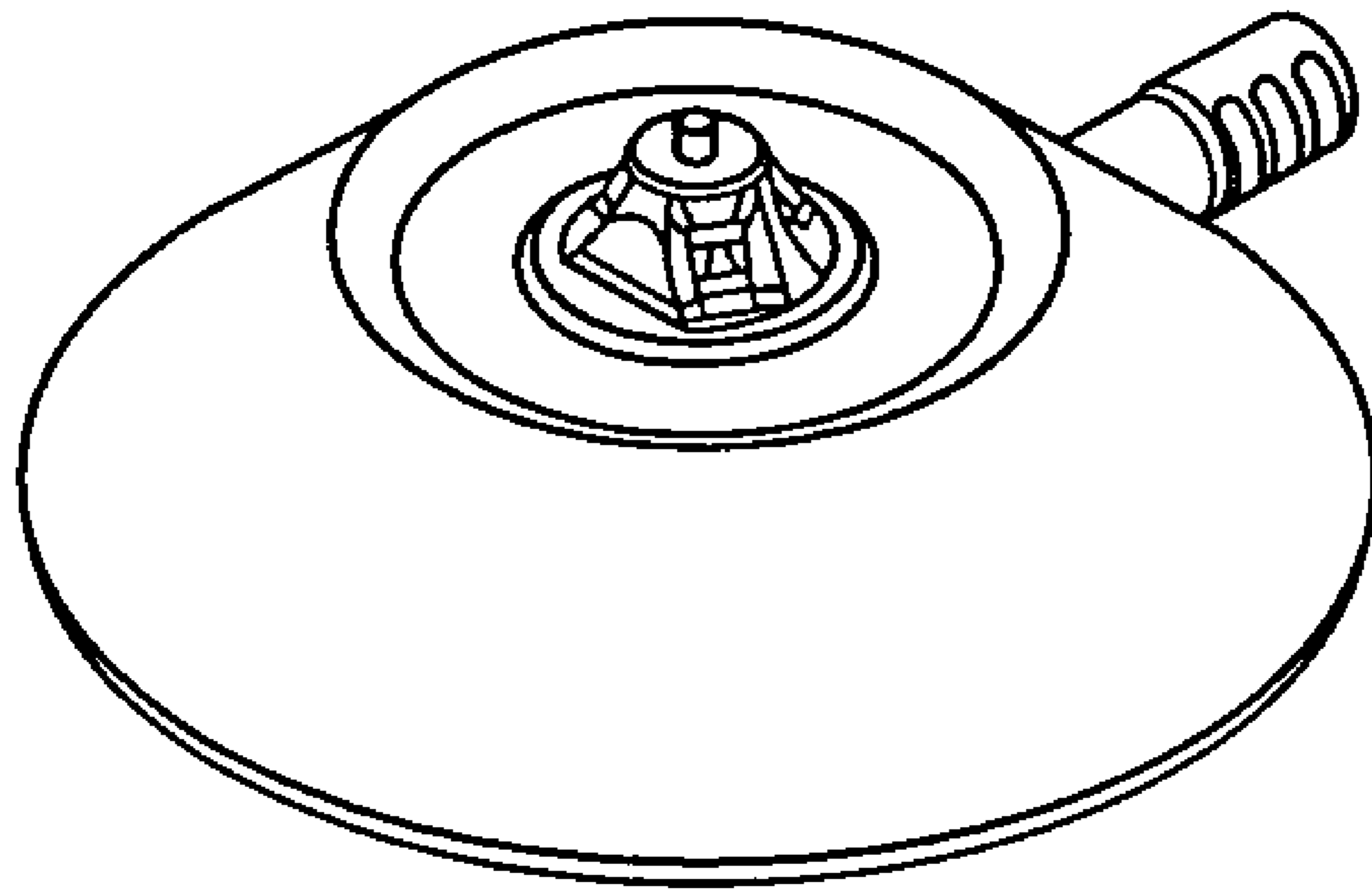


FIG. 9

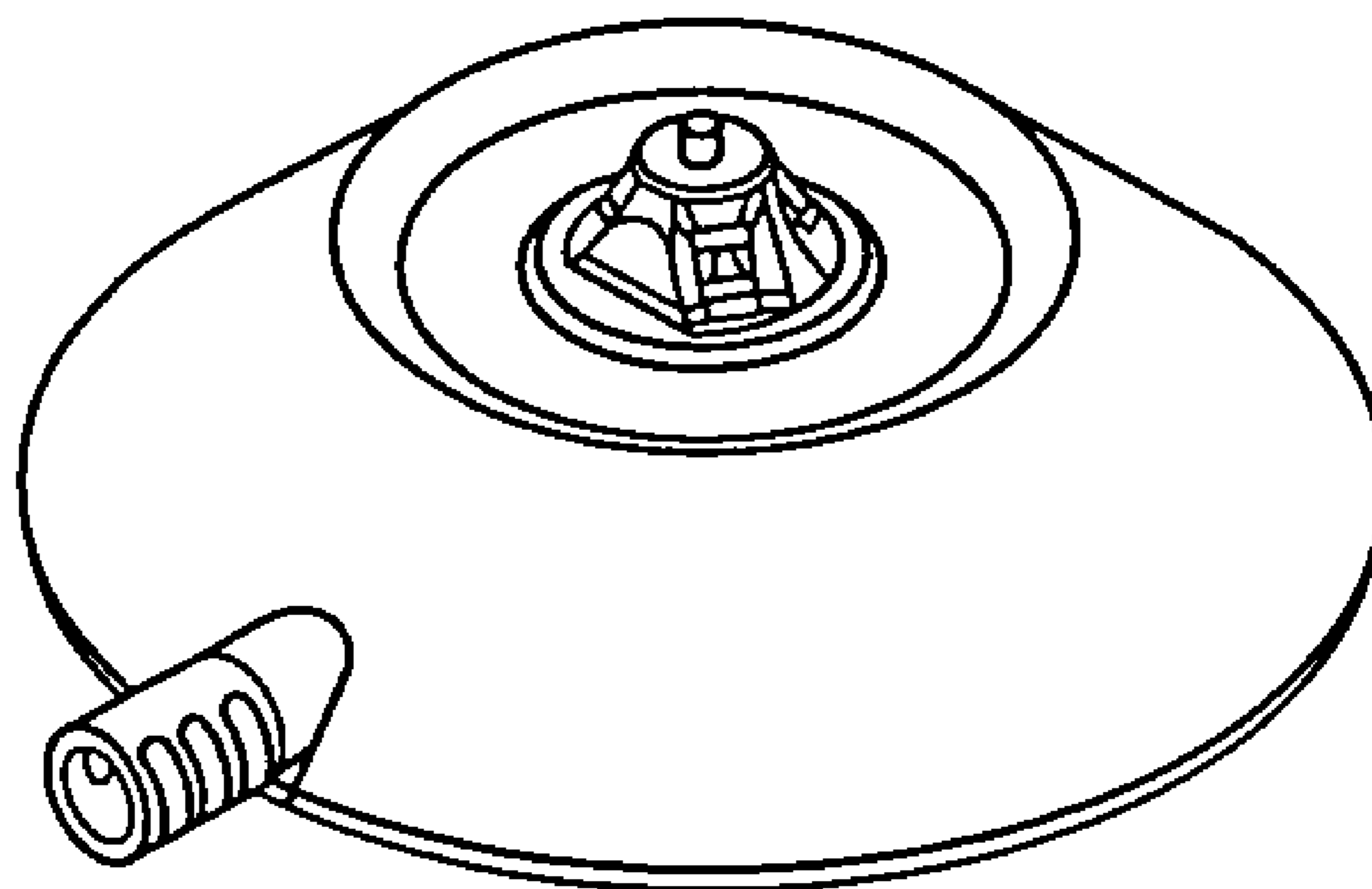


FIG. 10

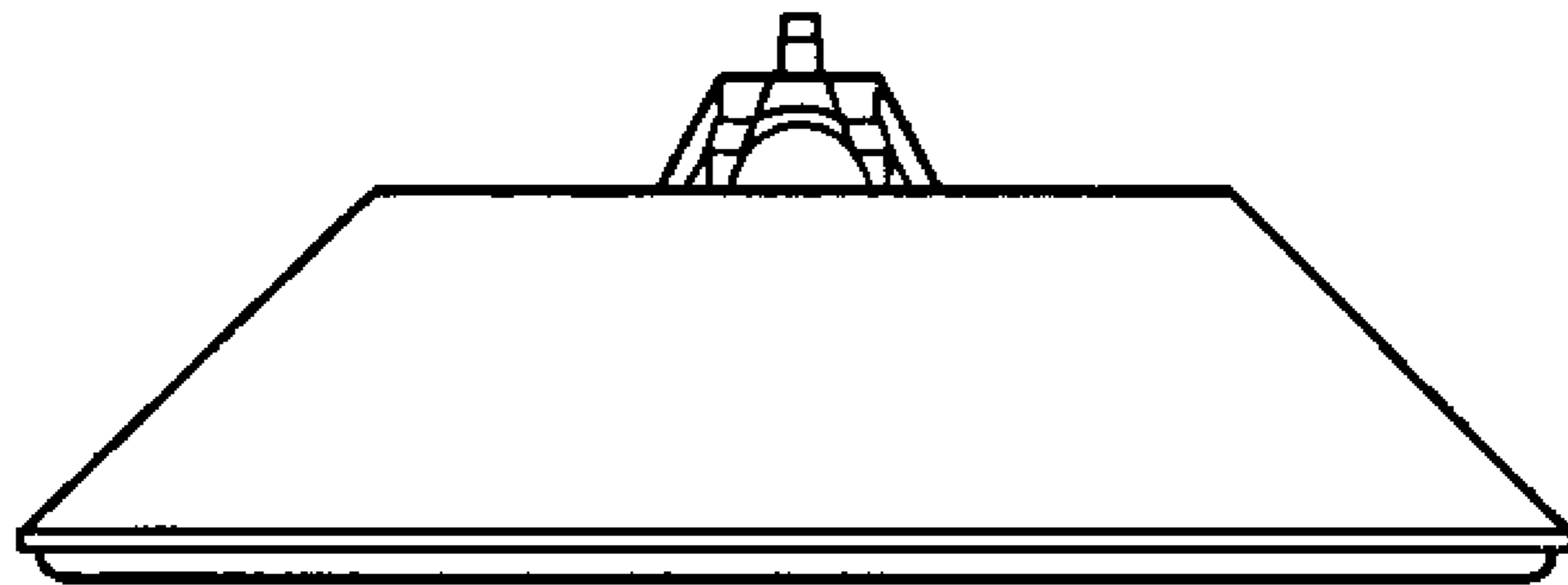


FIG. 11

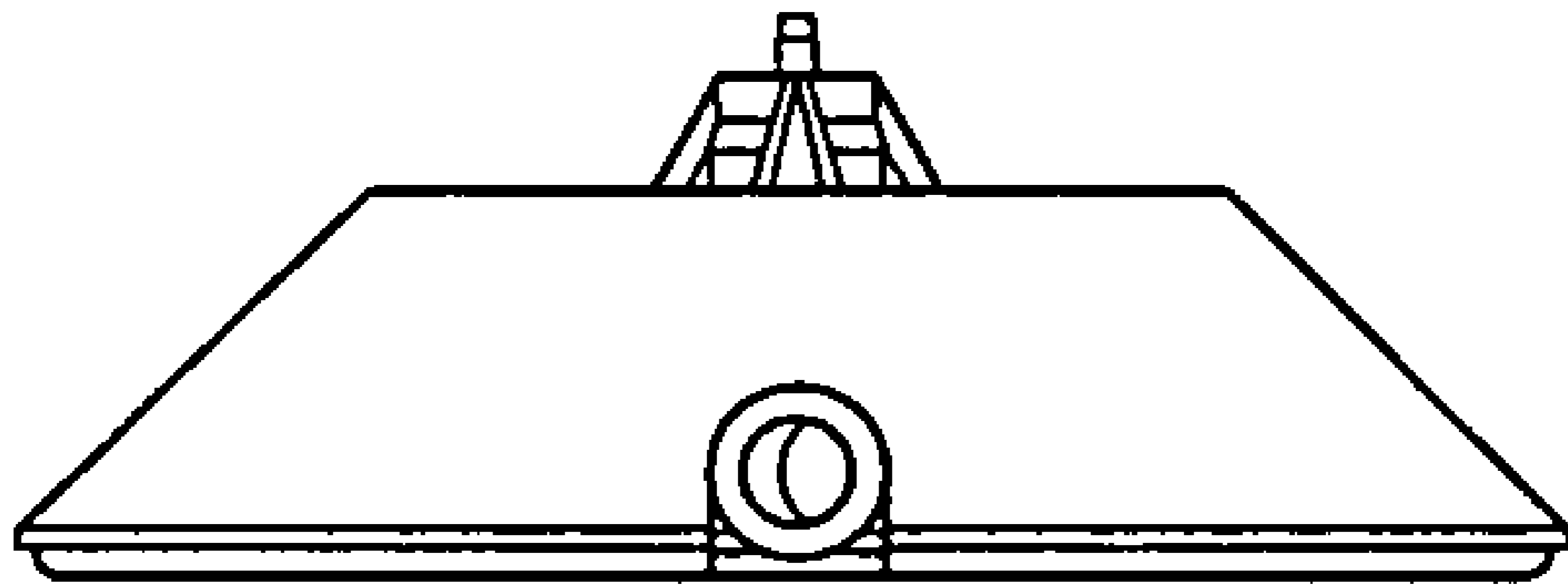


FIG. 12

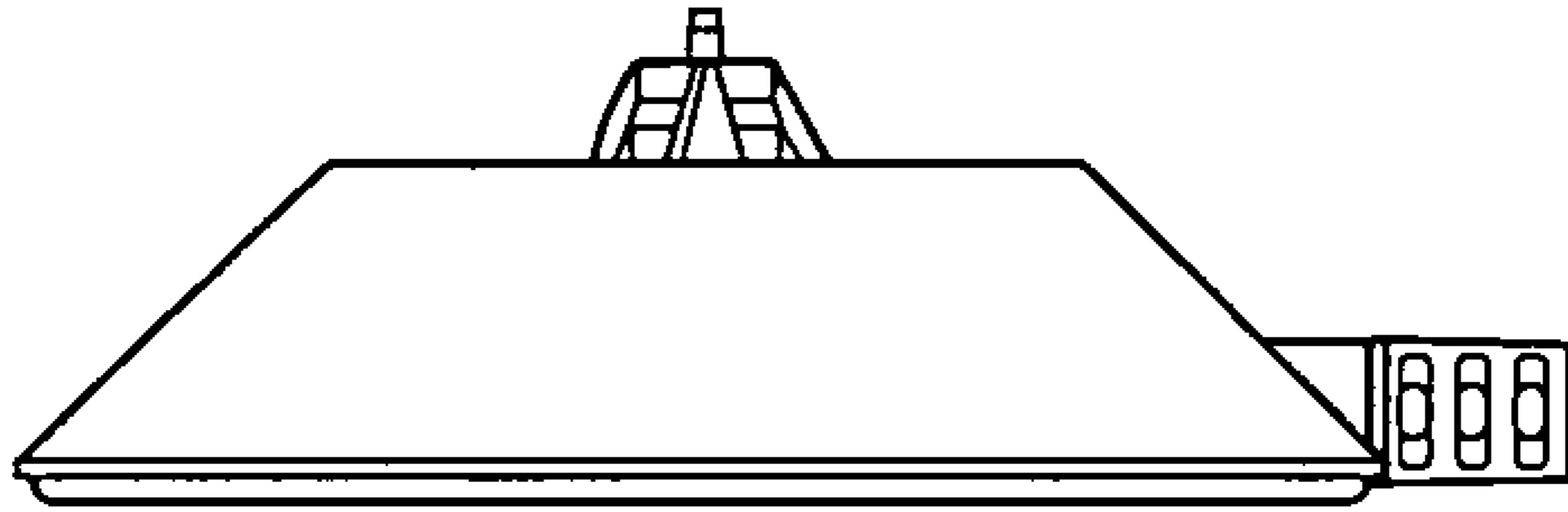


FIG. 13

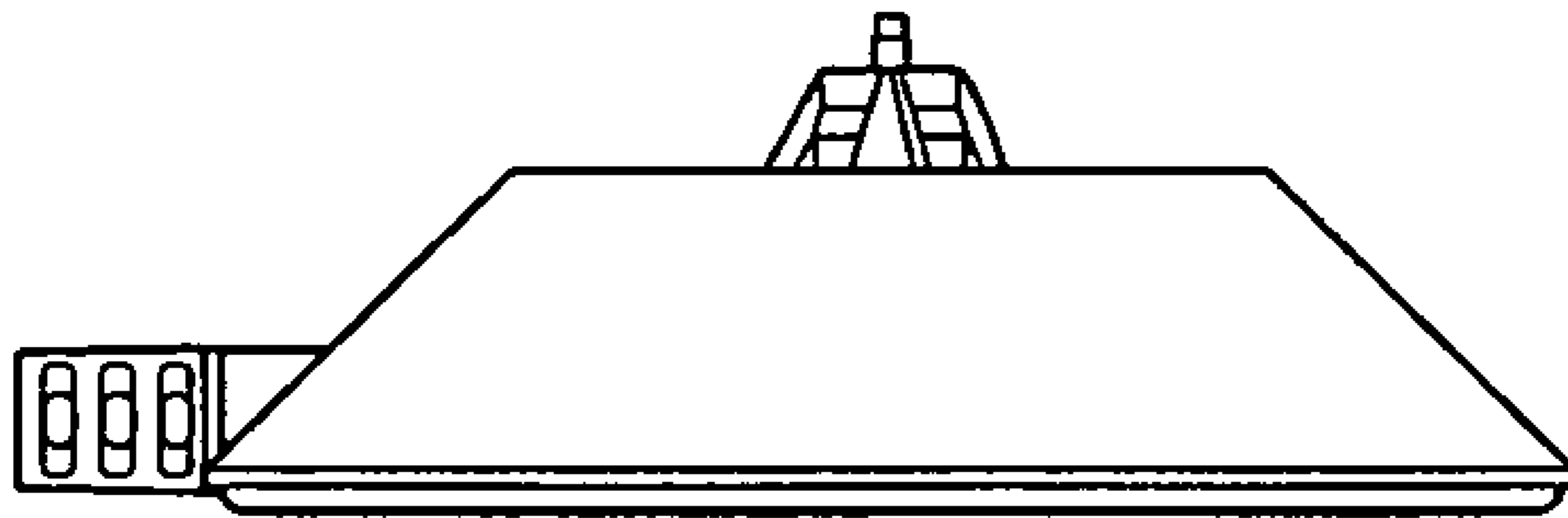


FIG. 14

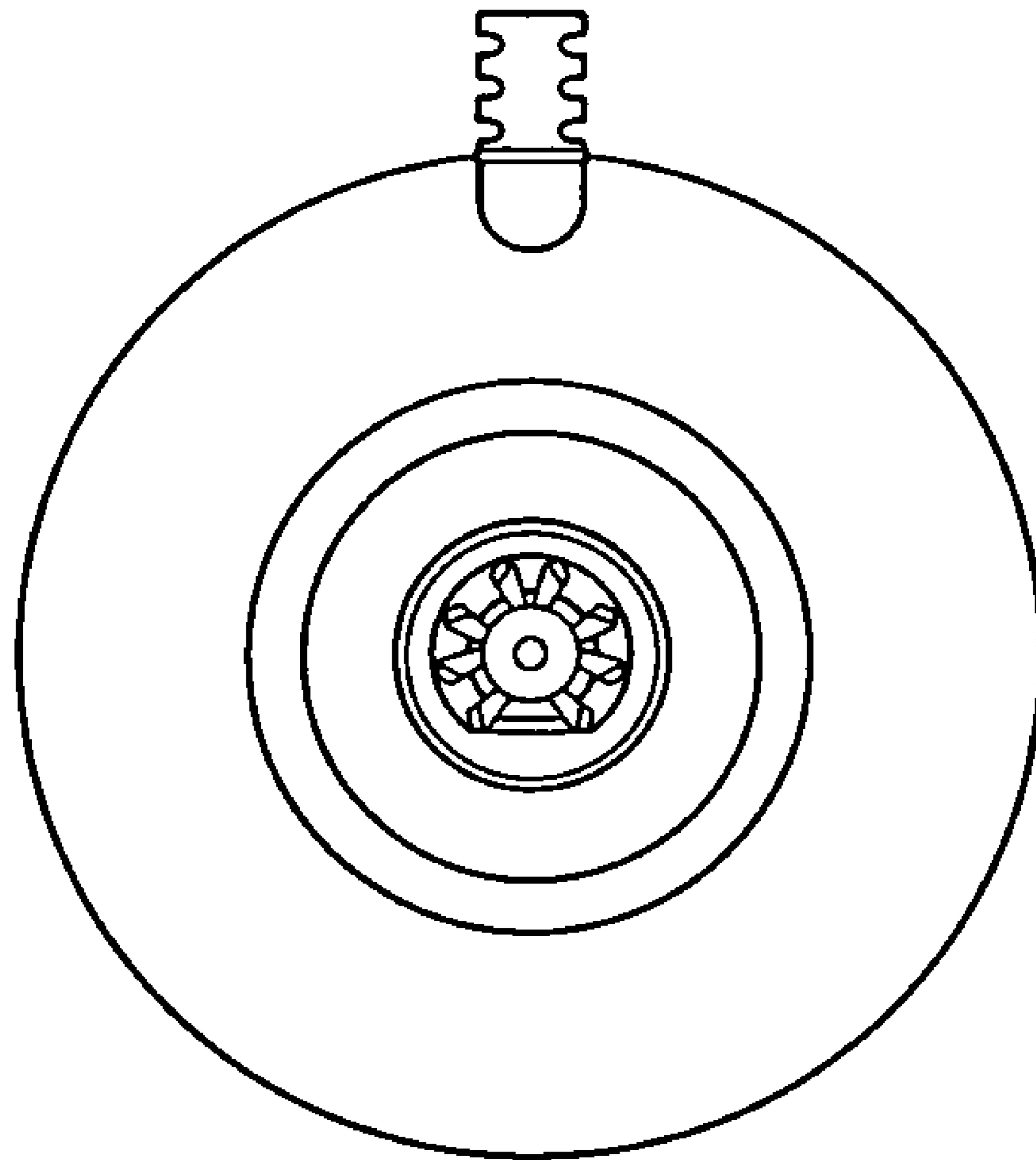


FIG. 15

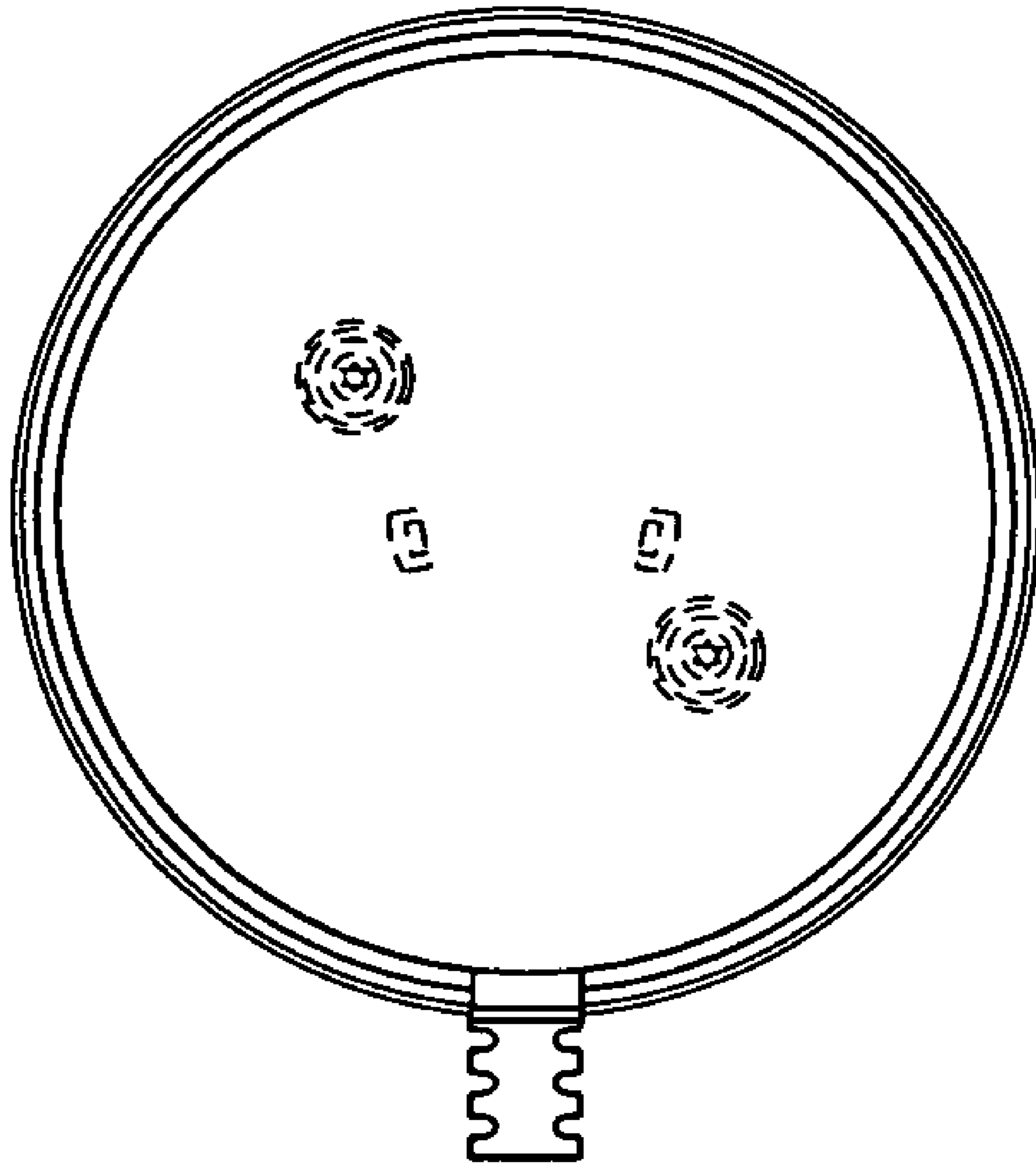


FIG. 16

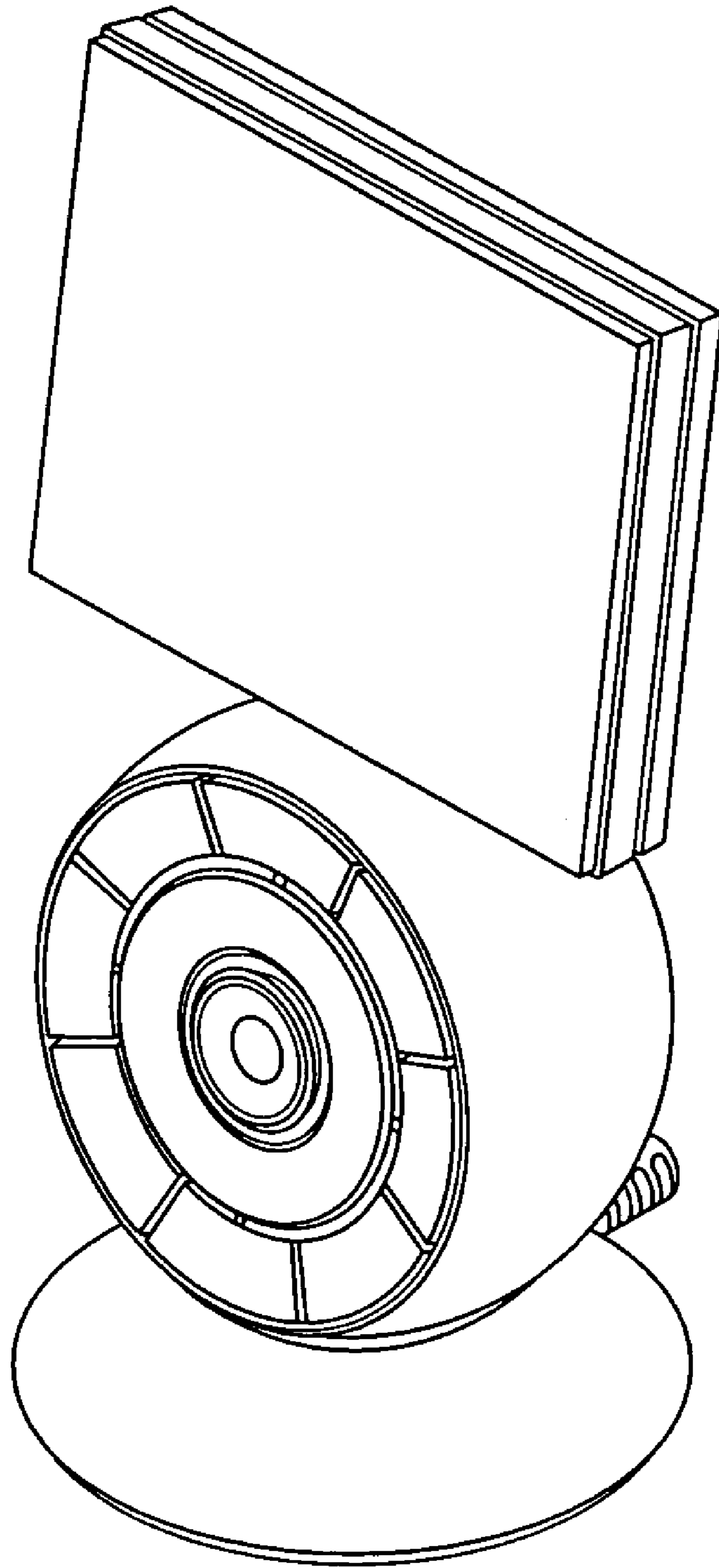


FIG. 17

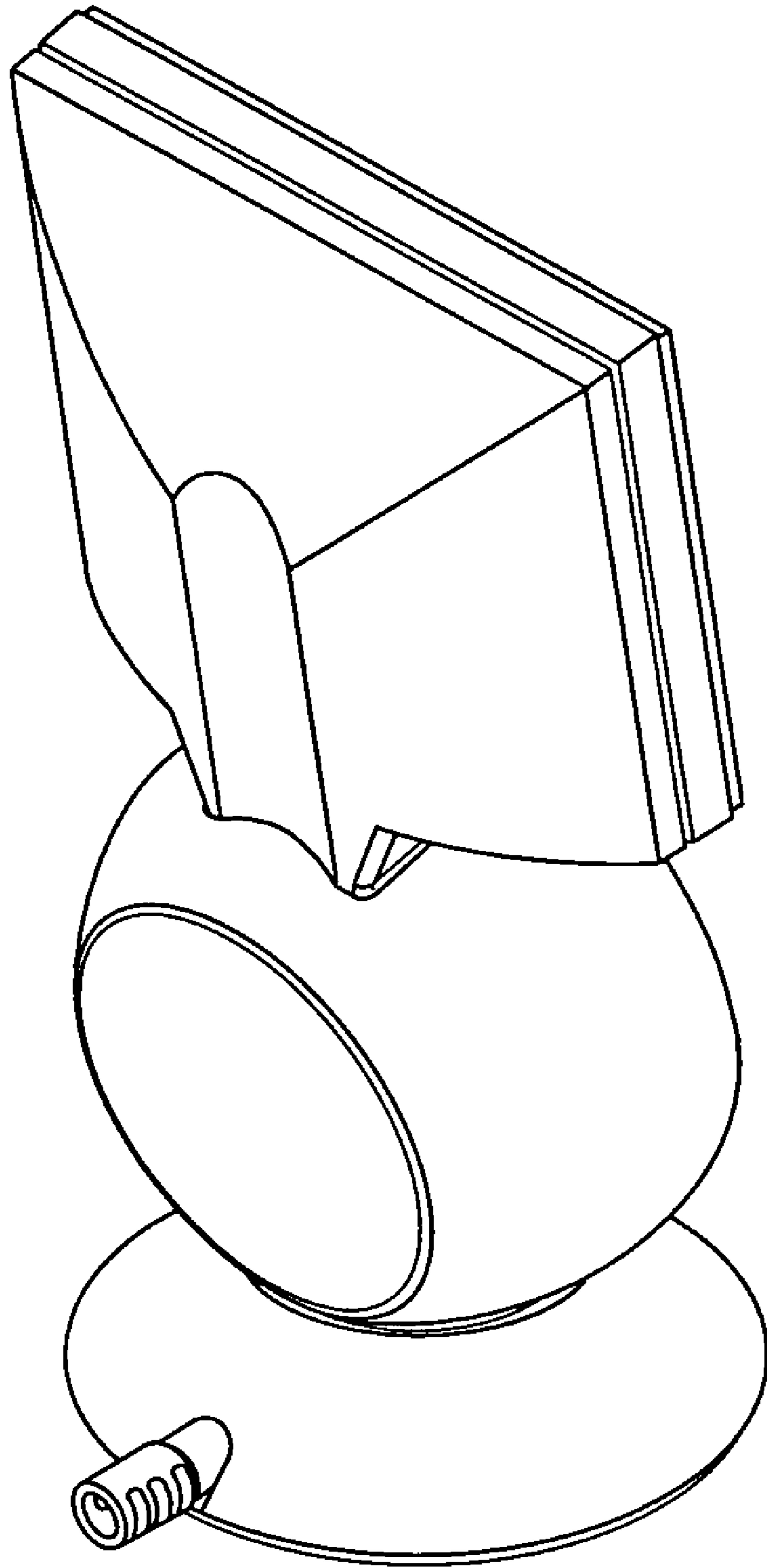


FIG. 18

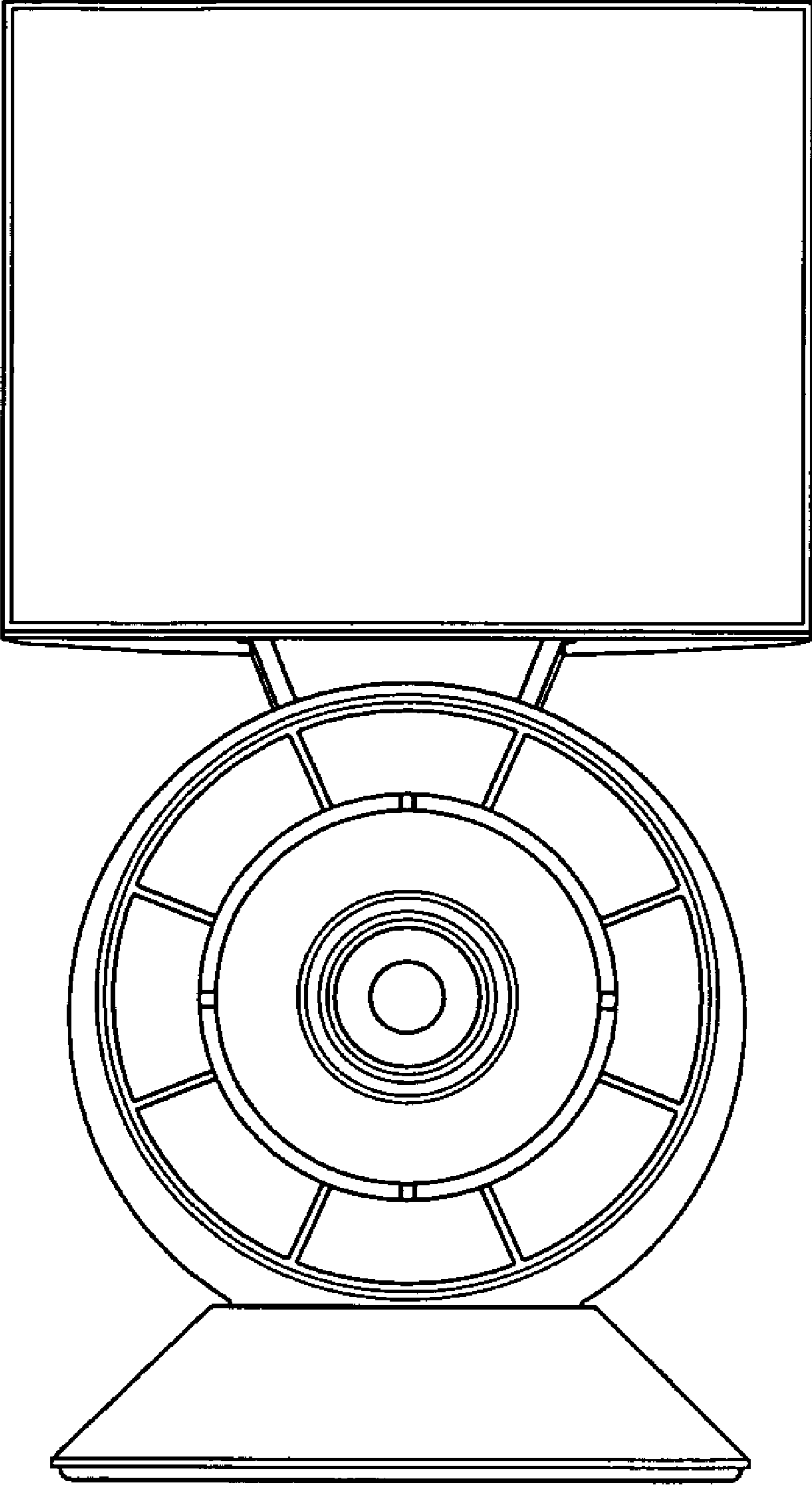


FIG. 19

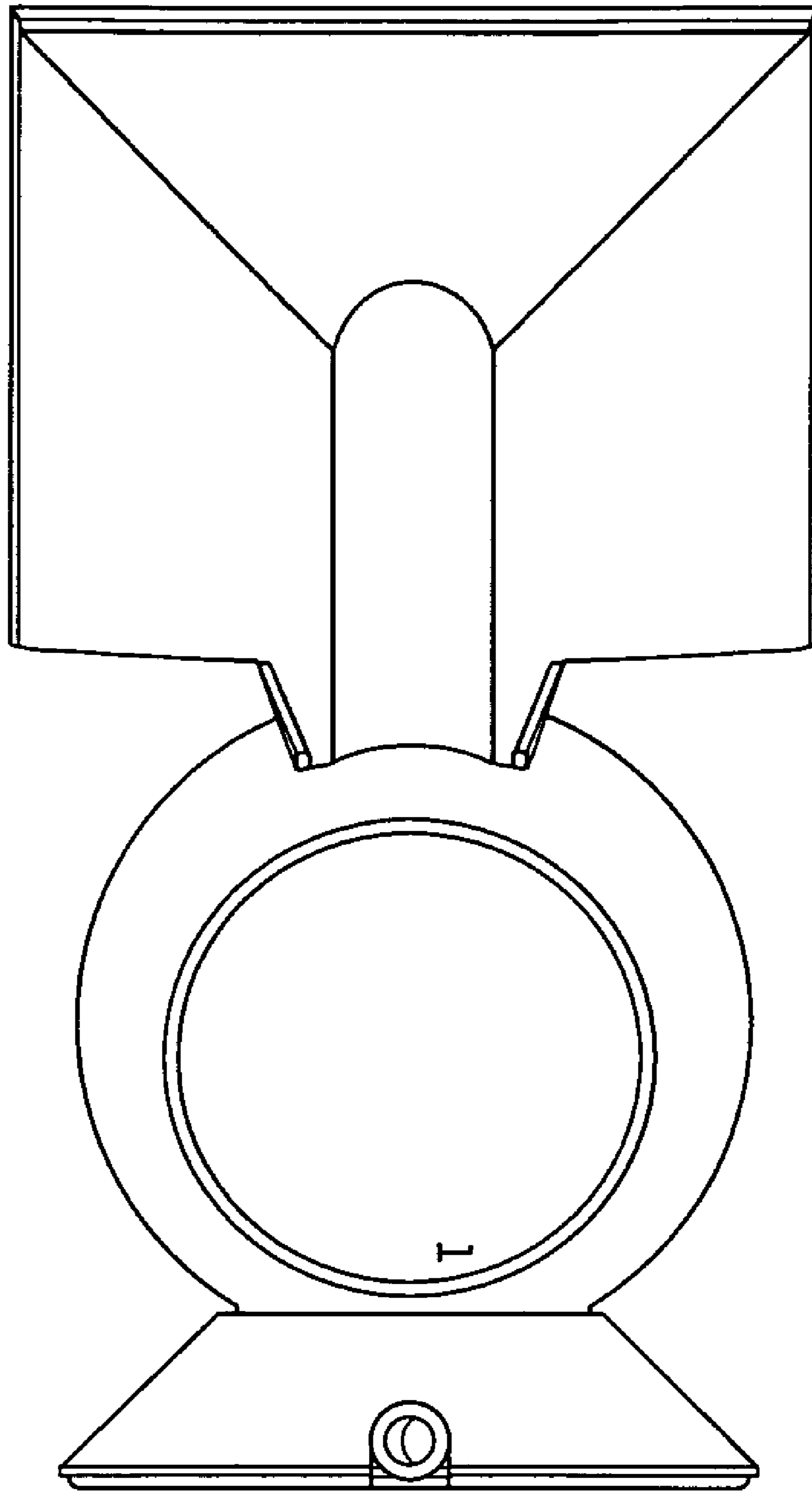


FIG. 20

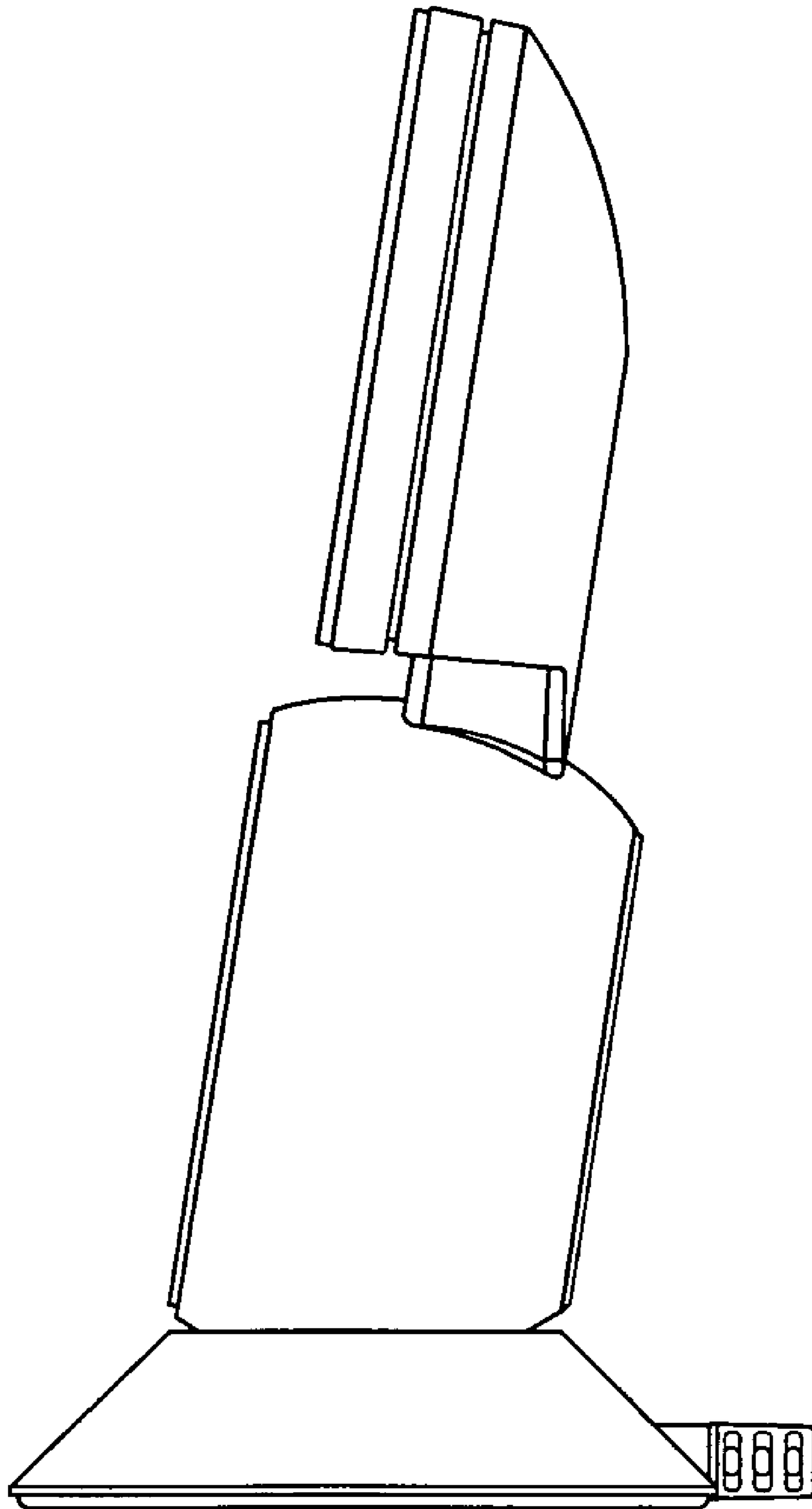


FIG. 21

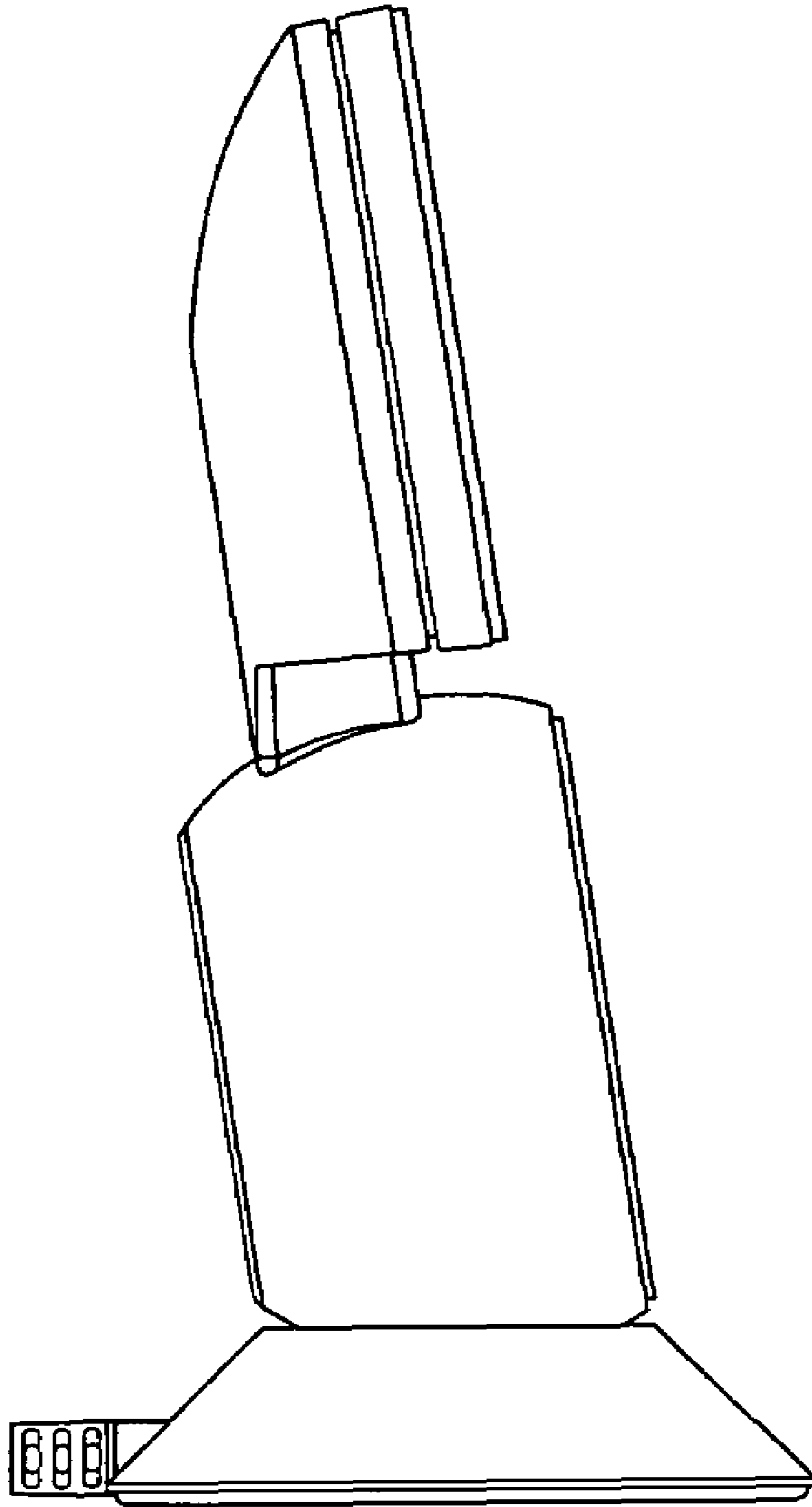


FIG. 22

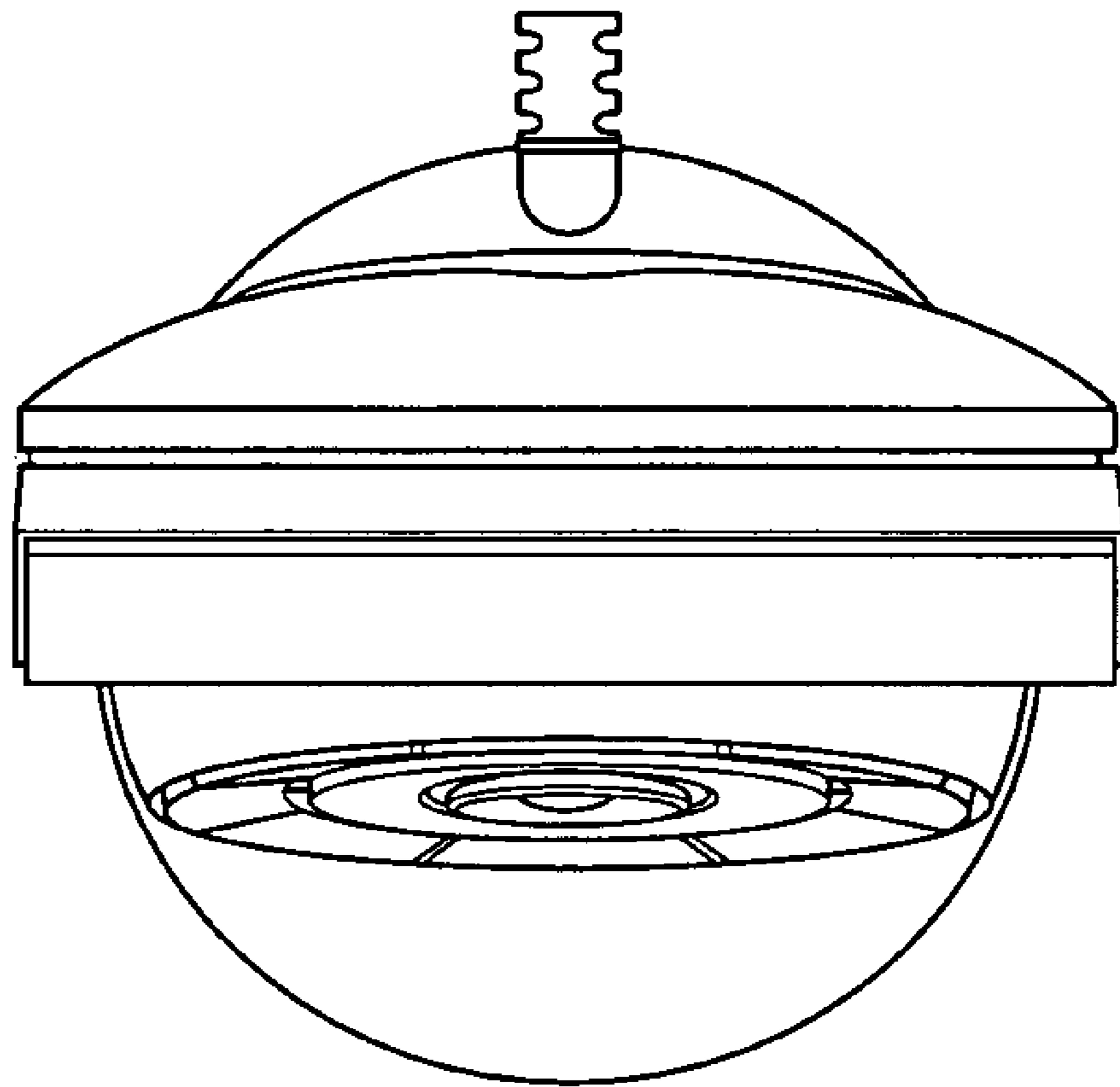


FIG. 23

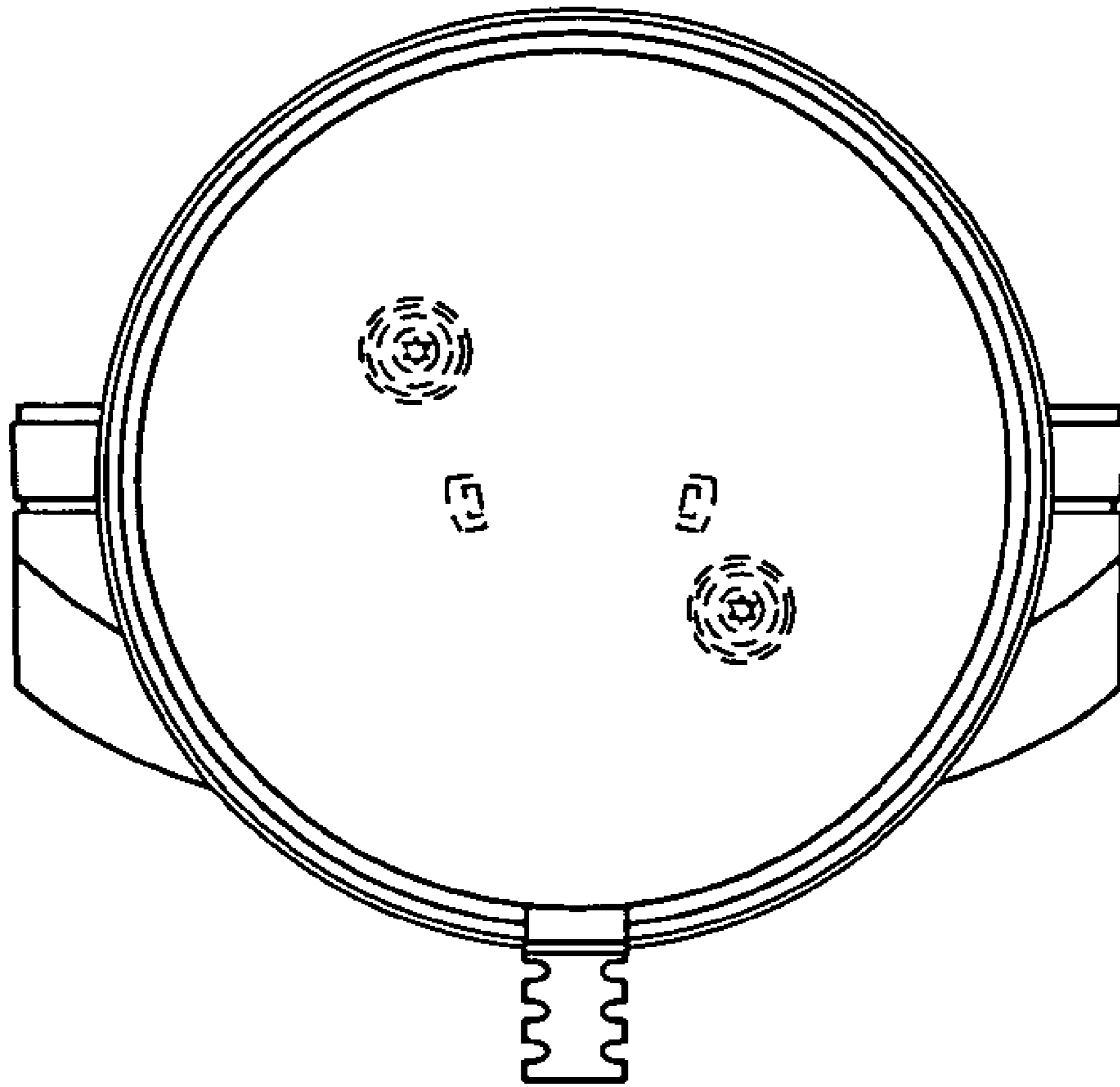


FIG. 24