

US00D590833S

(12) **United States Design Patent**  
**O'Connor**

(10) **Patent No.:** **US D590,833 S**

(45) **Date of Patent:** **\*\* Apr. 21, 2009**

(54) **COMPUTER STAND**

(75) Inventor: **John O'Connor**, Salt Lake City, UT  
(US)

(73) Assignee: **Industrialized Nation LLC**, Salt Lake  
City, UT (US)

(\*\*) Term: **14 Years**

(21) Appl. No.: **29/282,945**

(22) Filed: **Aug. 1, 2007**

(51) **LOC (9) Cl.** ..... **08-07**

(52) **U.S. Cl.** ..... **D14/447**

(58) **Field of Classification Search** ..... D14/432,  
D14/434, 439, 448, 457, 447, 451, 452; D6/396,  
D6/419, 420, 473, 474, 512; D19/92, 95;  
D23/370, 387; 248/917, 918, 919, 920, 921,  
248/922, 923, 924, 371, 393, 398, 176.1,  
248/176.2, 176.3, 188.6, 346.01, 346.03,  
248/346.06, 346.3, 346.4, 346.5, 441.1, 454,  
248/455, 456, 460; 312/223.3; 361/680,  
361/681, 683, 687, 688, 693, 694, 695; D13/179  
See application file for complete search history.

(56) **References Cited**

U.S. PATENT DOCUMENTS

264,234	A	*	9/1882	Bonnett et al.	.....	248/456
2,691,238	A	*	10/1954	Svatos	.....	248/456
D268,852	S	*	5/1983	Rasmussen	.....	D21/396
D283,472	S	*	4/1986	Wattles	.....	D6/463
D341,500	S	*	11/1993	Klein et al.	.....	D6/411
5,915,661	A	*	6/1999	Silverman et al.	.....	248/465.1
6,234,432	B1	*	5/2001	Piller et al.	.....	248/129
D530,540	S	*	10/2006	Stravitz	.....	D6/473
D557,048	S	*	12/2007	Reichert	.....	D6/512

D560,671 S \* 1/2008 Muday et al. .... D14/451  
D561,562 S \* 2/2008 Wohlford et al. .... D8/354

\* cited by examiner

*Primary Examiner*—Jennifer Rivard

*Assistant Examiner*—Angela J Lee

(74) *Attorney, Agent, or Firm*—Trent H. Baker; Baker &  
Associates PLLC

(57) **CLAIM**

The ornamental design for a computer stand, as shown and  
described.

**DESCRIPTION**

FIG. 1 is a perspective view of the computer stand showing  
the design in a collapsed configuration;

FIG. 2 is a front view of the computer stand;

FIG. 3 is a rear view of the computer stand;

FIG. 4 is a top view of the computer stand;

FIG. 5 is a bottom view of the computer stand;

FIG. 6 is a right side view of the computer stand;

FIG. 7 is a left side view of the computer stand;

FIG. 8 is a perspective view of the computer stand in an  
elevated configuration;

FIG. 9 is a front view of the computer stand;

FIG. 10 is a rear view of the computer stand;

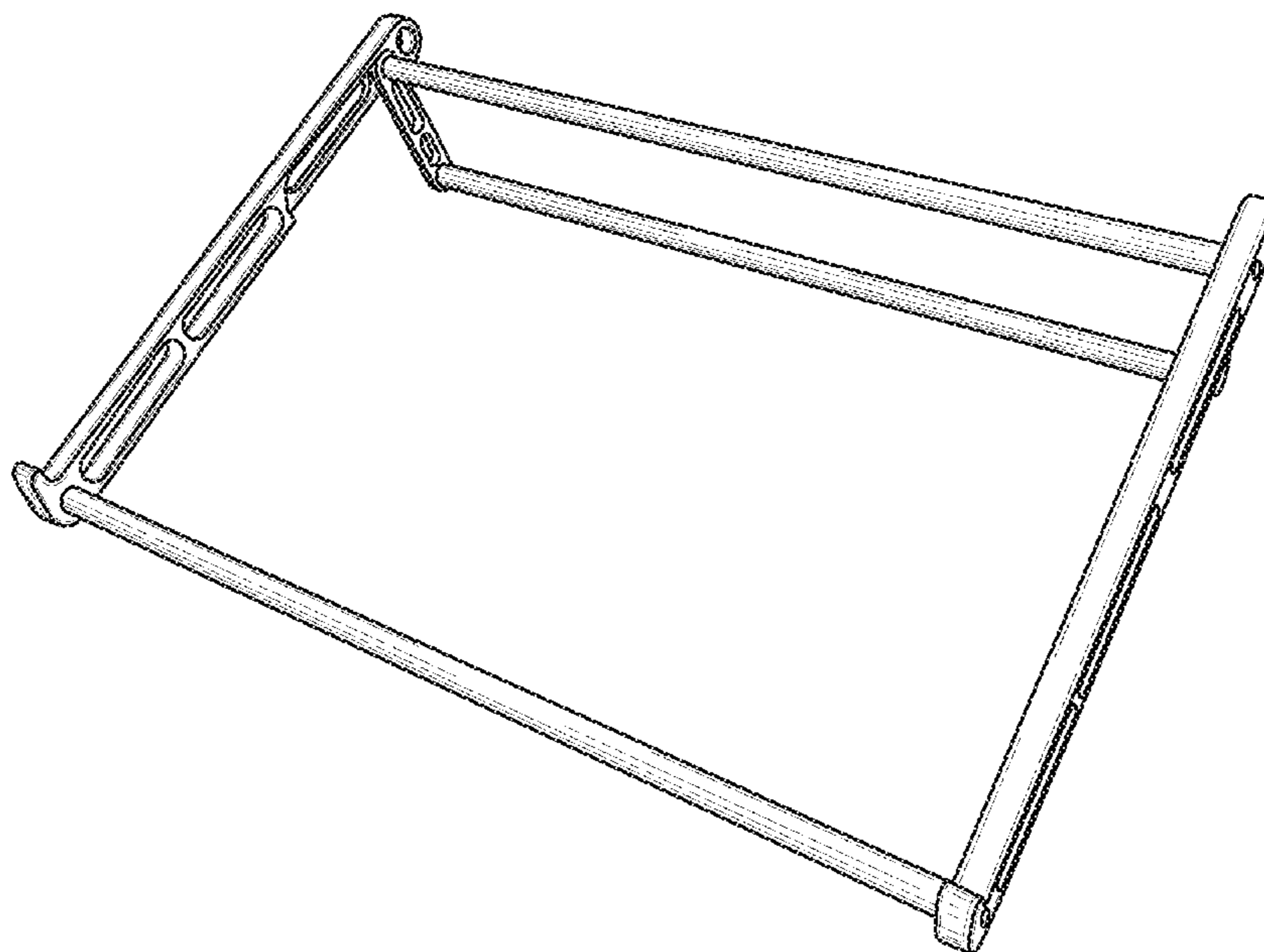
FIG. 11 is a top view of the computer stand;

FIG. 12 is a bottom view of the computer stand;

FIG. 13 is a right side view of the computer stand; and,

FIG. 14 is a left side view of the computer stand.

**1 Claim, 10 Drawing Sheets**



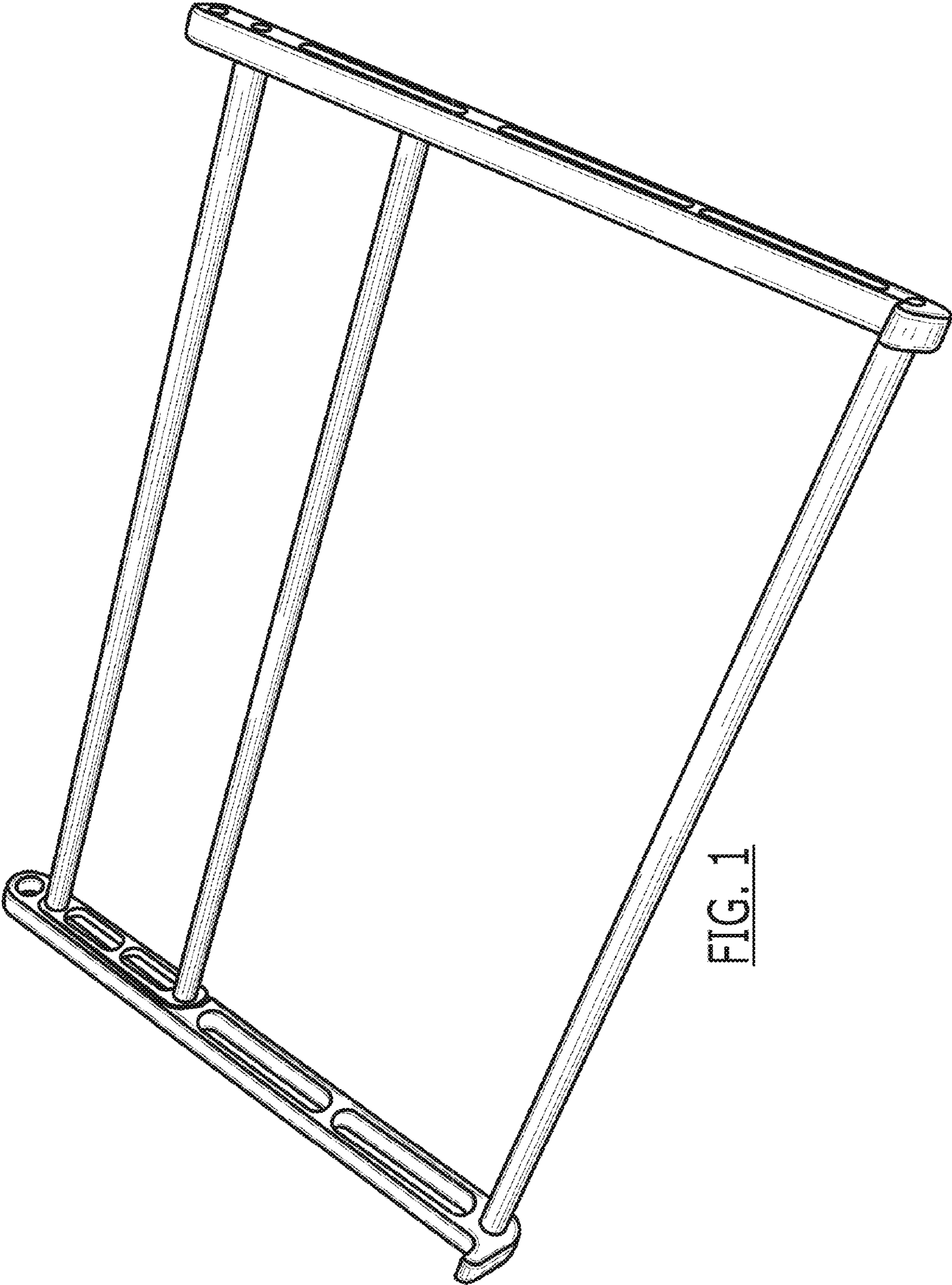


FIG. 1

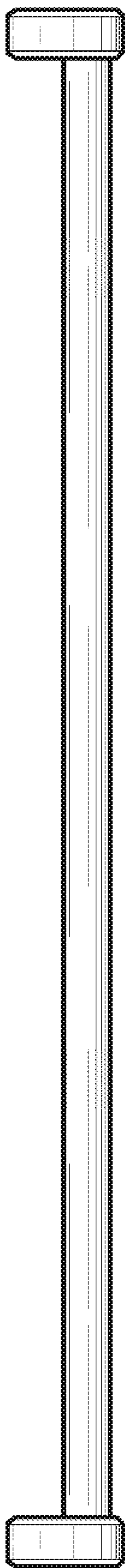


FIG. 2

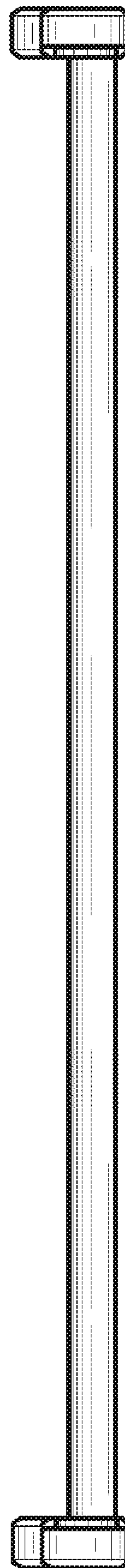


FIG. 3

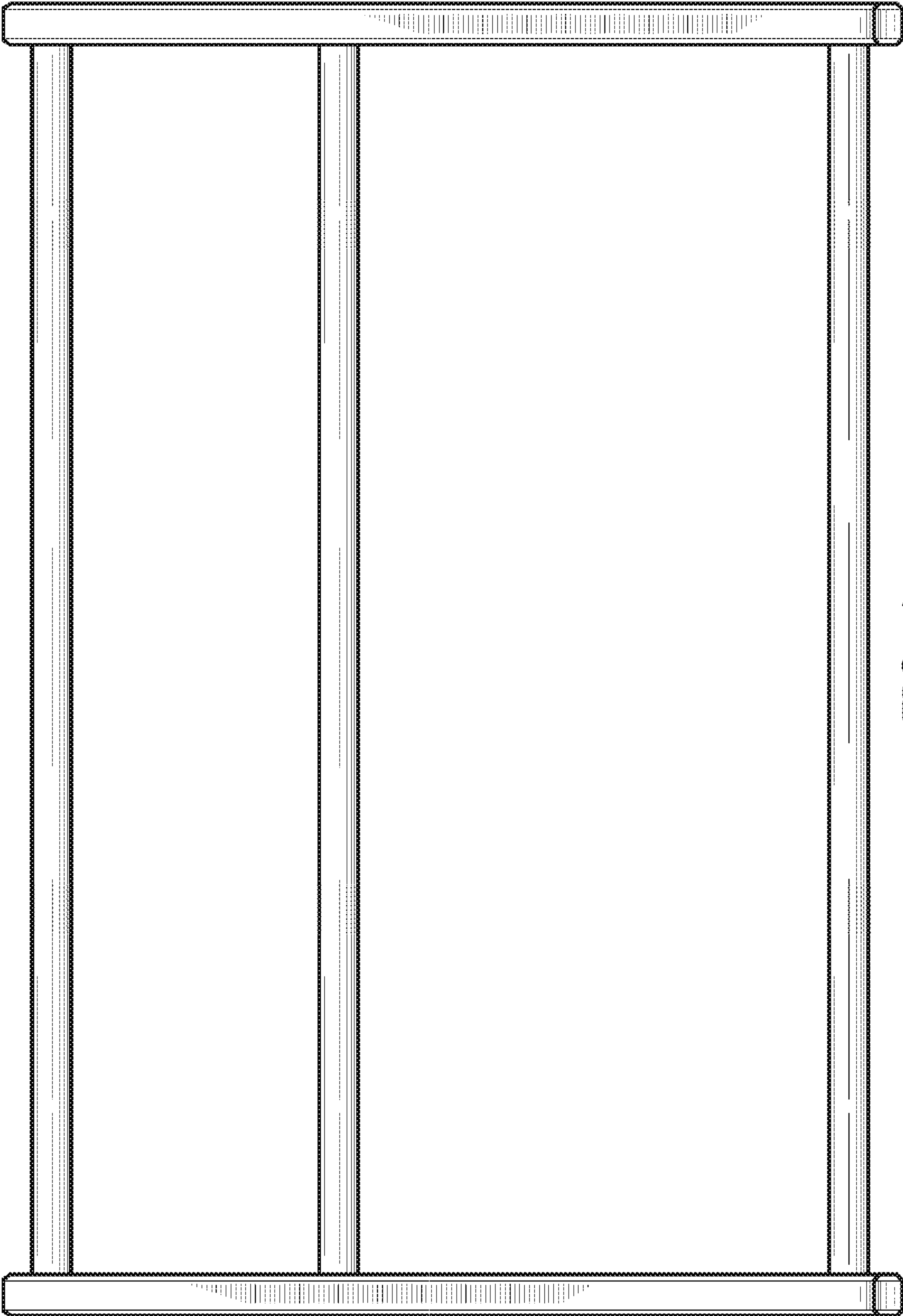


FIG. 4

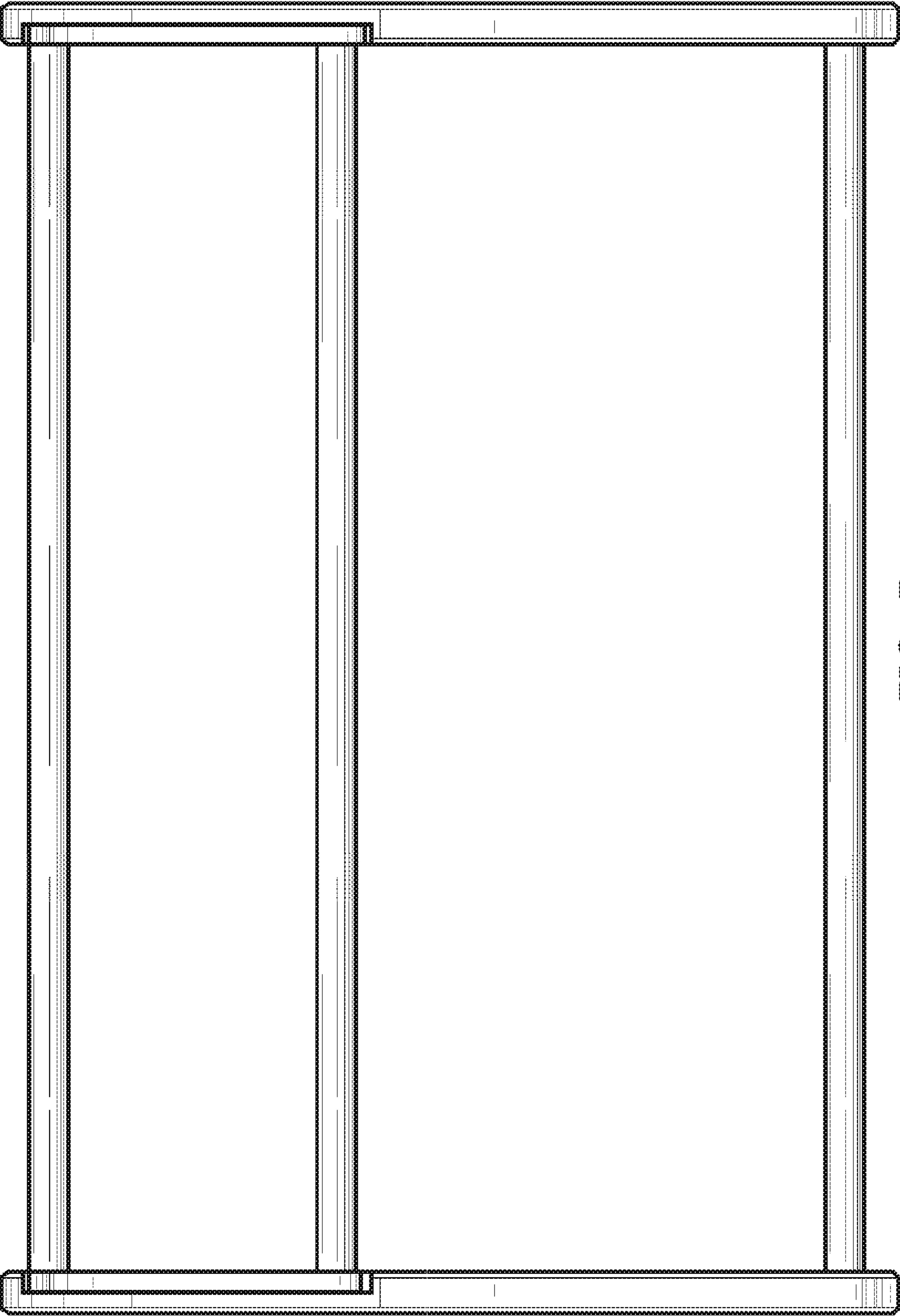


FIG. 5

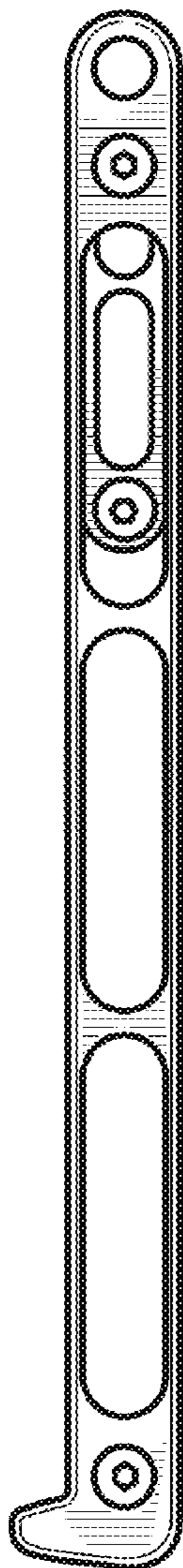


FIG. 6

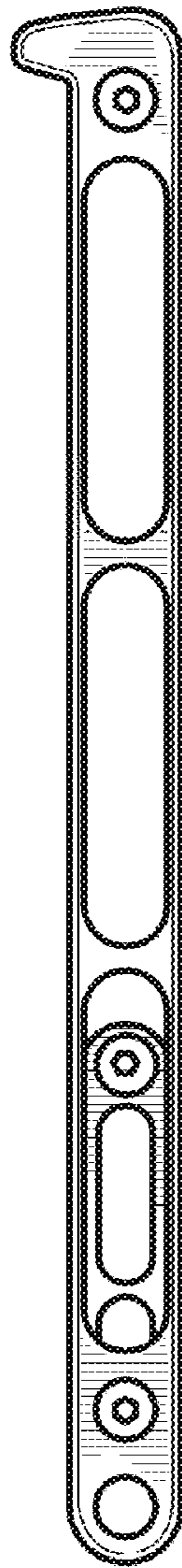


FIG. 7

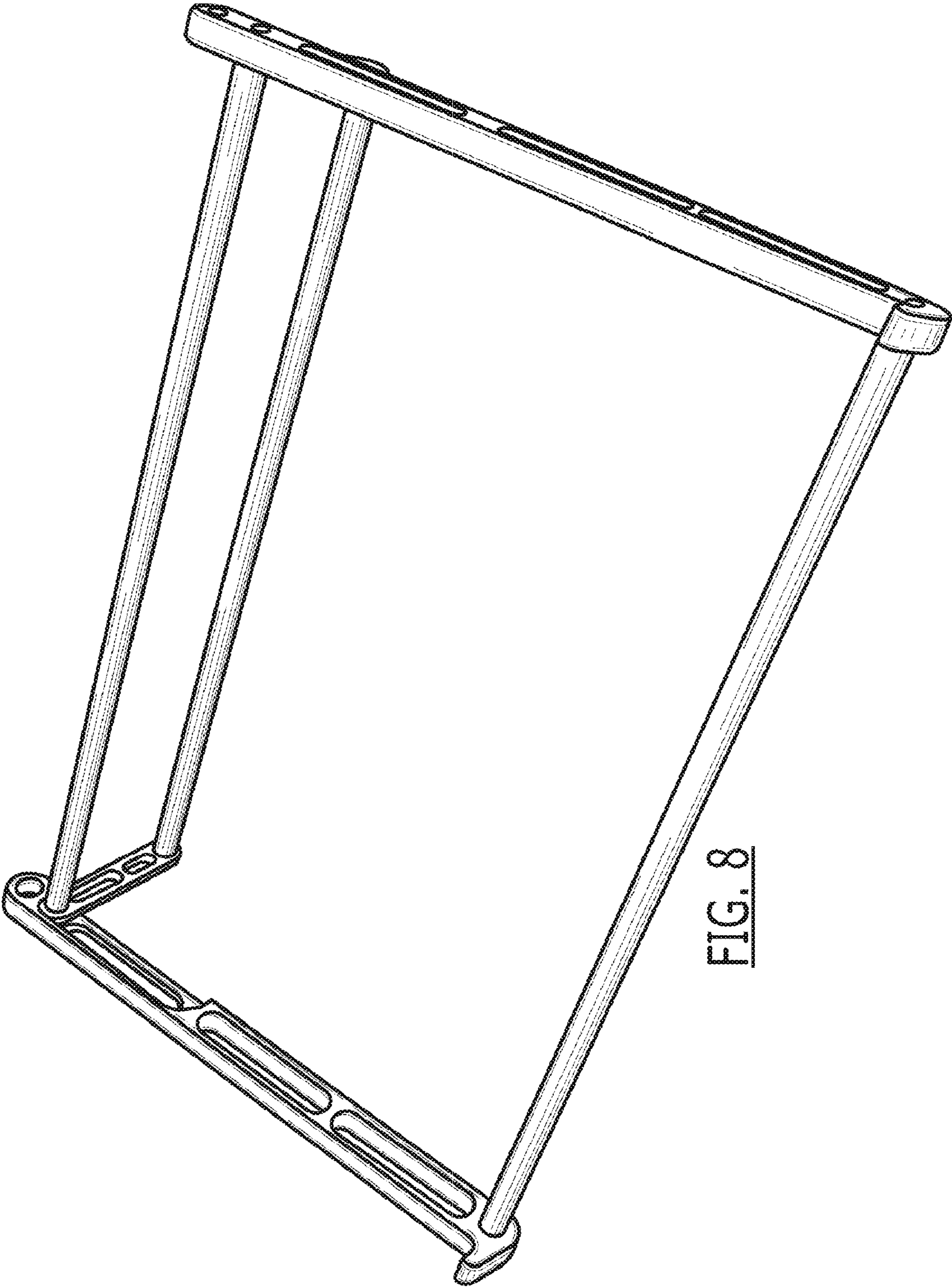


FIG. 8

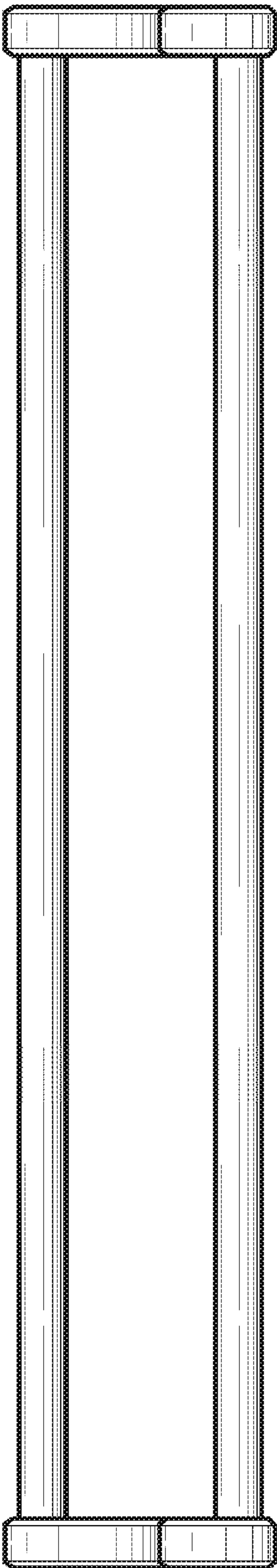


FIG. 9

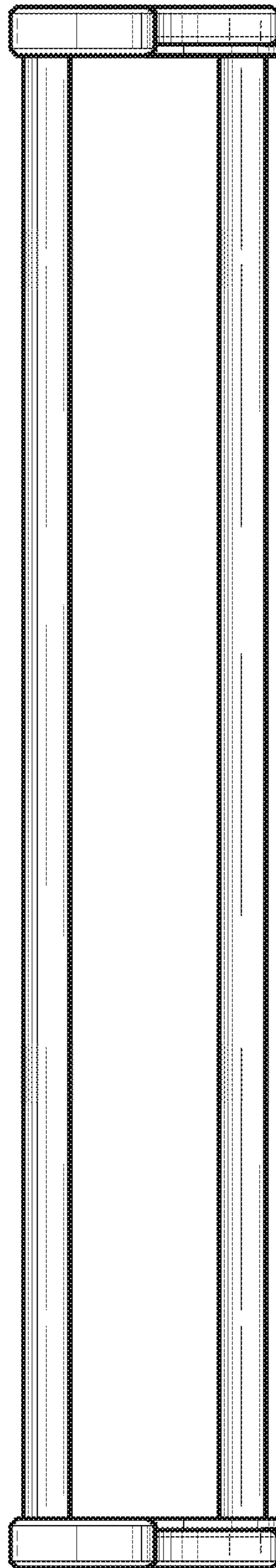


FIG. 10



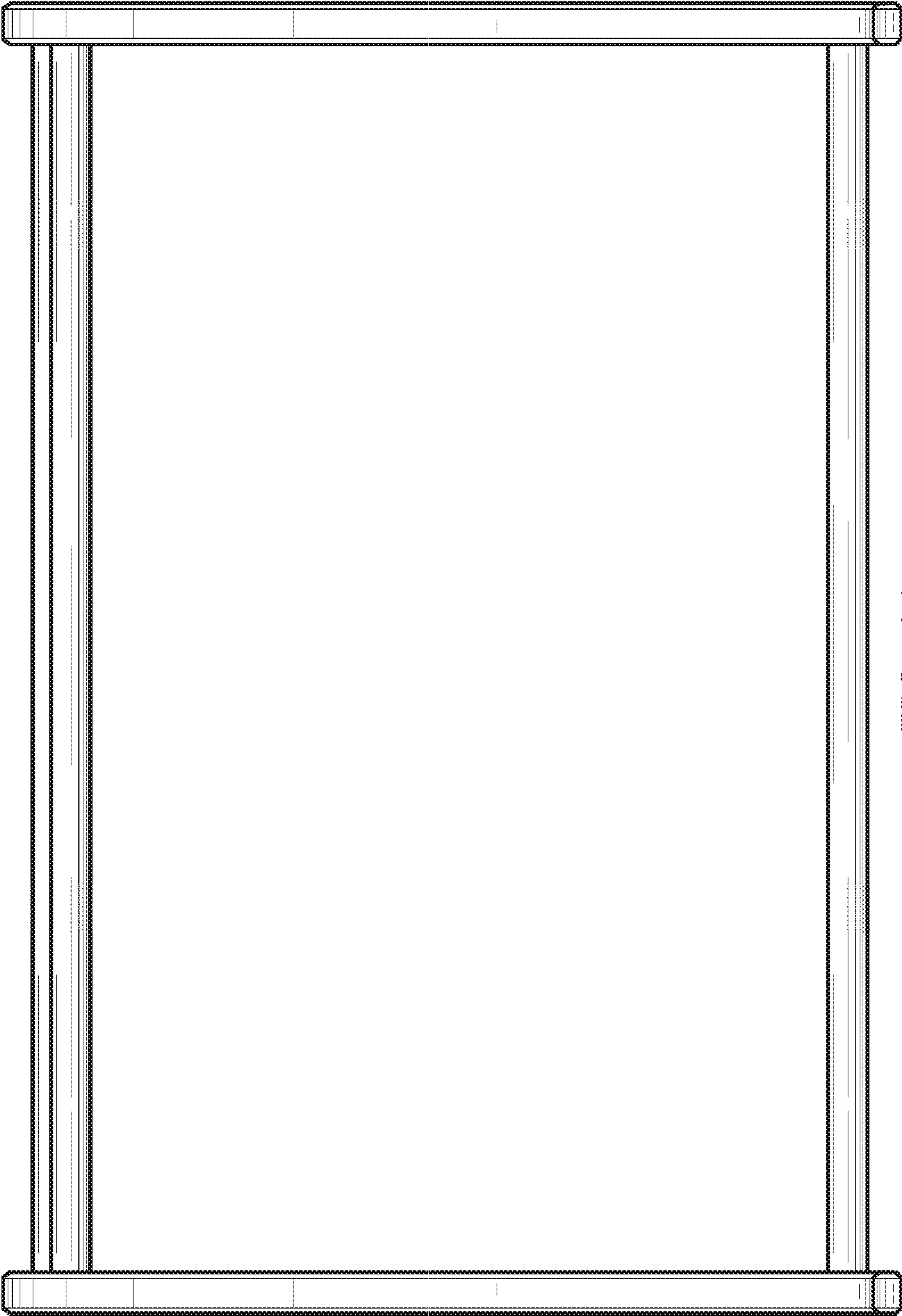


FIG. 11

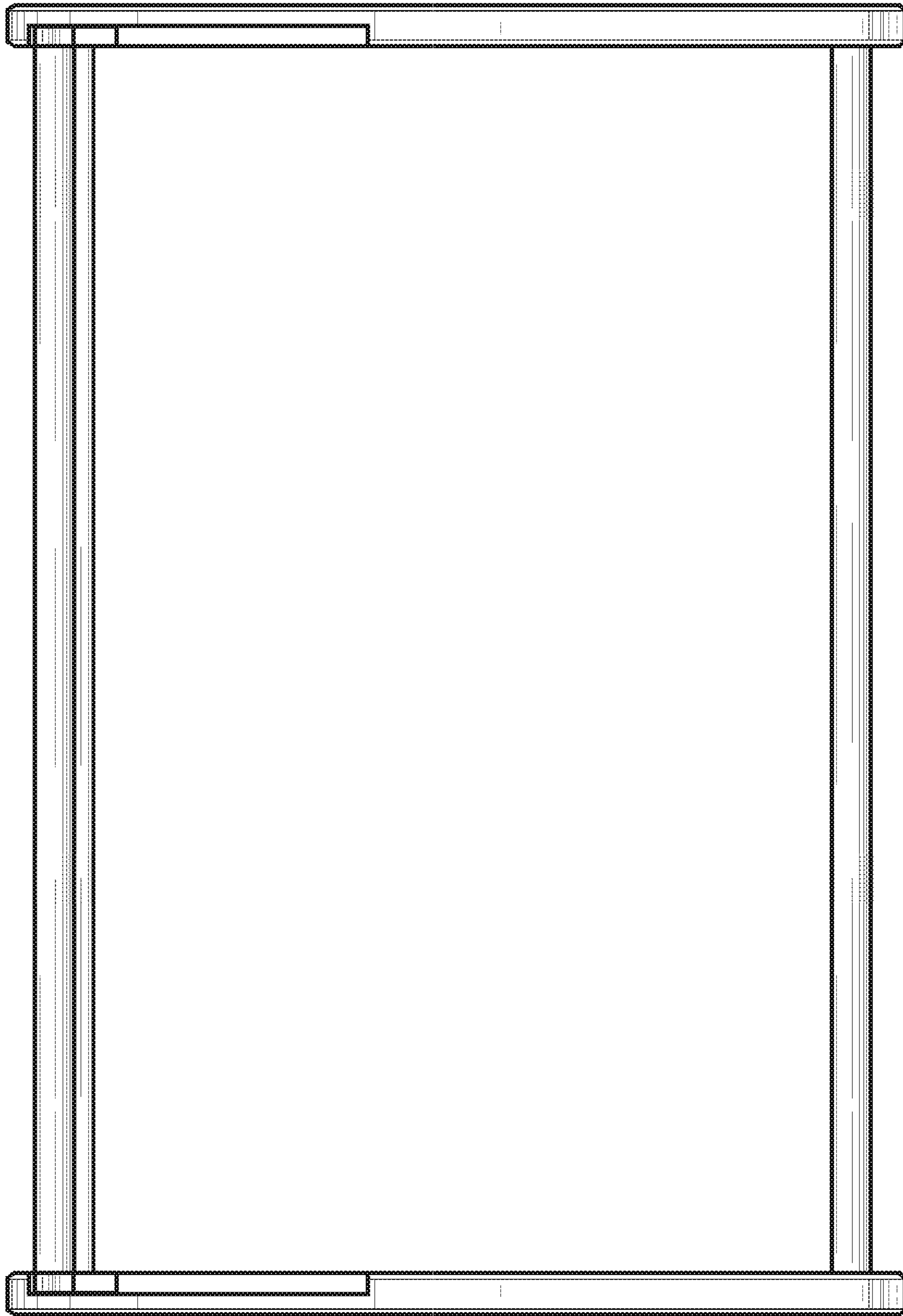


FIG. 12

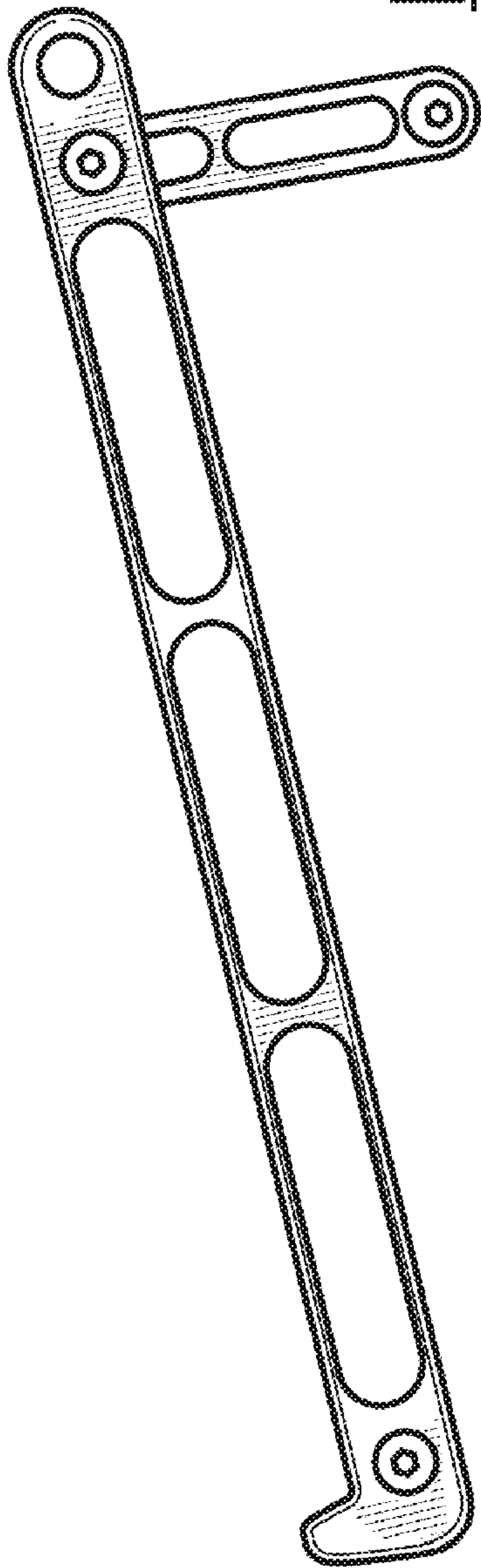


FIG. 13

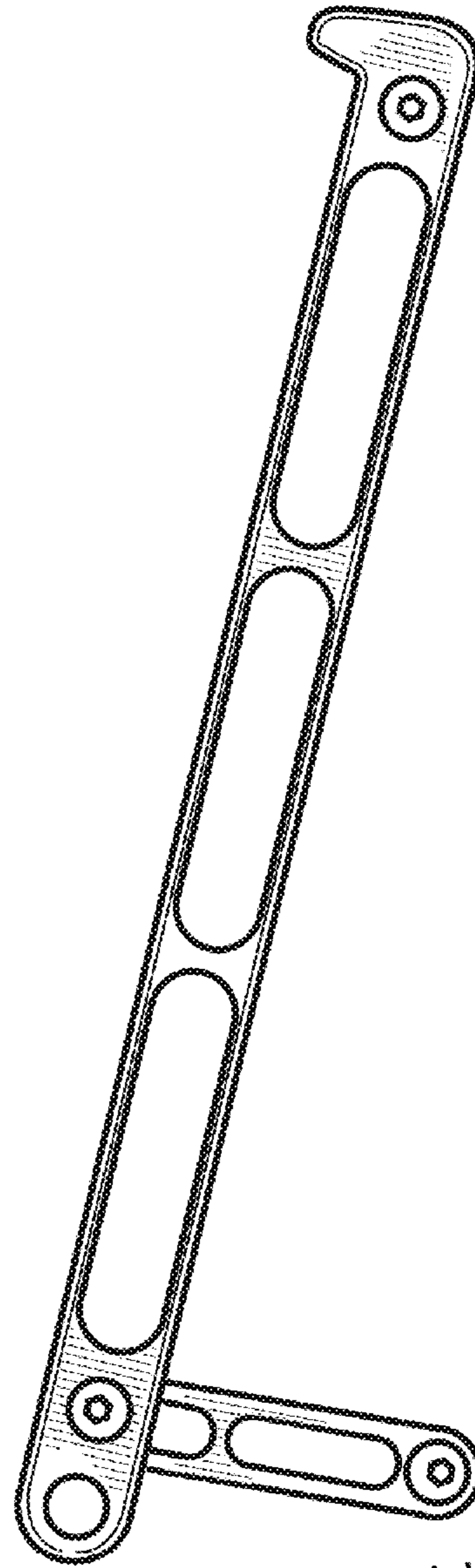


FIG. 14