



US00D590832S

(12) **United States Design Patent**
Hinshaw et al.

(10) **Patent No.:** **US D590,832 S**
(45) **Date of Patent:** **** Apr. 21, 2009**

(54) **BACKLIT FACEPLATE FOR COMPUTER CABINET**

(75) Inventors: **Foster Hinshaw**, Somerville, MA (US);
John Chiu, Lexington, MA (US)

(73) Assignee: **Dataupia Corporation**, Cambridge, MA (US)

(**) Term: **14 Years**

(21) Appl. No.: **29/286,556**

(22) Filed: **May 9, 2007**

(51) **LOC (9) Cl.** **14-02**

(52) **U.S. Cl.** **D14/441; D14/439**

(58) **Field of Classification Search** D14/300–303,
D14/308, 314, 348, 349, 351–355, 363–370,
D14/439–447; D13/133, 154, 158, 173,
D13/177, 184, 199; 312/223.2; 361/680–686,
361/690–696; 369/34.01, 36.01
See application file for complete search history.

(56) **References Cited**

U.S. PATENT DOCUMENTS

D310,070 S *	8/1990	Makidera	D14/308
D432,131 S *	10/2000	Jones et al.	D14/417
D478,077 S *	8/2003	Poole et al.	D14/349
6,636,426 B2 *	10/2003	Inman	361/724
6,643,126 B2 *	11/2003	Su	361/685
D484,884 S *	1/2004	Chen et al.	D14/441
D485,275 S *	1/2004	Chen et al.	D14/441
D487,265 S *	3/2004	Kumano et al.	D14/349
D490,435 S *	5/2004	Chen et al.	D14/443
D509,217 S *	9/2005	Peng et al.	D14/349
D514,570 S *	2/2006	Ohta	D14/384
D525,259 S *	7/2006	Xu et al.	D14/444
D525,260 S *	7/2006	Xu et al.	D14/444
D526,318 S *	8/2006	Neal et al.	D14/349
D527,002 S *	8/2006	Frank et al.	D14/349
D530,718 S *	10/2006	Neal et al.	D14/444

7,133,293 B2 *	11/2006	Fiorentino et al.	361/752
7,230,827 B2 *	6/2007	Sun et al.	361/695
D547,315 S *	7/2007	Yang et al.	D14/441
7,411,783 B2 *	8/2008	Su	361/683
2001/0046123 A1 *	11/2001	Wedding	361/727
2003/0002295 A1	1/2003	Musumeci		

* cited by examiner

Primary Examiner—Cathron C Brooks

Assistant Examiner—Deanna Fluegeman

(74) *Attorney, Agent, or Firm*—Goodwin Procter LLP

(57) **CLAIM**

The ornamental design for a backlit faceplate for computer cabinet, as shown and described.

DESCRIPTION

FIG. 1 is a perspective front view of a backlit faceplate incorporating my design, shown installed on a computer;

FIG. 2 is a perspective front view of the faceplate, shown removed from a computer;

FIG. 3 is a perspective front view of the faceplate;

FIG. 4 is a perspective rear view of the faceplate;

FIG. 5 is a front elevation of the faceplate;

FIG. 6 is a rear elevation of the faceplate;

FIG. 7 is a top view of the faceplate;

FIG. 8 is a bottom view of the faceplate;

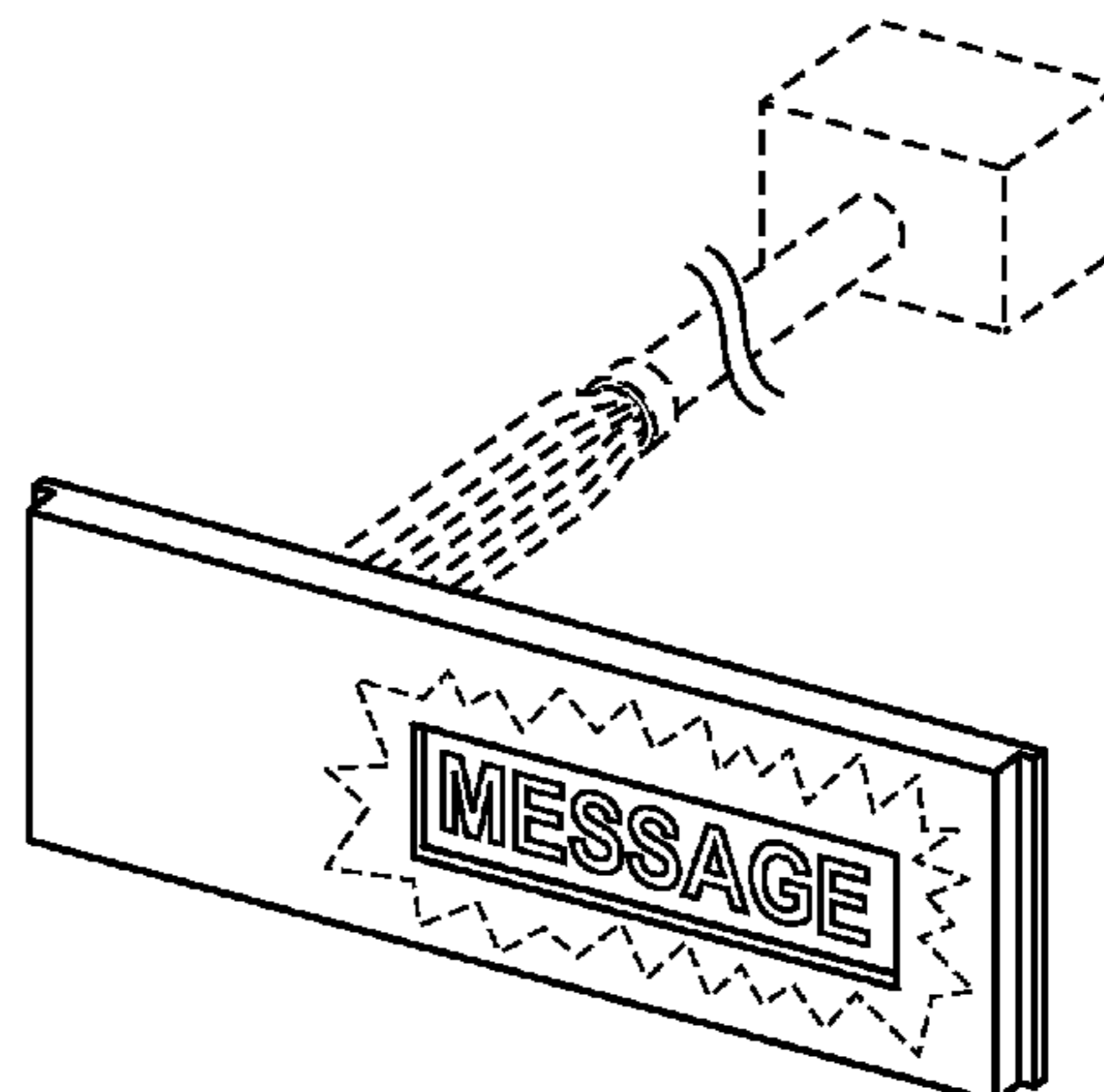
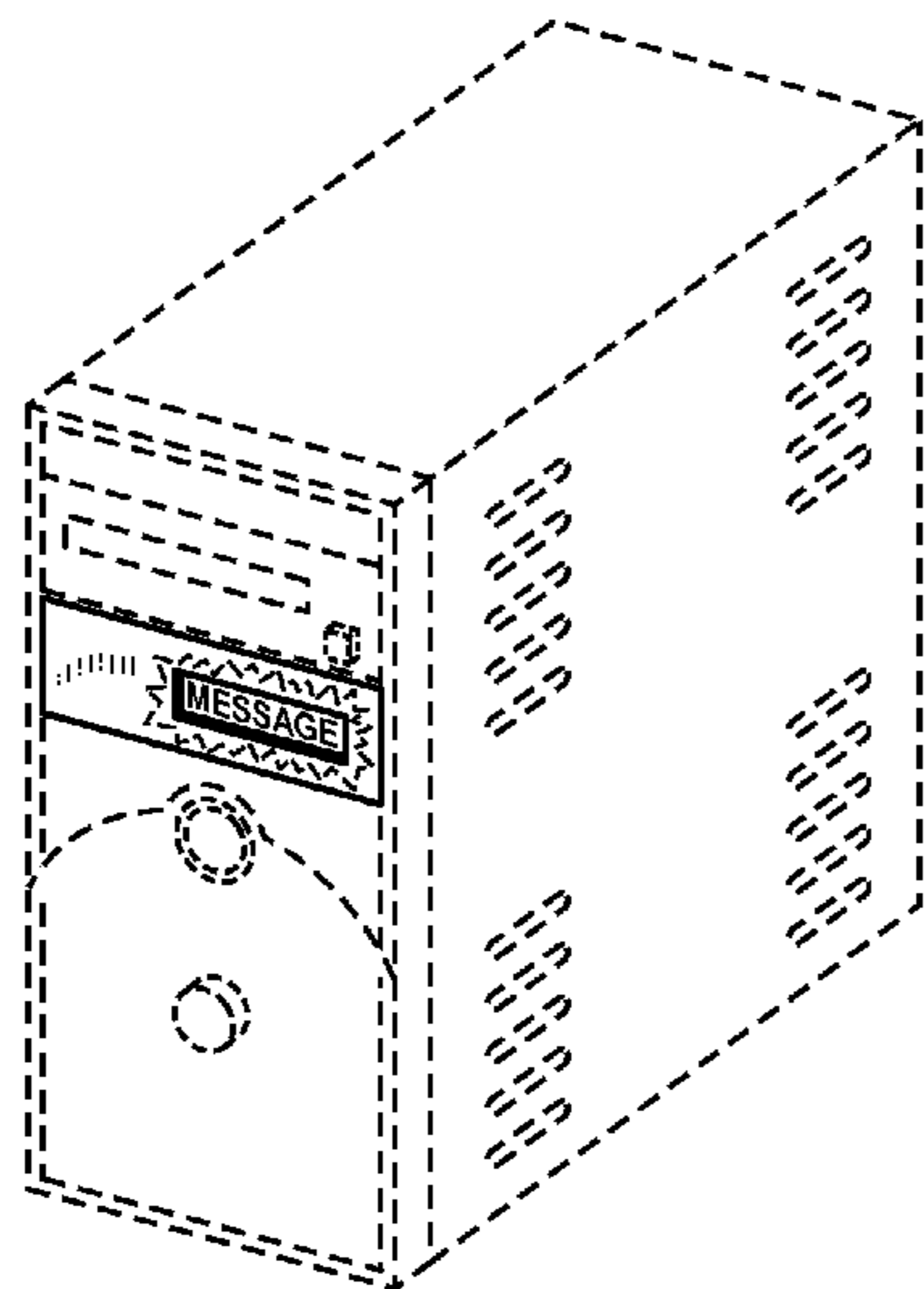
FIG. 9 is a left-side elevation of the faceplate; and,

FIG. 10 is a right-side elevation of the faceplate.

The portions of the backlit faceplate for computer cabinet shown in broken lines form no part of the claimed design.

The jagged broken line surrounding the message window in FIGS. 1, 2, 3, and 5 indicates that the message window is illuminated and this illumination is part of the claimed design.

1 Claim, 3 Drawing Sheets



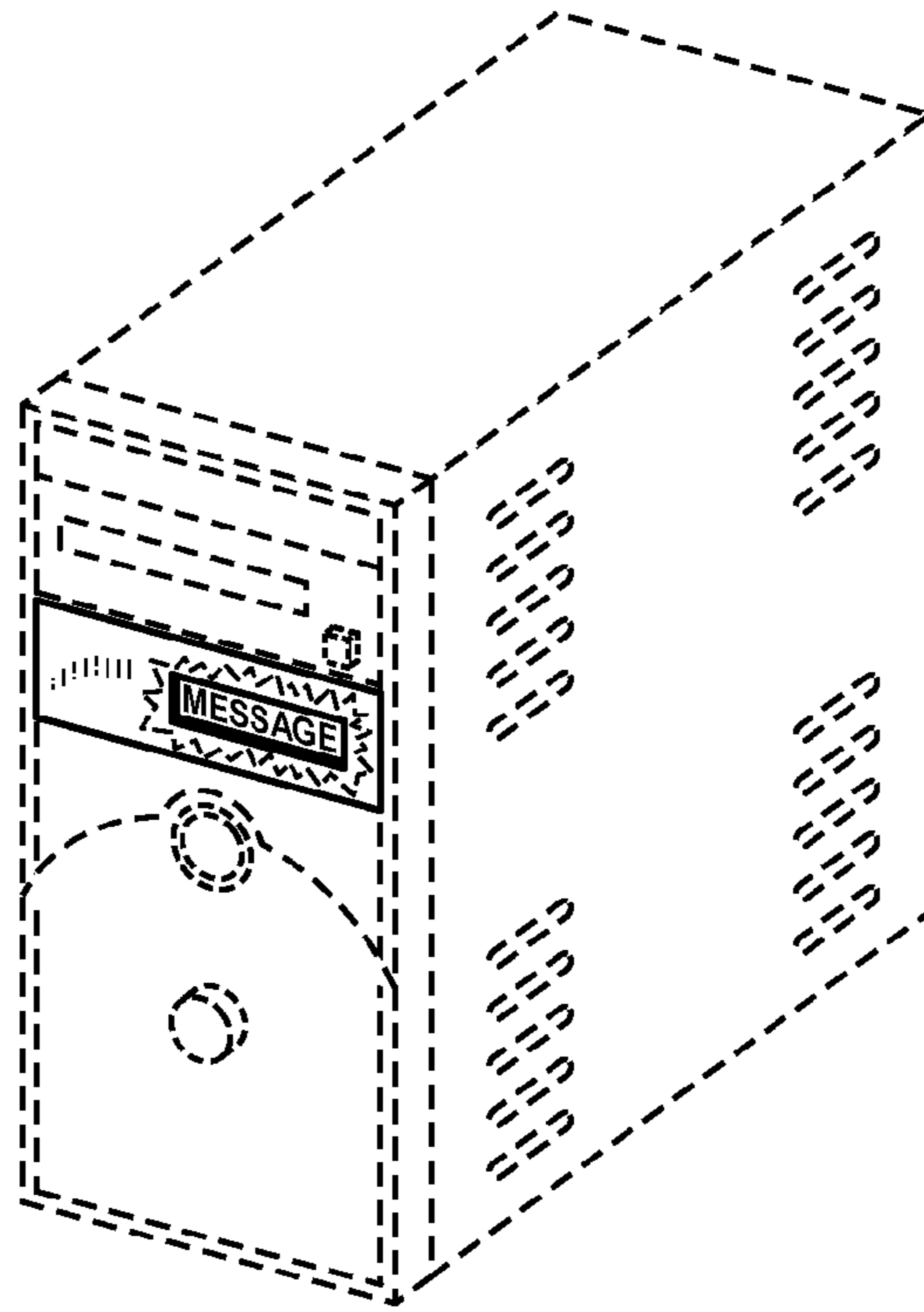


FIG. 1

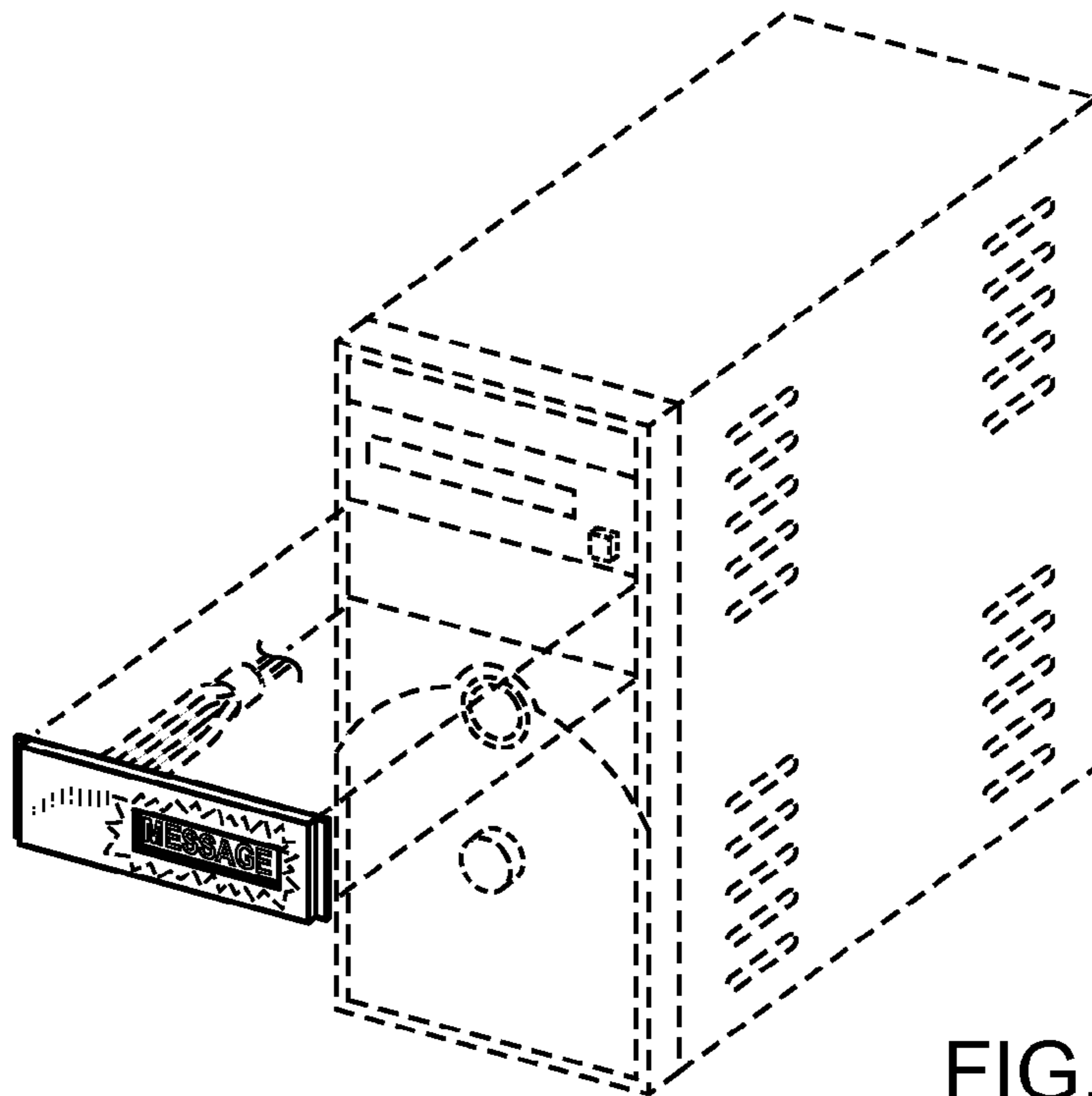


FIG. 2

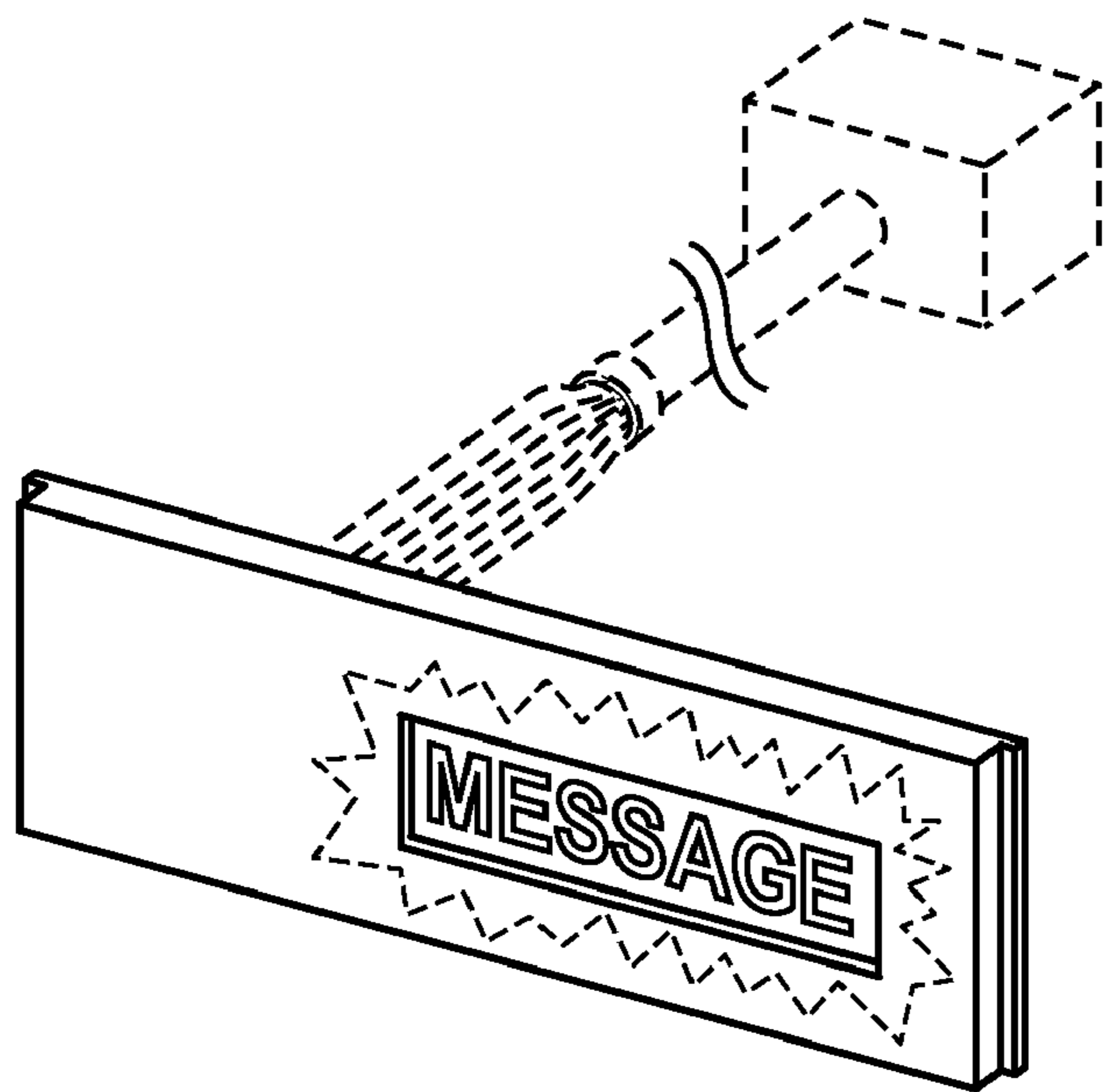


FIG. 3

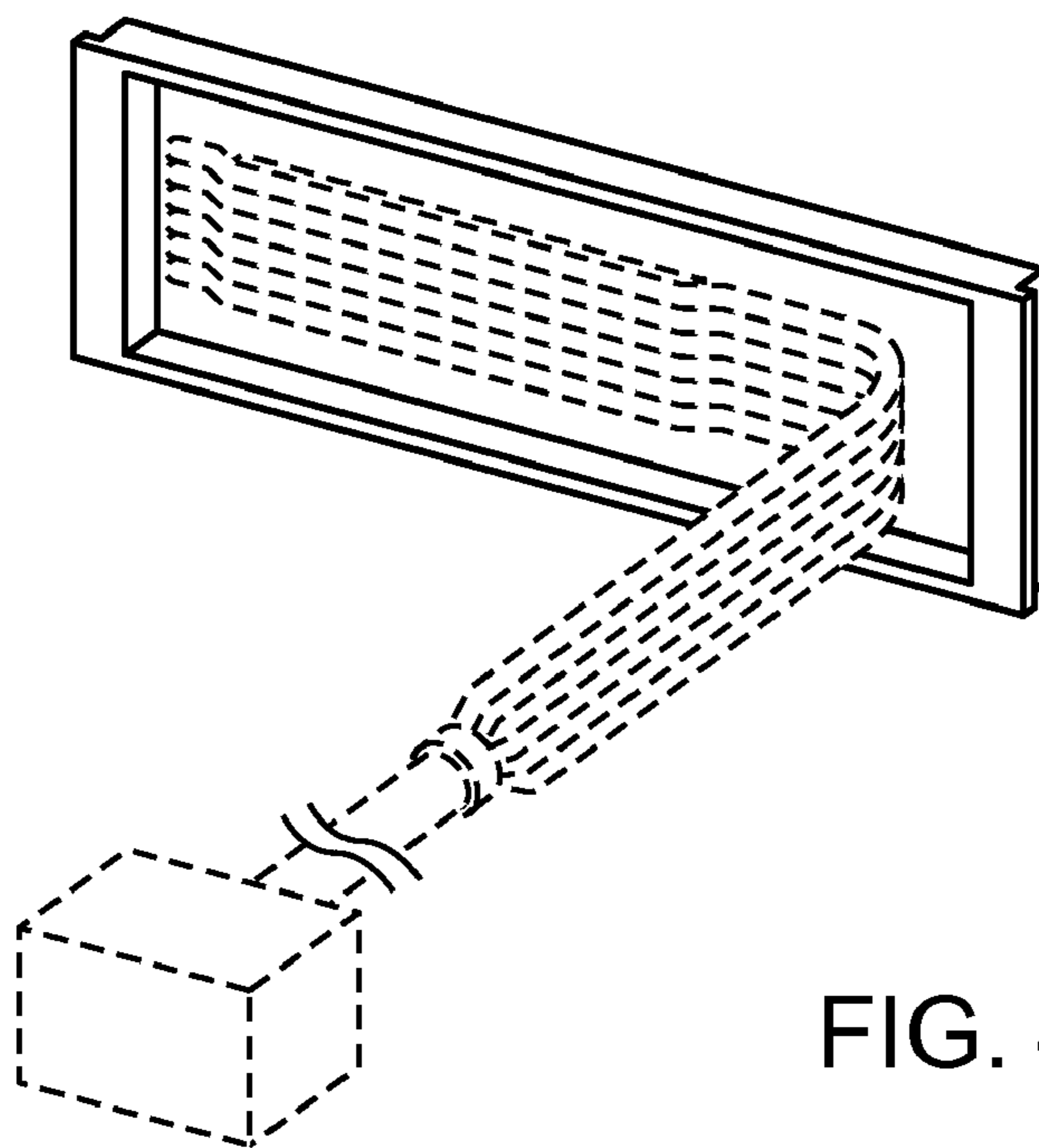


FIG. 4

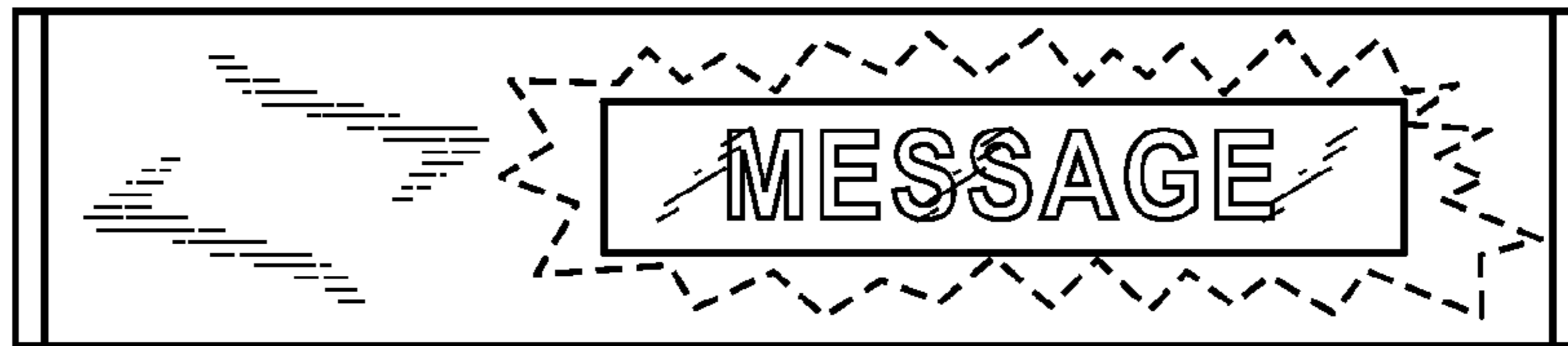


FIG. 5

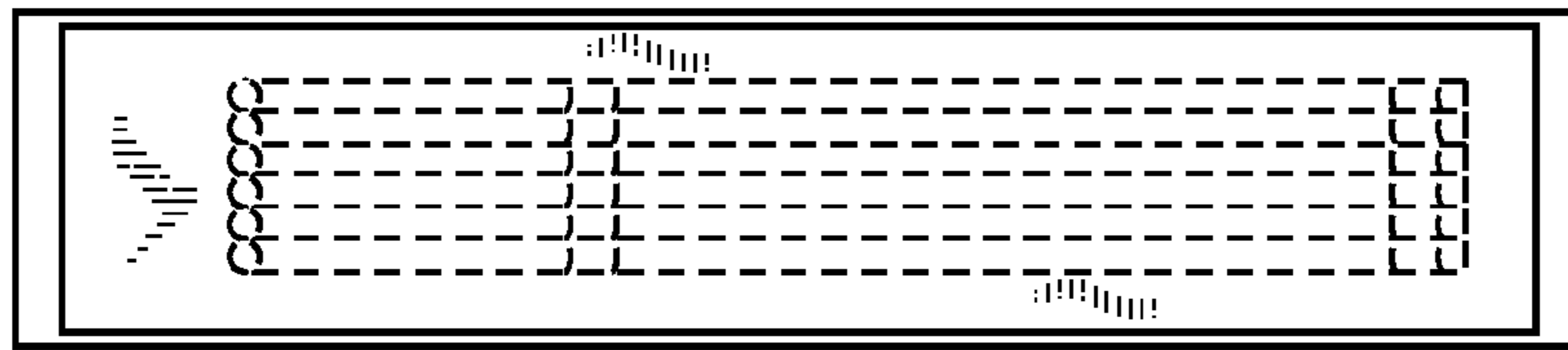


FIG. 6

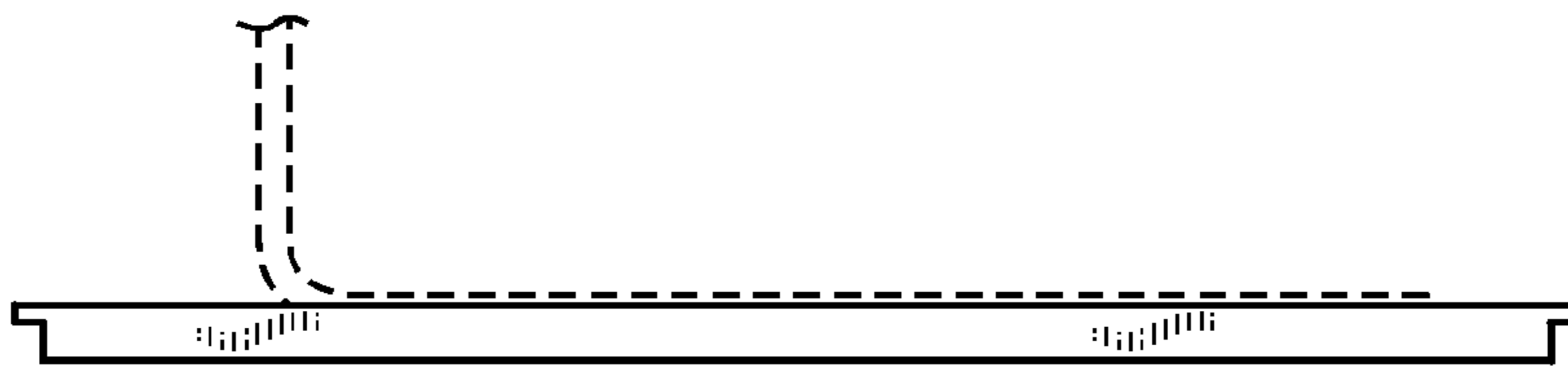


FIG. 7

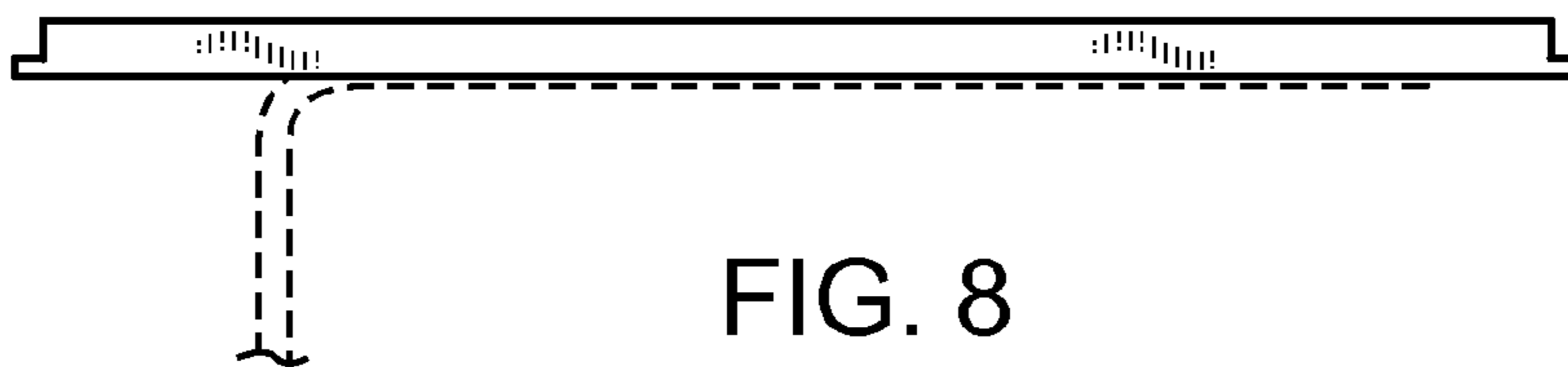


FIG. 8

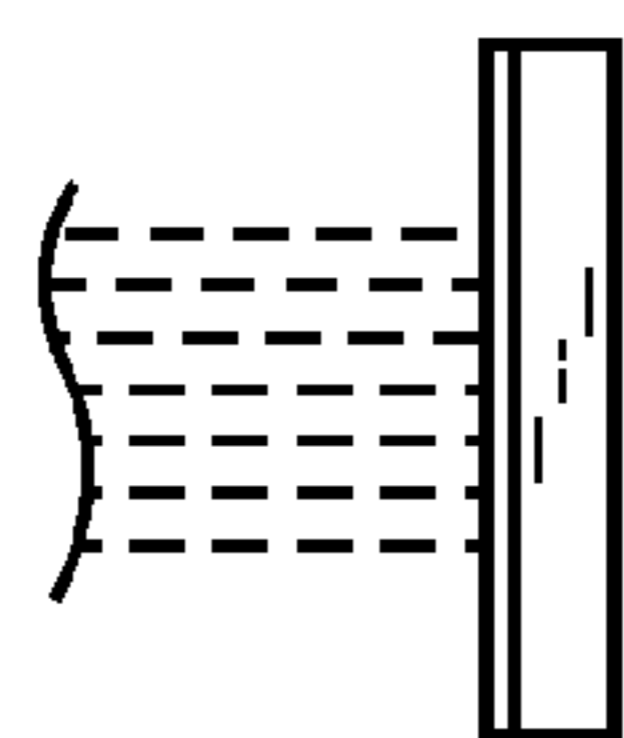


FIG. 9

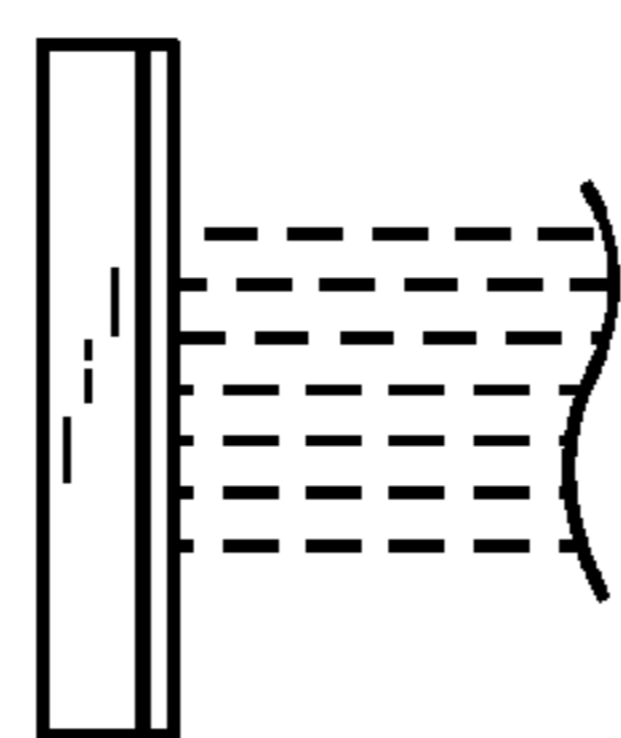


FIG. 10