

US00D590828S

(12) **United States Design Patent**
Sherrod et al.

(10) **Patent No.:** **US D590,828 S**

(45) **Date of Patent:** **** Apr. 21, 2009**

(54) **CARD READER**

(75) Inventors: **Scott D. Sherrod**, St. Louis, MO (US);
Gary W. Kaibel, Troy, MO (US); **Mark B. Emge**, Lawrence, KS (US)

(73) Assignee: **InterCard, Inc.**, St. Louis, MO (US)

(**) Term: **14 Years**

(21) Appl. No.: **29/310,773**

(22) Filed: **Sep. 9, 2008**

(51) **LOC (9) Cl.** **14-02**

(52) **U.S. Cl.** **D14/385; D20/8; D18/4.6**

(58) **Field of Classification Search** D14/356-358,
D14/363, 367, 369, 370, 383, 385, 386, 432-439,
D14/474, 483, 155, 188, 217, 299, 900-902;
D13/133, 146, 147, 154, 158, 173, 177, 182-184,
D13/199; 361/684, 685, 727, 737; 439/630,
439/660, 945, 946; 713/182-186; D20/8;
D18/4.4, 4.6

See application file for complete search history.

(56) **References Cited**

U.S. PATENT DOCUMENTS

D287,592 S *	1/1987	Perissinotto	D14/387
D287,593 S *	1/1987	Perissinotto	D14/387
D289,099 S *	3/1987	Golland	D14/385
D293,792 S *	1/1988	Watson	D14/387
D309,908 S *	8/1990	Quinn	D18/4.1
D312,247 S *	11/1990	Simoneaux et al.	D14/385
D314,714 S *	2/1991	Wixey et al.	D14/371
D342,239 S *	12/1993	Hermann	D18/4.6

D342,240 S *	12/1993	Saillant	D18/4.6
D369,352 S *	4/1996	Iwakami	D14/433
D428,444 S *	7/2000	McGarrah	D20/8
D437,890 S *	2/2001	McGarrah	D20/8
D467,584 S *	12/2002	Sabella et al.	D14/385
D477,030 S *	7/2003	Kolls et al.	D20/8
D477,321 S *	7/2003	Baughman	D14/385
D499,402 S *	12/2004	Boyer, Jr.	D14/385
D558,765 S *	1/2008	Fitler et al.	D14/385

* cited by examiner

Primary Examiner—Cathron C Brooks

Assistant Examiner—Deanna Fluegeman

(74) *Attorney, Agent, or Firm*—Kevin L. Klug; Draftsman:
David W. McGuire

(57) **CLAIM**

The ornamental design for a card reader, as shown and described.

DESCRIPTION

FIG. 1 is a right front perspective view of the preferred embodiment of a card reader.

FIG. 2 is a left rear perspective view thereof.

FIG. 3 is a front plan view thereof.

FIG. 4 is a rear plan view thereof.

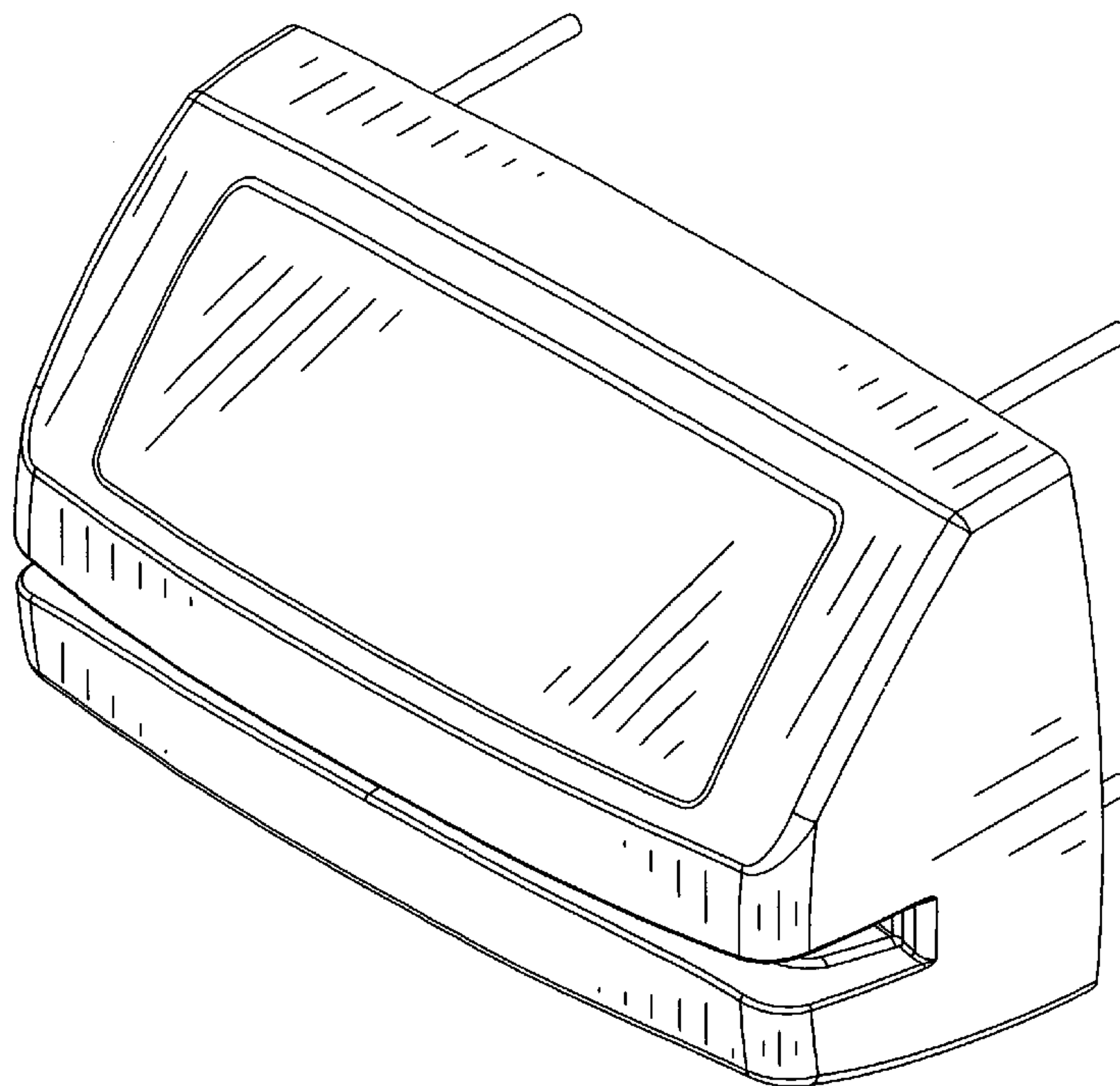
FIG. 5 is a left plan view thereof.

FIG. 6 is a right plan view thereof.

FIG. 7 is a top plan view thereof; and,

FIG. 8 is a bottom plan view thereof.

1 Claim, 8 Drawing Sheets



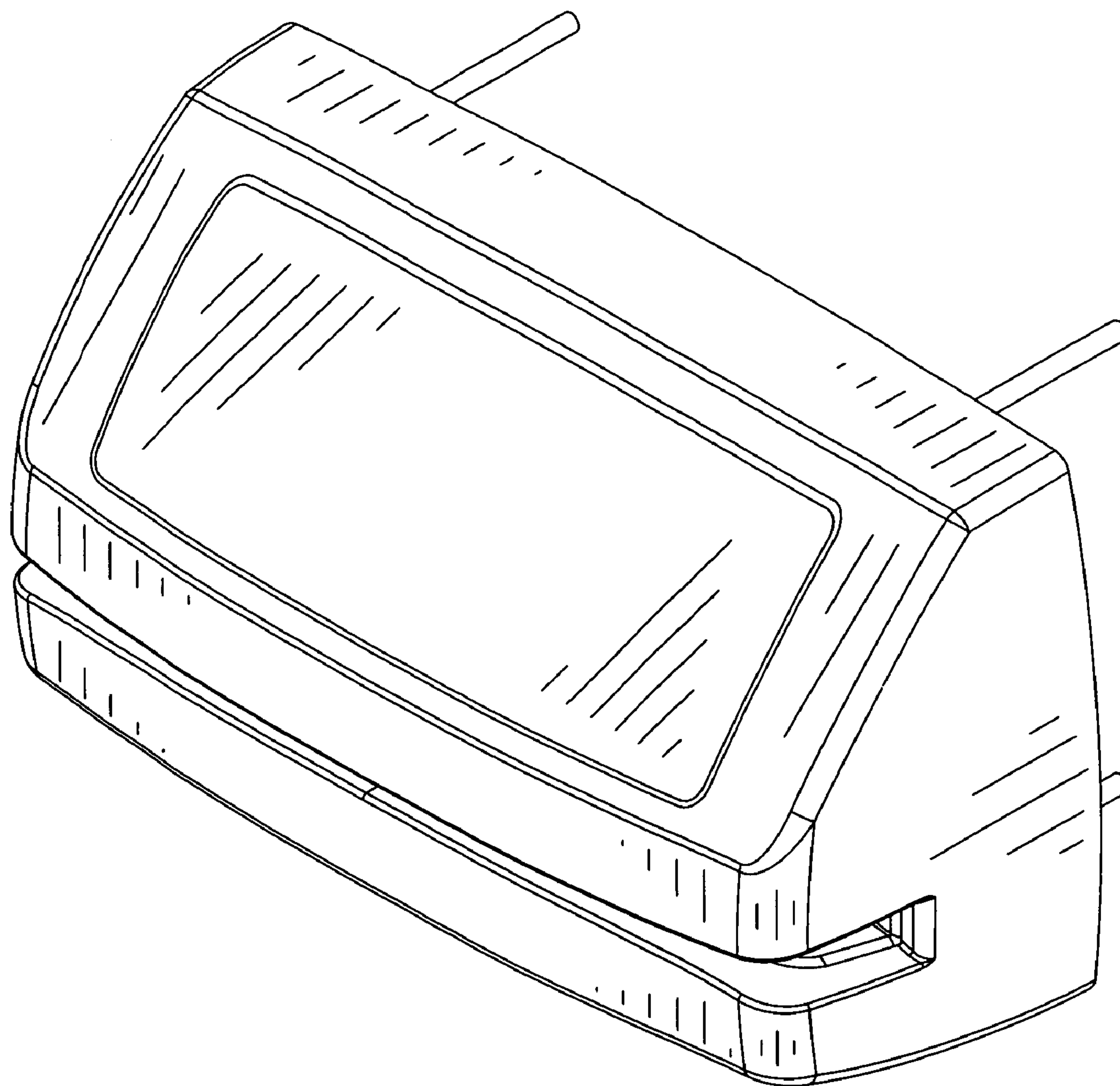


Fig. 1

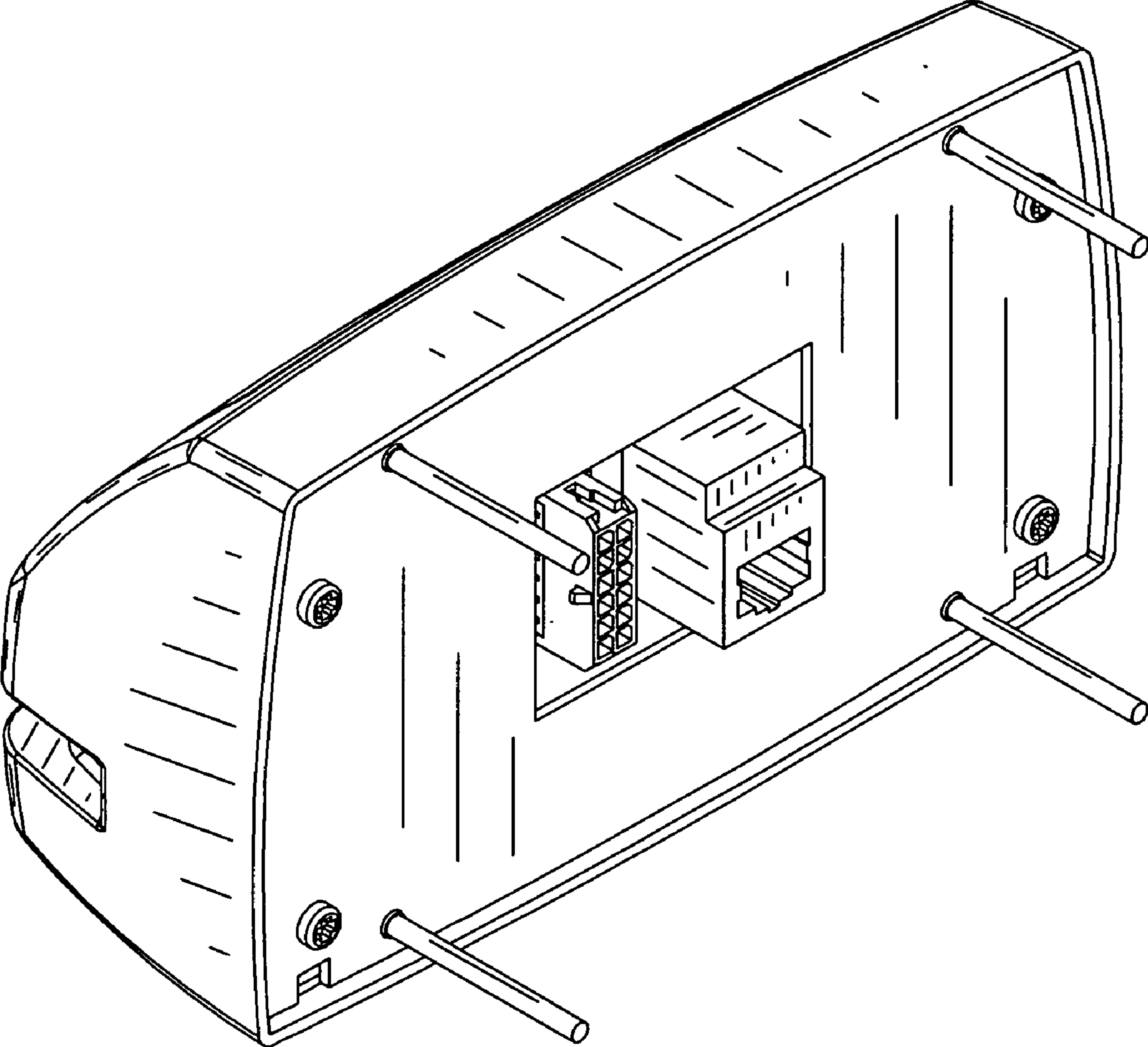


Fig. 2

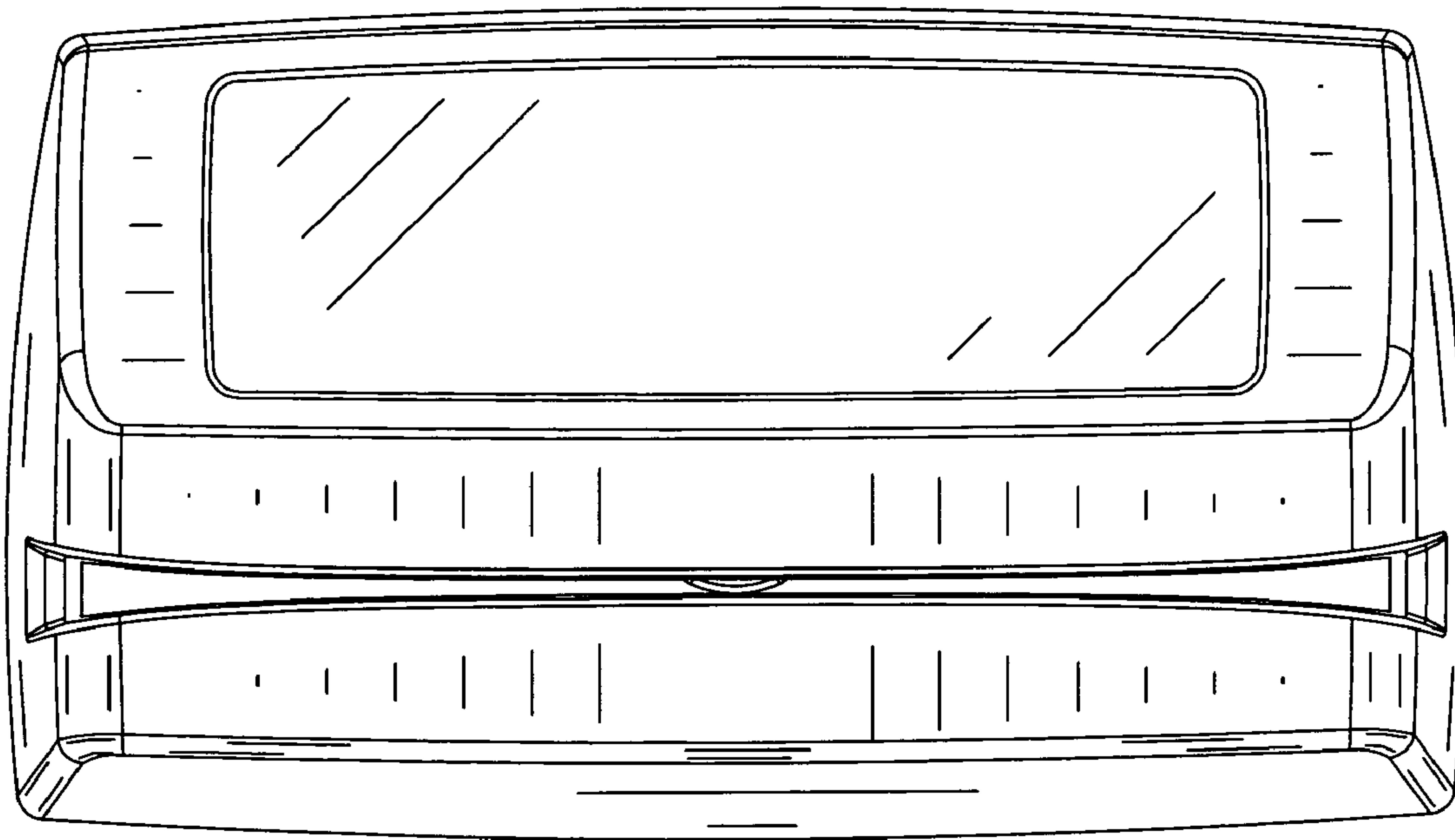


Fig. 3

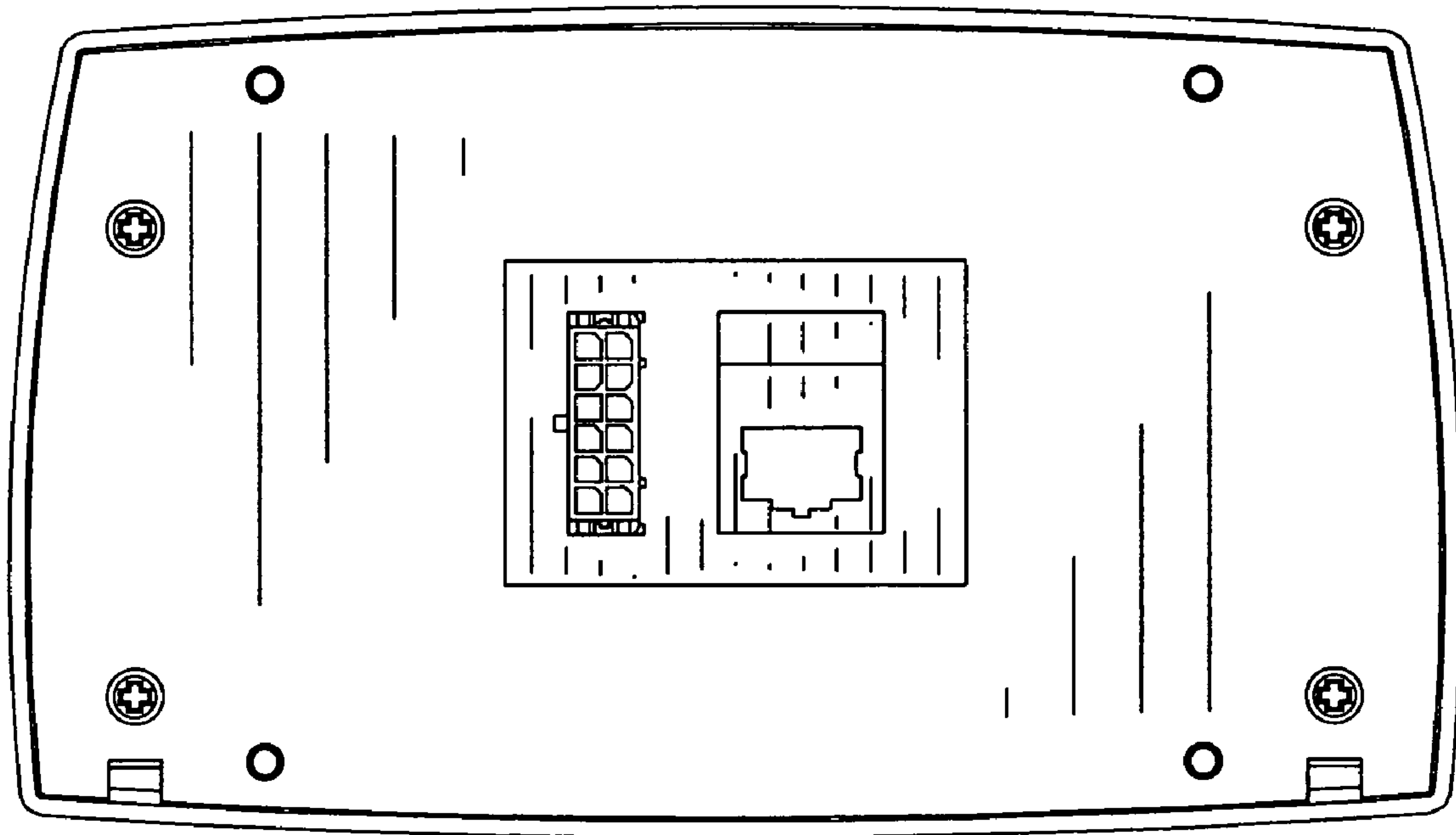


Fig. 4

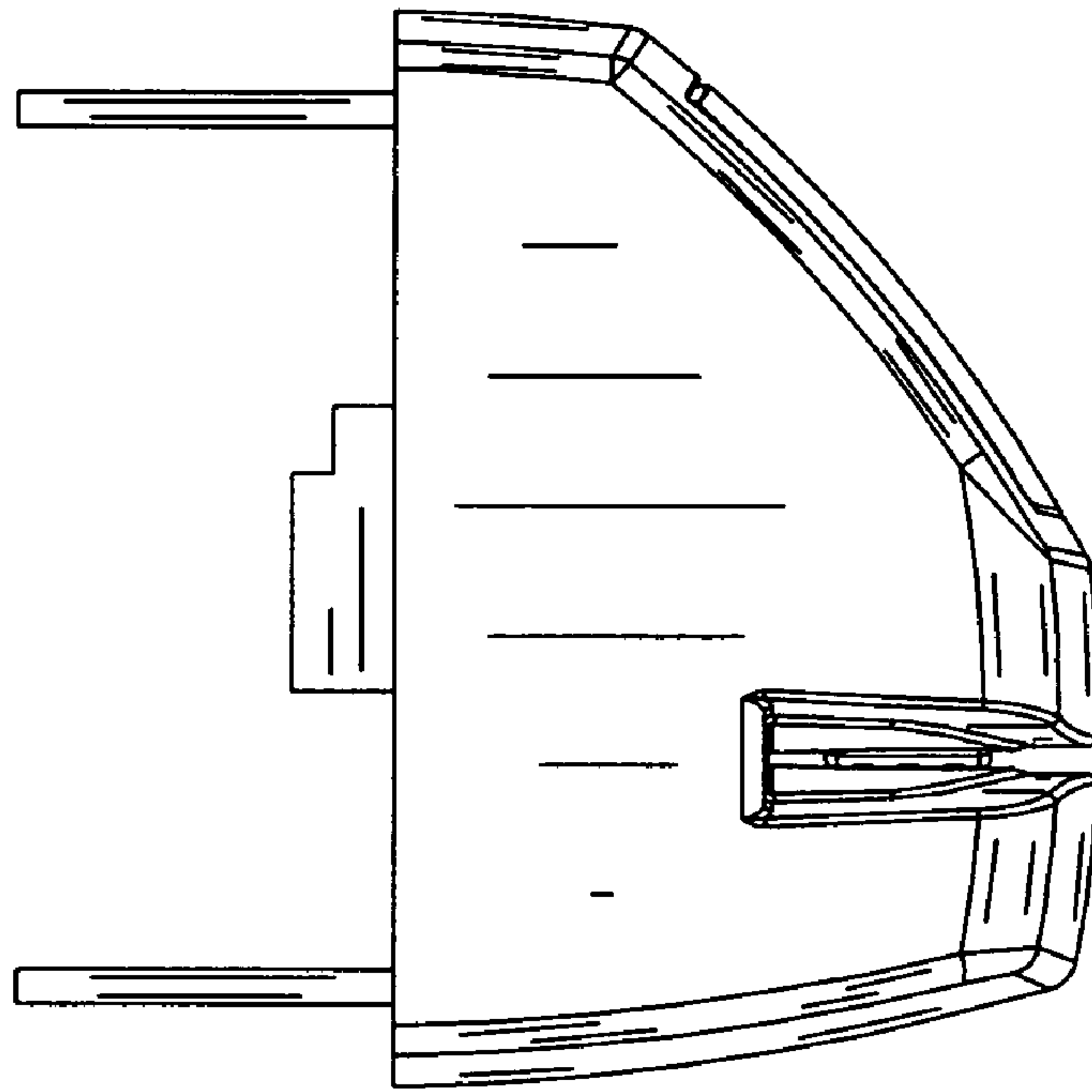


Fig. 5

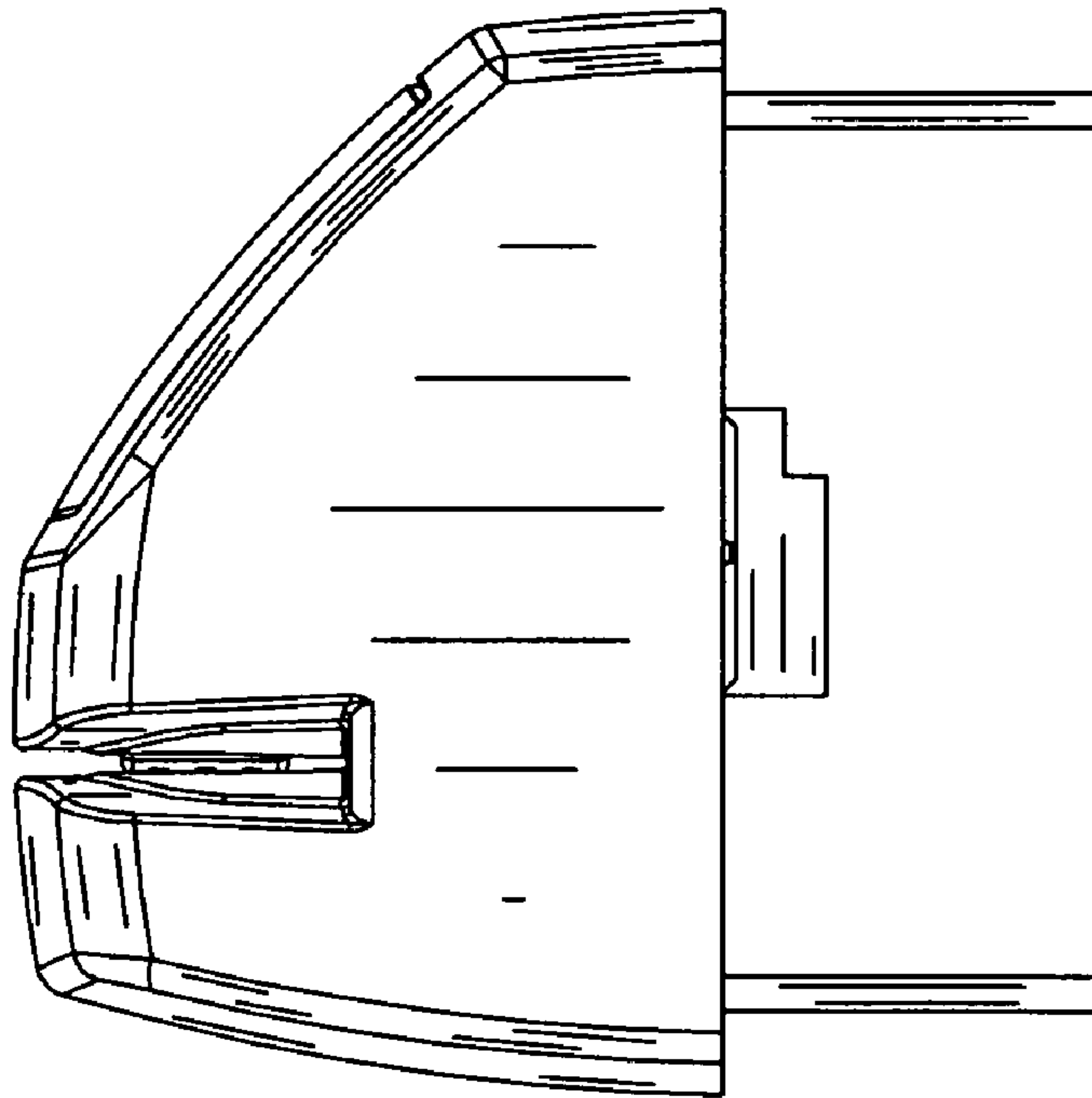


Fig. 6

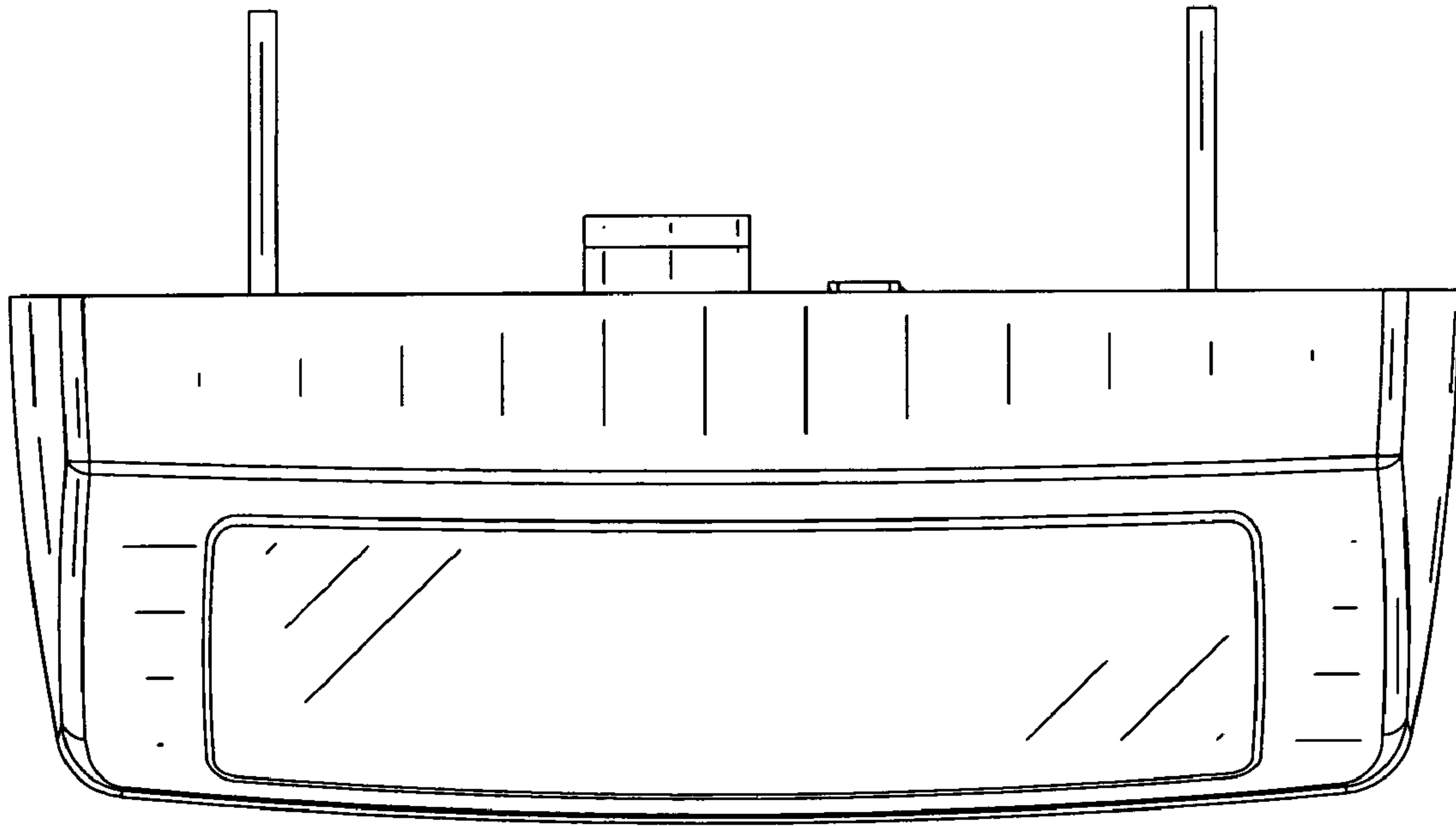


Fig. 7

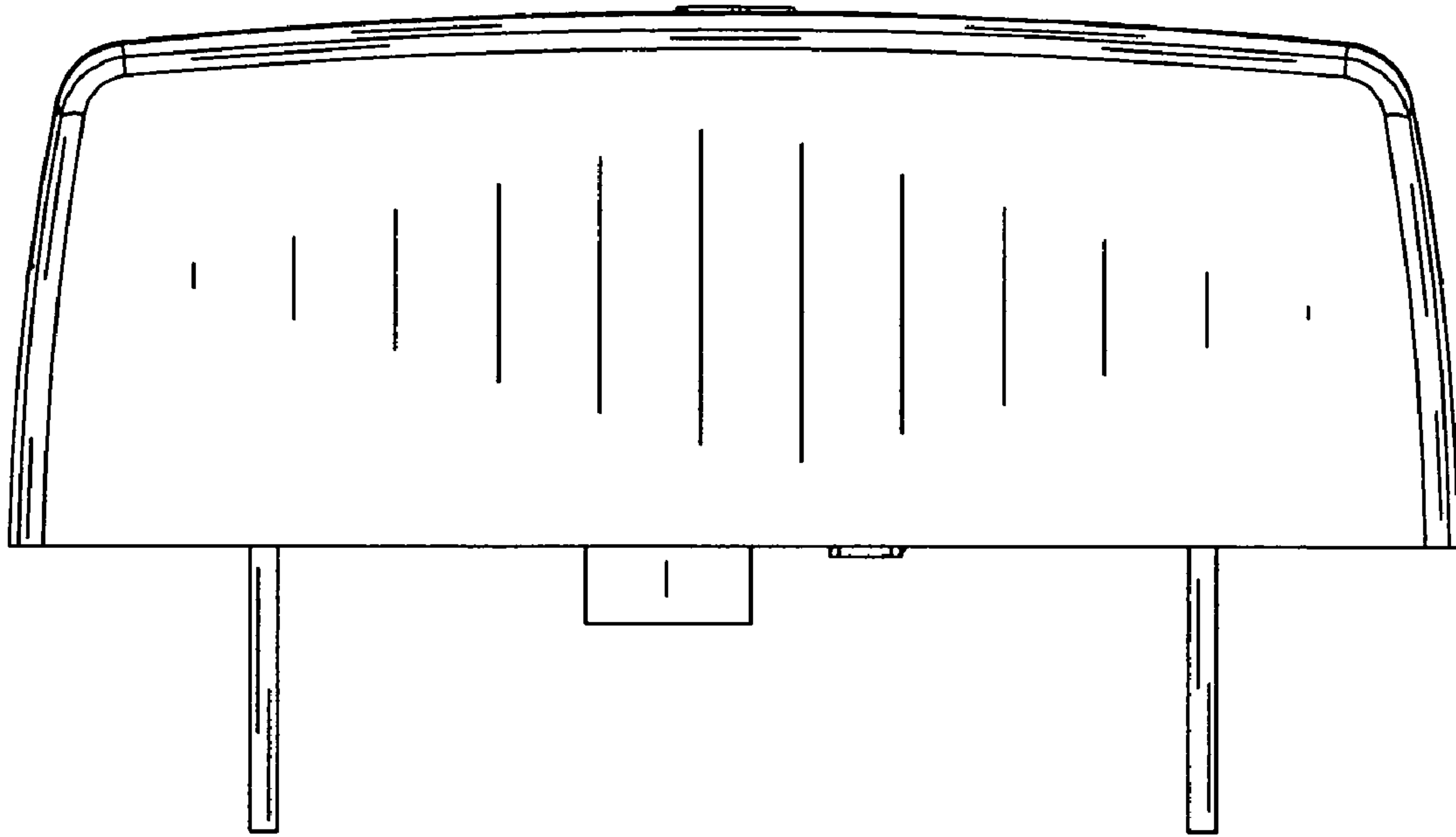


Fig. 8