

US00D590827S

(12) **United States Design Patent**  
**Song**

(10) **Patent No.:** **US D590,827 S**

(45) **Date of Patent:** **\*\* Apr. 21, 2009**

(54) **NETWORK COMPUTING TERMINAL**

D565,547 S \* 4/2008 Griffin et al. .... D14/214

(75) Inventor: **Young Gil Song**, Seoul (KR)

\* cited by examiner

(73) Assignee: **NComputing Inc.**, Redwood City, CA (US)

*Primary Examiner*—Robin V Webster

*Assistant Examiner*—Karen E Kearney

(74) *Attorney, Agent, or Firm*—Schwegman, Lundberg & Woessner, P.A.

(\*\*) Term: **14 Years**

(21) Appl. No.: **29/285,511**

(57) **CLAIM**

(22) Filed: **Mar. 30, 2007**

I claim the ornamental design for a network computing terminal, as shown and described.

(30) **Foreign Application Priority Data**

**DESCRIPTION**

Feb. 16, 2007 (KR) ..... 30-2007-0007359

(51) **LOC (9) Cl.** ..... **14-02**

(52) **U.S. Cl.** ..... **D14/356**

(58) **Field of Classification Search** ..... D14/137,  
D14/363, 230–231, 233, 235, 237, 240–242,  
D14/432, 299, 155, 356–358, 496, 348; D13/184;  
D3/201, 273; D10/65, 75, 78

See application file for complete search history.

FIG. 1 is a perspective view of a network computing terminal showing my new design;

FIG. 2 is a front elevation view of the network computing terminal;

FIG. 3 is a rear elevation view of the network computing terminal. The broken lines showing the ports in FIG. 3 are for the purpose of illustrating unclaimed portions and form no part of the claimed design;

FIG. 4 is a left side elevation view of the network computing terminal;

FIG. 5 is a right side elevation view of the network computing terminal. The broken lines showing the ports in FIG. 5 are for the purpose of illustrating unclaimed portions and form no part of the claimed design;

FIG. 6 is a top plan view of the network computing terminal; and,

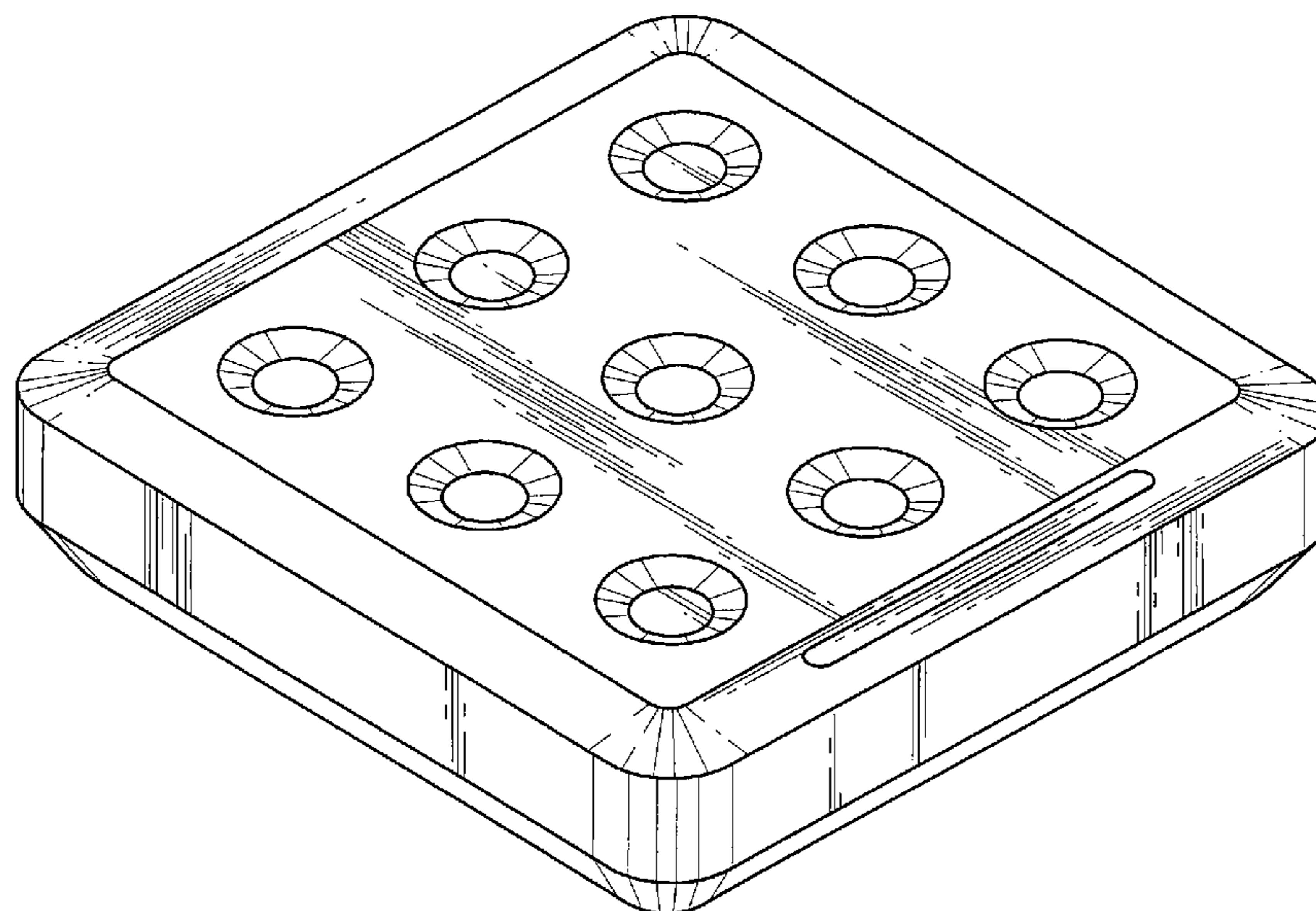
FIG. 7 is a bottom plan view of the network computing terminal. The broken lines showing various portions of FIG. 7 are for the purpose of illustrating unclaimed portions and form no part of the claimed design.

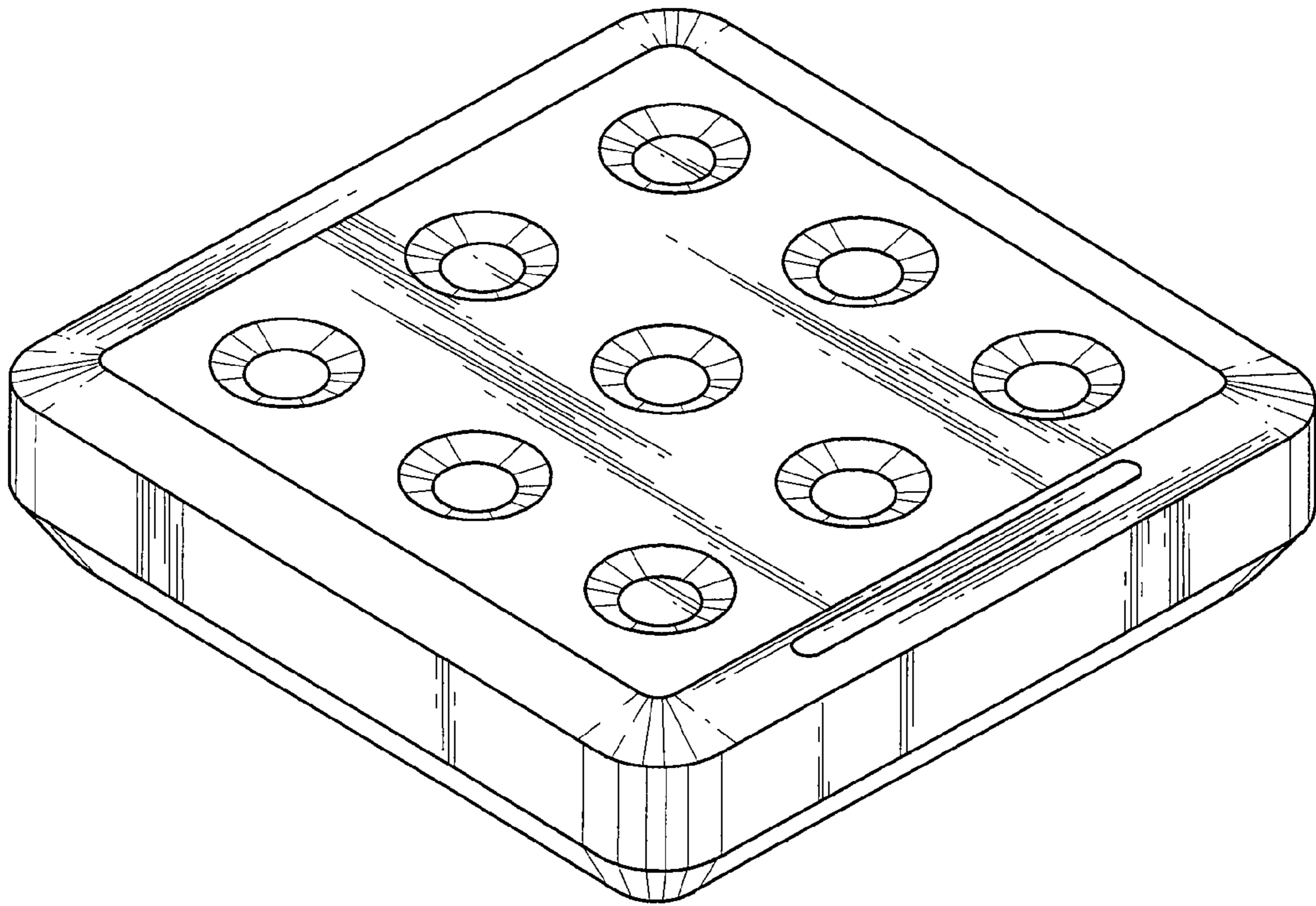
(56) **References Cited**

**U.S. PATENT DOCUMENTS**

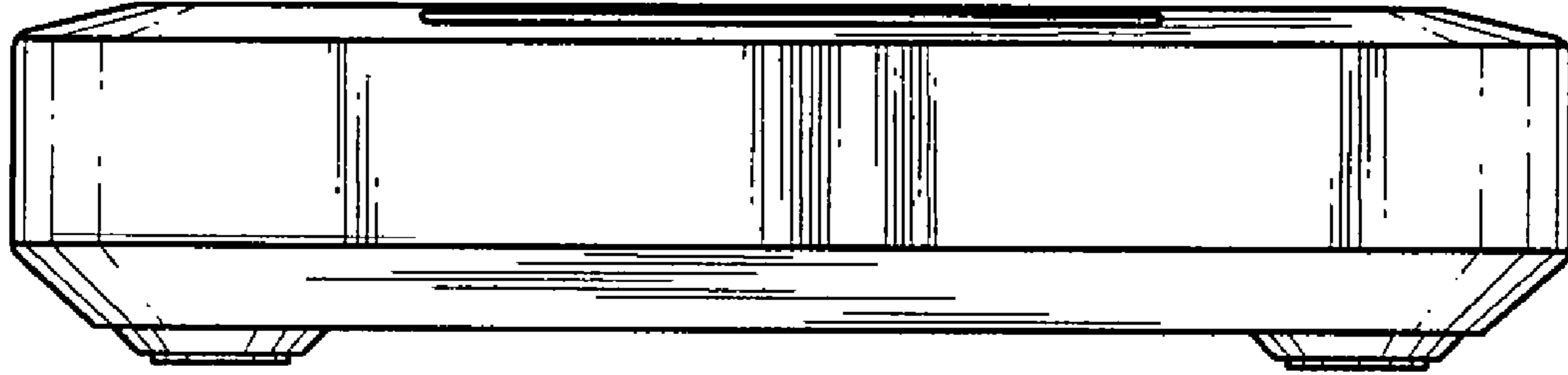
D99,850 S *	6/1936	Beyer	.....	D13/125
D264,839 S *	6/1982	Ross et al.	.....	D13/184
D333,630 S *	3/1993	Marks	.....	D10/81
D364,618 S *	11/1995	Somoza	.....	D14/142
D381,647 S *	7/1997	Terng	.....	D14/358
D468,303 S *	1/2003	Ylinen et al.	.....	D14/240
D479,238 S *	9/2003	Brown	.....	D14/388
D479,832 S *	9/2003	Homewood et al.	.....	D14/168
D490,403 S *	5/2004	Wu et al.	.....	D14/240
D517,558 S *	3/2006	Peh	.....	D14/436
D525,989 S *	8/2006	Choe	.....	D14/496
D541,296 S *	4/2007	Kim	.....	D14/496

**1 Claim, 5 Drawing Sheets**

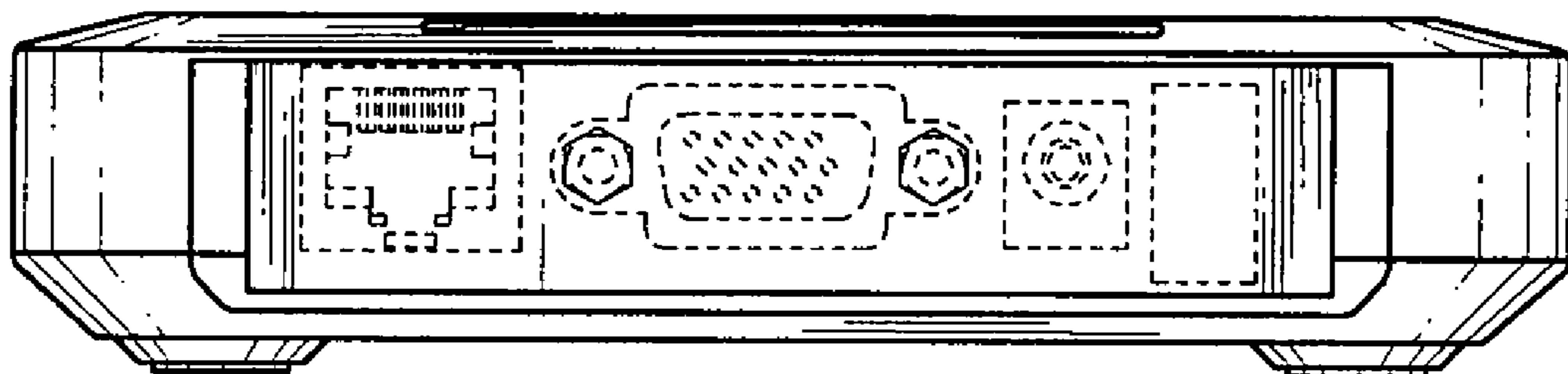




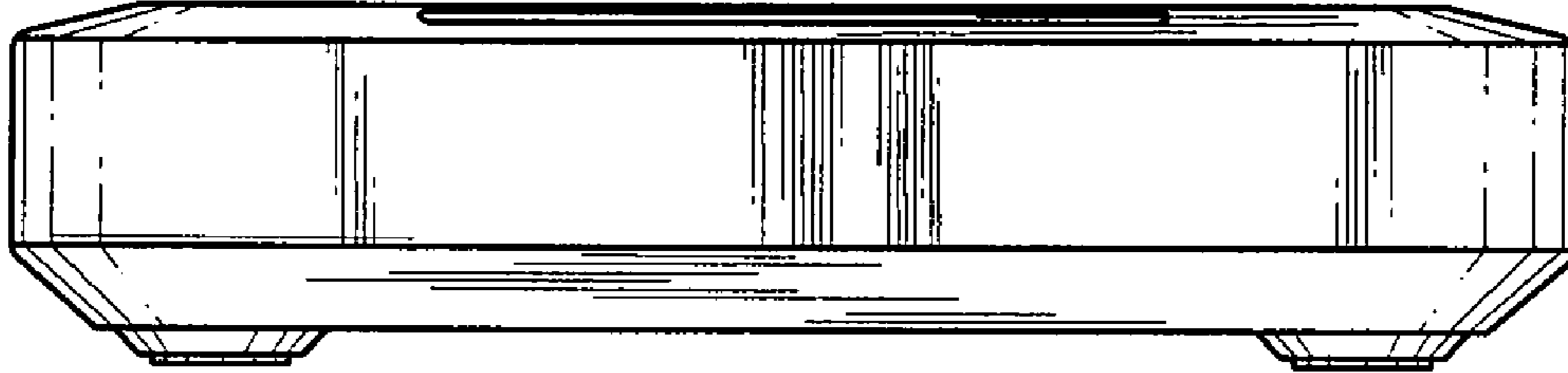
*Fig. 1*



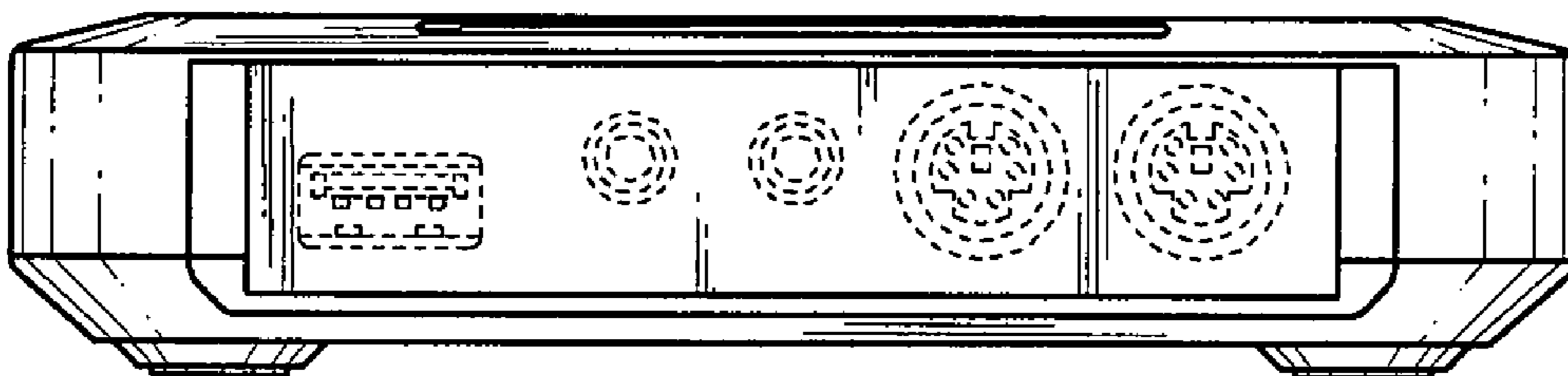
*Fig. 2*



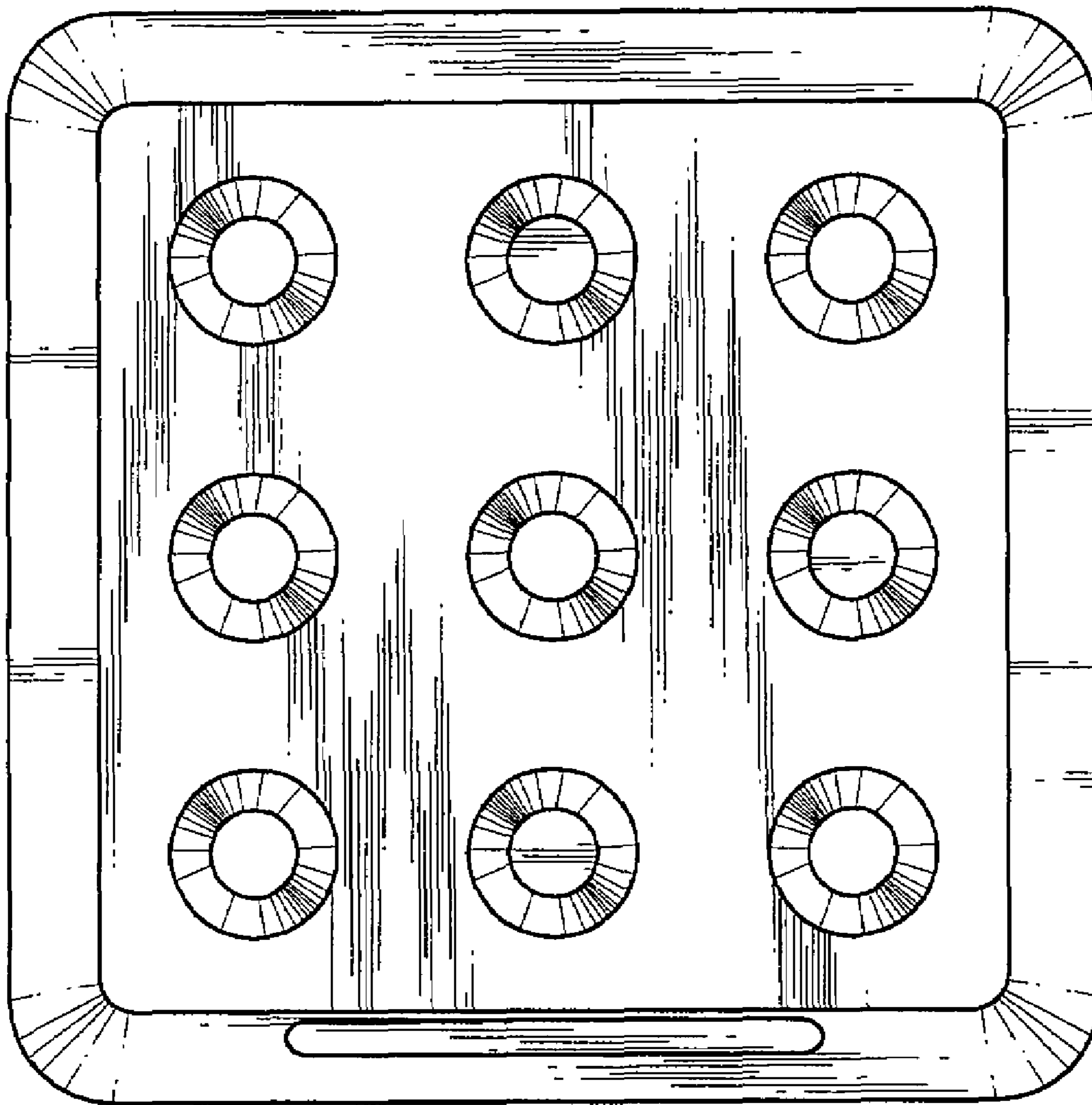
*Fig. 3*



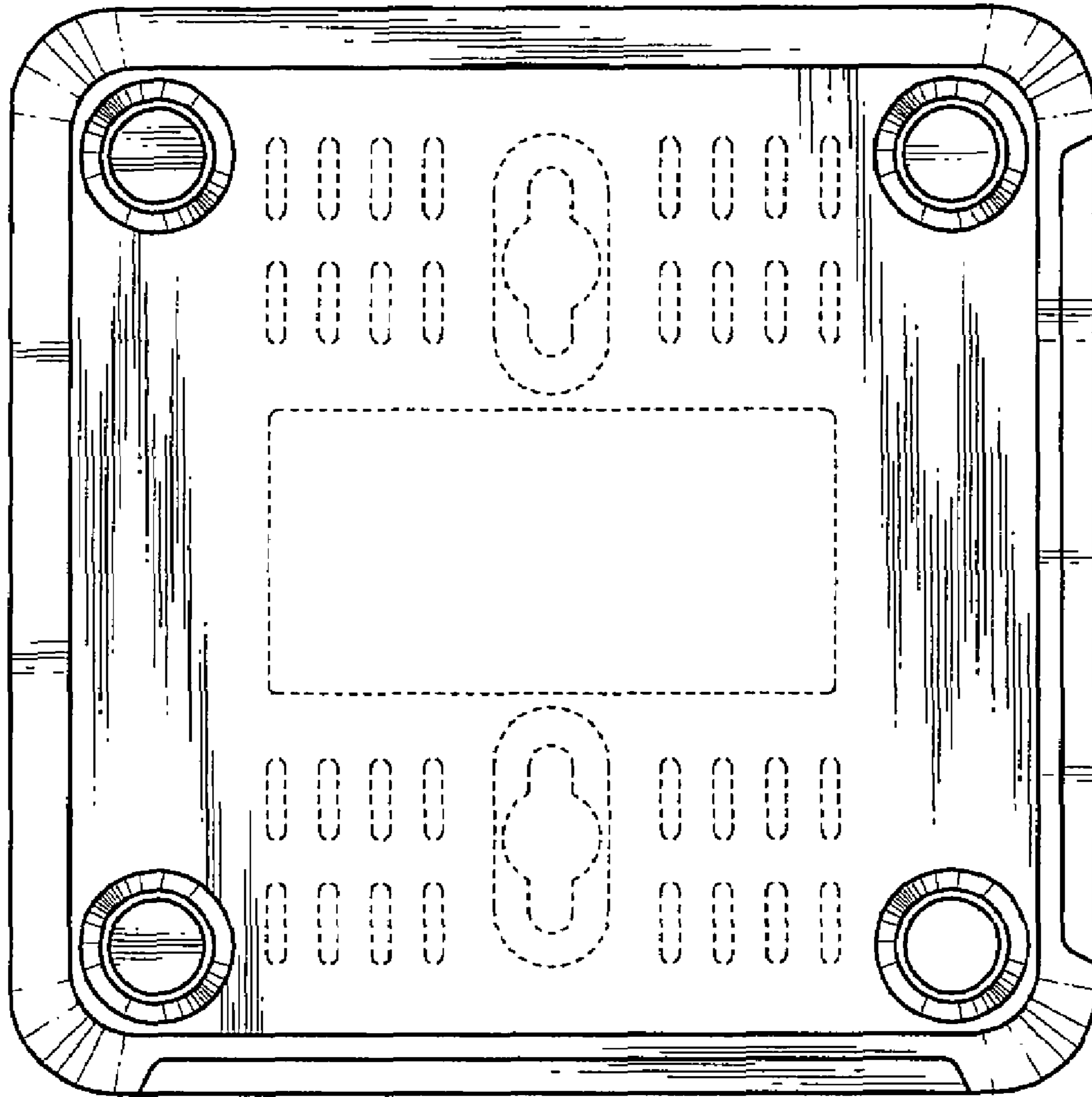
*Fig. 4*



*Fig. 5*



*Fig. 6*



*Fig. 7*