



US00D590826S

(12) **United States Design Patent**
Andre et al.

(10) **Patent No.:** **US D590,826 S**
(45) **Date of Patent:** **** Apr. 21, 2009**

(54) **ELECTRONIC DEVICE**

(75) Inventors: **Bartley K. Andre**, Menlo Park, CA (US); **Daniel J. Coster**, San Francisco, CA (US); **Daniele De Iulius**, San Francisco, CA (US); **Evans Hankey**, San Francisco, CA (US); **Richard P. Howarth**, San Francisco, CA (US); **Jonathan P. Ive**, San Francisco, CA (US); **Steve Jobs**, Palo Alto, CA (US); **Duncan Robert Kerr**, San Francisco, CA (US); **Shin Nishibori**, Portola Valley, CA (US); **Matthew Dean Rohrbach**, San Francisco, CA (US); **Peter Russell-Clarke**, San Francisco, CA (US); **Douglas B. Satzger**, Menlo Park, CA (US); **Christopher J. Stringer**, Woodside, CA (US); **Eugene Antony Whang**, San Francisco, CA (US); **Rico Zorkendorfer**, San Francisco, CA (US)

(73) Assignee: **Apple Inc.**, Cupertino, CA (US)

(**) Term: **14 Years**

(21) Appl. No.: **29/330,161**

(22) Filed: **Dec. 30, 2008**

(51) **LOC (9) Cl.** **14-02**

(52) **U.S. Cl.** **D14/341; D14/496**

(58) **Field of Classification Search** D14/496, D14/401, 435, 474, 483, 217, 137, 138, 160, D14/168, 203.1–203.8, 341–347, 138 R, D14/138 C, 138 G, 454, 439, 455, 456, 192, D14/239, 247, 315, 327, 331, 336, 338, 339, D14/374, 393, 394, 399, 400, 429, 432, 125, D14/126, 129, 130; D21/324, 329, 330, D21/331, 333; D18/7; D10/32; 455/556.1, 455/556.2, 11.1, 773, 344–347, 93, 95; 379/433.01, 379/433.07, 433.1, 433.11, 433.12, 433.13; 345/169, 156, 173–179, 905; 348/14.02, 348/790; 341/22; 361/680; 273/148 B; 368/281; 715/727–729, 864; 370/342–344; 369/1, 2, 6, 12; 463/43–47

See application file for complete search history.

(56) **References Cited**

U.S. PATENT DOCUMENTS

2,521,423 A 9/1950 Stuck

(Continued)

FOREIGN PATENT DOCUMENTS

CN 3513646D 3/2006

(Continued)

Primary Examiner—Cathron C Brooks

Assistant Examiner—Barbara Fox

(74) *Attorney, Agent, or Firm*—Sterne, Kessler, Goldstein & Fox P.L.L.C.

(57) **CLAIM**

The ornamental design for an electronic device, as shown and described.

DESCRIPTION

FIG. 1 is a bottom front perspective view of an electronic device showing our new design;

FIG. 2 is a bottom rear perspective view thereof;

FIG. 3 is a top front perspective view thereof;

FIG. 4 is a top rear perspective view thereof;

FIG. 5 is a front view thereof;

FIG. 6 is a rear view thereof;

FIG. 7 is a bottom view thereof;

FIG. 8 is a top view thereof;

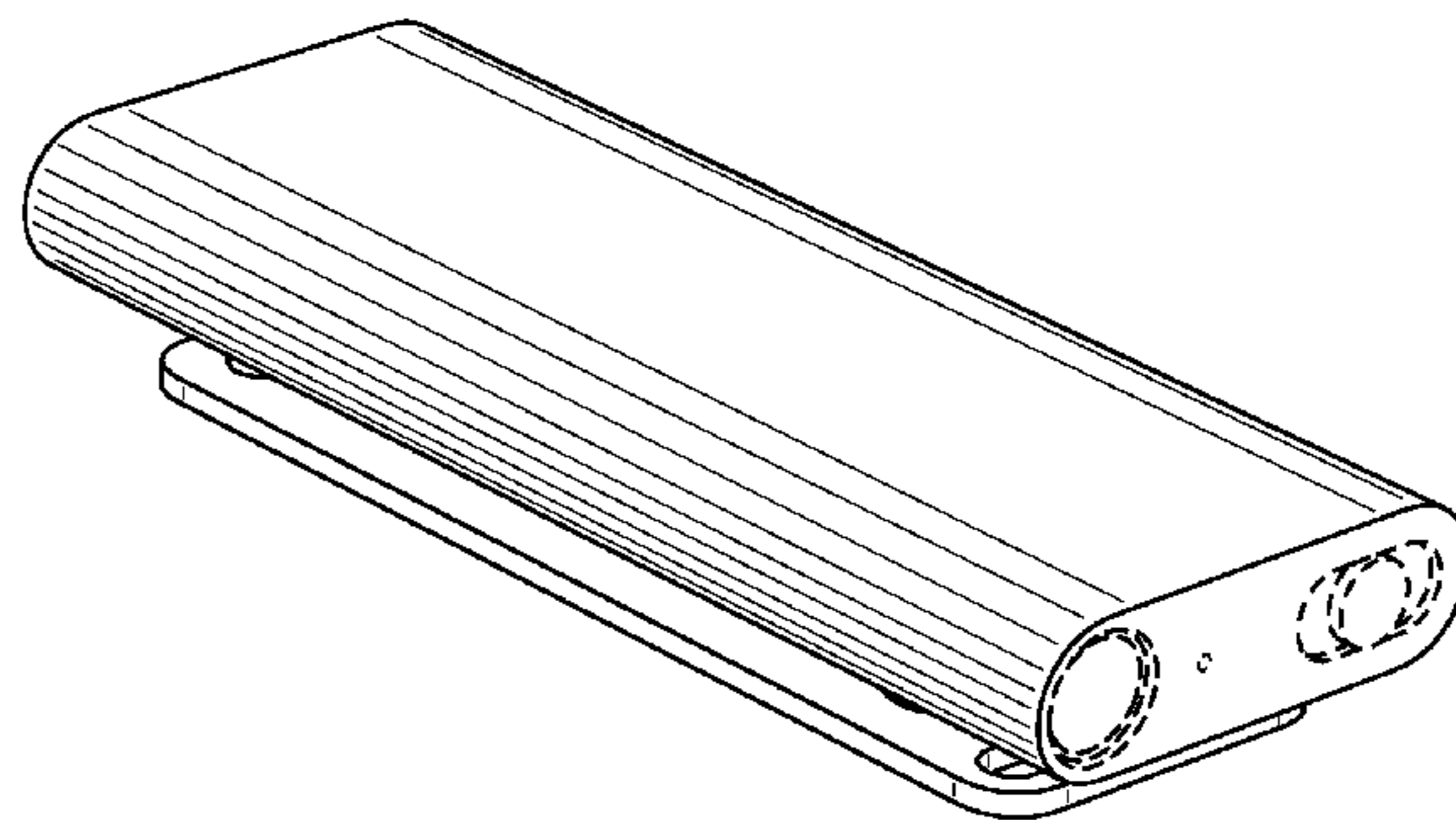
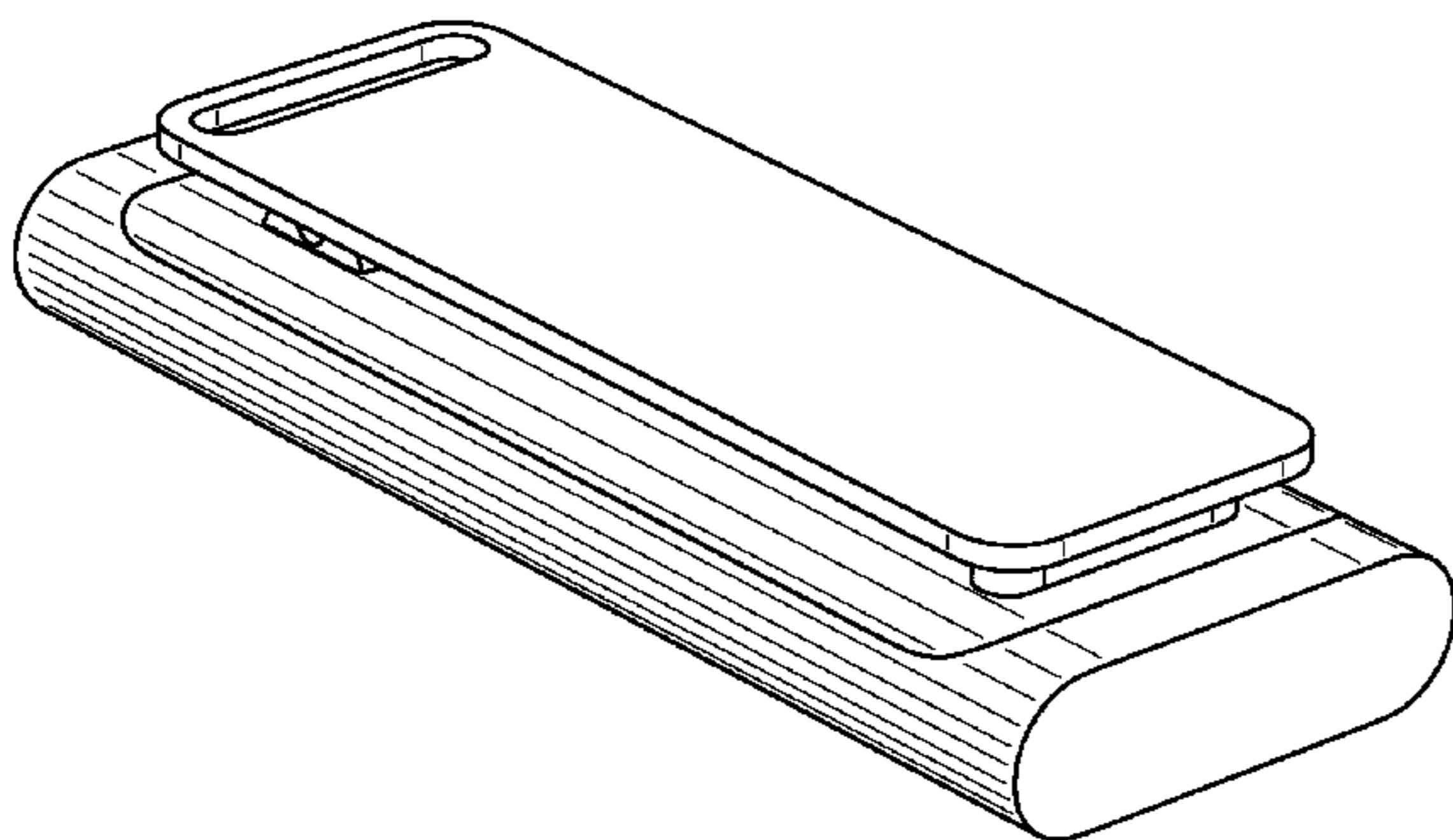
FIG. 9 is a right side view thereof; and,

FIG. 10 is a left side view thereof.

The shade lines in the Figures show contour and not surface ornamentation.

The dotted lines in the figures show environment and do not form part of the claimed design.

1 Claim, 4 Drawing Sheets



US D590,826 S

Page 2

U.S. PATENT DOCUMENTS

3,851,123 A 11/1974 Lipinski et al.
4,359,220 A 11/1982 Morrison et al.
D303,137 S 8/1989 Brown
D306,519 S * 3/1990 Nakata D3/206
D344,511 S 2/1994 Ansai et al.
D345,304 S * 3/1994 Leader D9/418
D350,752 S 9/1994 Yuen
5,551,079 A 8/1996 Panther et al.
D379,809 S 6/1997 Lindeman
5,664,292 A * 9/1997 Chen 24/3.11
D393,260 S 4/1998 Yahaya
D396,860 S 8/1998 Yasutomi
D421,261 S 2/2000 Heuel
D425,885 S 5/2000 Amron
6,122,526 A 9/2000 Parulski et al.
D432,523 S 10/2000 Grinkus et al.
D438,525 S 3/2001 Katayama
D446,499 S * 8/2001 Andre et al. D13/110
D475,850 S * 6/2003 Andre et al. D3/218
D480,372 S 10/2003 Chen et al.
D503,409 S 3/2005 Wong et al.
D529,512 S 10/2006 Reawsanguanwong
D534,184 S 12/2006 Leija et al.
D534,545 S 1/2007 Leija et al.

D534,921 S 1/2007 Andre et al.
D539,814 S 4/2007 Andre et al.
D550,714 S 9/2007 Ferraboshi
D551,680 S * 9/2007 Andre et al. D14/496
D555,171 S 11/2007 Dai
D556,155 S 11/2007 Andre et al.
D559,860 S 1/2008 Andre et al.
D560,687 S * 1/2008 Kim et al. D14/496
D565,596 S 4/2008 Kim
D566,101 S 4/2008 Griffin et al.
D570,876 S * 6/2008 Lee D14/496
D574,014 S 7/2008 Dai
D575,304 S 8/2008 Andre et al.
D577,990 S * 10/2008 Andre et al. D8/395
D578,140 S 10/2008 Sheba et al.
D580,456 S * 11/2008 Oh et al. D14/496
D580,953 S 11/2008 Andre et al.
D582,417 S * 12/2008 Sheba et al. D14/434
D585,077 S * 1/2009 Sheba et al. D14/496
D586,740 S * 2/2009 Song D13/103

FOREIGN PATENT DOCUMENTS

CN 3543434D 7/2006

* cited by examiner

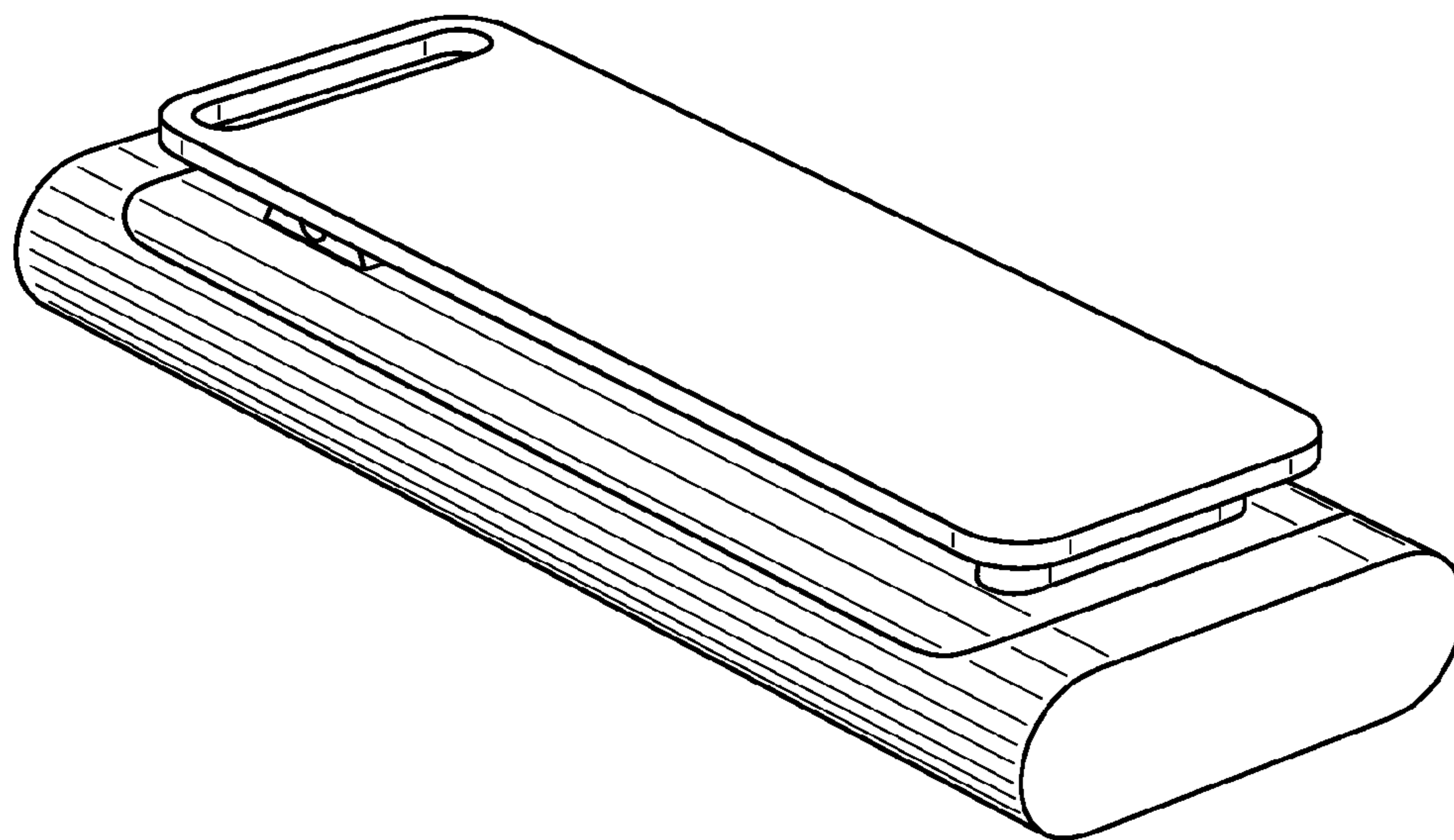


FIG. 1

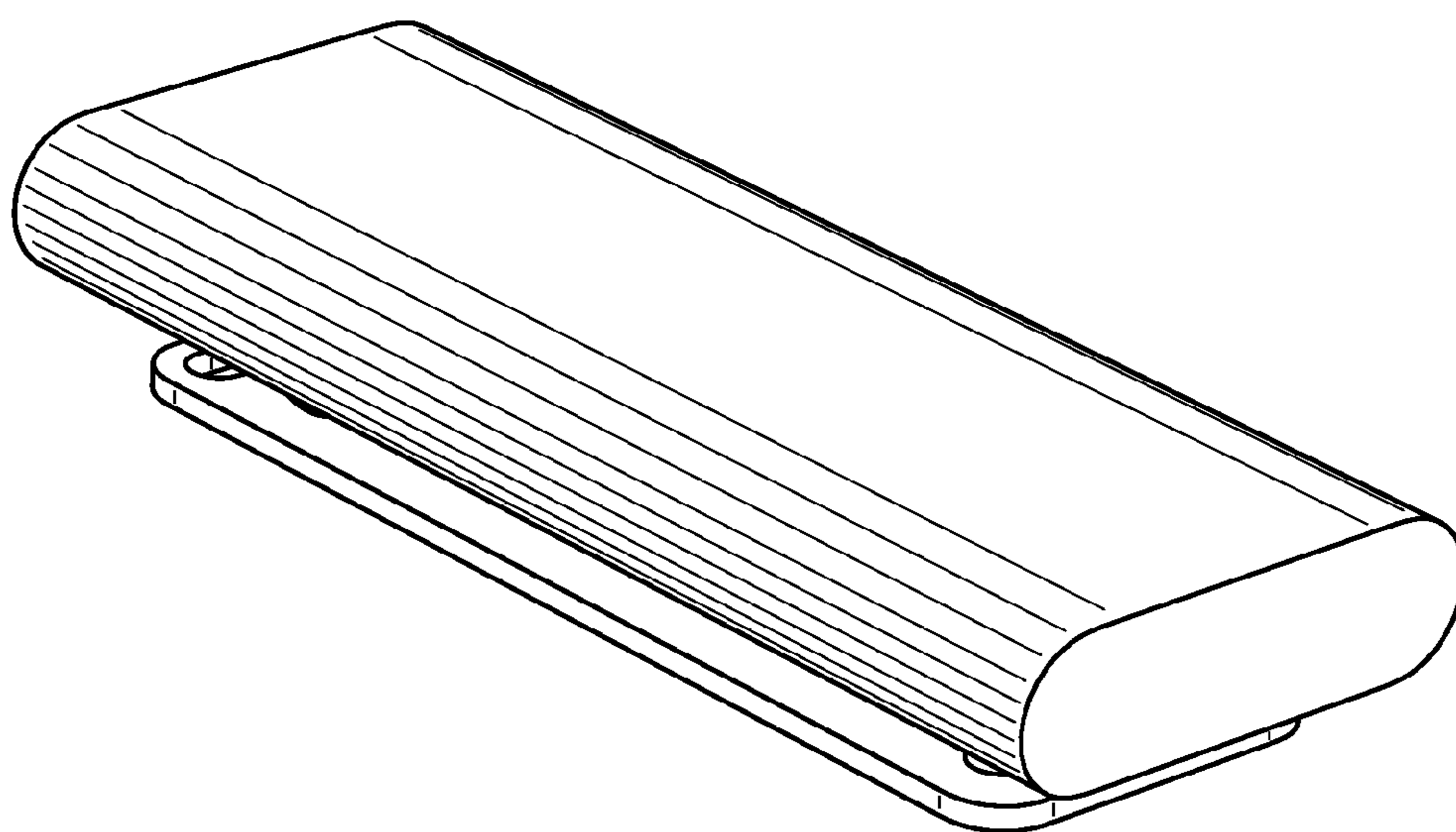


FIG. 2

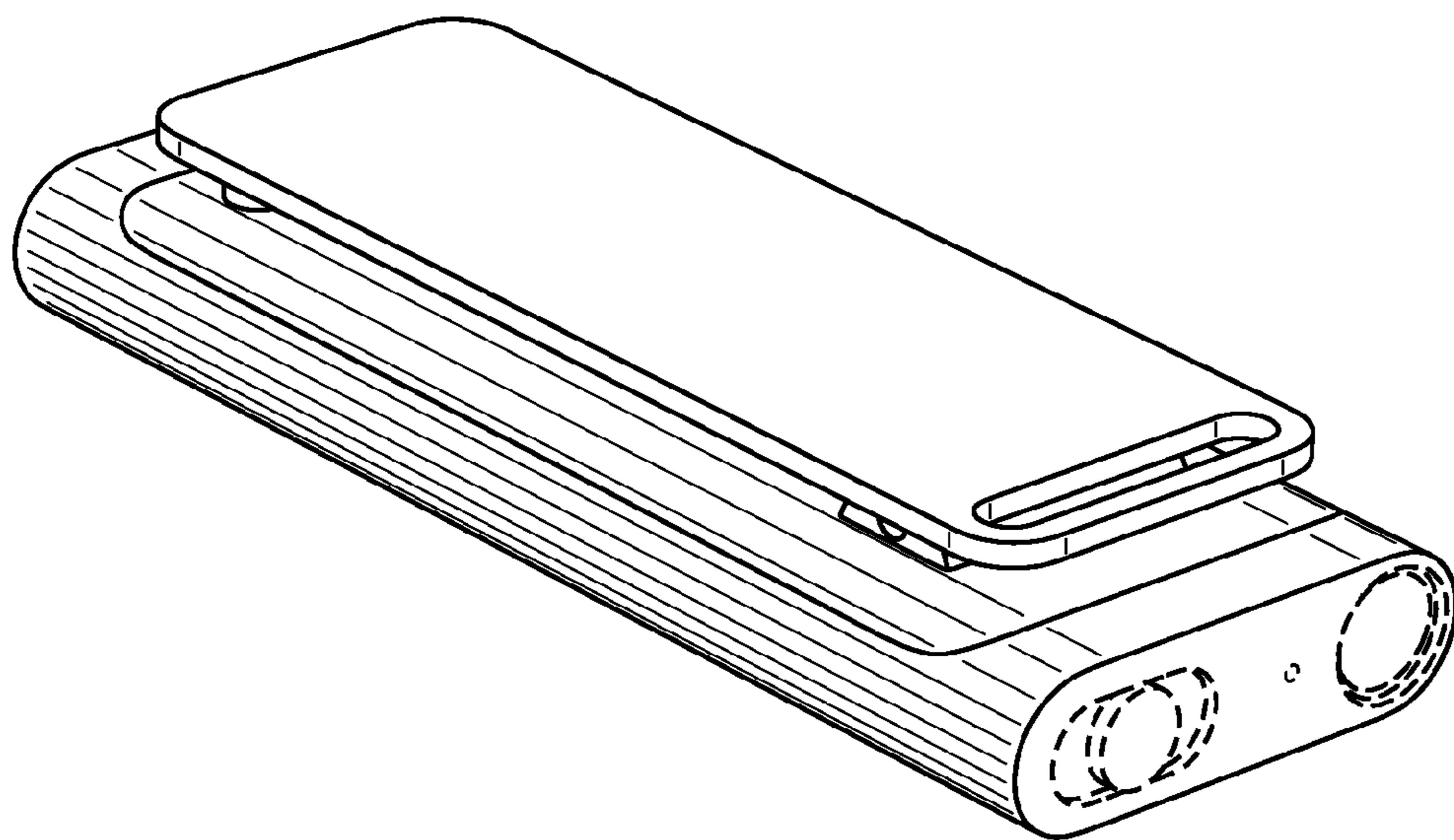


FIG. 3

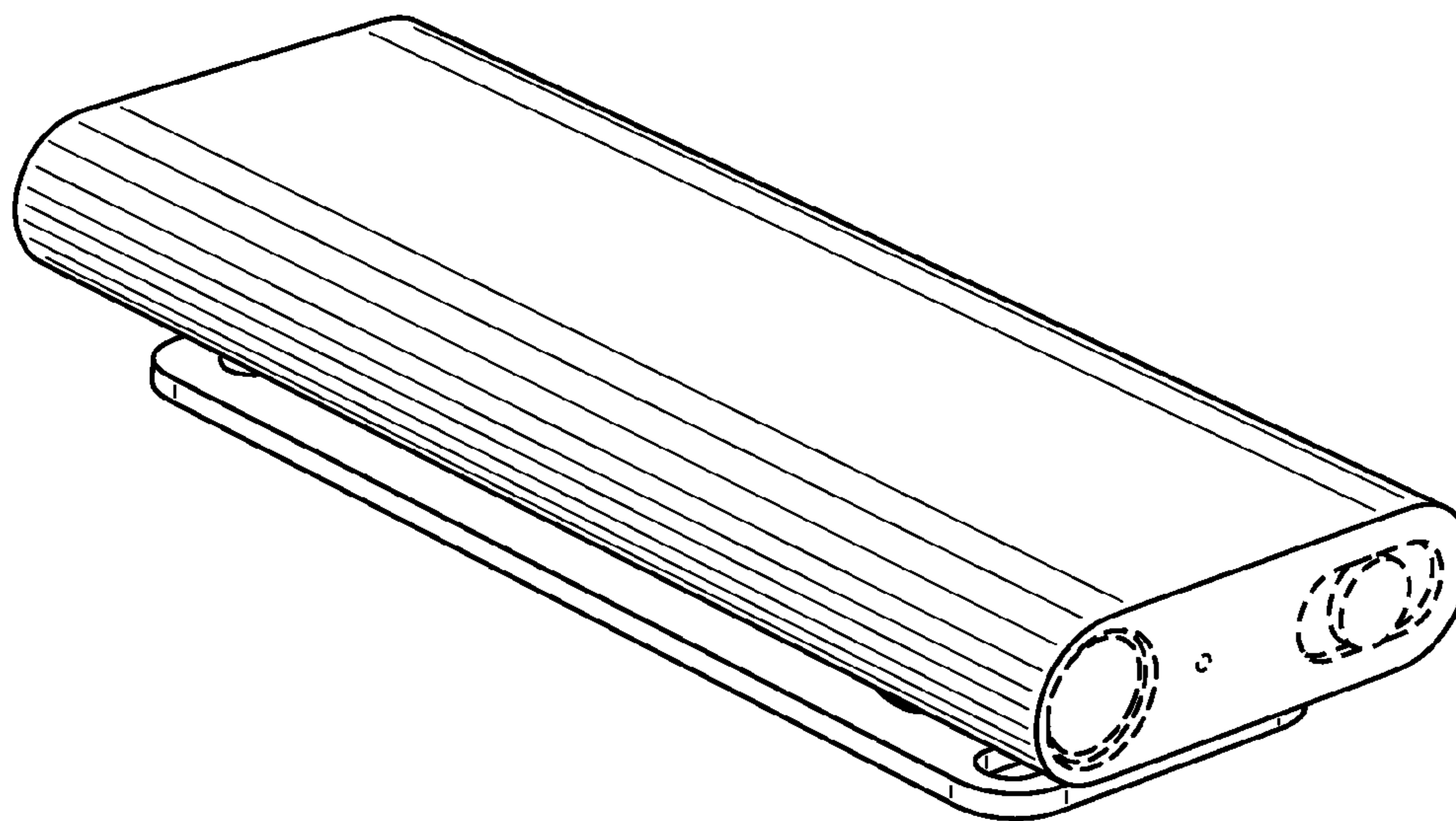


FIG. 4

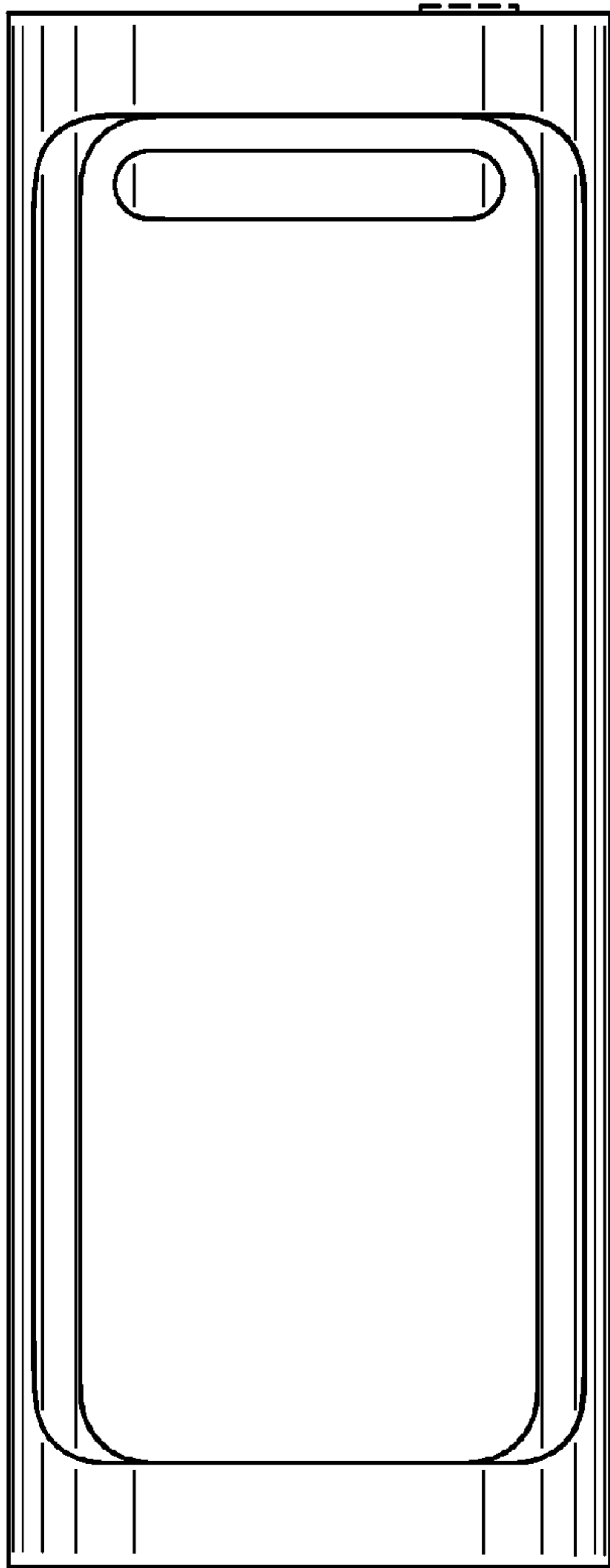


FIG. 5

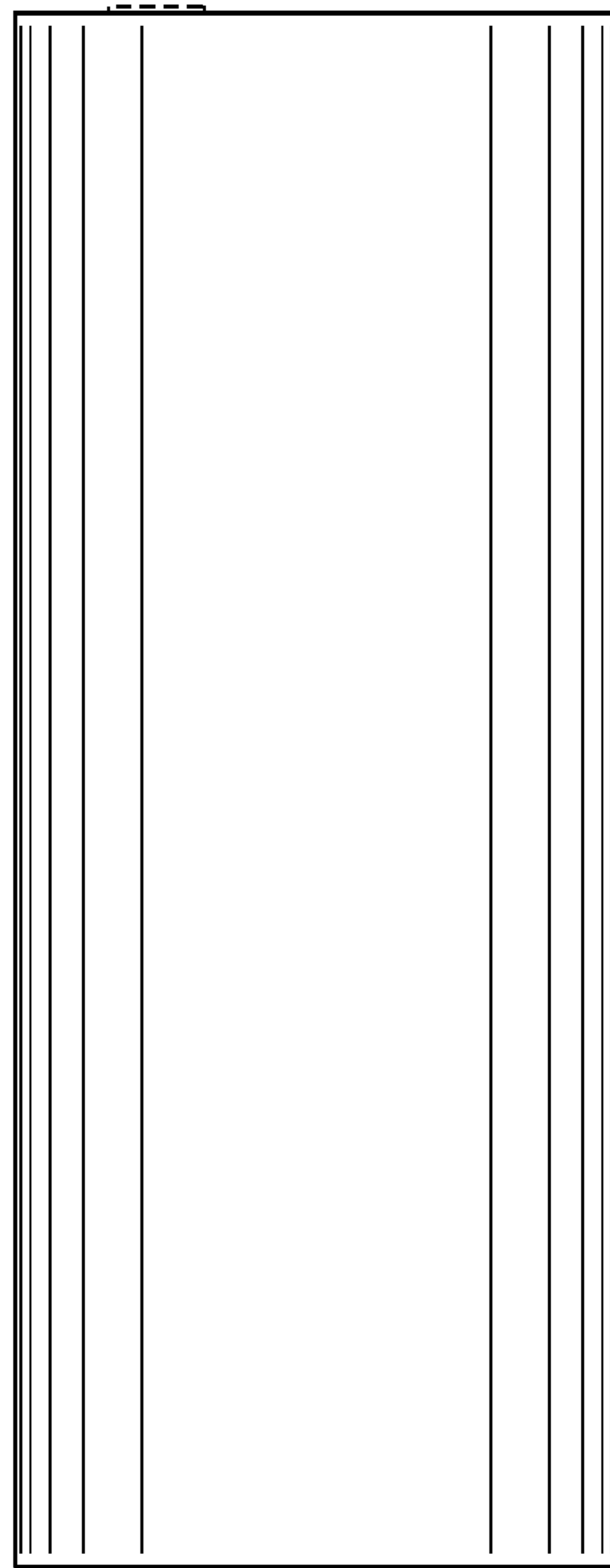


FIG. 6

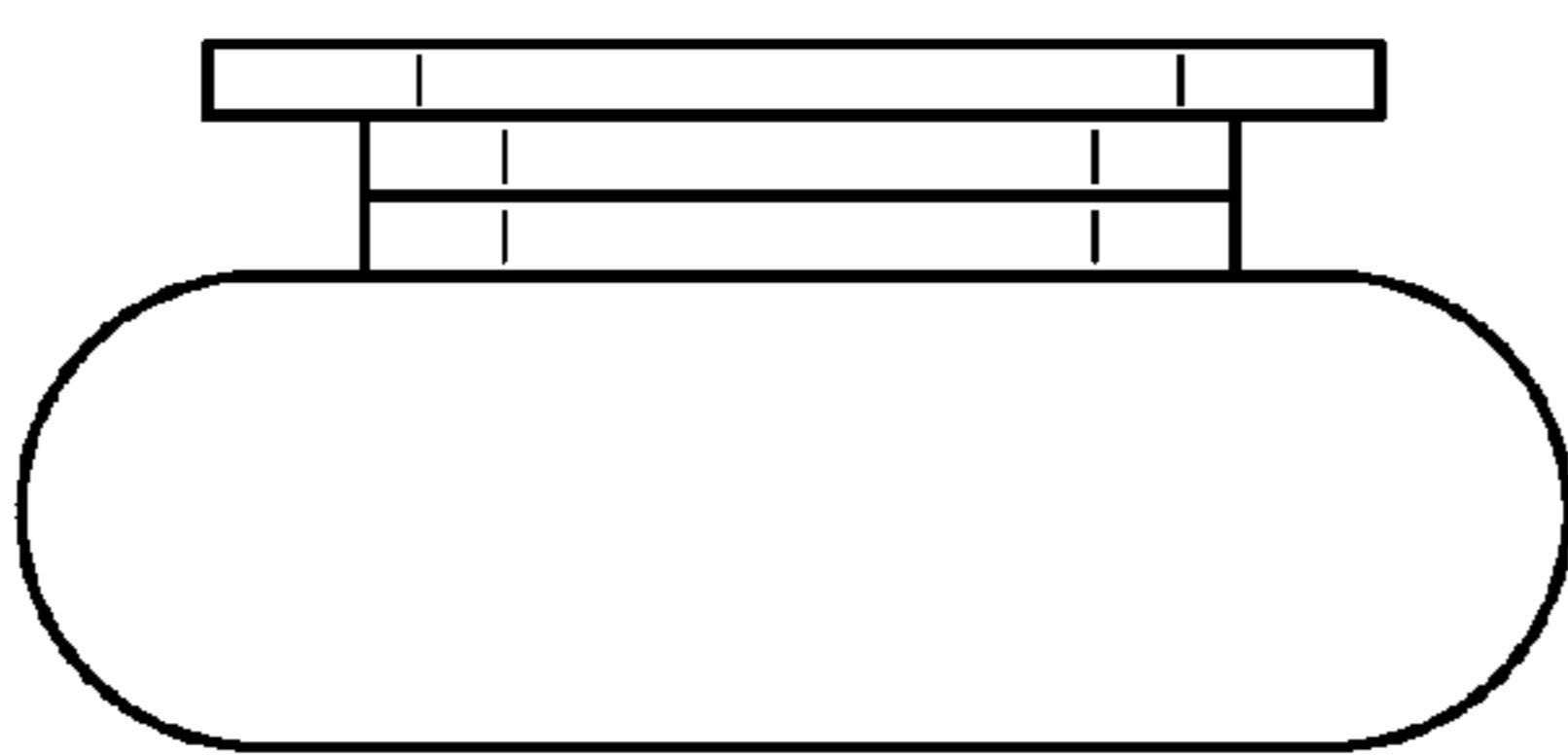


FIG. 7

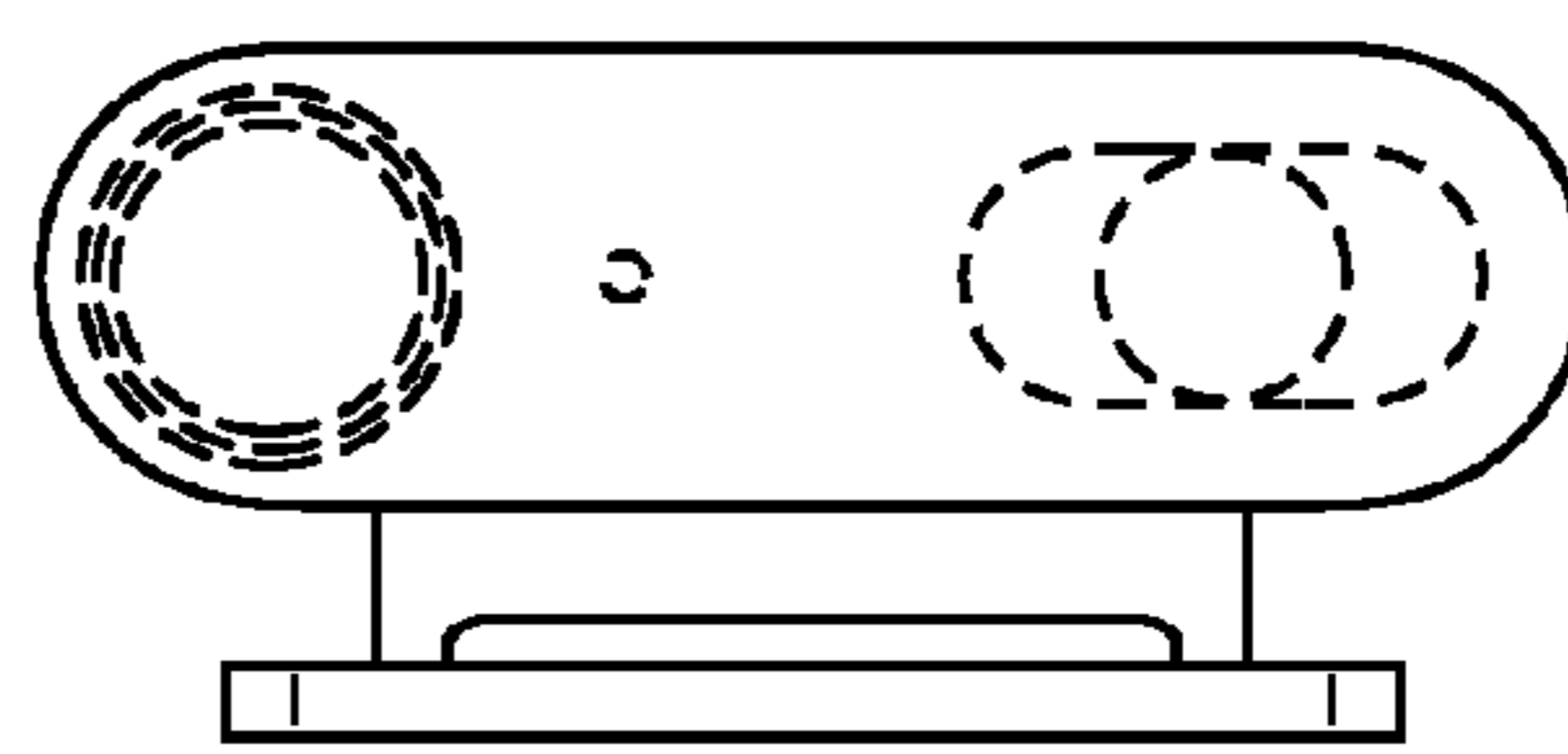


FIG. 8

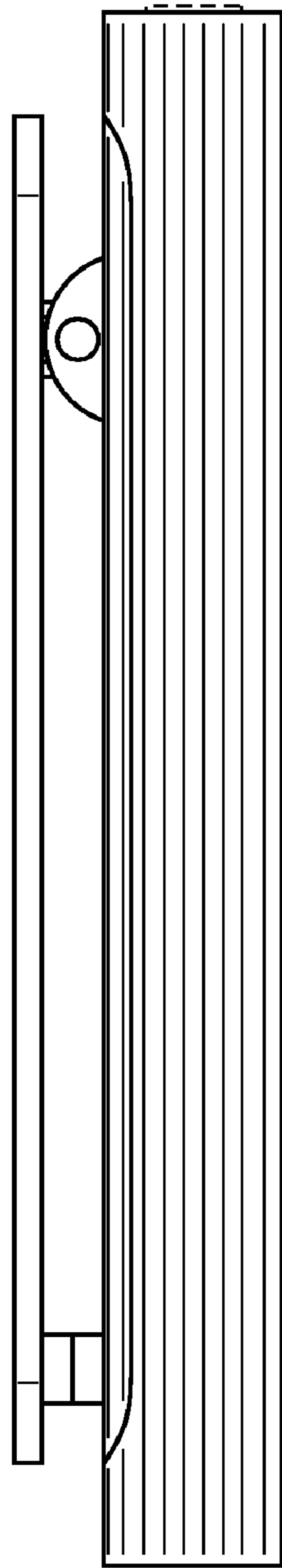


FIG. 9

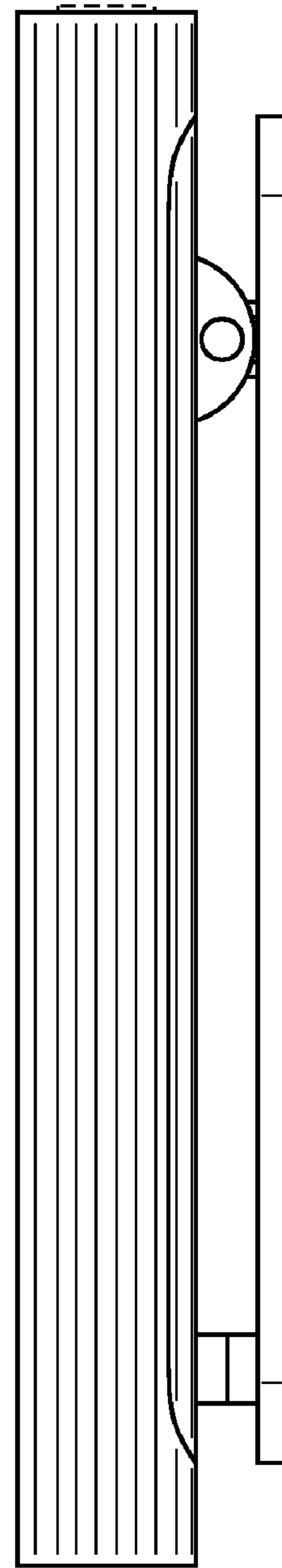


FIG. 10