



US00D590825S

(12) **United States Design Patent**  
**Liu**

(10) **Patent No.:** **US D590,825 S**  
(45) **Date of Patent:** **\*\* Apr. 21, 2009**

(54) **MOBILE PERSONAL COMPUTER**

(75) Inventor: **You-Chi Liu**, Taipei (TW)

(73) Assignee: **Compal Electronics, Inc.**, Taipei (TW)

(\*\*) Term: **14 Years**

(21) Appl. No.: **29/280,536**

(22) Filed: **May 31, 2007**

(51) **LOC (9) Cl.** ..... **14-02**

(52) **U.S. Cl.** ..... **D14/341**

(58) **Field of Classification Search** ..... D14/346,  
D14/341, 342, 343, 344, 345, 347, 439, 137,  
D14/138, 374, 248, 496, 125, 129; 345/169,  
345/173; 379/433.04, 433.06, 433.07, 433.11,  
379/433.12, 433.13; 348/14.02; 455/556.1,  
455/556.2, 566, 575.1, 575.3, 575.4, 90.3;  
341/22; D13/168; D18/6, 7; D21/329, 331  
See application file for complete search history.

(56) **References Cited**

**U.S. PATENT DOCUMENTS**

|              |      |         |               |       |           |
|--------------|------|---------|---------------|-------|-----------|
| D506,753     | S *  | 6/2005  | Duarte et al. | ..... | D14/346   |
| D527,000     | S *  | 8/2006  | Hong et al.   | ..... | D14/346   |
| 7,187,364    | B2 * | 3/2007  | Duarte et al. | ..... | 345/168   |
| D543,193     | S *  | 5/2007  | Chung et al.  | ..... | D14/138   |
| D544,460     | S *  | 6/2007  | Yau           | ..... | D14/138   |
| D552,125     | S *  | 10/2007 | Egawa         | ..... | D14/496   |
| 7,292,882    | B2 * | 11/2007 | Lee et al.    | ..... | 455/575.4 |
| D562,795     | S *  | 2/2008  | Nara          | ..... | D14/138   |
| 2002/0039074 | A1 * | 4/2002  | England       | ..... | 341/22    |
| 2007/0105606 | A1 * | 5/2007  | Yoon et al.   | ..... | 455/575.4 |
| 2007/0254730 | A1 * | 11/2007 | Kim et al.    | ..... | 455/575.4 |
| 2007/0259702 | A1 * | 11/2007 | Kemppinen     | ..... | 455/575.4 |

2008/0051161 A1\* 2/2008 Tashiro ..... 455/575.1

\* cited by examiner

*Primary Examiner*—Jennifer Rivard

*Assistant Examiner*—Angela J Lee

(74) *Attorney, Agent, or Firm*—Jianq Chyun IP Office

(57) **CLAIM**

The ornamental design for a mobile personal computer, is as shown and described.

**DESCRIPTION**

FIG. 1 is a perspective view of a mobile personal computer showing the new design;

FIG. 2 is another perspective view of a mobile personal computer showing the new design;

FIG. 3 is a front view thereof;

FIG. 4 is a rear view thereof;

FIG. 5 is a left side view thereof;

FIG. 6 is a right side view thereof;

FIG. 7 is a top view thereof;

FIG. 8 is a bottom view thereof;

FIG. 9 is a perspective view showing the article with a display being in the closed position thereof;

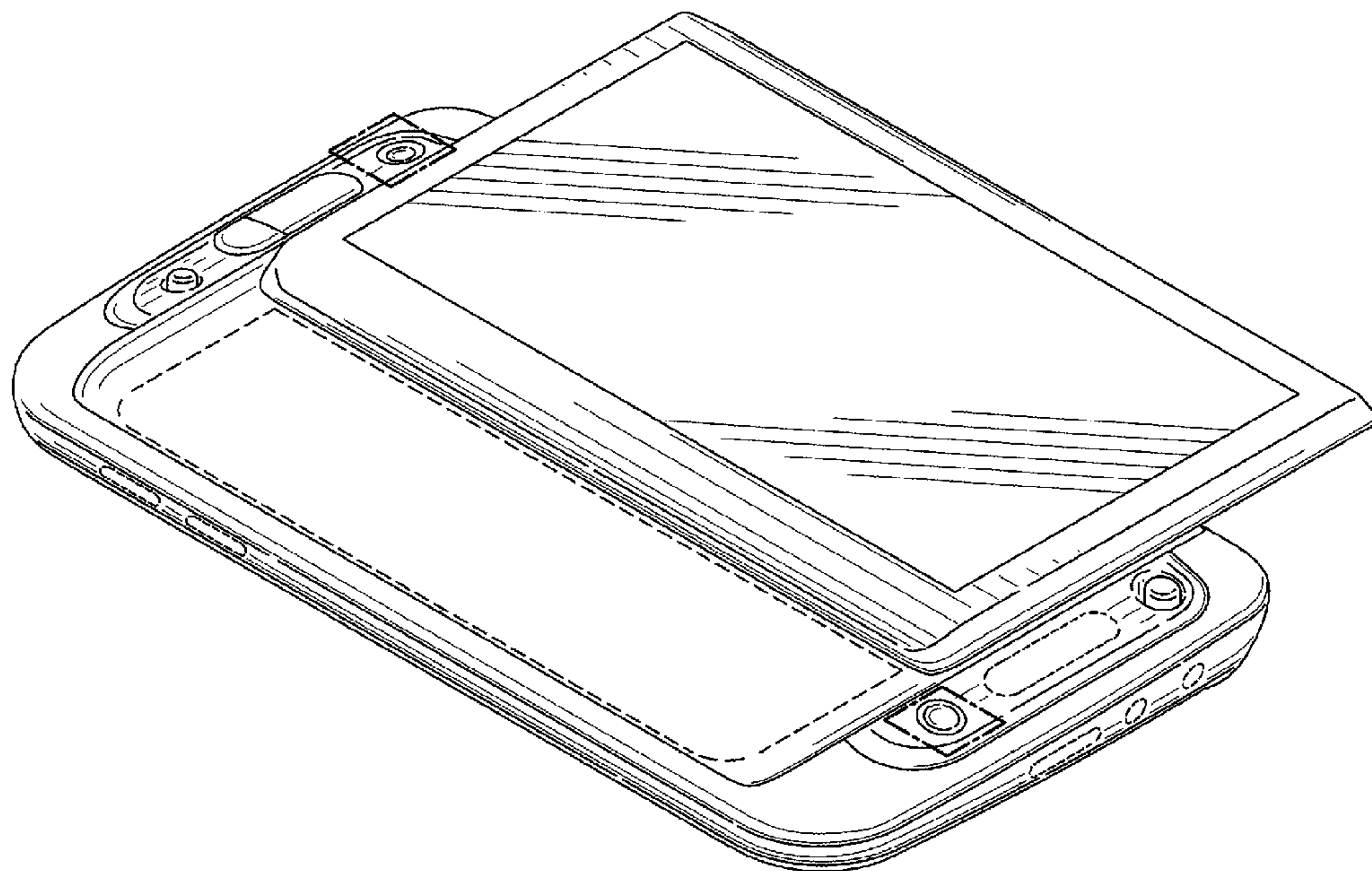
FIG. 10 is an enlarged view of an indicated portion of FIG. 1;

FIG. 11 is an enlarged view of another indicated portion of FIG. 1; and,

FIG. 12 is an enlarged view of an indicated portion of FIG. 2.

The broken line showing of portions of the mobile personal computer forms no part of the claimed design.

**1 Claim, 10 Drawing Sheets**



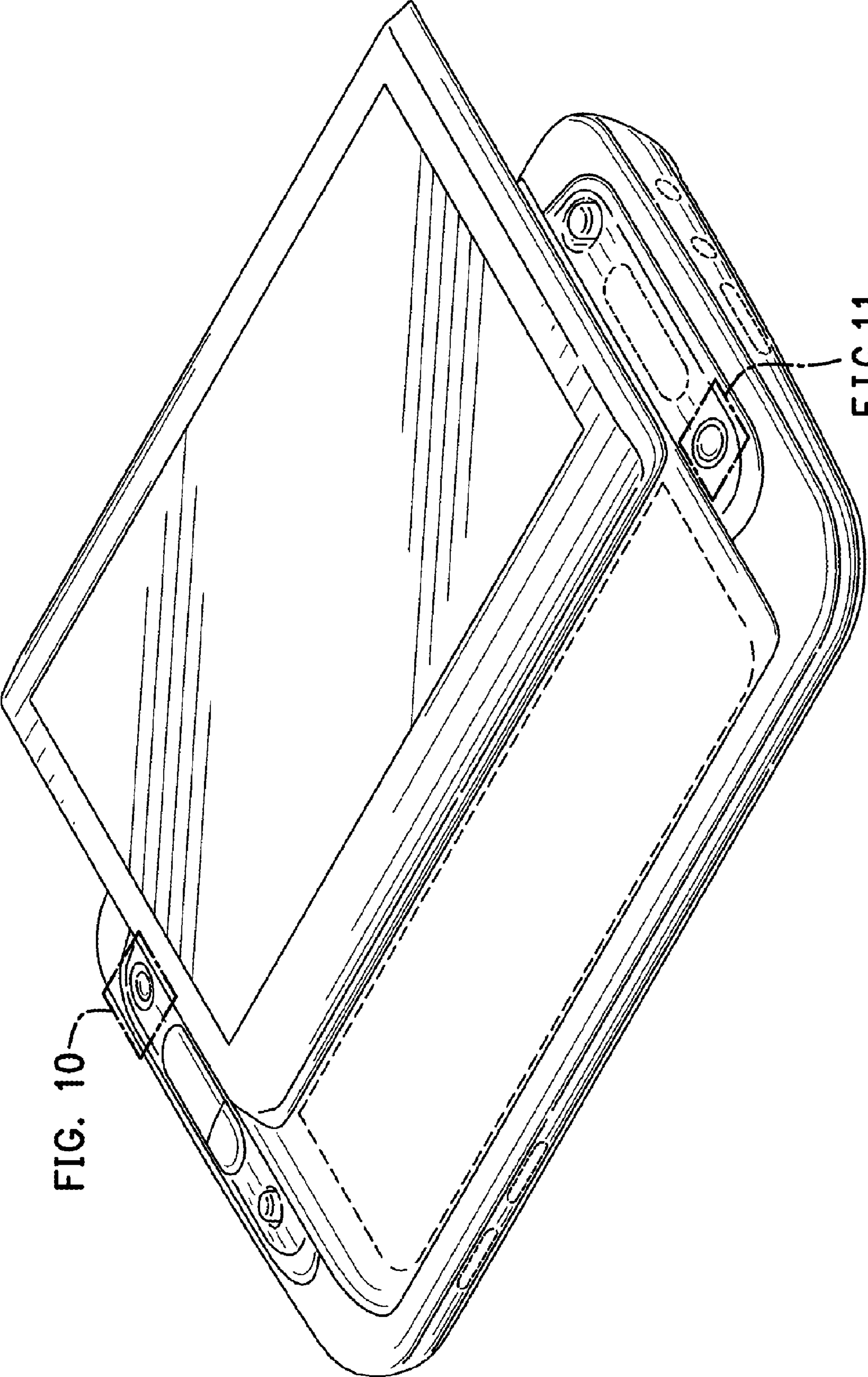


FIG. 10

FIG. 11

FIG. 1



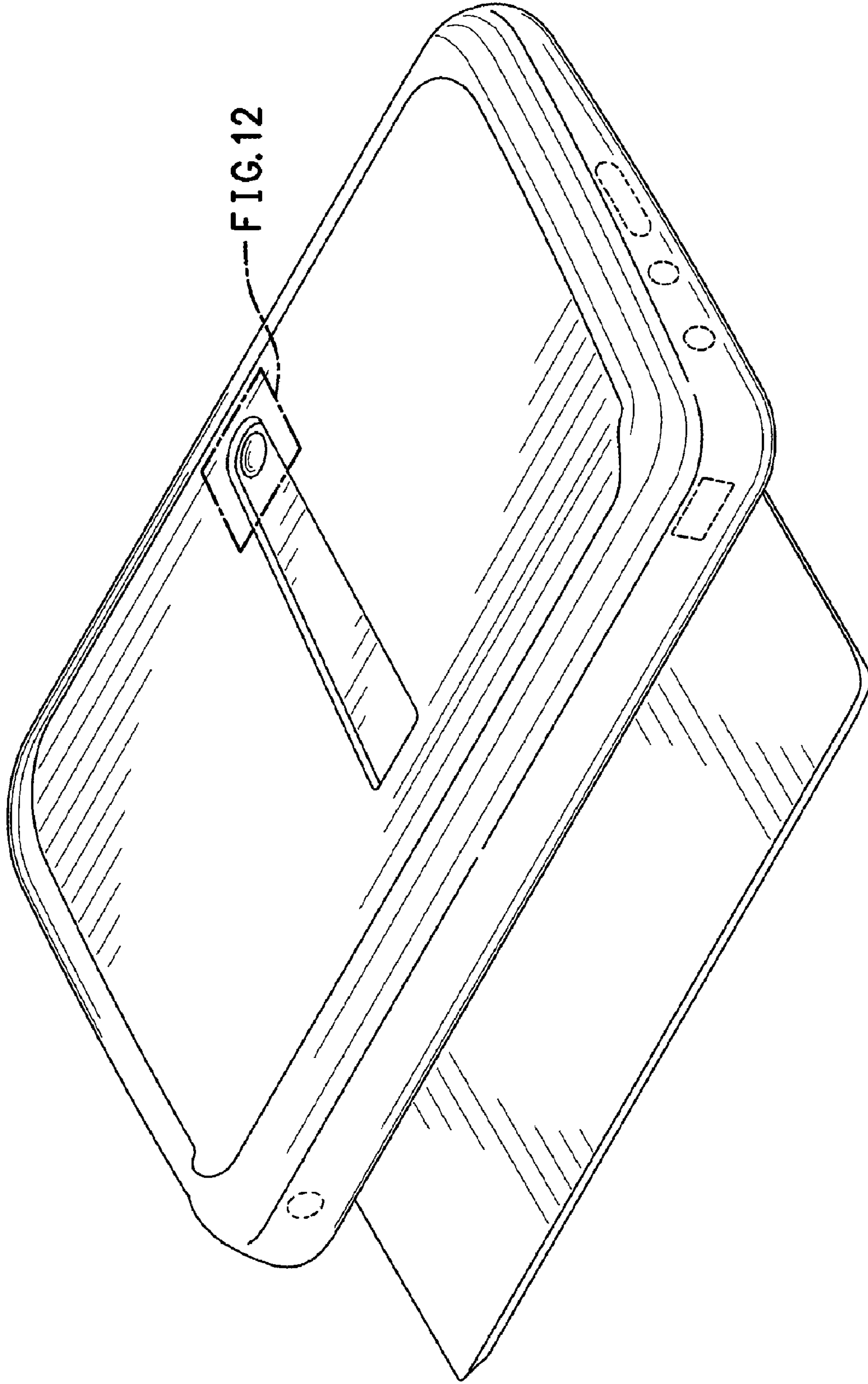


FIG. 12

FIG. 2

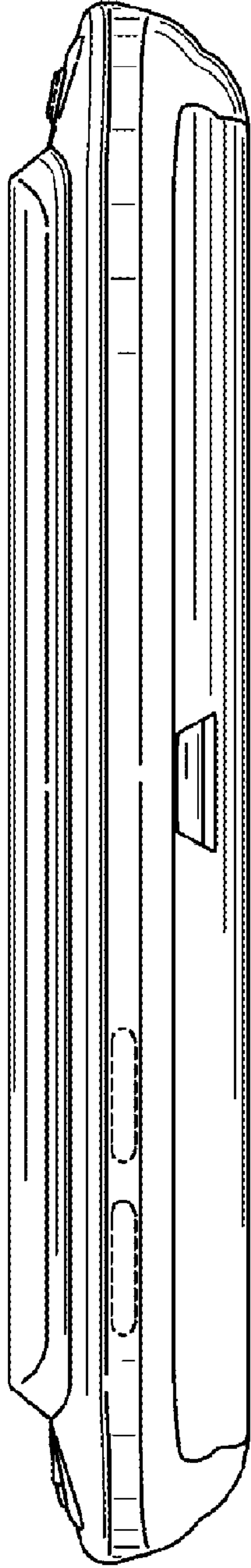


FIG. 3

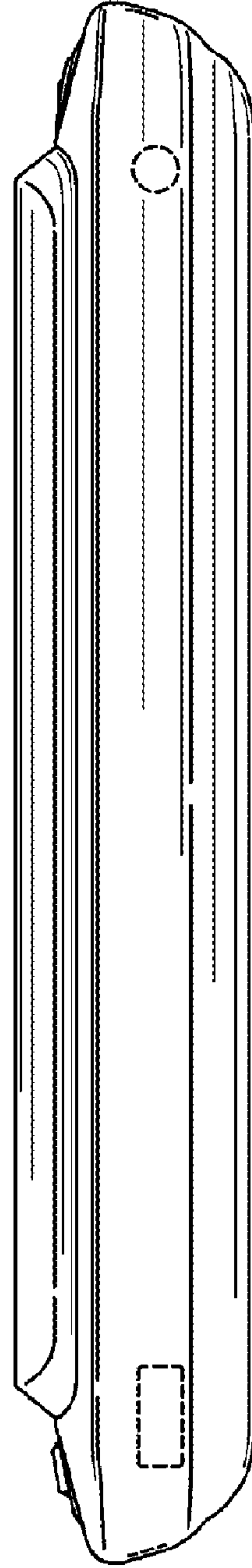


FIG. 4

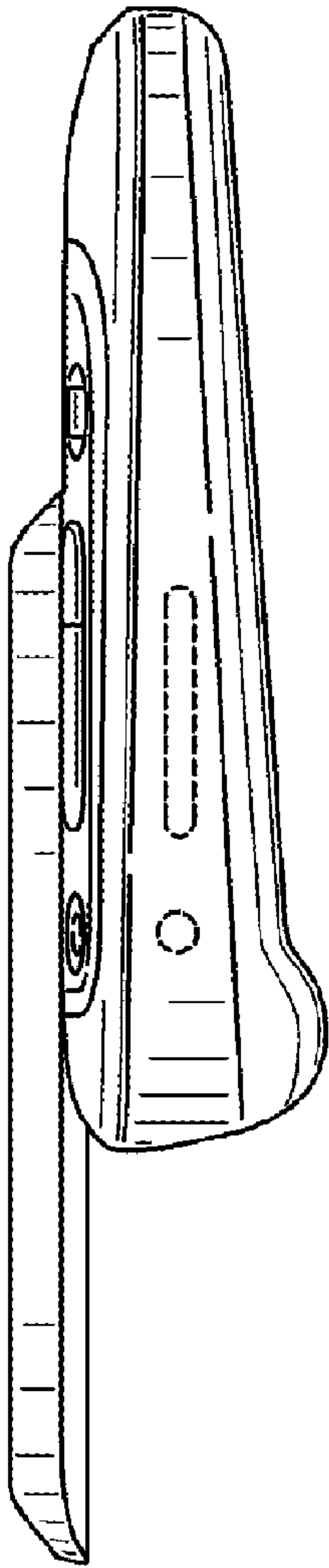


FIG. 5

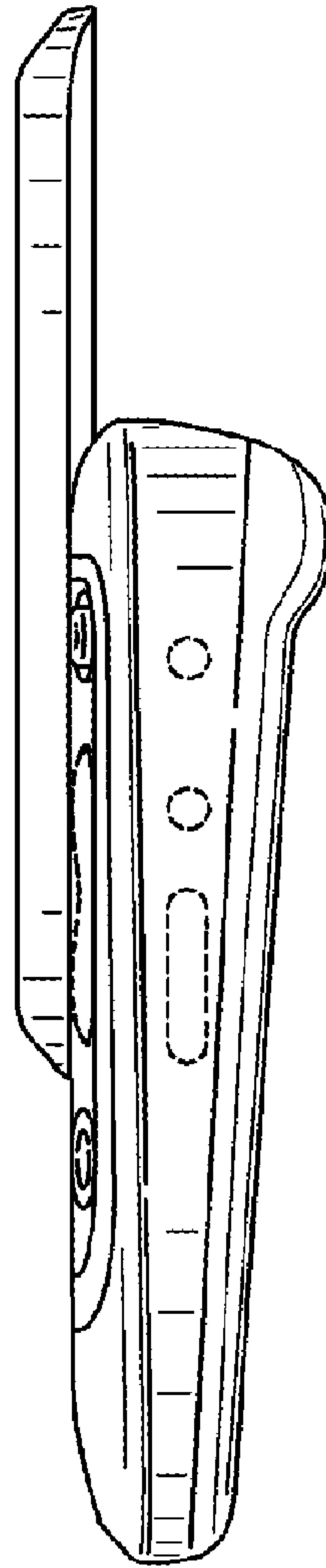


FIG. 6

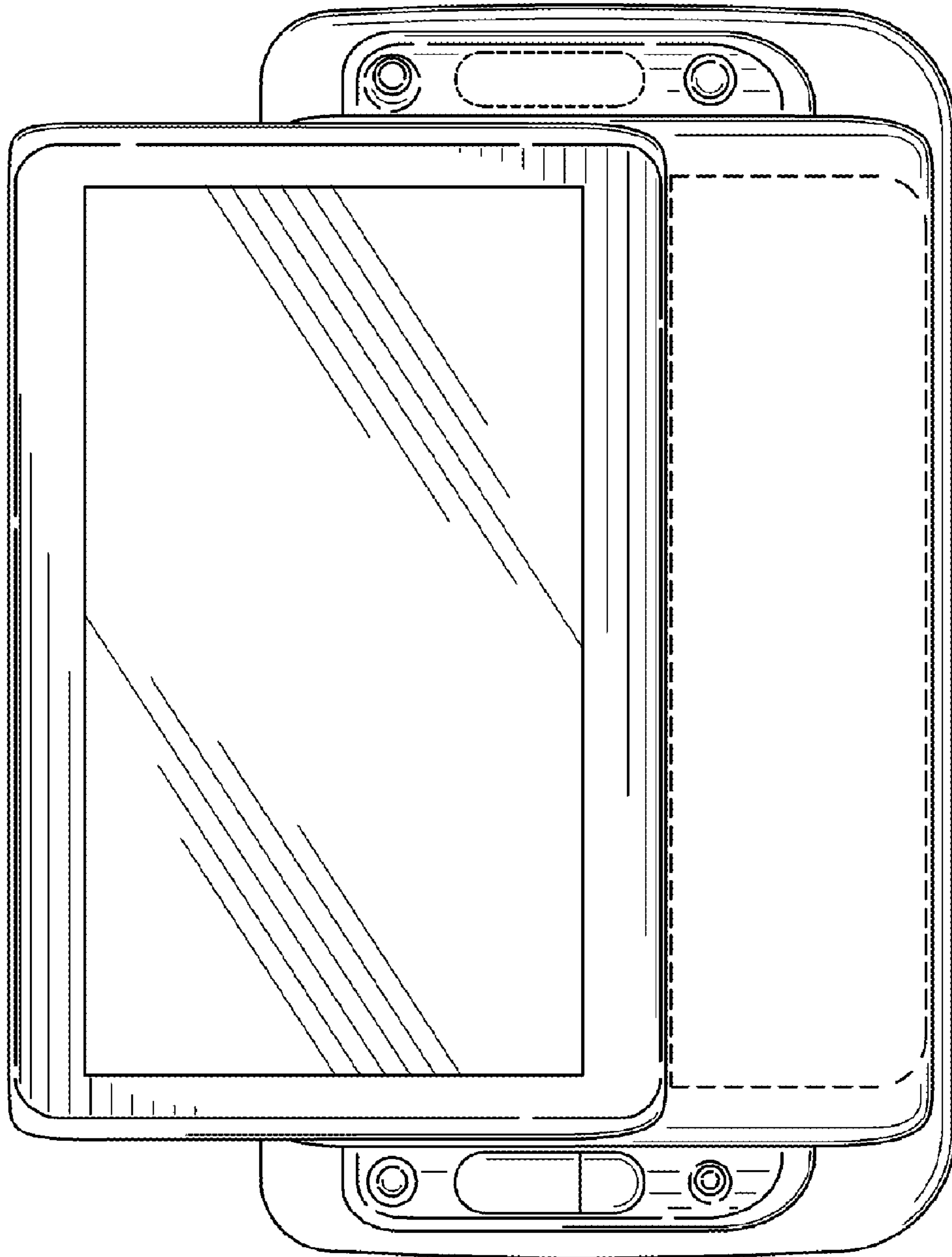


FIG. 7

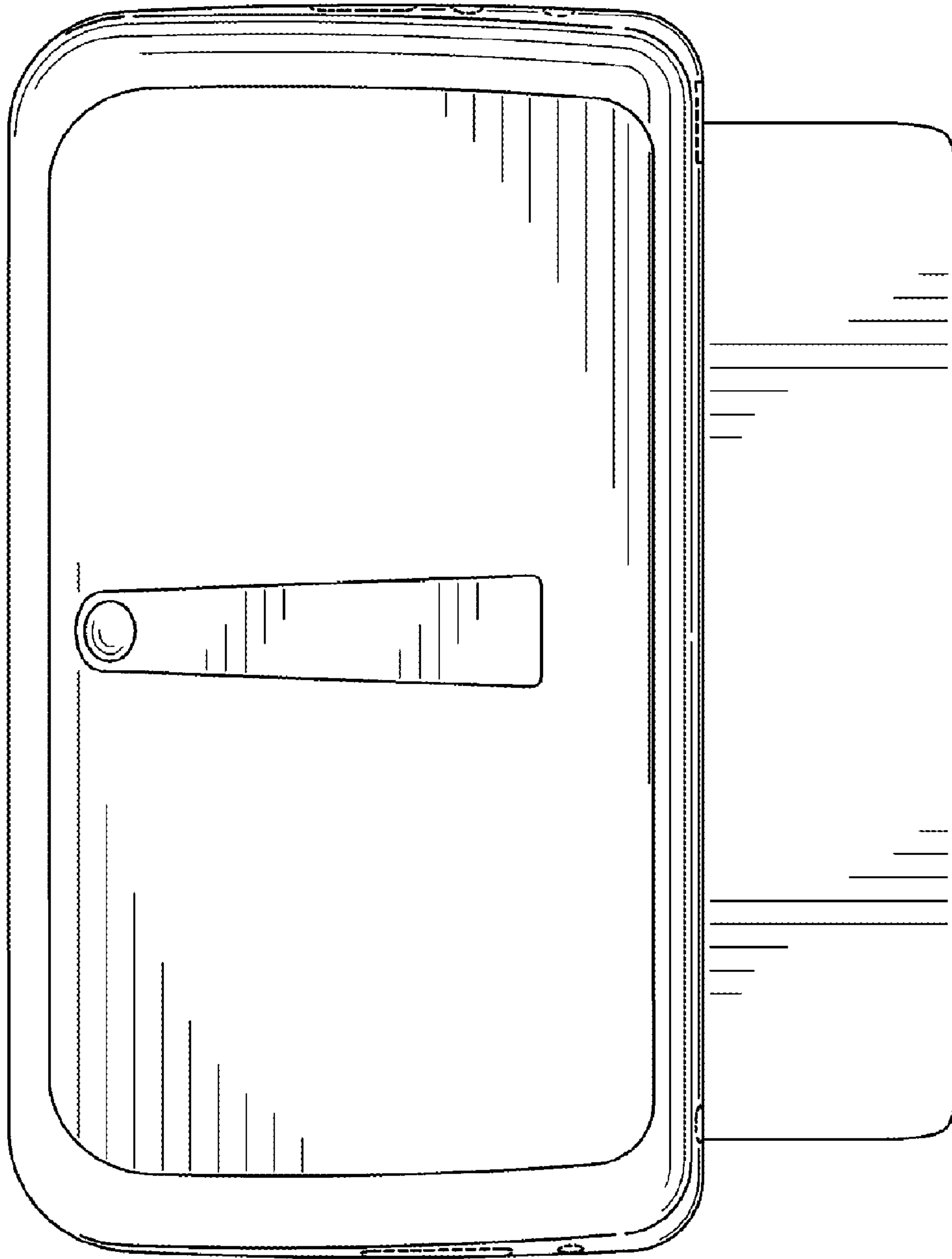


FIG. 8



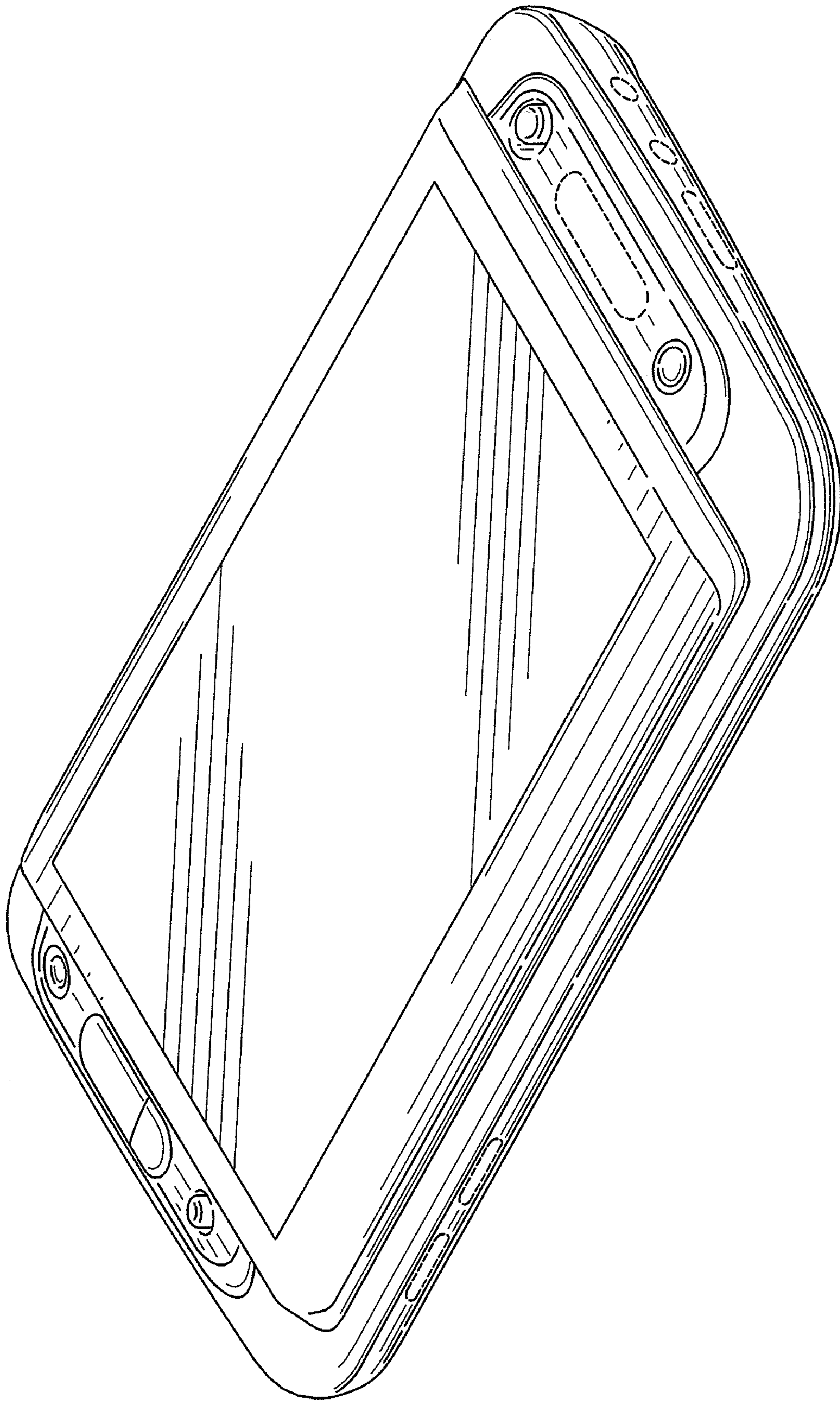


FIG. 9



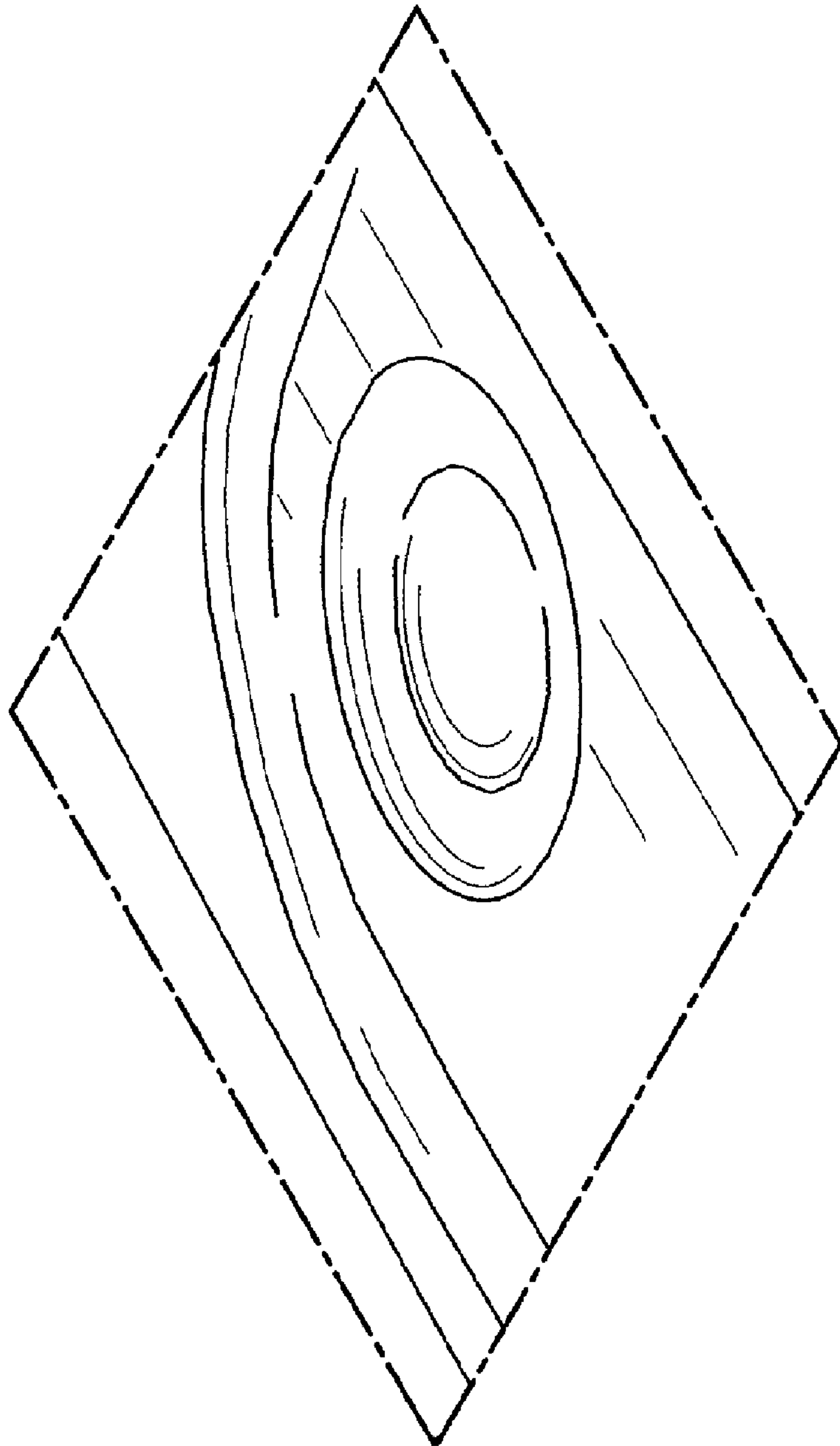


FIG. 10

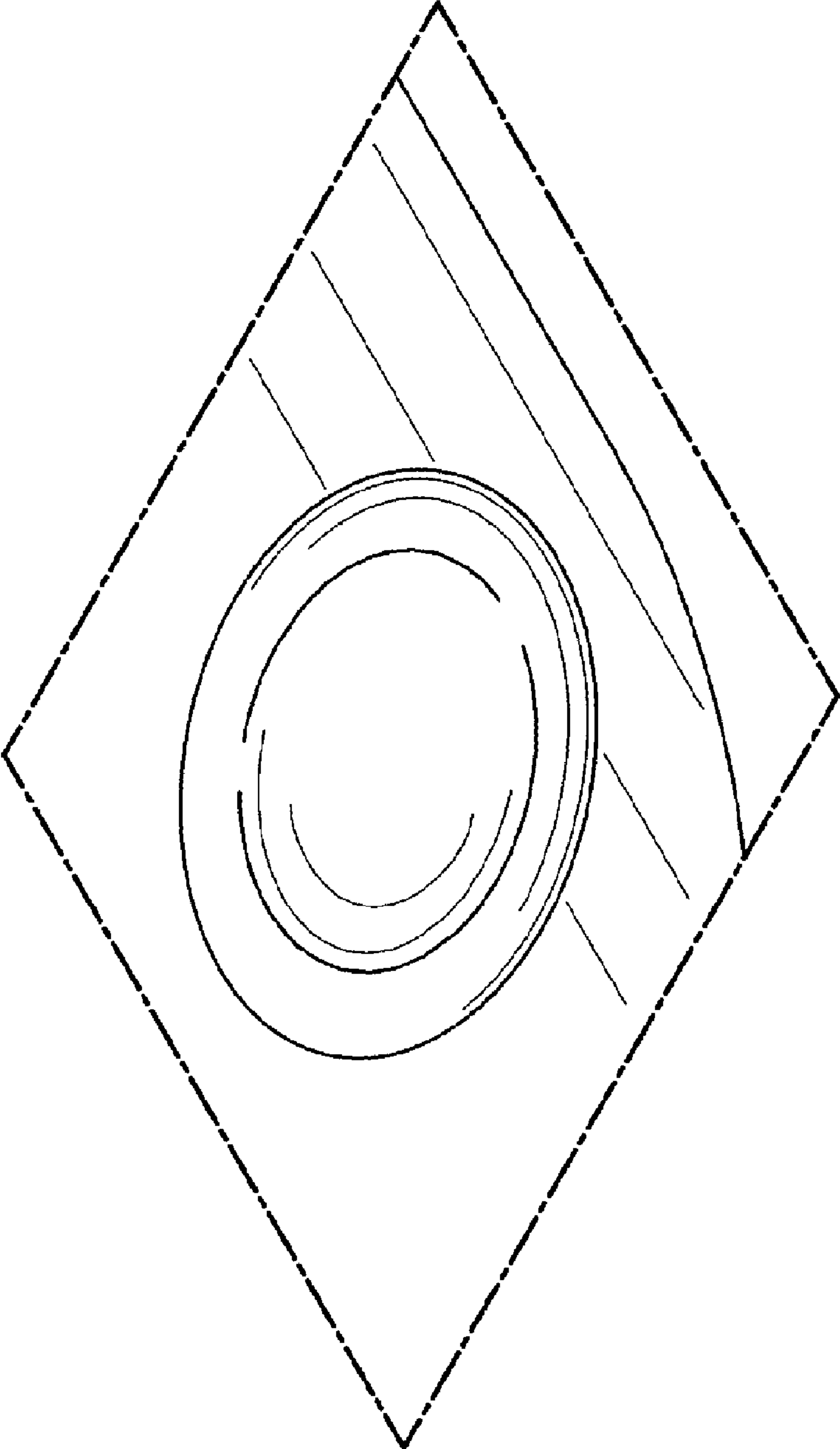


FIG. 11

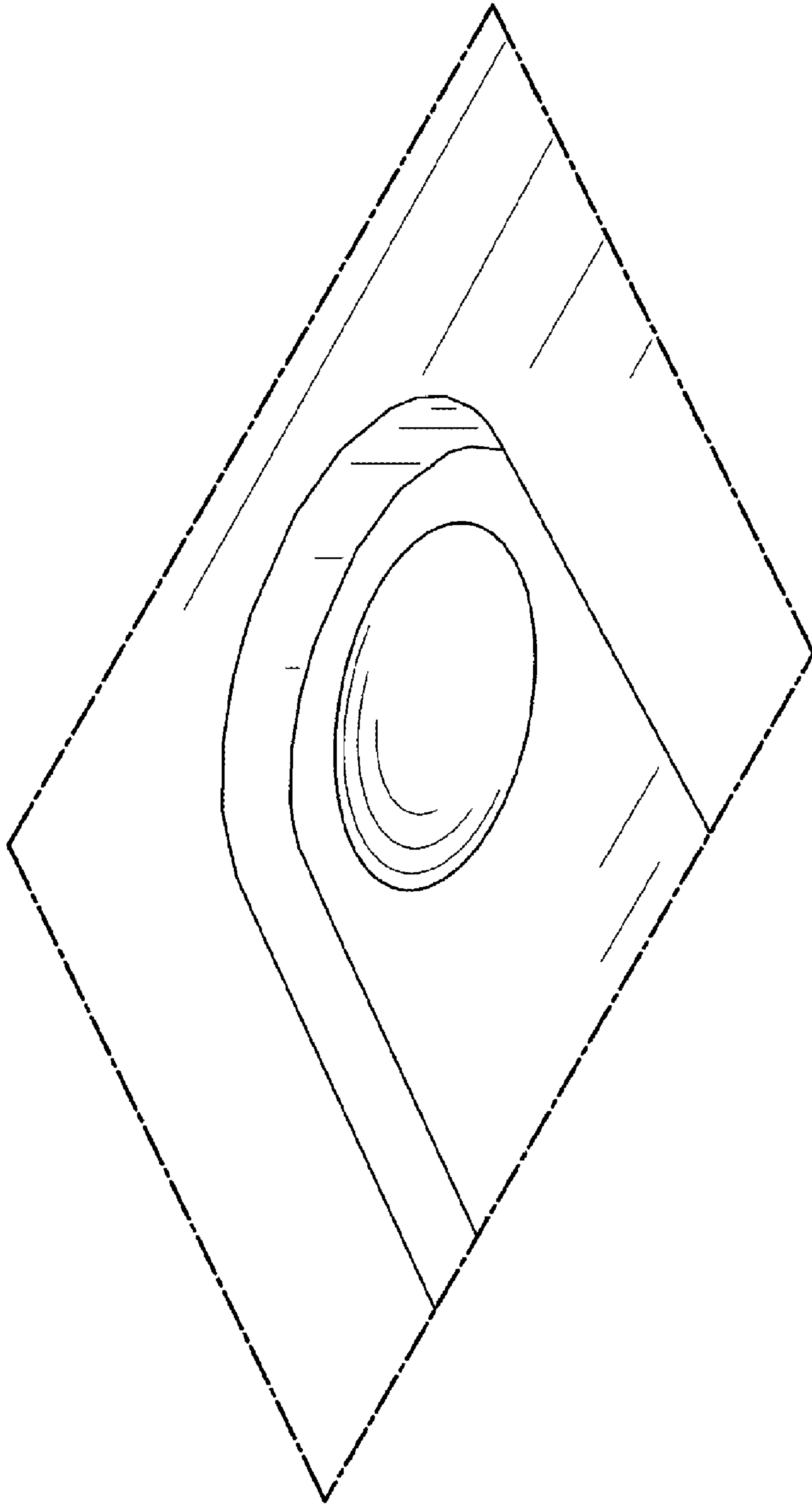


FIG. 12