



US00D590824S

(12) **United States Design Patent**
Kurosawa et al.

(10) **Patent No.:** **US D590,824 S**

(45) **Date of Patent:** **** Apr. 21, 2009**

(54) **PERSONAL COMPUTER**

(75) Inventors: **Yu Kurosawa**, Kawasaki (JP); **Makoto Sawaguchi**, Tokorozawa (JP)

(73) Assignee: **Fujitsu Limited**, Kawasaki (JP)

(**) Term: **14 Years**

(21) Appl. No.: **29/287,666**

(22) Filed: **Sep. 5, 2007**

(30) **Foreign Application Priority Data**

Apr. 16, 2007 (JP) 2007-010086

(51) **LOC (9) Cl.** **14-02**

(52) **U.S. Cl.** **D14/315**

(58) **Field of Classification Search** D14/315-326,
D14/439; D18/1, 2, 7, 11; 235/145 A, 145 R;
341/22, 23; 345/156, 167-169, 172, 173,
345/87; 361/680-686, 690-696; 400/486,
400/489; 379/428.04

See application file for complete search history.

(56) **References Cited**

U.S. PATENT DOCUMENTS

D353,133 S * 12/1994 Yamada et al. D14/325

D483,356 S * 12/2003 Kobayashi D14/318

6,922,335 B2 * 7/2005 Shimada et al. 361/683

7,016,183 B2 * 3/2006 Takemoto et al. 361/683
7,113,397 B2 * 9/2006 Lee 361/683
2004/0228081 A1 * 11/2004 Lee 361/683
2006/0034045 A1 * 2/2006 Wang 361/683

* cited by examiner

Primary Examiner—Freda S Nunn

(74) *Attorney, Agent, or Firm*—Staas & Halsey LLP

(57) **CLAIM**

The ornamental design for a personal computer, as shown and described.

DESCRIPTION

FIG. 1 is a perspective view of front, bottom and right side of a personal computer showing our new design;

FIG. 2 is a front view thereof;

FIG. 3 is a rear view thereof;

FIG. 4 is a top plan view thereof;

FIG. 5 is a bottom view thereof;

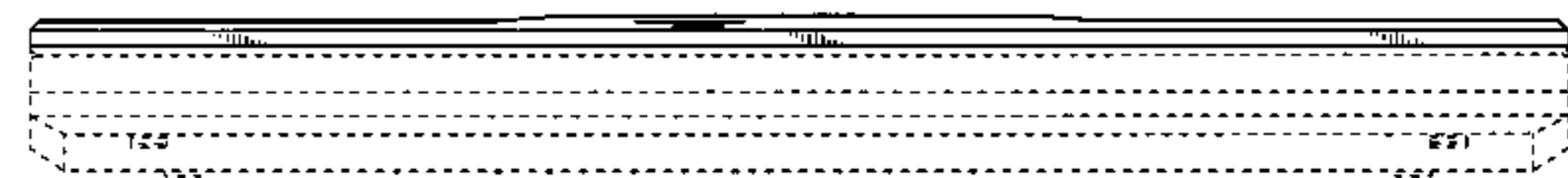
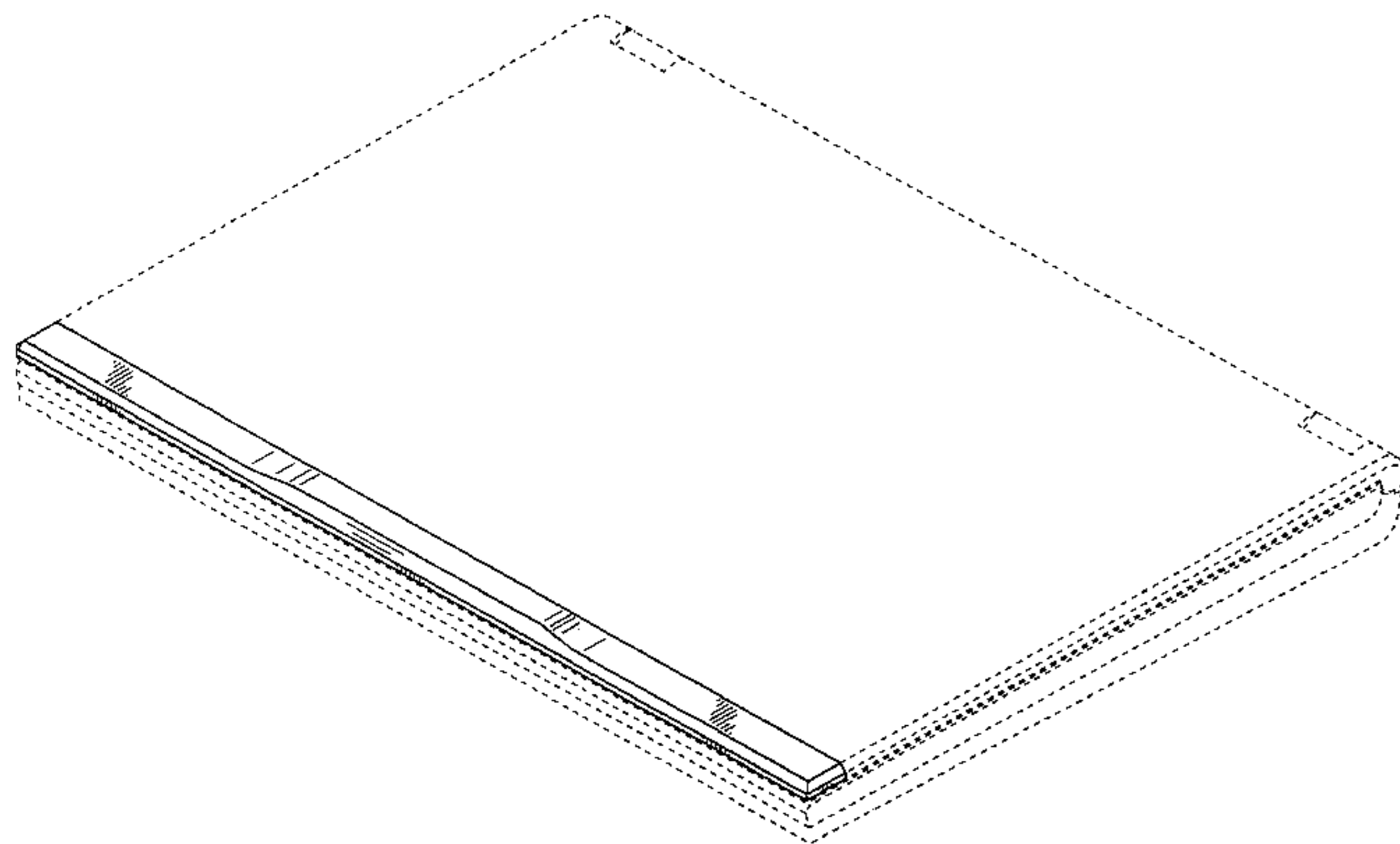
FIG. 6 is a left side view thereof;

FIG. 7 is a right side view; and,

FIG. 8 is a perspective view with the lid in open condition thereof.

Broken lines shown in the drawings illustrate portions of the personal computer, and form no part of the claimed design.

1 Claim, 6 Drawing Sheets



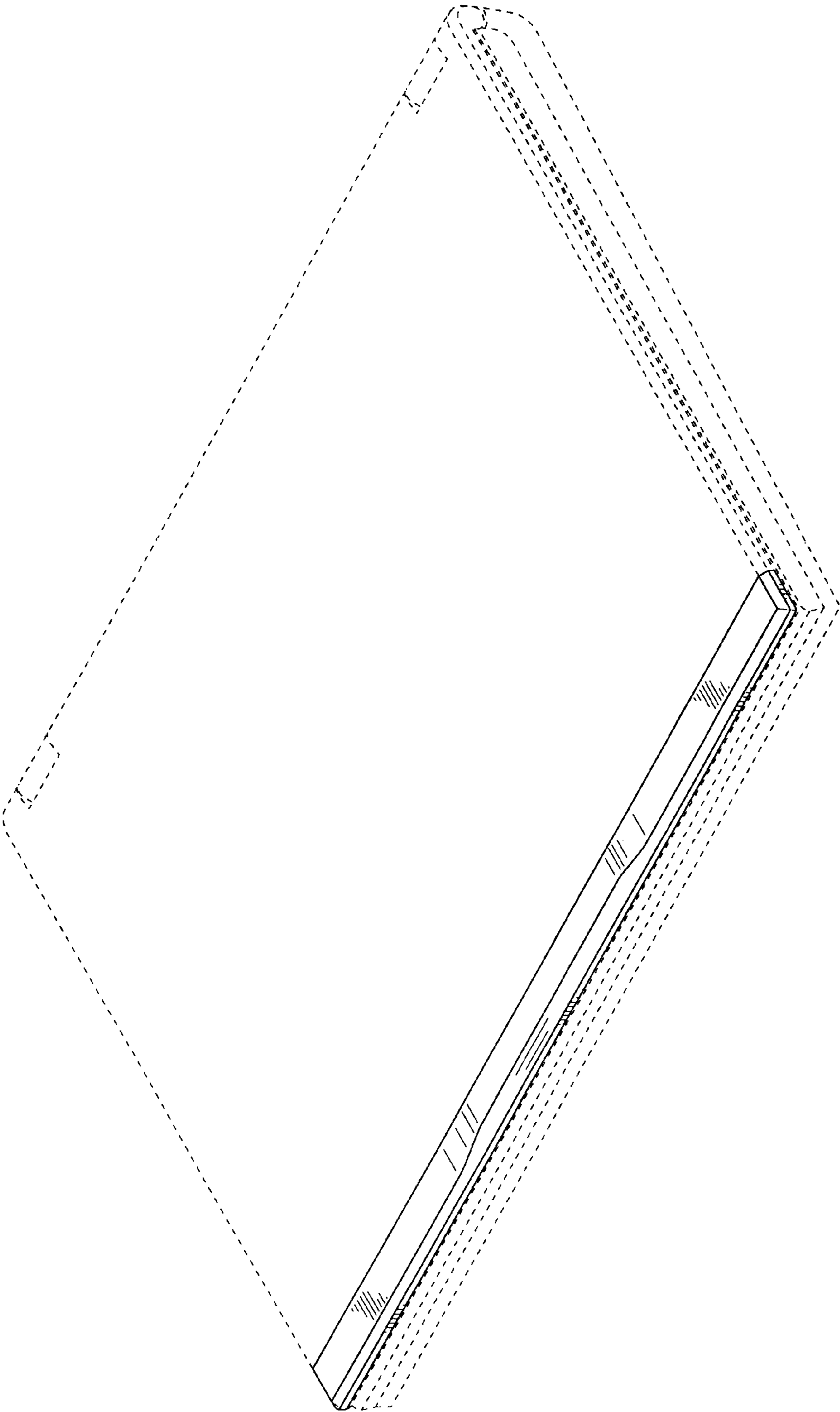


FIG. 1

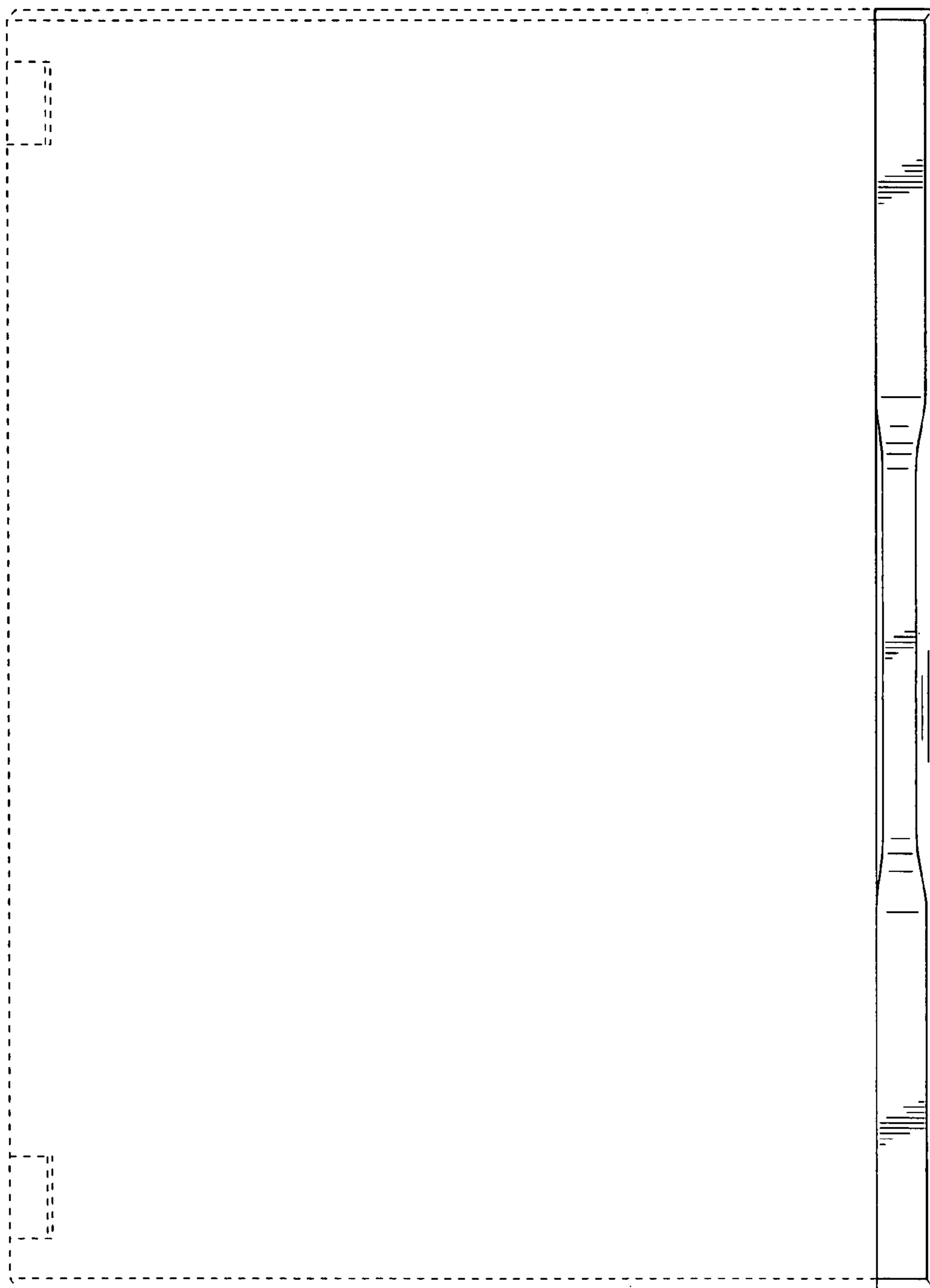


FIG. 2

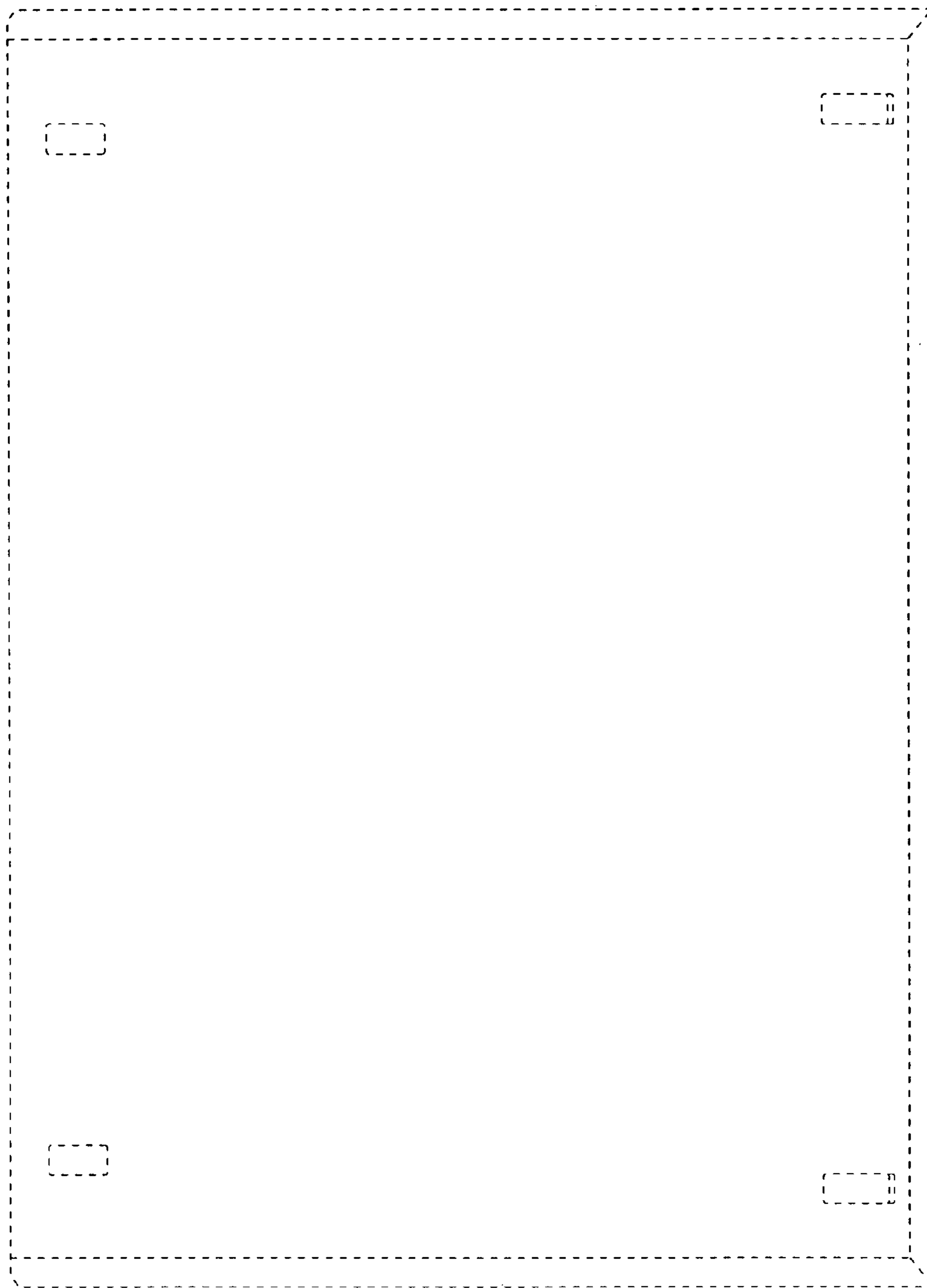


FIG. 3

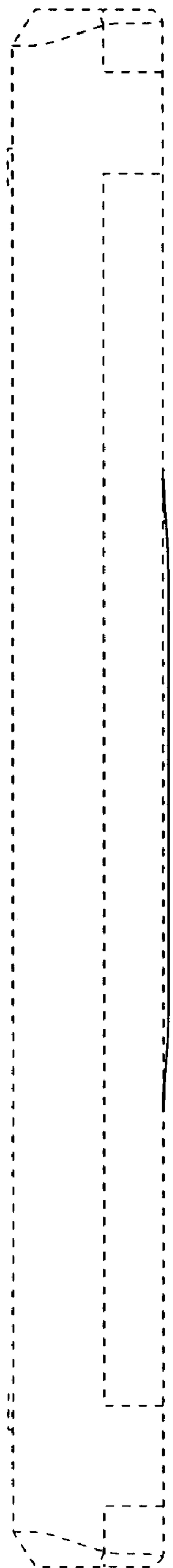


FIG. 4

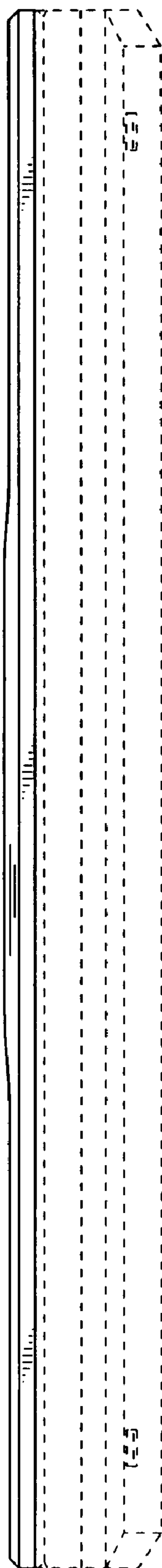


FIG. 5

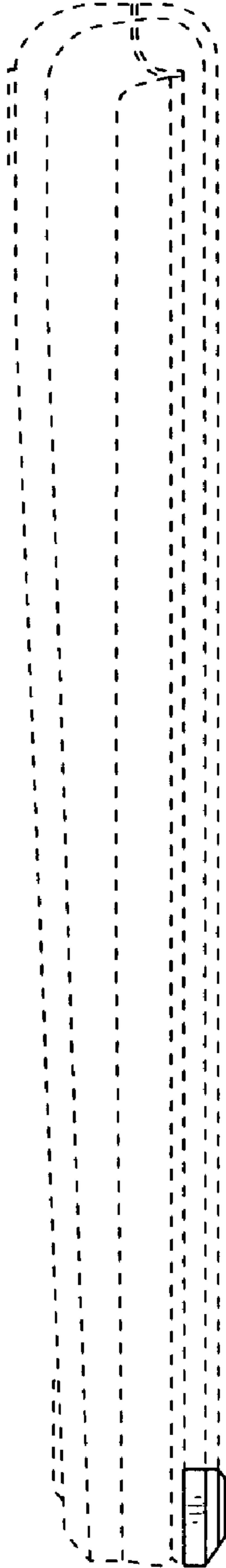


FIG. 6

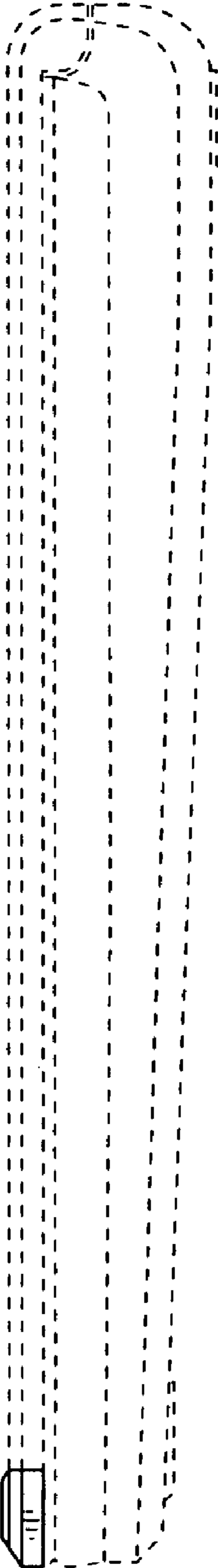


FIG. 7

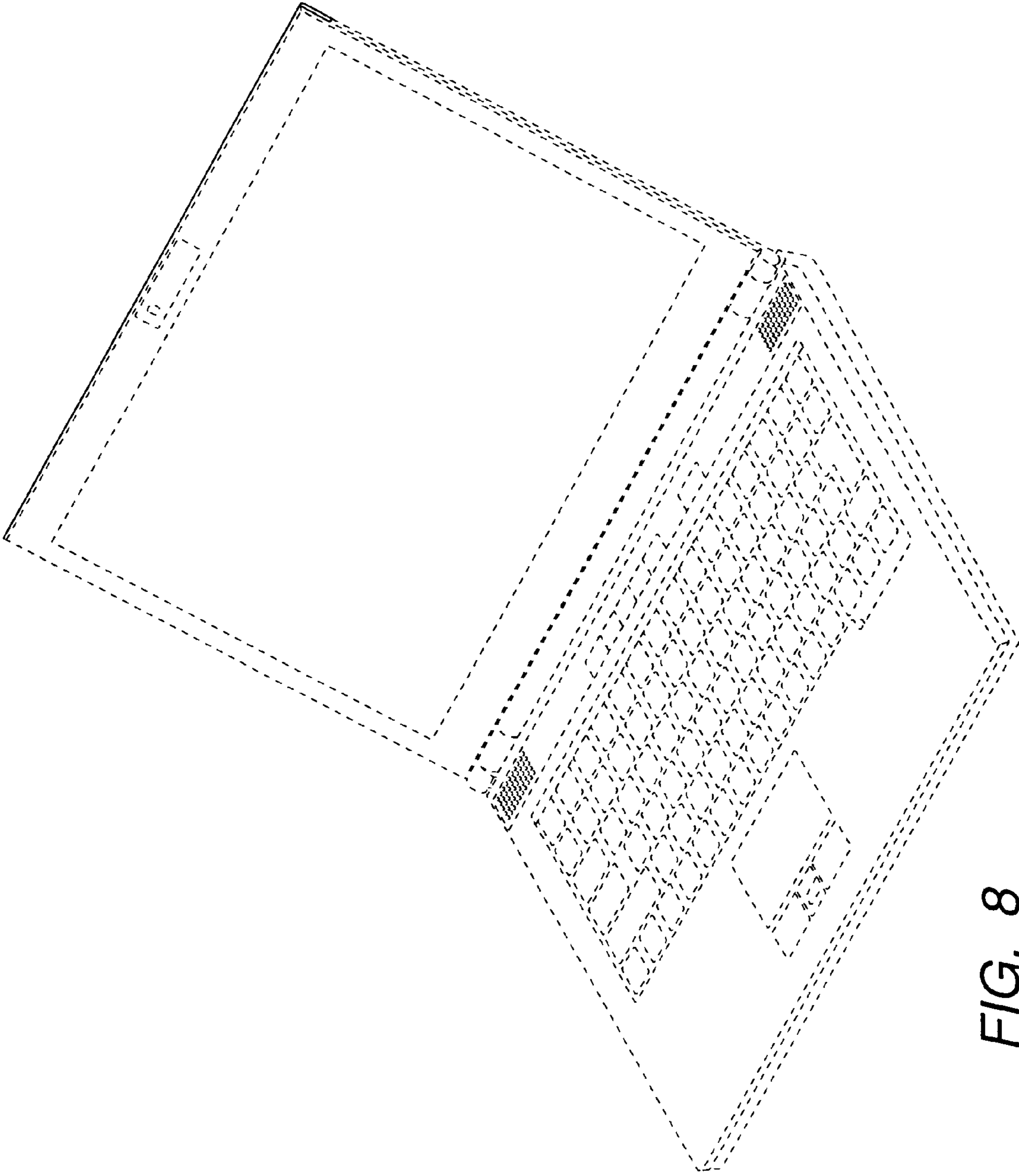


FIG. 8