



US00D590822S

(12) **United States Design Patent**
Leith et al.

(10) **Patent No.:** **US D590,822 S**
(45) **Date of Patent:** **** Apr. 21, 2009**

(54) **HANDSET**

(75) Inventors: **Daren Leith**, West Hills, CA (US);
Daniel Dhondt, Espoo (FI)

(73) Assignee: **Nokia Corporation**, Espoo (FI)

(**) Term: **14 Years**

(21) Appl. No.: **29/318,097**

(22) Filed: **May 13, 2008**

D537,058	S	*	2/2007	Chauhan et al.	D14/138 AD
D538,277	S	*	3/2007	Eguchi	D14/248
D539,793	S	*	4/2007	Johansson	D14/248
D544,460	S		6/2007	Yau	
D562,790	S	*	2/2008	Hering et al.	D14/138 AB
D580,424	S	*	11/2008	Wang et al.	D14/248
2003/0181225	A1	*	9/2003	Hasegawa et al.	455/566
2005/0014538	A1		1/2005	Hyun et al.	
2006/0063569	A1		3/2006	Jacobs et al.	
2006/0105806	A1		5/2006	Vance et al.	
2006/0121961	A1	*	6/2006	Cho	455/575.3
2006/0205450	A1		9/2006	Amano et al.	
2008/0051162	A1	*	2/2008	Kim et al.	455/575.3

Related U.S. Application Data

(63) Continuation of application No. 29/250,715, filed on Nov. 28, 2006.

(51) **LOC (9) Cl.** **14-03**

(52) **U.S. Cl.** **D14/248; D16/208**

(58) **Field of Classification Search** D14/137,
D14/138 R, 138 AA, 138 AB, 138 AC, 138 AD,
D14/138 C, 138 G, 147, 191, 218, 247-248,
D14/341-347, 455, 496; D10/65, 78, 104;
D13/168; D16/202, 206, 219, 208; D18/7;
455/556.1, 566, 575.1, 575.3; 345/169
See application file for complete search history.

(56) **References Cited**

U.S. PATENT DOCUMENTS

D445,440	S	*	7/2001	Chen	D16/202
6,389,267	B1	*	5/2002	Imai	455/90.1
D466,915	S	*	12/2002	Schelling et al.	D16/219
D480,057	S	*	9/2003	Ho-Cheun et al. ...	D14/138 AA
D489,365	S	*	5/2004	Shimamura et al.	D14/248
D495,695	S		9/2004	Yugaya	
D511,342	S		11/2005	Chien	
D520,981	S	*	5/2006	Lee et al.	D14/138 AB
D525,243	S	*	7/2006	Griffin	D14/248
D525,244	S	*	7/2006	Corley et al.	D14/248
D525,609	S		7/2006	Kim et al.	
D530,295	S		10/2006	Chung et al.	
D534,516	S		1/2007	Lheem	
D534,890	S		1/2007	Kim	
D536,691	S		2/2007	Park	

FOREIGN PATENT DOCUMENTS

WO	DM/068186	*	8/2006
WO	DM/068930	*	3/2007
WO	DM/069016	*	5/2007

OTHER PUBLICATIONS

Nokia N80, announced 4th quarter 2005, [online], [retrieved on Feb. 16, 2007]. Retrieved from Internet ,<URL: http://www.gsmarena.com>.*

* cited by examiner

Primary Examiner—Jeffrey D Asch

Assistant Examiner—Bridget L Eland

(74) *Attorney, Agent, or Firm*—Banner & Witcoff, Ltd.

(57) **CLAIM**

The ornamental design for a handset, as shown and described.

DESCRIPTION

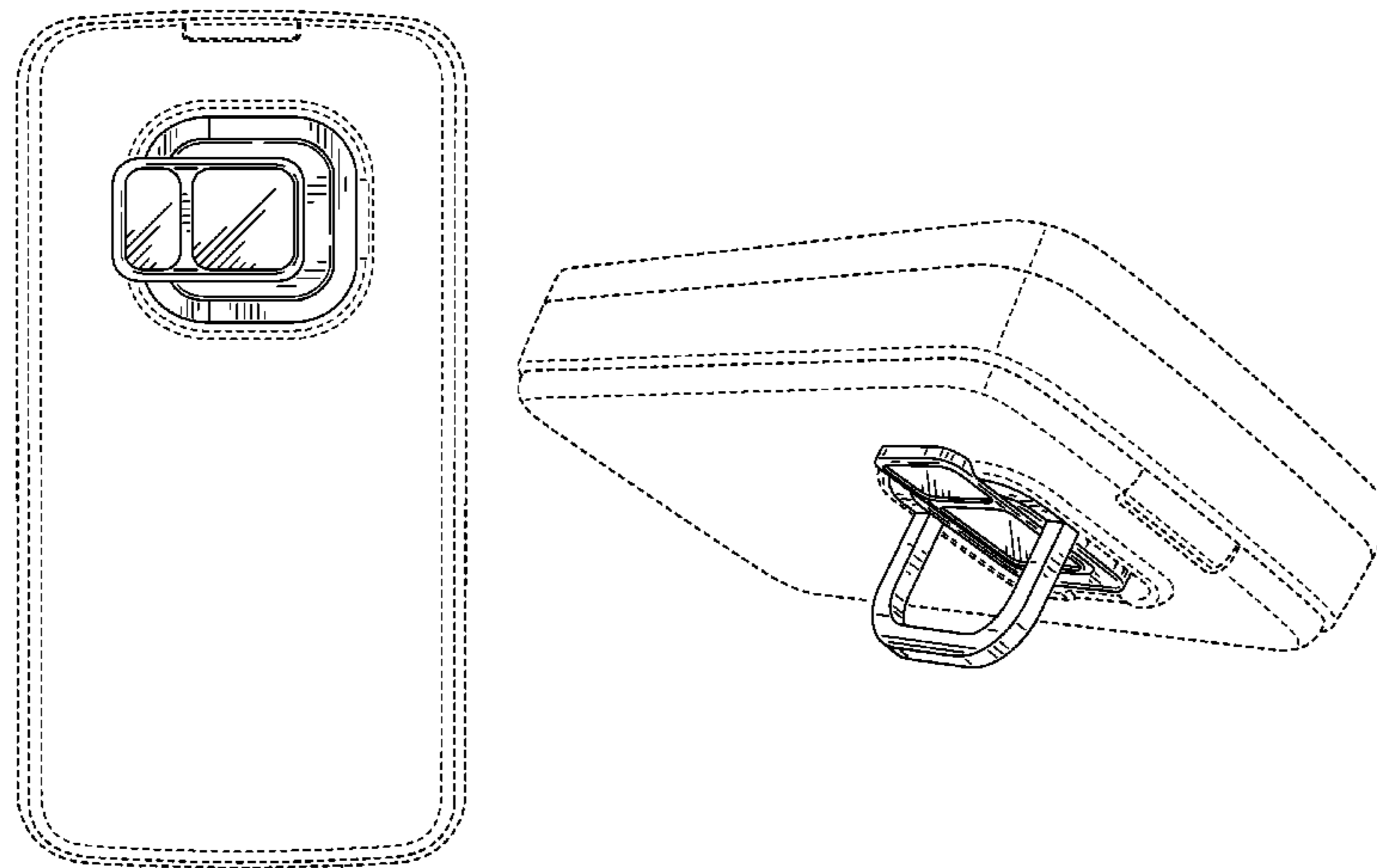
FIG. 1 is a perspective front view of a handset showing our new design;

FIG. 2 is a front view thereof; and,

FIG. 3 is a perspective front view of the handset with a movable support element in an alternative in-use position.

The broken line showing of the remainder of the handset is directed to environment, is for illustrative purposes only, and forms no part of the claimed design.

1 Claim, 3 Drawing Sheets



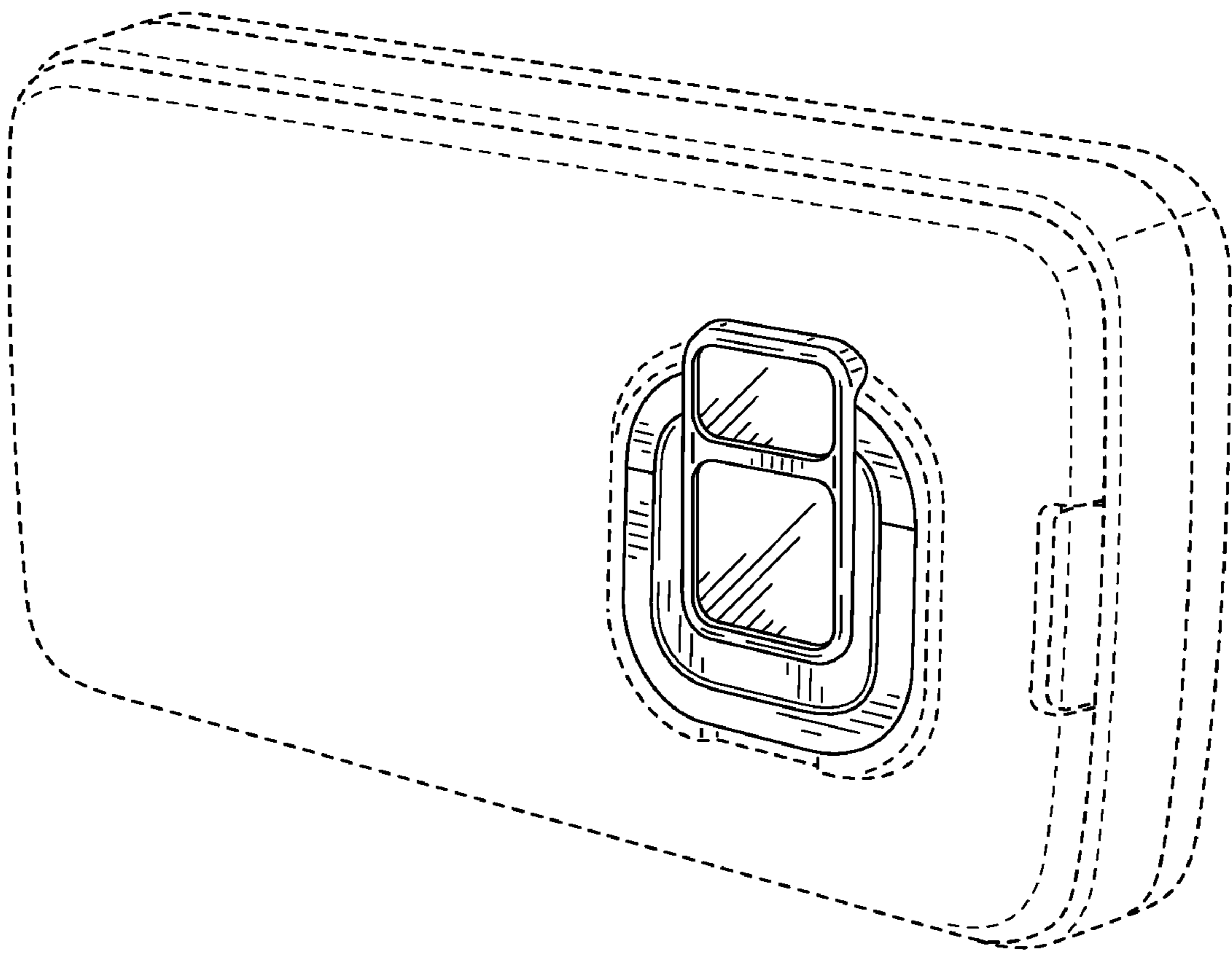


FIG. 1

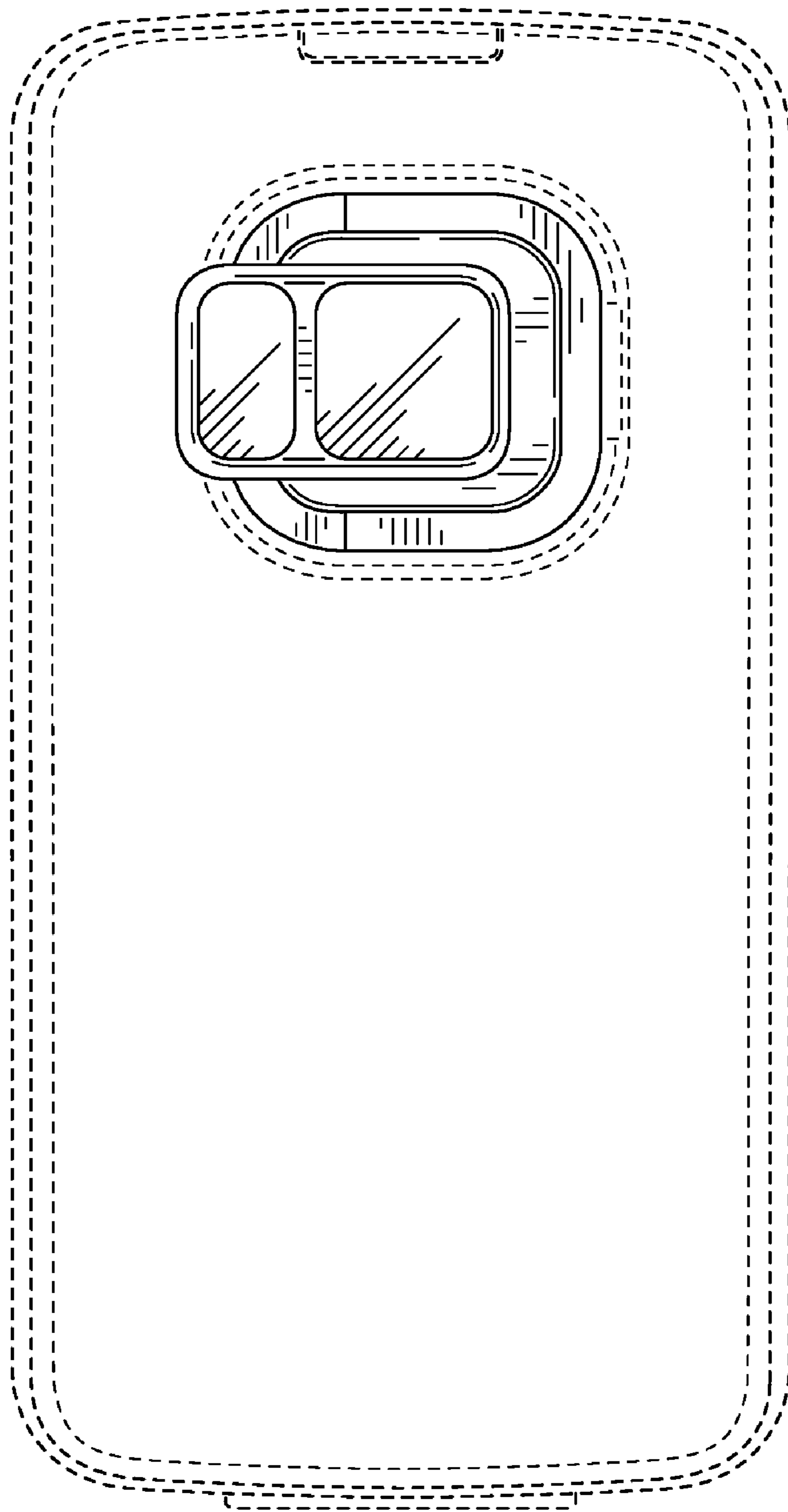


FIG. 2

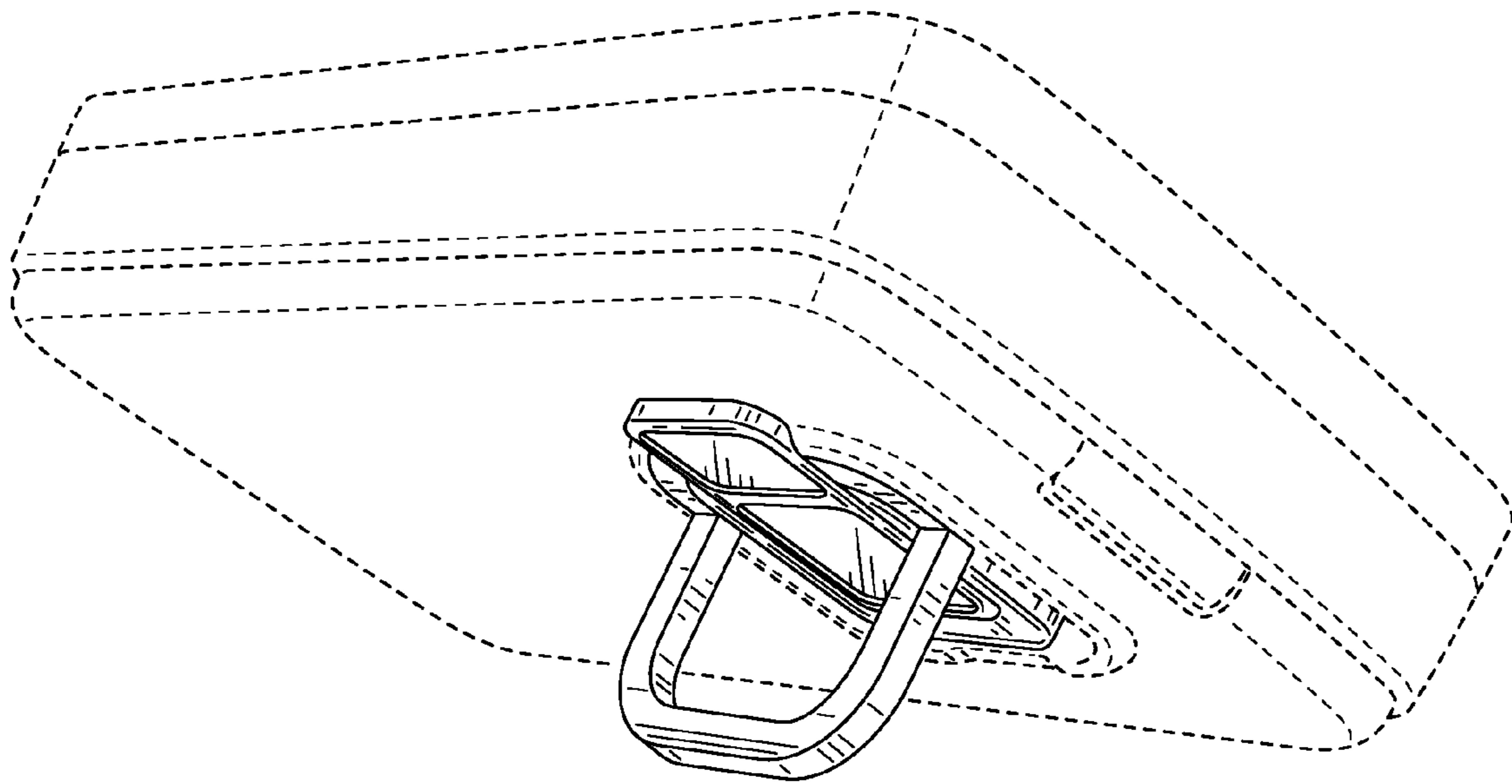


FIG. 3