



US00D590820S

(12) **United States Design Patent**
Schellen

(10) **Patent No.:** **US D590,820 S**
(45) **Date of Patent:** **** Apr. 21, 2009**

(54) **SET OF KEYS FOR A HANDSET**

(75) Inventor: **Joeske Schellen**, London (GB)

(73) Assignee: **Nokia Corporation**, Espoo (FI)

(**) Term: **14 Years**

(21) Appl. No.: **29/320,929**

(22) Filed: **Jul. 8, 2008**

(51) **LOC (9) Cl.** **14-03**

(52) **U.S. Cl.** **D14/247**

(58) **Field of Classification Search** D14/137,
D14/138 R, 138 AA, 138 AB, 138 AC, 138 AD,
D14/138 C, 138 G, 147, 191, 203.1–203.8,
D14/218, 247–248, 341–347, 432, 439, 455–456,
D14/496; D10/65, 78, 104; D13/168; D18/7;
455/556.1, 566, 575.1, 575.3; 345/169

See application file for complete search history.

(56) **References Cited**

U.S. PATENT DOCUMENTS

D466,889 S * 12/2002 Takada D14/247
D511,342 S * 11/2005 Chien D14/346
D515,528 S * 2/2006 Miyazawa et al. ... D14/138 AA
D524,280 S * 7/2006 Julian D14/147
D527,367 S * 8/2006 Yun et al. D14/138 AD
D530,295 S * 10/2006 Chung et al. D14/138 AD
D536,681 S * 2/2007 Surtouc D14/130
D545,814 S * 7/2007 Wilson et al. D14/248
D549,205 S * 8/2007 Cho D14/138 AD
D559,216 S * 1/2008 Sheu D14/138 AB
D564,492 S 3/2008 Lyles
D564,507 S * 3/2008 Sheu et al. D14/248
D565,042 S * 3/2008 Scales et al. D14/248
D570,340 S * 6/2008 Sheu et al. D14/247
D570,834 S * 6/2008 Cobb D14/248
D574,805 S 8/2008 Cobb
D576,135 S * 9/2008 Moss D14/138 AA
D576,144 S * 9/2008 Han et al. D14/138 AD
D576,990 S * 9/2008 Han et al. D14/138 AA
D577,349 S * 9/2008 Choi et al. D14/138 AD
D577,713 S * 9/2008 Kim et al. D14/218

D579,909 S * 11/2008 Huang et al. D14/138 AA
D580,430 S * 11/2008 Wei D14/341
D581,406 S * 11/2008 Stillerman D14/247
2007/0293273 A1 * 12/2007 Rochford 455/566
2008/0057960 A1 * 3/2008 Lahtiranta et al. 455/435.2
2008/0119248 A1 * 5/2008 Nissen et al. 455/575.4
2008/0280640 A1 * 11/2008 Wedel et al. 455/556.1

FOREIGN PATENT DOCUMENTS

WO DM/068503 * 1/2007
WO DM/068670 * 2/2007

OTHER PUBLICATIONS

Motorola RIZR Z10, announced Sep. 2007, [online], [retrieved on Dec. 13, 2007]. Retrieved from Internet ,<URL: <http://www.gsmarena.com>>.*

Nokia N79, announced Aug. 2008, [online], [retrieved on Jan. 9, 2009]. Retrieved from Internet ,<URL: <http://www.gsmarena.com>>.*

* cited by examiner

Primary Examiner—Jeffrey D Asch

Assistant Examiner—Bridget L Eland

(74) *Attorney, Agent, or Firm*—Banner & Witcoff, Ltd.

(57) **CLAIM**

The ornamental design for a set of keys for a handset, as shown and described.

DESCRIPTION

FIG. 1 is a perspective front view of a first set of keys for a handset showing my new design;

FIG. 2 is a front view thereof;

FIG. 3 is a right side view thereof;

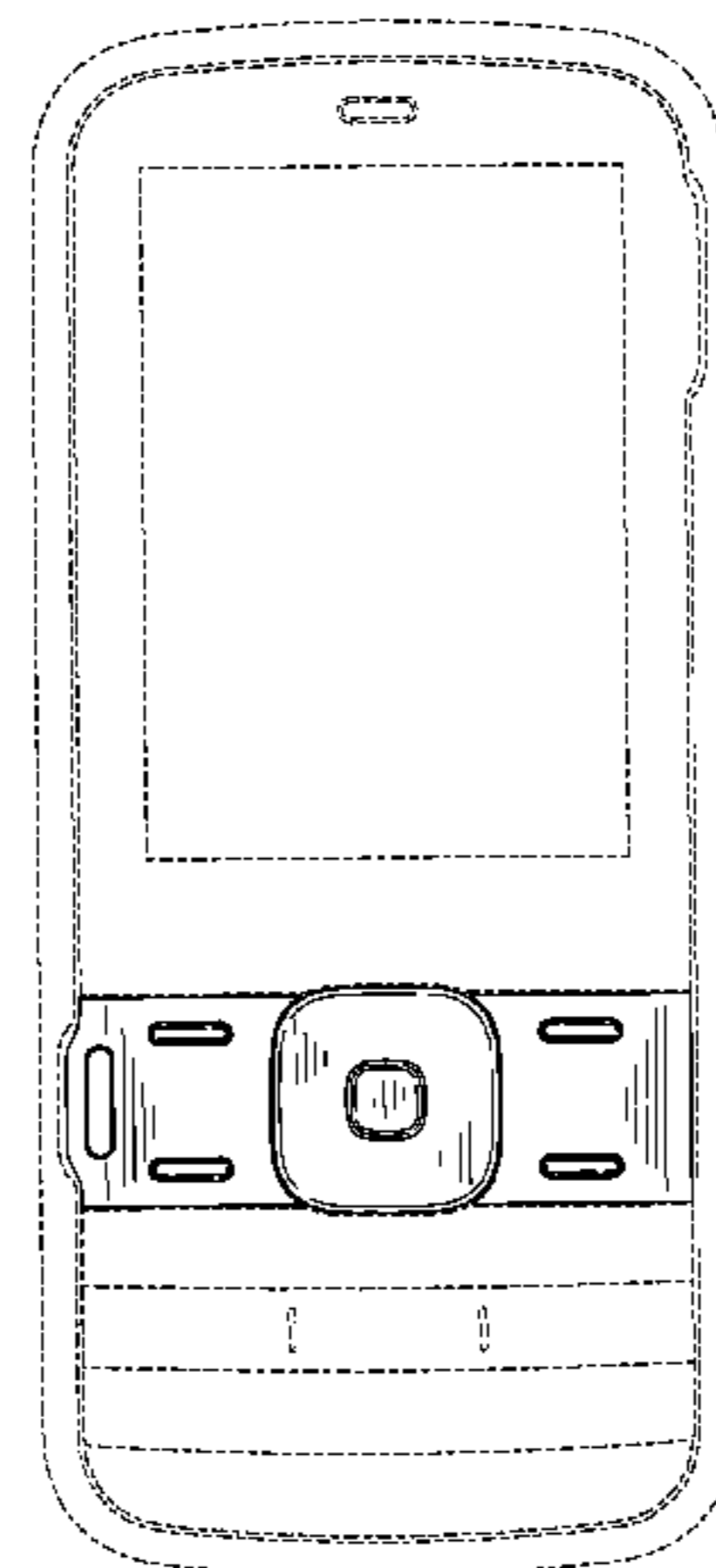
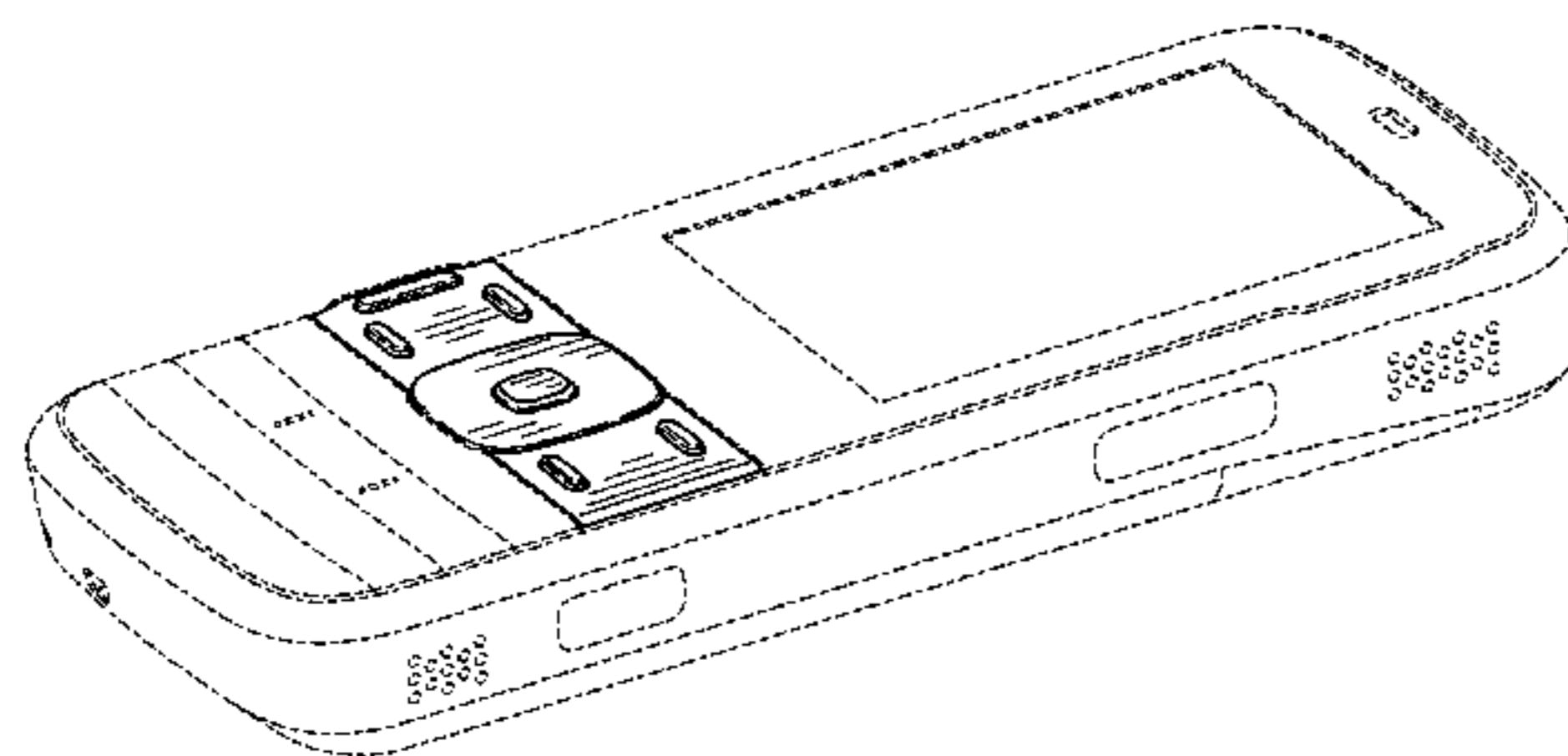
FIG. 4 is a left side view thereof;

FIG. 5 is a top view thereof; and,

FIG. 6 is a bottom view thereof.

The broken line showing of the remainder of the handset is directed to environment and is for illustrative purposes only; the broken lines form no part of the claimed design.

1 Claim, 4 Drawing Sheets



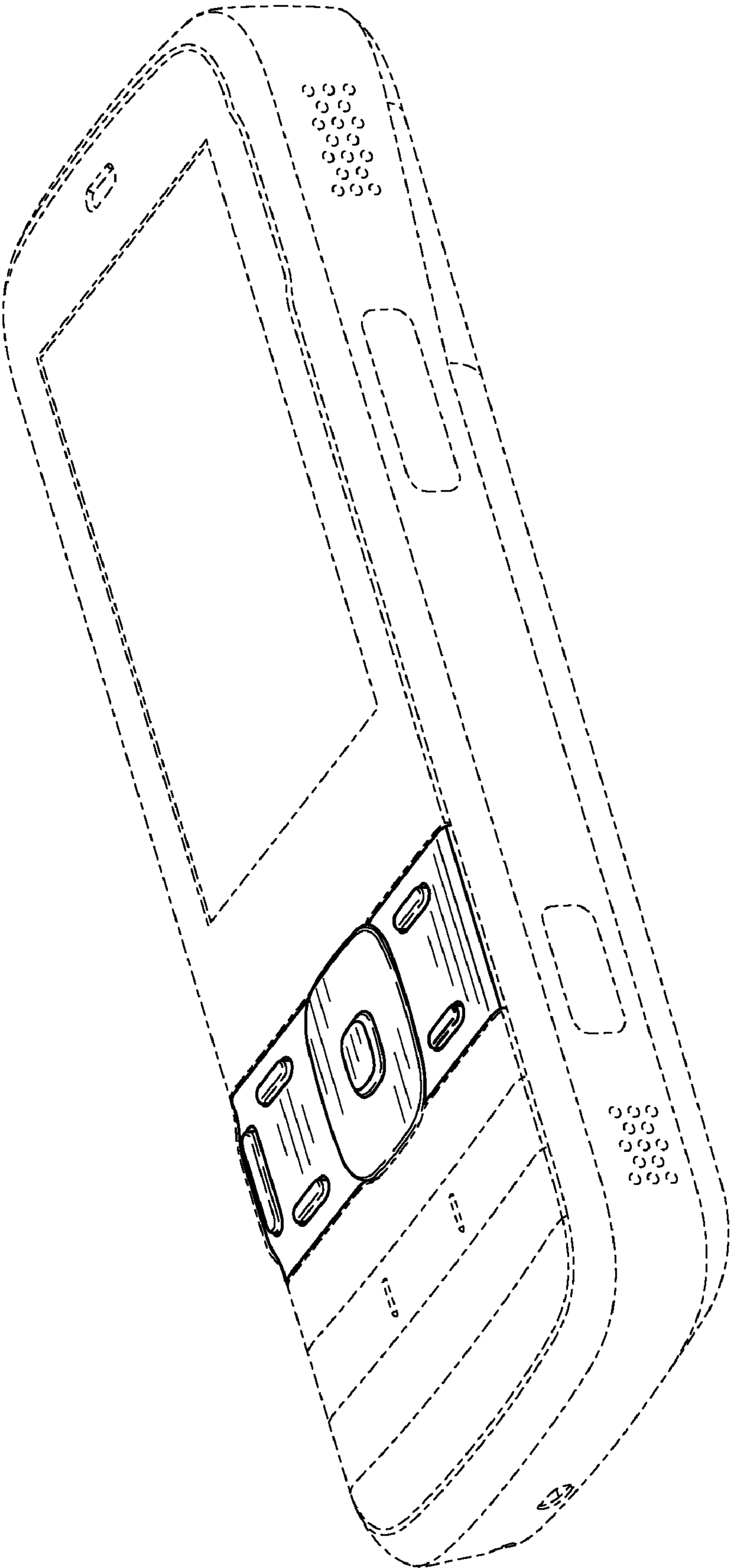


FIG. 1

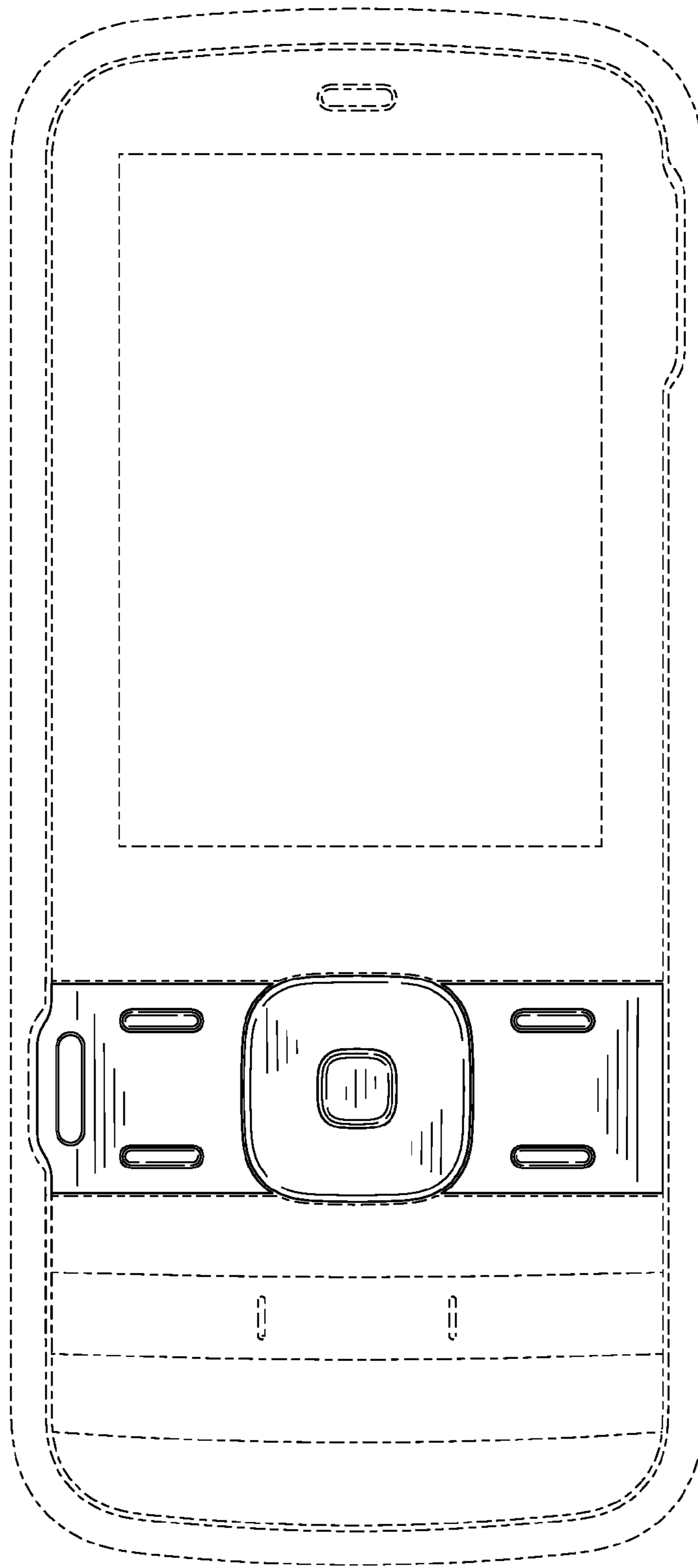


FIG. 2

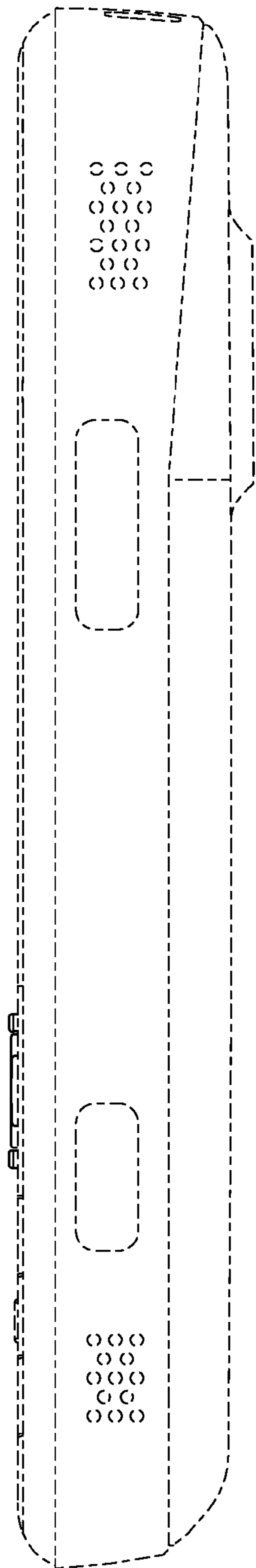


FIG. 3



FIG. 4

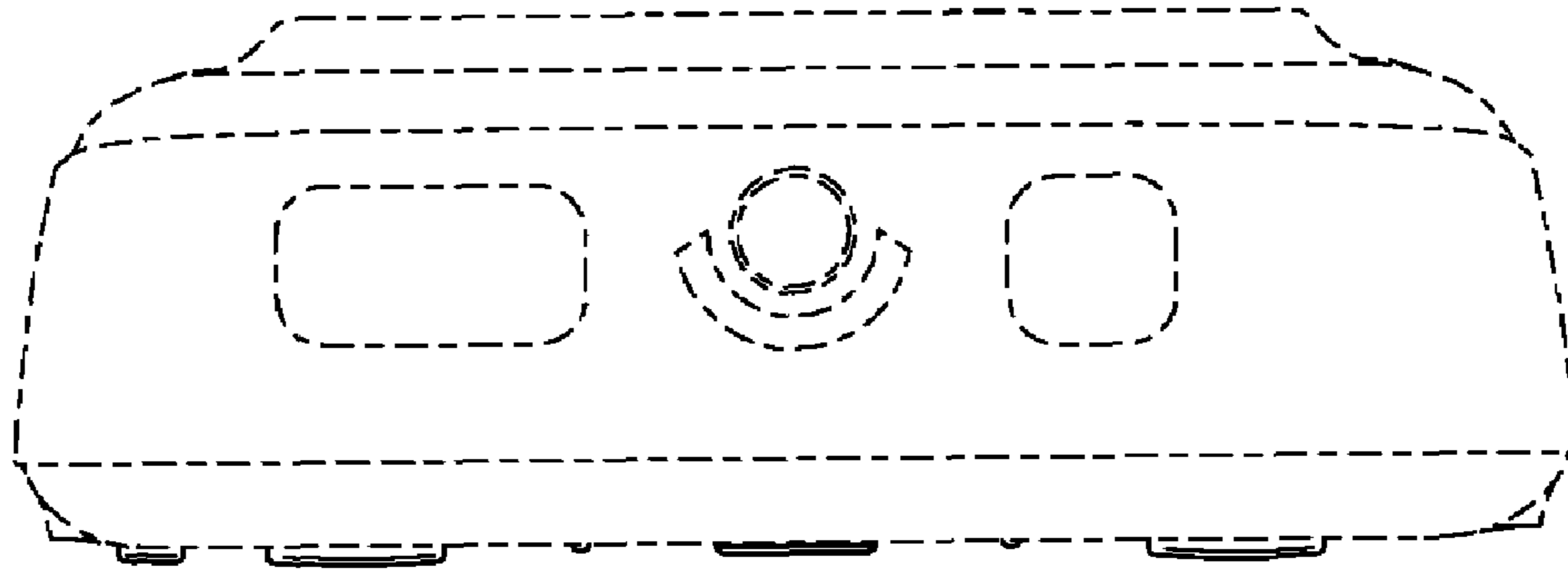


FIG. 5

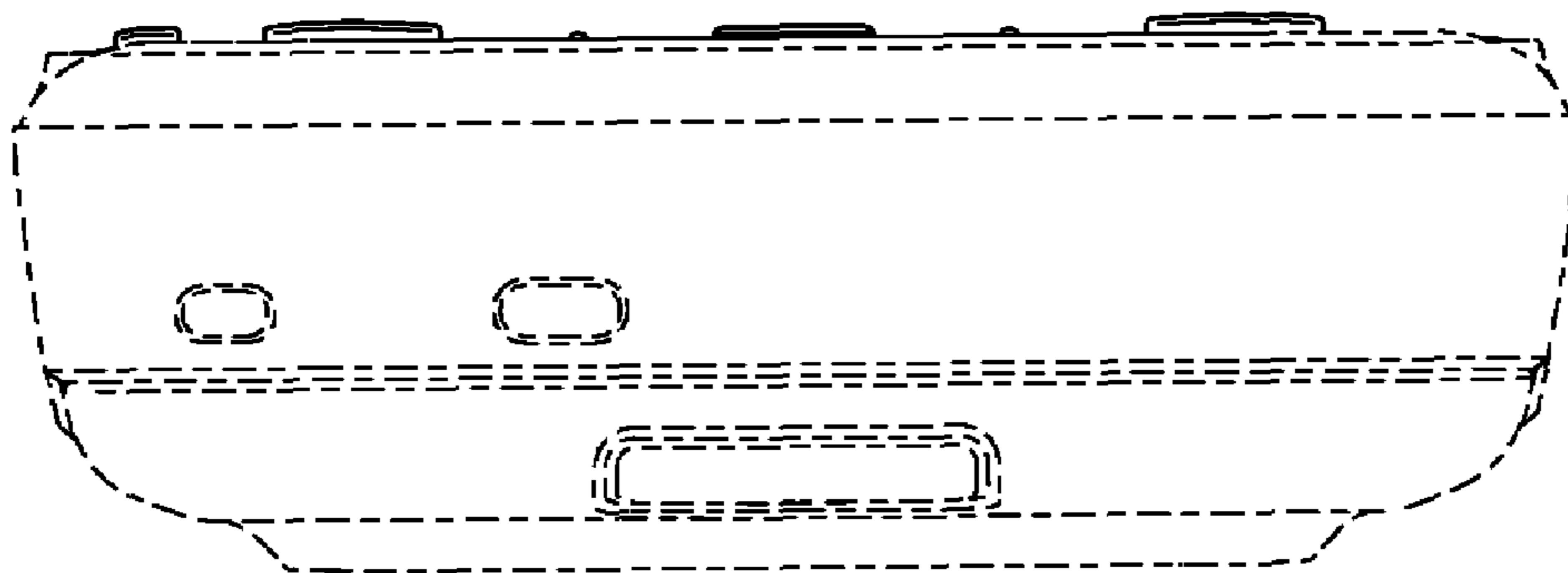


FIG. 6