



US00D590816S

(12) **United States Design Patent**  
**Chao**

(10) **Patent No.:** **US D590,816 S**

(45) **Date of Patent:** **\*\* Apr. 21, 2009**

(54) **DIRECTIONAL TV ANTENNA**

(76) Inventor: **Albert Chao**, 22 Glenwood Dr., Saddle River, NJ (US) 07458

(\*\*) Term: **14 Years**

(21) Appl. No.: **29/324,033**

(22) Filed: **Sep. 4, 2008**

(51) **LOC (9) Cl.** ..... **14-03**

(52) **U.S. Cl.** ..... **D14/230; D14/235; D14/237**

(58) **Field of Classification Search** ..... D14/230-238,  
D14/299; 343/700 R, 840, 841, 908; 455/3.02,  
455/FOR. 215, 575.2

See application file for complete search history.

(56) **References Cited**

**U.S. PATENT DOCUMENTS**

|              |         |                   |       |         |
|--------------|---------|-------------------|-------|---------|
| D175,628 S * | 9/1955  | Middlemark        | ..... | D14/235 |
| D176,368 S * | 12/1955 | Middlemark        | ..... | D14/235 |
| D229,832 S * | 1/1974  | Finkel            | ..... | D14/230 |
| D364,874 S * | 12/1995 | Cheng             | ..... | D14/235 |
| D427,997 S * | 7/2000  | Inoue             | ..... | D14/235 |
| D468,302 S * | 1/2003  | Sato              | ..... | D14/235 |
| D517,535 S * | 3/2006  | Wu                | ..... | D14/230 |
| D520,990 S * | 5/2006  | Kowalewicz et al. | ..... | D14/230 |
| D533,545 S * | 12/2006 | Inoue             | ..... | D14/230 |
| D535,983 S * | 1/2007  | Krieger et al.    | ..... | D14/230 |

D548,730 S \* 8/2007 Inoue ..... D14/230  
2006/0125711 A1 \* 6/2006 Wang ..... 343/882

\* cited by examiner

*Primary Examiner*—T. Chase Nelson

*Assistant Examiner*—John Windmuller

(74) *Attorney, Agent, or Firm*—Notaro & Michalos P.C.

(57) **CLAIM**

The ornamental design for a directional TV antenna, as shown and described.

**DESCRIPTION**

FIG. 1 is a top front left perspective view of directional TV antenna showing my new design therefore;

FIG. 2 is a top rear left perspective view thereof;

FIG. 3 is a left side elevational view thereof the right side being identical;

FIG. 4 is a top plan view thereof;

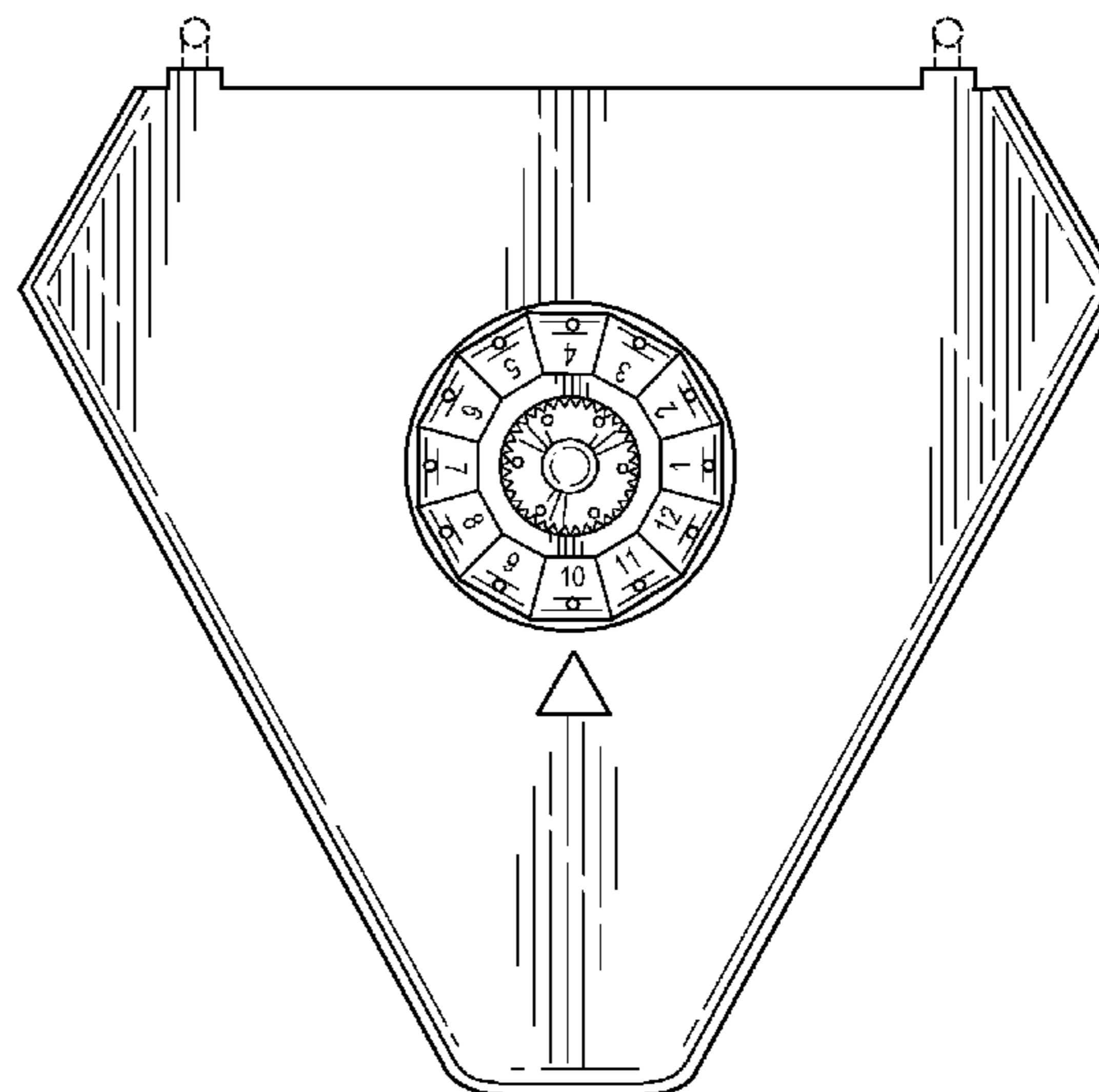
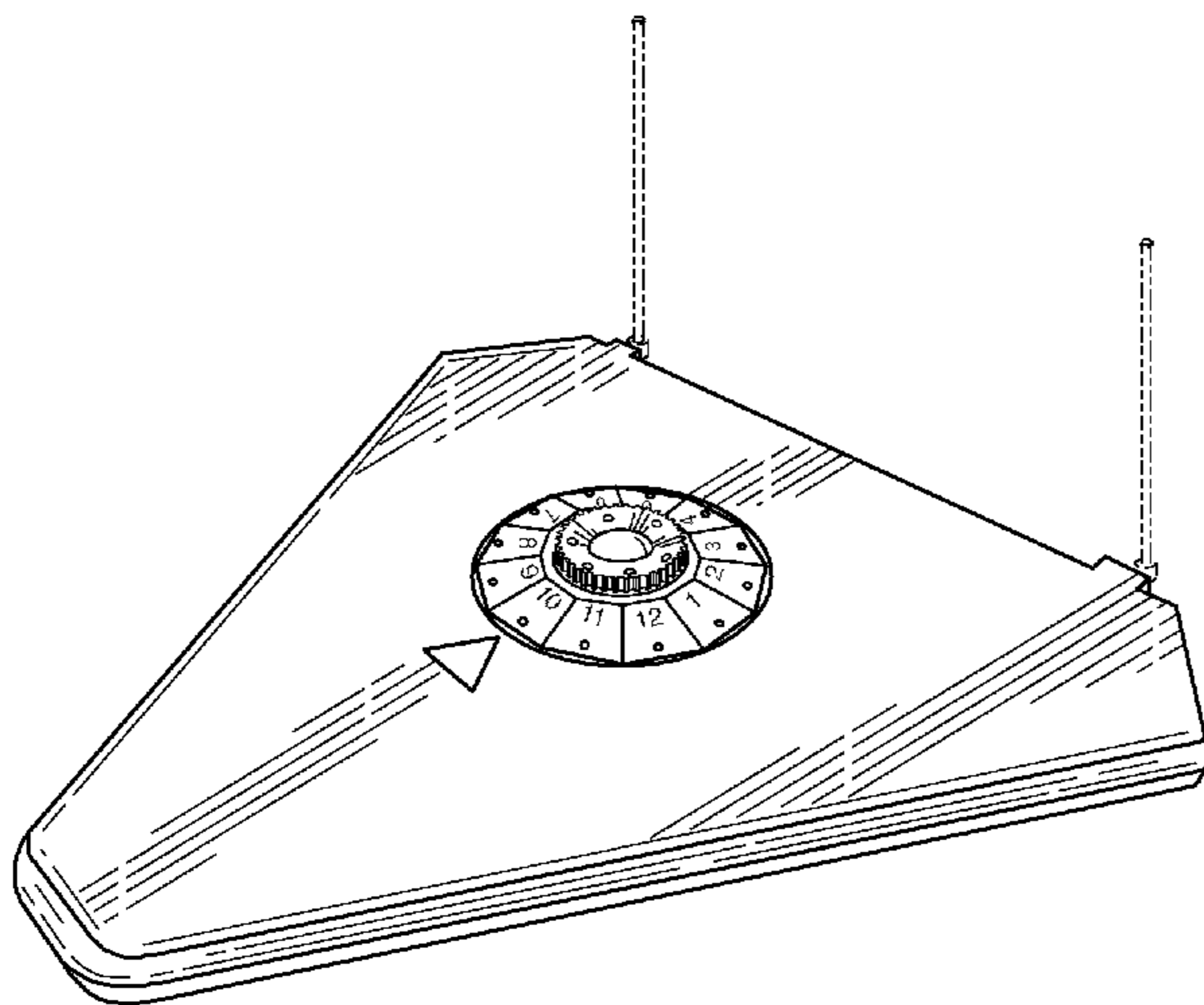
FIG. 5 is a bottom plan view thereof; and

FIG. 6 is a front elevational view thereof; and,

FIG. 7 is a rear elevational view thereof.

The broken lines illustrate environment only and form no part of the claimed design.

**1 Claim, 6 Drawing Sheets**



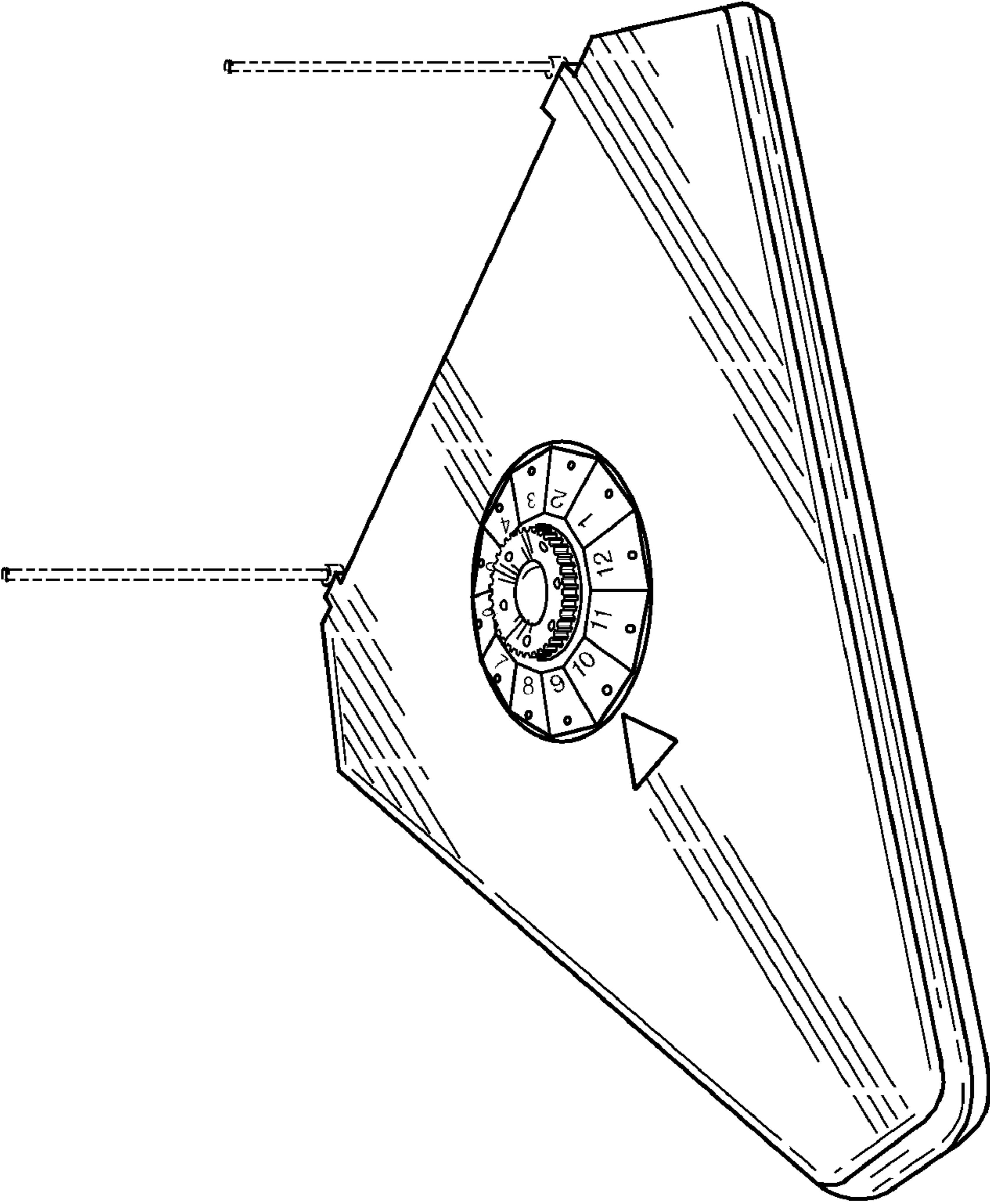


FIG. 1

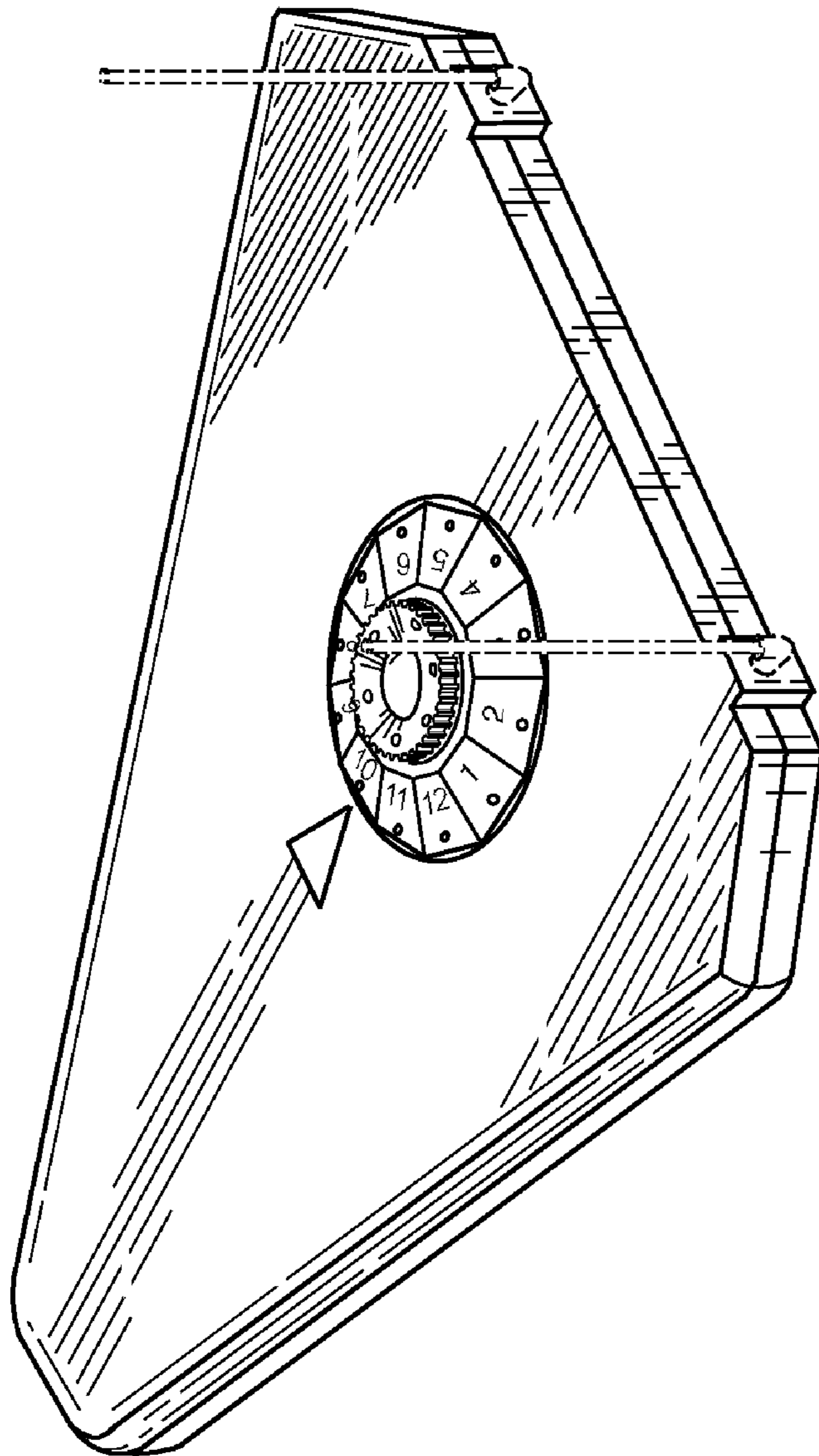


FIG. 2

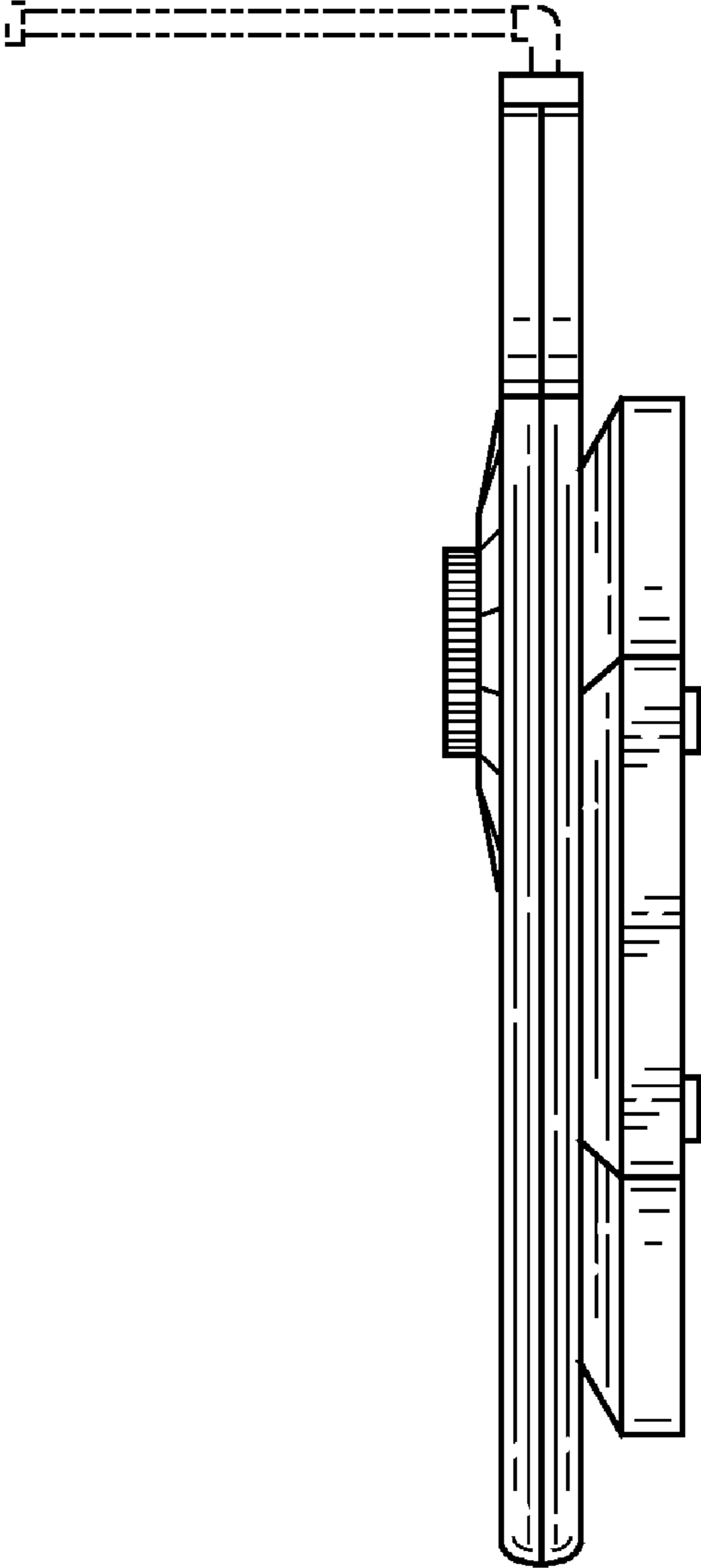


FIG. 3

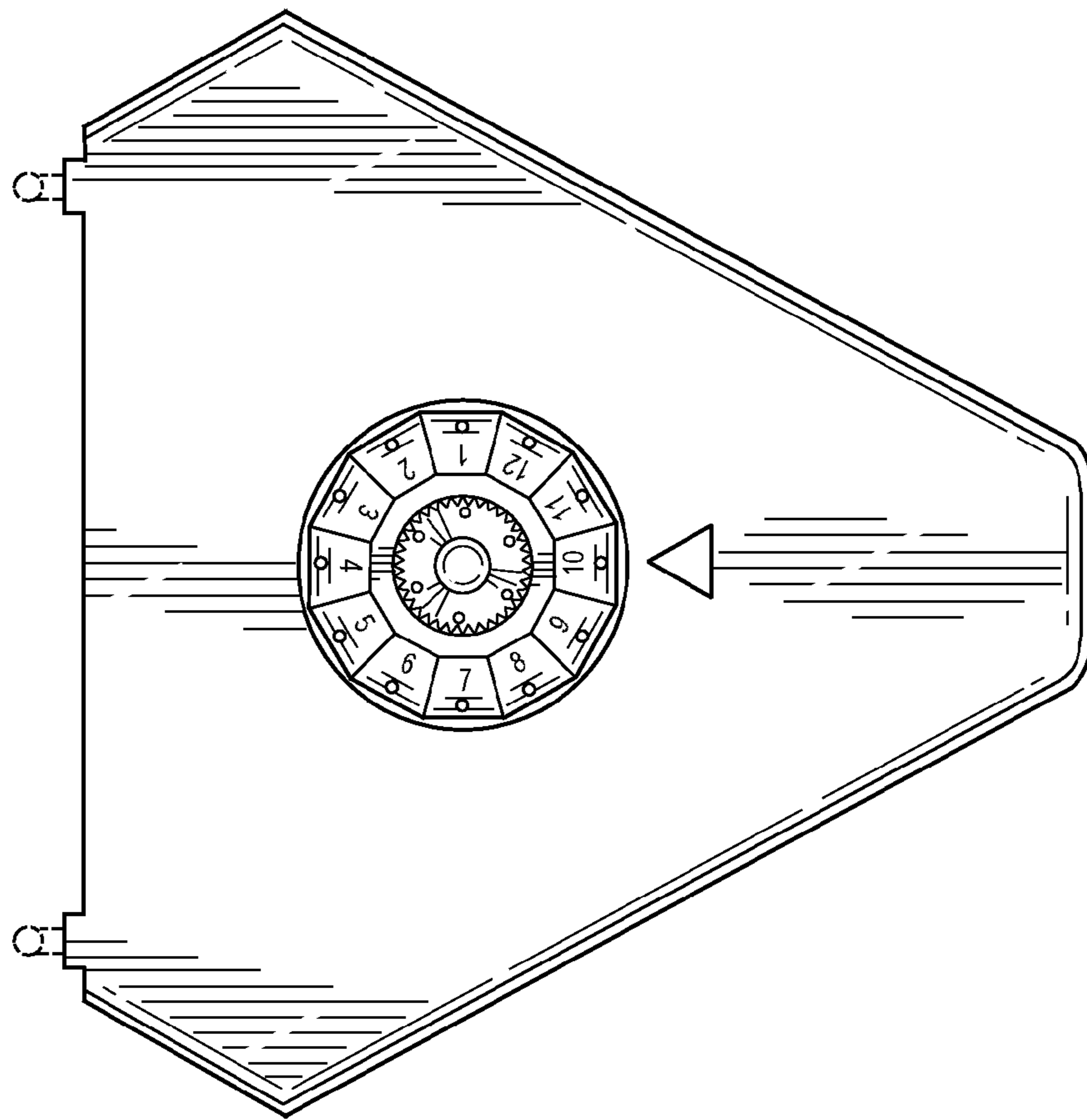


FIG. 4

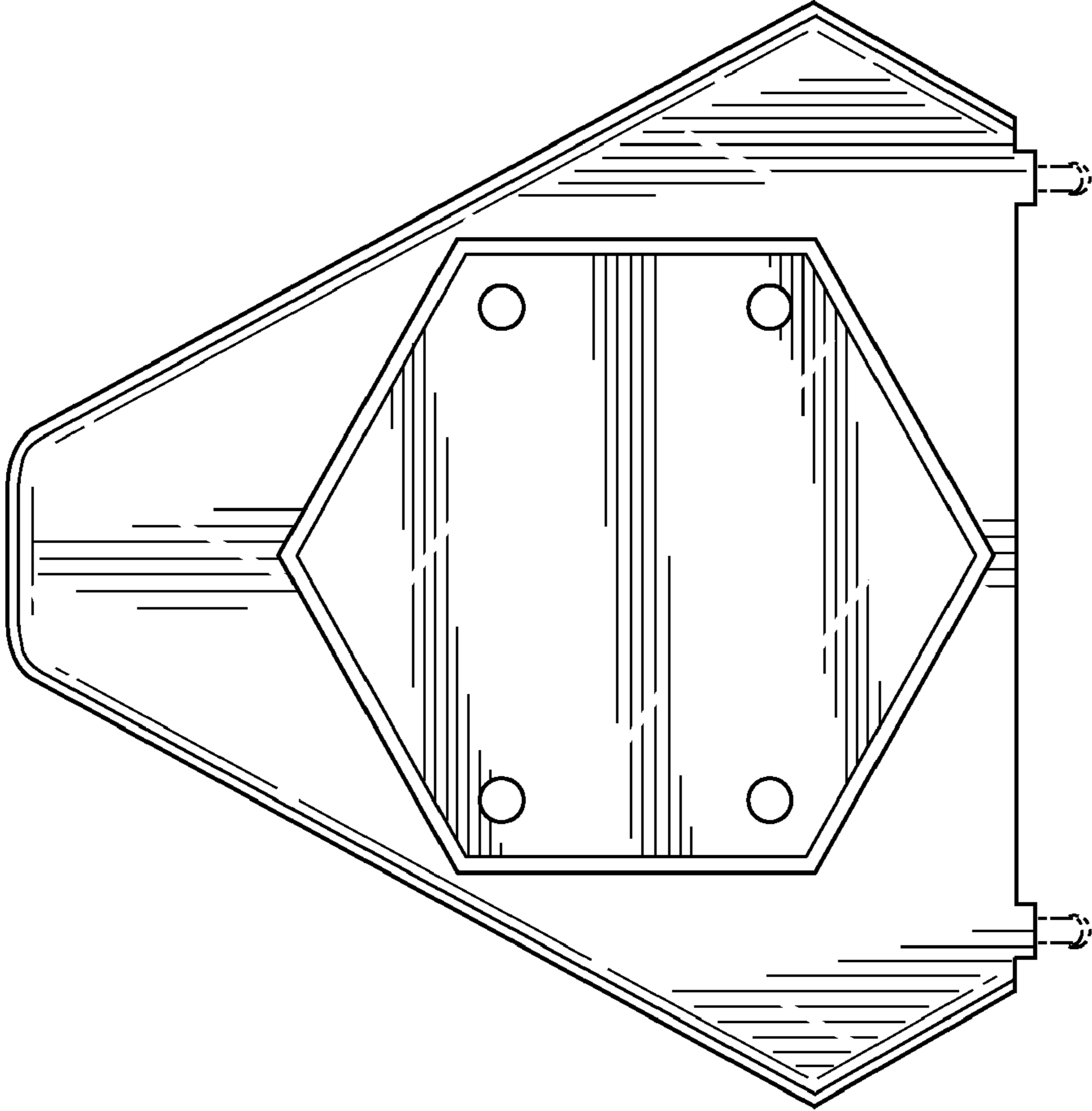


FIG. 5

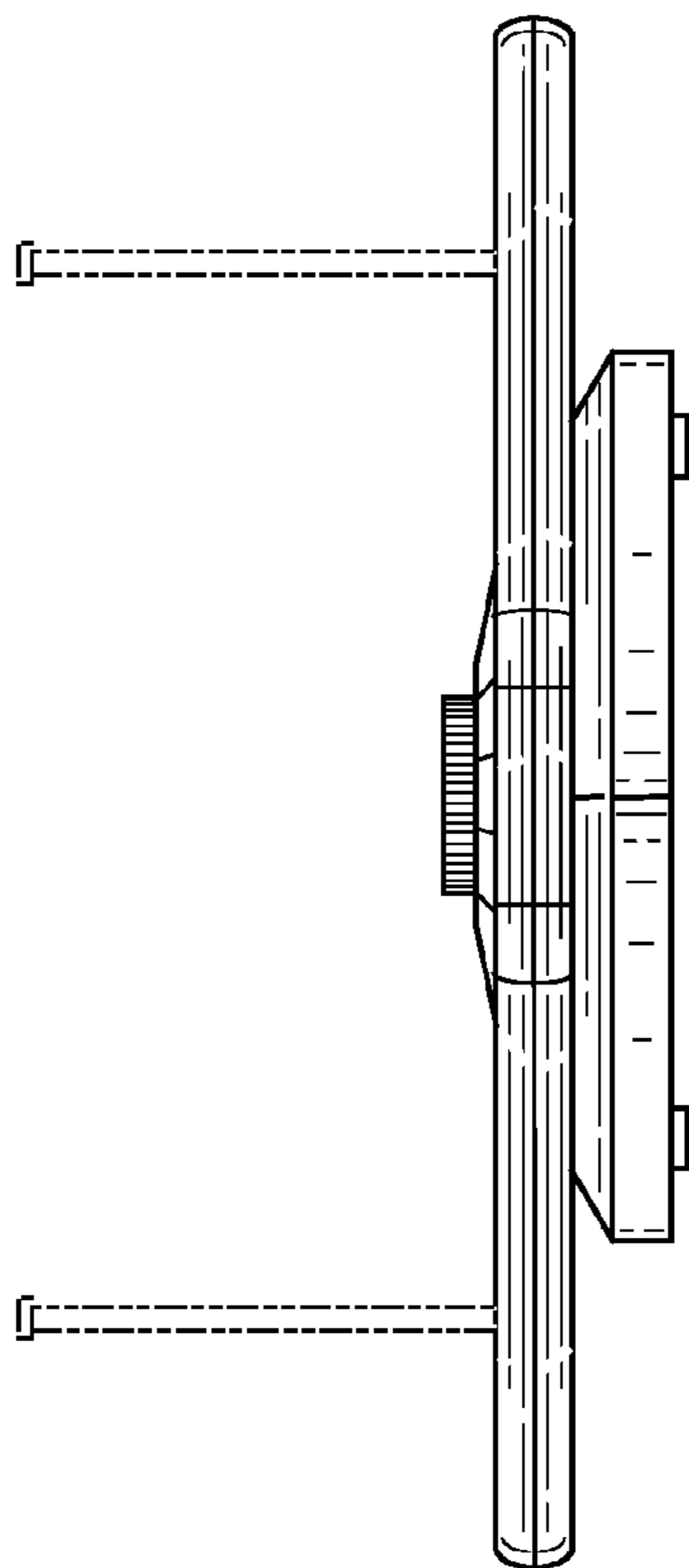


FIG. 6

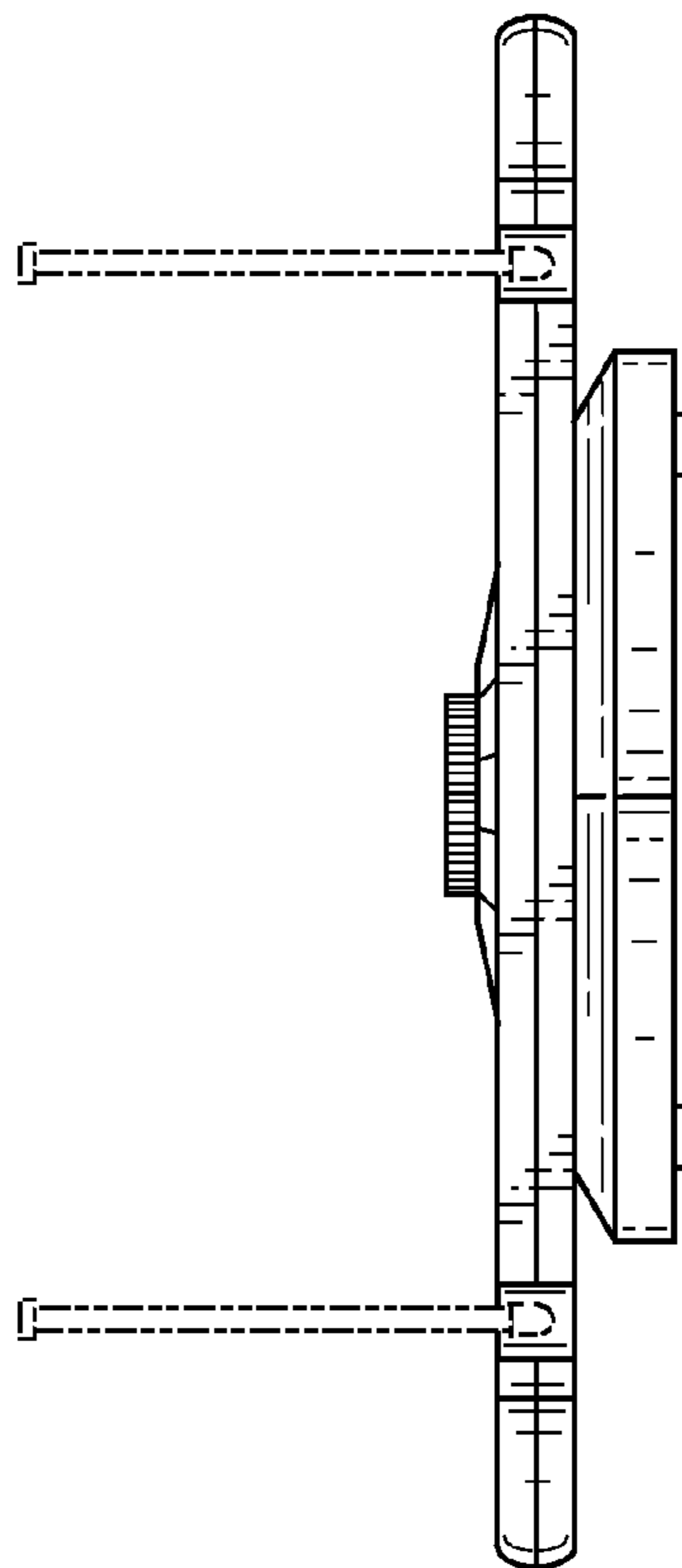


FIG. 7