



US00D590814S

(12) **United States Design Patent**
Bradford

(10) **Patent No.:** **US D590,814 S**

(45) **Date of Patent:** **** Apr. 21, 2009**

(54) **HEADSET**

(75) Inventor: **Simon Bradford**, Espoo (FI)

(73) Assignee: **Nokia Corporation**, Espoo (FI)

(**) Term: **14 Years**

(21) Appl. No.: **29/305,110**

(22) Filed: **Mar. 13, 2008**

(51) **LOC (9) Cl.** **14-01**

(52) **U.S. Cl.** **D14/223**

(58) **Field of Classification Search** D14/142,
D14/192, 188, 205, 206, 223; 181/128, 129,
181/130; 381/380, 381, 370, 375, 151, 324;
379/420.01-420.04, 430, 433; 455/575.2,
455/569.1

See application file for complete search history.

(56) **References Cited**

U.S. PATENT DOCUMENTS

D474,178 S	5/2003	Eroma	
D479,834 S	9/2003	Salazar et al.	
D504,884 S	5/2005	Hering	
D511,156 S	11/2005	Eroma et al.	
D517,054 S *	3/2006	Yang	D14/223
D536,694 S	2/2007	Eroma et al.	
D542,267 S *	5/2007	Cha et al.	D14/206
D543,539 S	5/2007	Sade et al.	
D552,602 S	10/2007	Sade et al.	
D553,613 S *	10/2007	Sade et al.	D14/223
D554,626 S *	11/2007	Christopher et al.	D14/223
D555,150 S *	11/2007	Christopher et al.	D14/223

D561,179 S *	2/2008	Sade et al.	D14/223
D564,500 S *	3/2008	Wang	D14/223
D566,103 S	4/2008	Sade et al.	
D566,105 S *	4/2008	Yang et al.	D14/223
D566,108 S *	4/2008	Kan	D14/223
D566,692 S *	4/2008	Sade et al.	D14/223
D566,694 S *	4/2008	Kim et al.	D14/223
D569,842 S *	5/2008	Yang	D14/205
D574,366 S	8/2008	Sade et al.	
D574,367 S	8/2008	Jaakkola et al.	
D575,276 S *	8/2008	Bradford et al.	D14/223
D576,609 S *	9/2008	Bradford et al.	D14/223
D577,003 S *	9/2008	Yang et al.	D14/206
D578,516 S *	10/2008	Christopher	D14/223

* cited by examiner

Primary Examiner—Paula Greene

(74) *Attorney, Agent, or Firm*—Banner & Witcoff, Ltd.

(57) **CLAIM**

The ornamental design for a headset, as shown and described.

DESCRIPTION

FIG. 1 is a perspective front view image of a headset showing my new design;

FIG. 2 is a front view thereof;

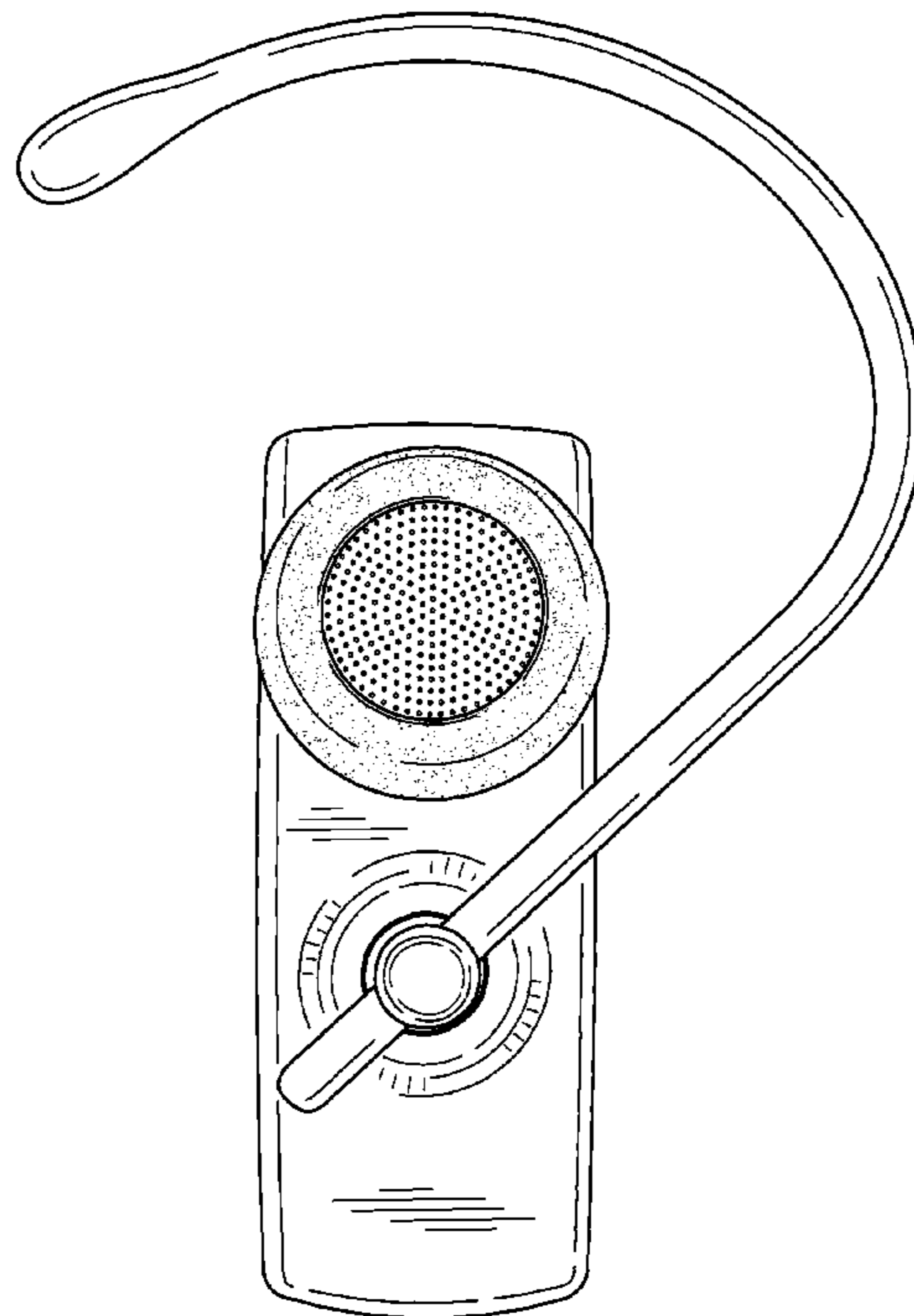
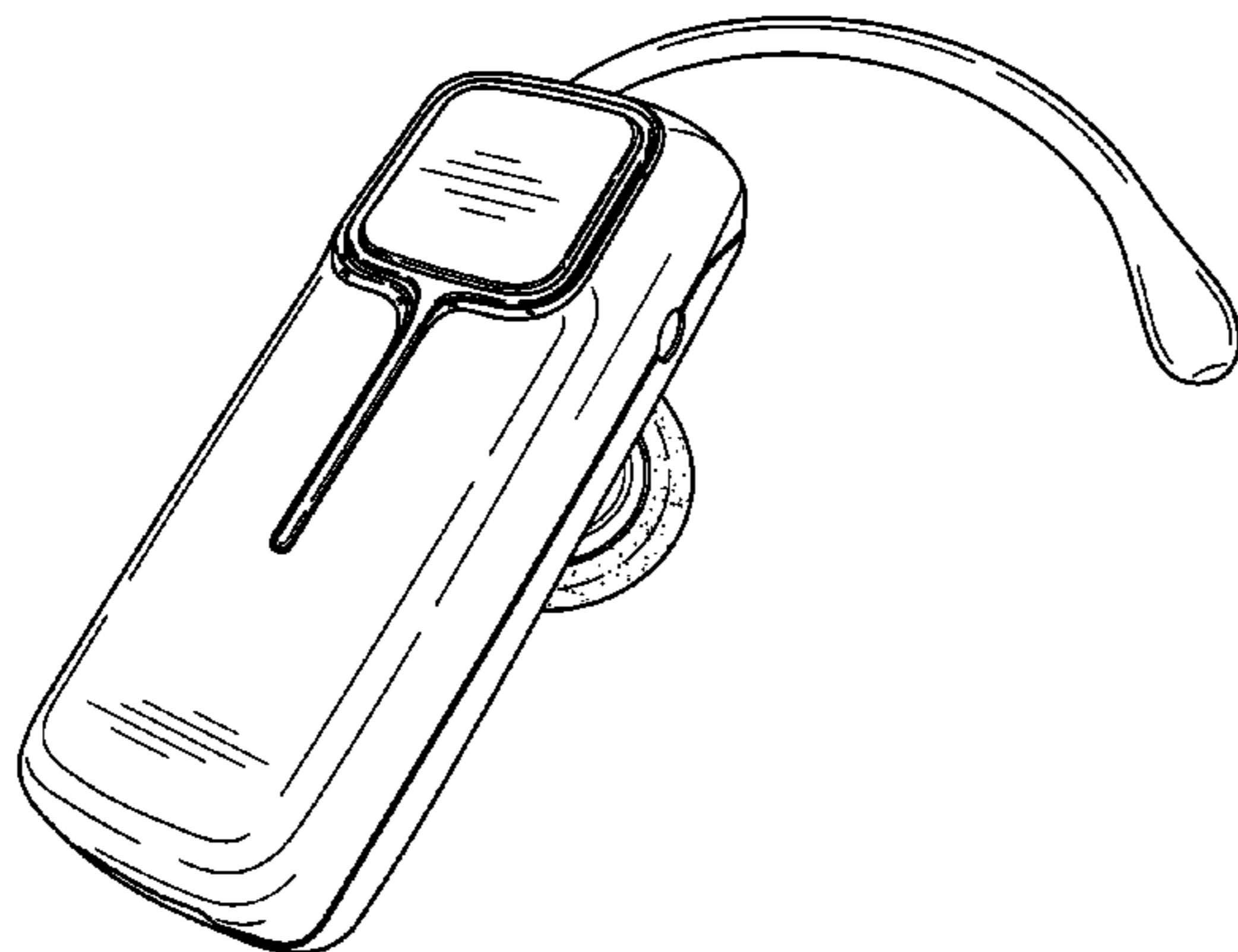
FIG. 3 is a rear view thereof;

FIG. 4 is a right side view thereof;

FIG. 5 is a top view thereof; and,

FIG. 6 is a bottom view thereof.

1 Claim, 6 Drawing Sheets



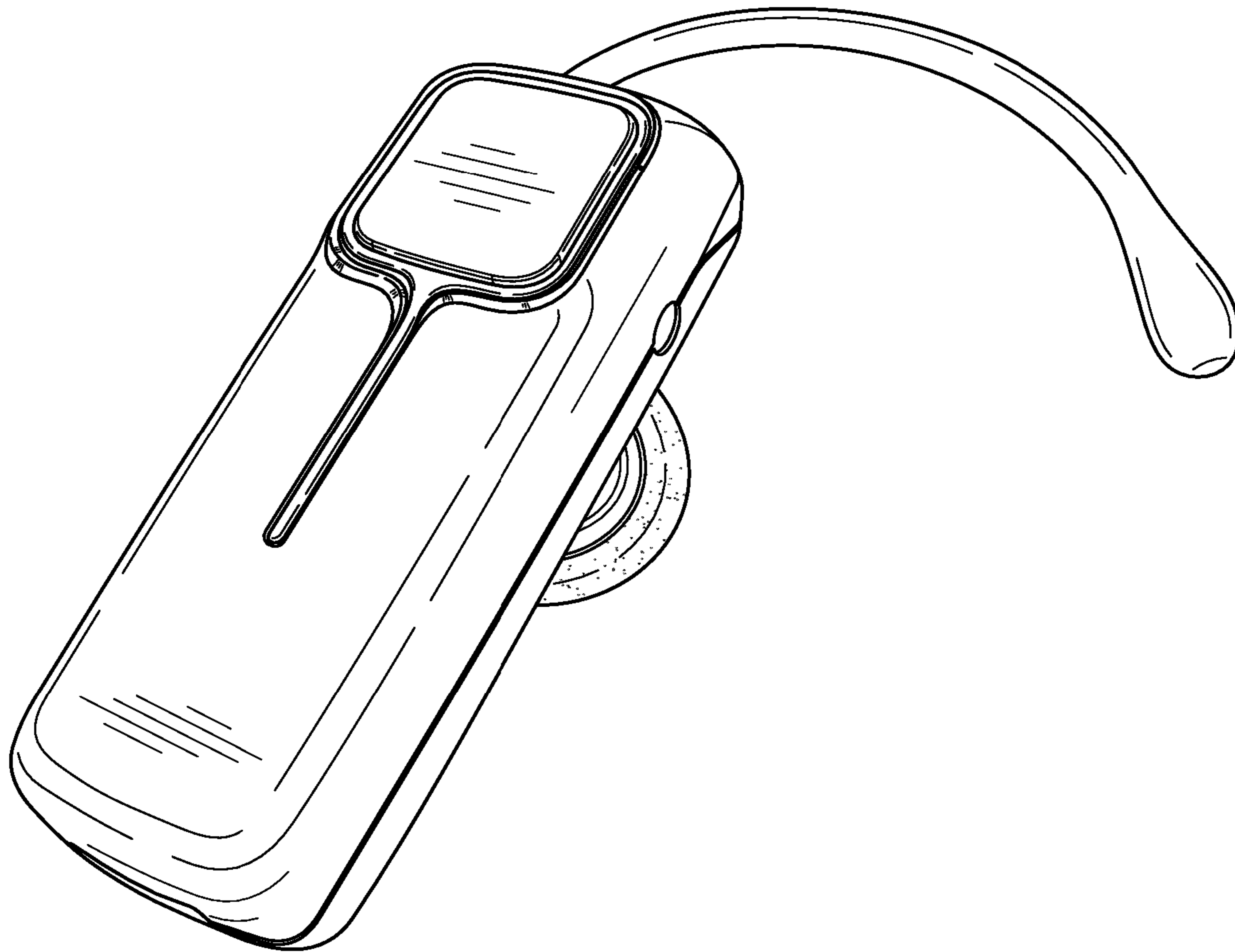


FIG. 1

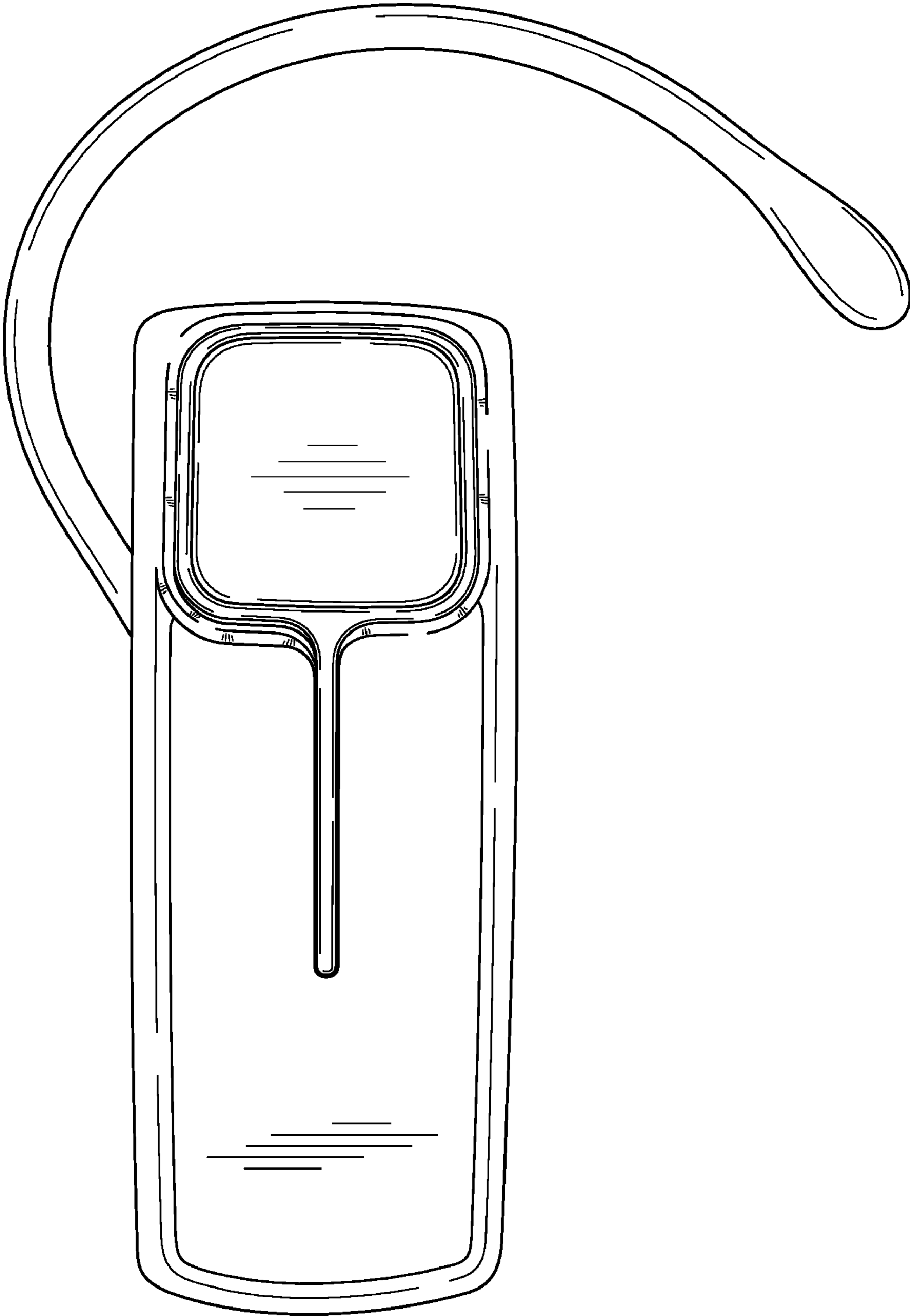


FIG. 2

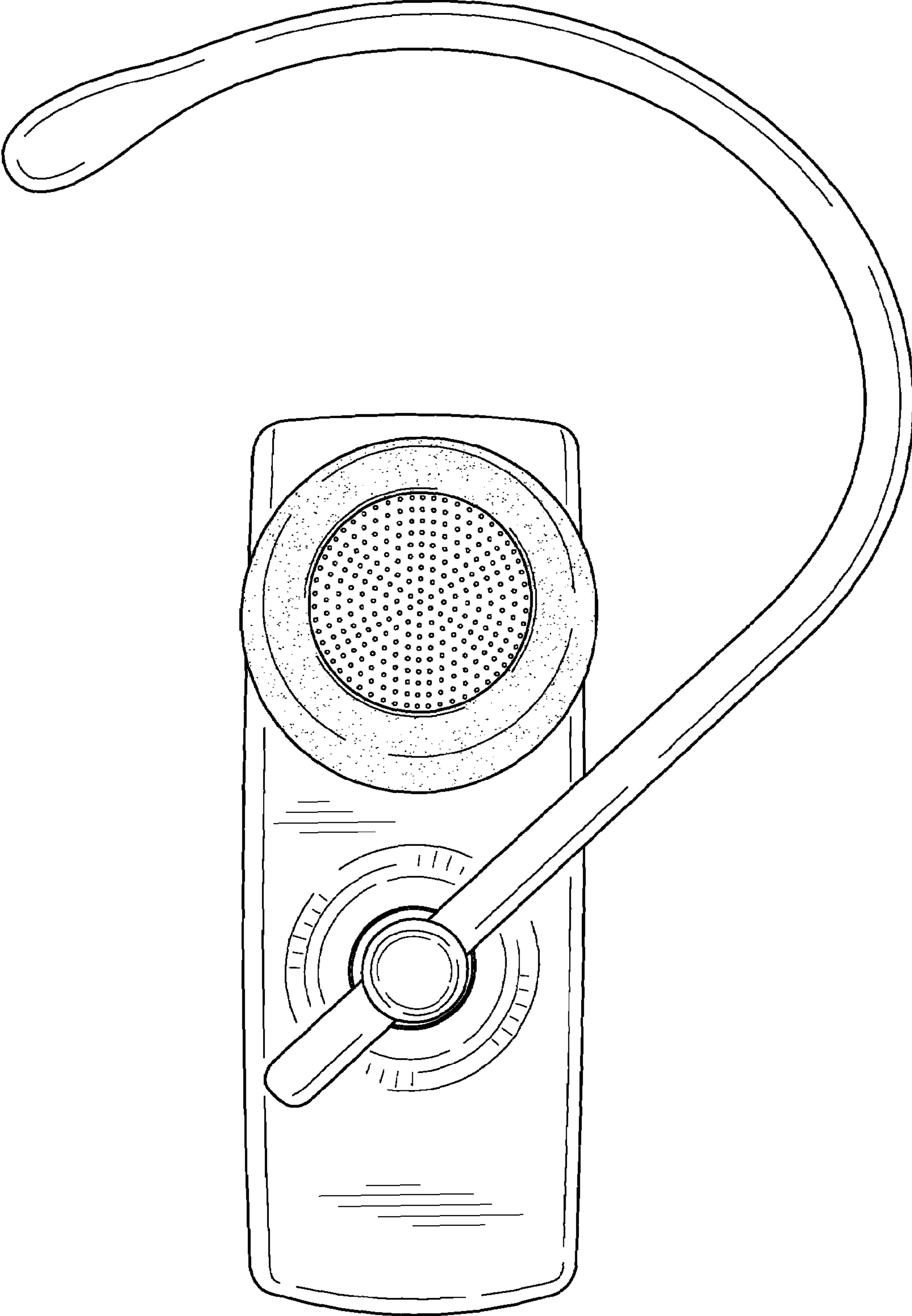


FIG. 3

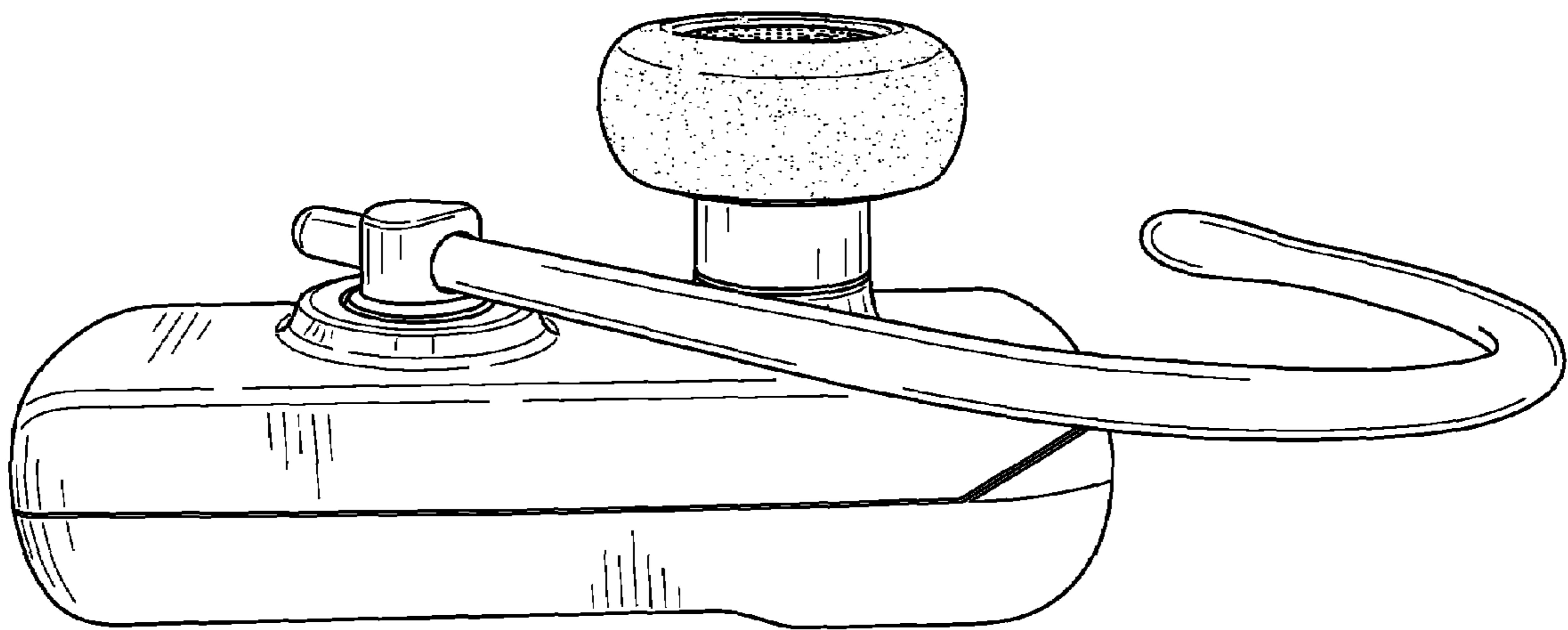


FIG. 4

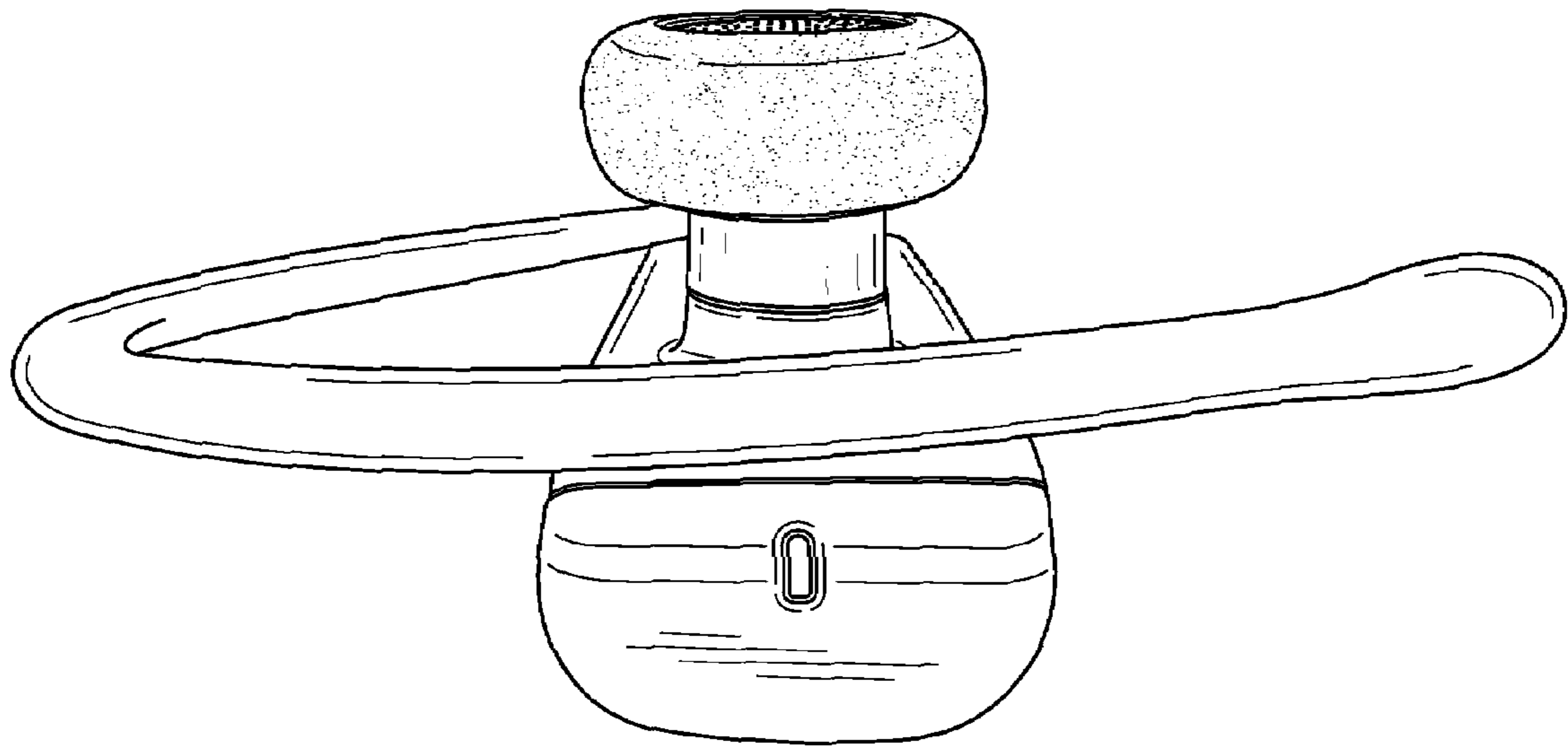


FIG. 5

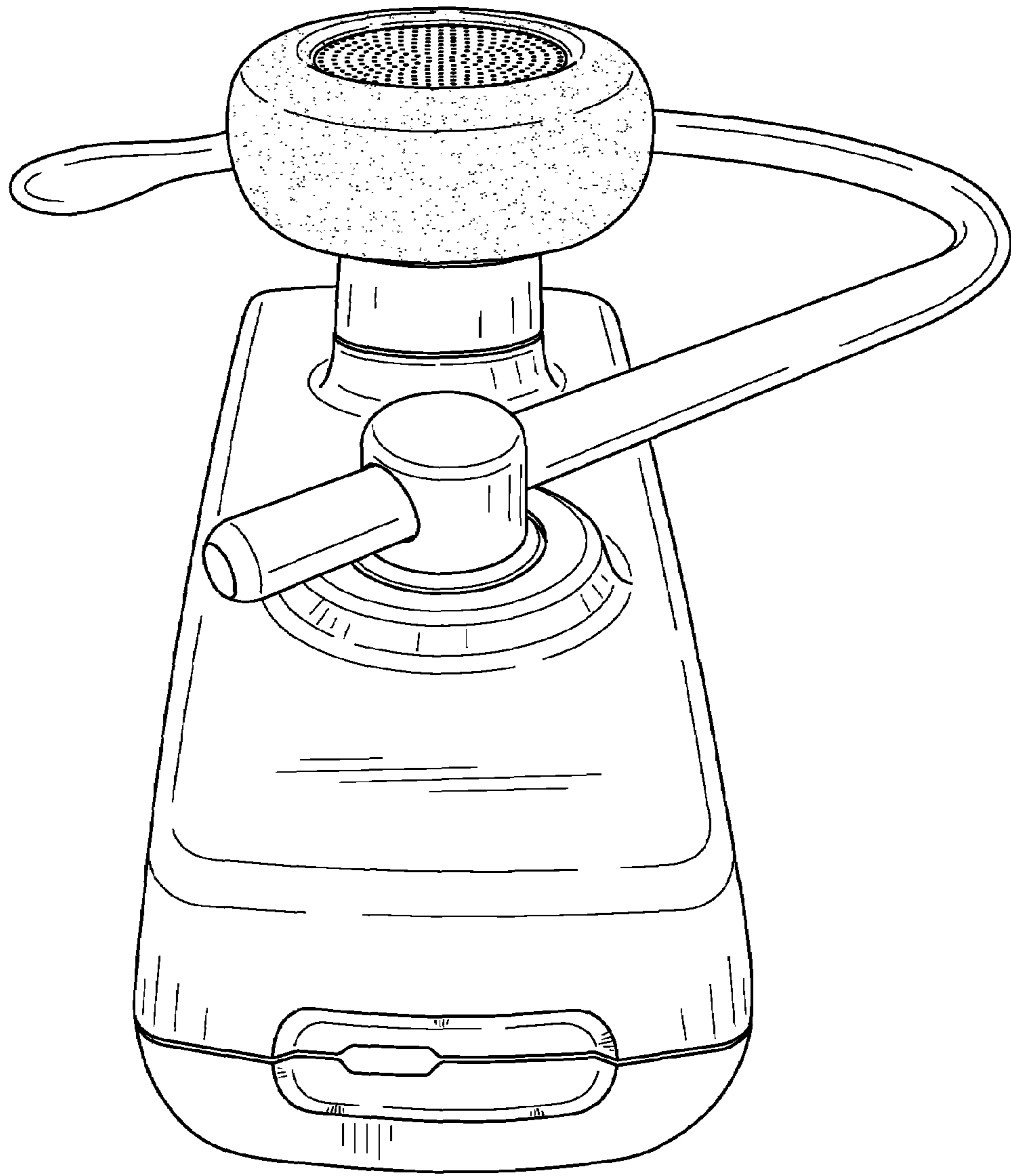


FIG. 6

UNITED STATES PATENT AND TRADEMARK OFFICE
CERTIFICATE OF CORRECTION

PATENT NO. : Des. 590,814 S
APPLICATION NO. : 29/305110
DATED : April 21, 2009
INVENTOR(S) : Simon Bradford

Page 1 of 1

It is certified that error appears in the above-identified patent and that said Letters Patent is hereby corrected as shown below:

On the cover page Item (30), the following has been added:

-- Foreign Application Priority Data --
-- Nov. 19, 2007 (EM) 000789557 --

Signed and Sealed this

Twenty-third Day of February, 2010



David J. Kappos
Director of the United States Patent and Trademark Office