



US00D590813S

(12) **United States Design Patent**
Bradford et al.

(10) **Patent No.:** **US D590,813 S**

(45) **Date of Patent:** **** Apr. 21, 2009**

(54) **HEADSET**

(75) Inventors: **Simon Bradford**, Espoo (FI); **Sami Lehtovaara**, Masku (FI)

(73) Assignee: **Nokia Corporation**, Espoo (FI)

(**) Term: **14 Years**

(21) Appl. No.: **29/298,922**

(22) Filed: **Dec. 14, 2007**

(51) **LOC (9) Cl.** **14-01**

(52) **U.S. Cl.** **D14/223; D14/205**

(58) **Field of Classification Search** D14/205,
D14/206, 223; 181/129-130; 381/380, 381,
381/379, 377, 376, 374, 370; 379/430, 433.01,
379/433.02, 433.03, 433.04, 433.11; 455/575.1,
455/575.2, 351; D24/173, 174
See application file for complete search history.

(56) **References Cited**

U.S. PATENT DOCUMENTS

D517,054 S *	3/2006	Yang	D14/223
D520,497 S *	5/2006	Yang	D14/223
D526,313 S *	8/2006	Murray	D14/223
D529,021 S *	9/2006	Jensen et al.	D14/223
D533,540 S *	12/2006	Murray	D14/205
D538,271 S *	3/2007	Kim et al.	D14/223
D538,792 S *	3/2007	Kim et al.	D14/223
D550,215 S *	9/2007	Udagawa et al.	D14/223

D553,613 S *	10/2007	Sade et al.	D14/223
D554,626 S *	11/2007	Christopher	D14/223
D555,151 S *	11/2007	Eklund	D14/223
D559,812 S *	1/2008	Bradford et al.	D14/138
D564,500 S *	3/2008	Wang	D14/223
D566,105 S *	4/2008	Yang et al.	D14/223
D566,694 S *	4/2008	Kim et al.	D14/223
D574,366 S *	8/2008	Sade et al.	D14/223
D574,367 S *	8/2008	Jaakkola et al.	D14/223
D575,276 S *	8/2008	Bradford et al.	D14/223

* cited by examiner

Primary Examiner—Paula Greene

(74) *Attorney, Agent, or Firm*—Banner & Witcoff, Ltd

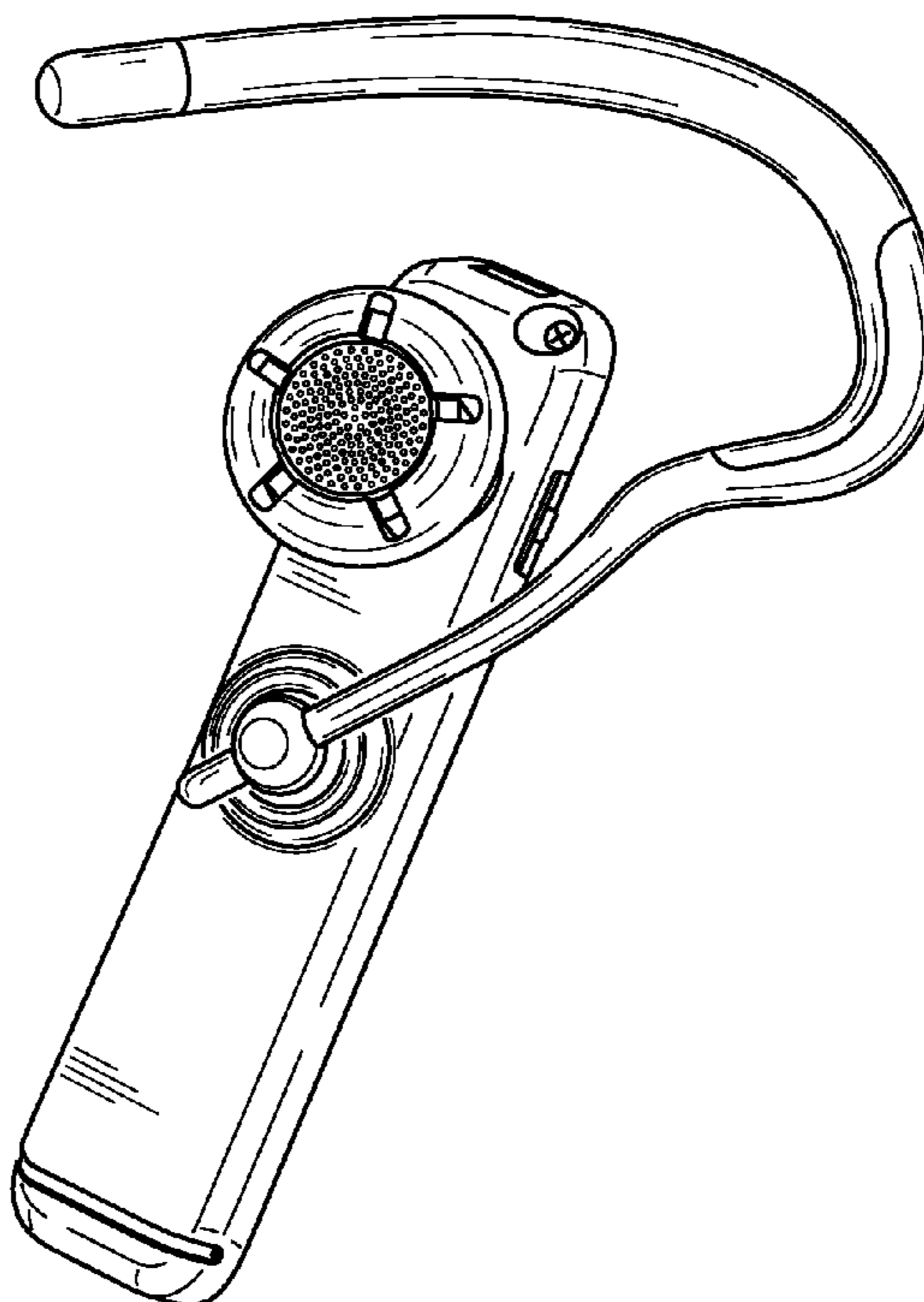
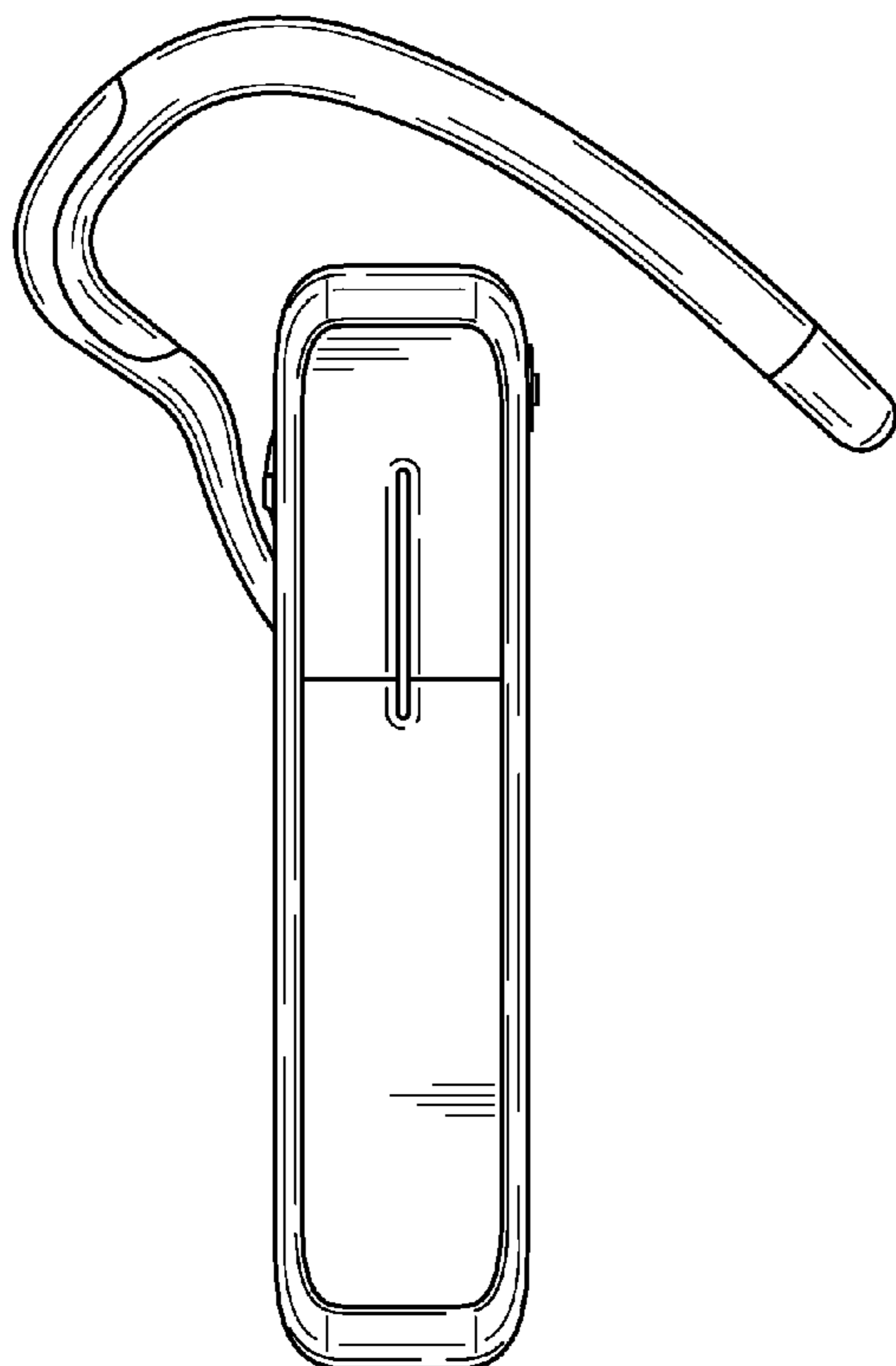
(57) **CLAIM**

The ornamental design for a headset, as shown and described.

DESCRIPTION

FIG. 1 is a front view of a headset showing our new design;
 FIG. 2 is a rear view thereof;
 FIG. 3 is a perspective front view thereof;
 FIG. 4 is a perspective rear view thereof;
 FIG. 5 is a right side view thereof, the undisclosed portion is not part of the claimed design;
 FIG. 6 is a left side view thereof;
 FIG. 7 is a top view thereof; and,
 FIG. 8 is a bottom view thereof.

1 Claim, 4 Drawing Sheets



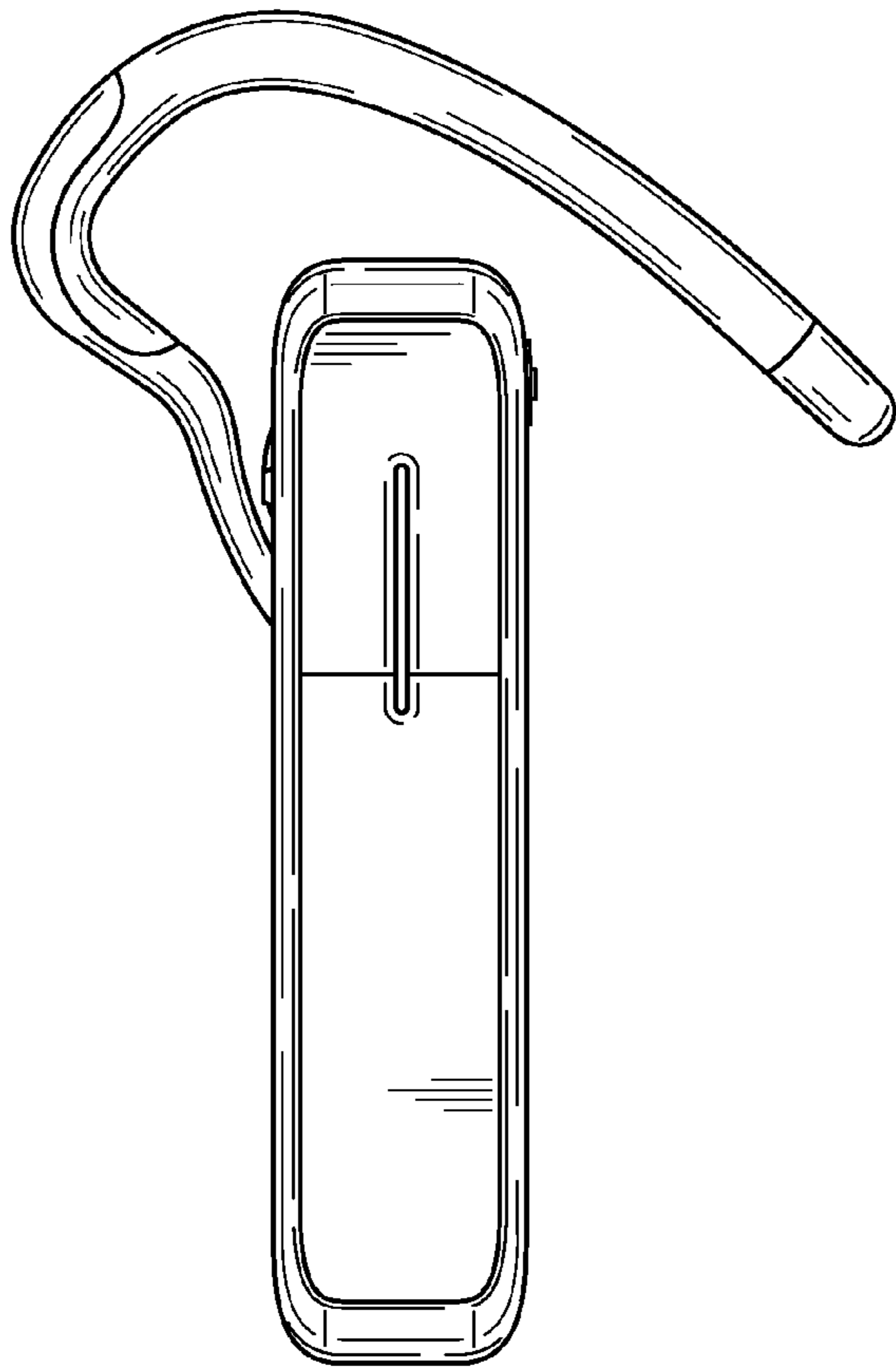


FIG. 1

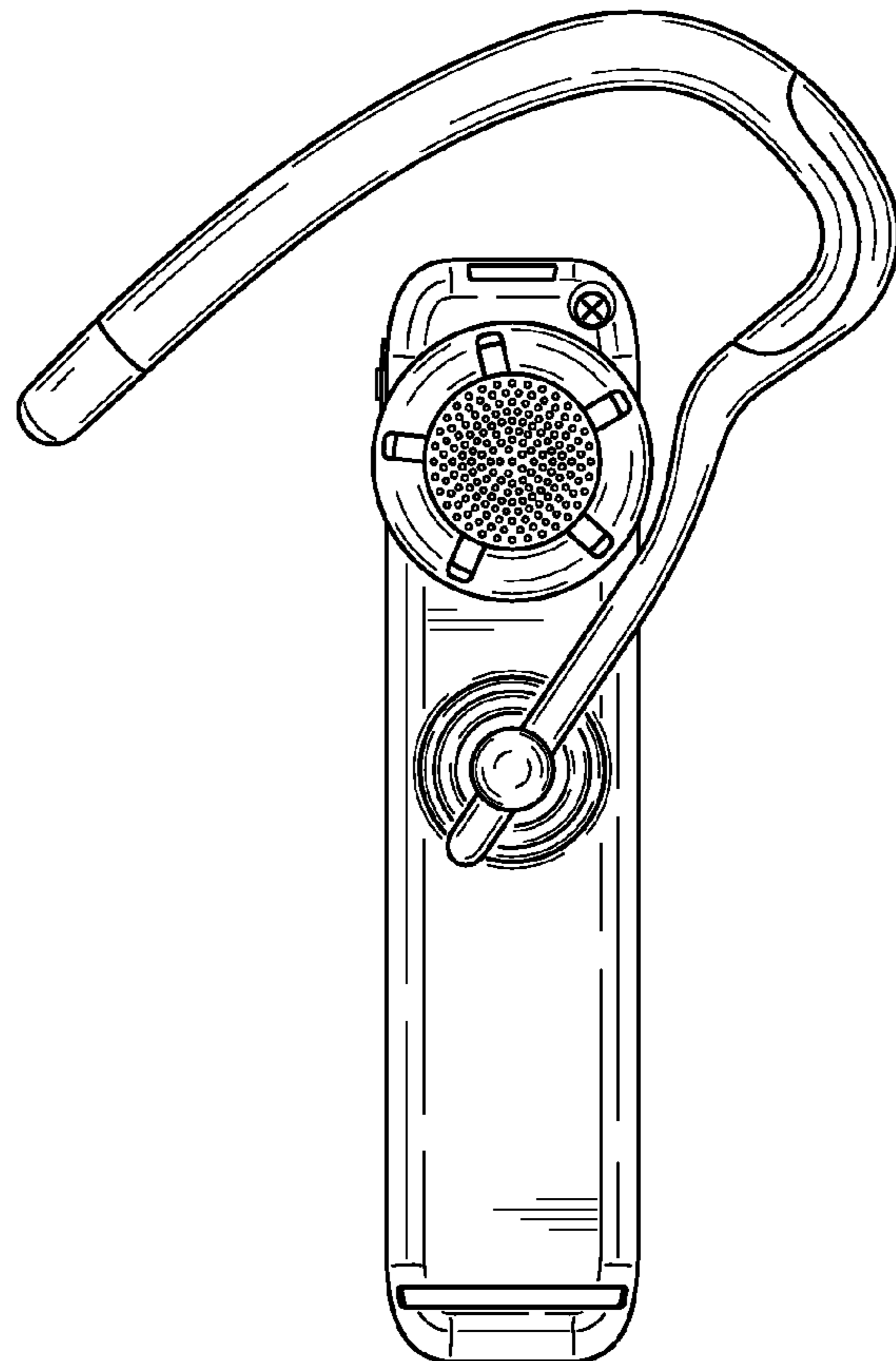


FIG. 2

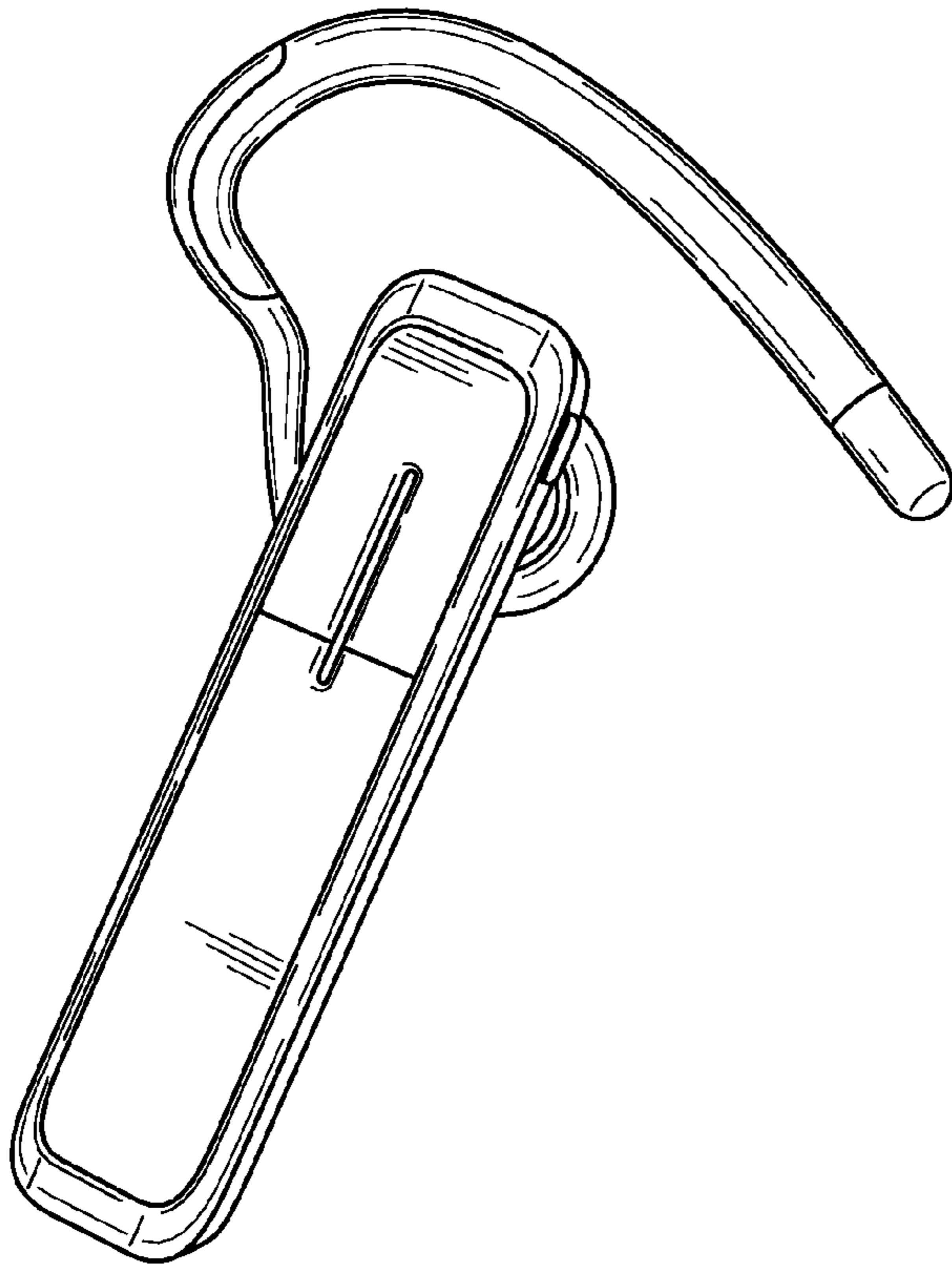


FIG. 3

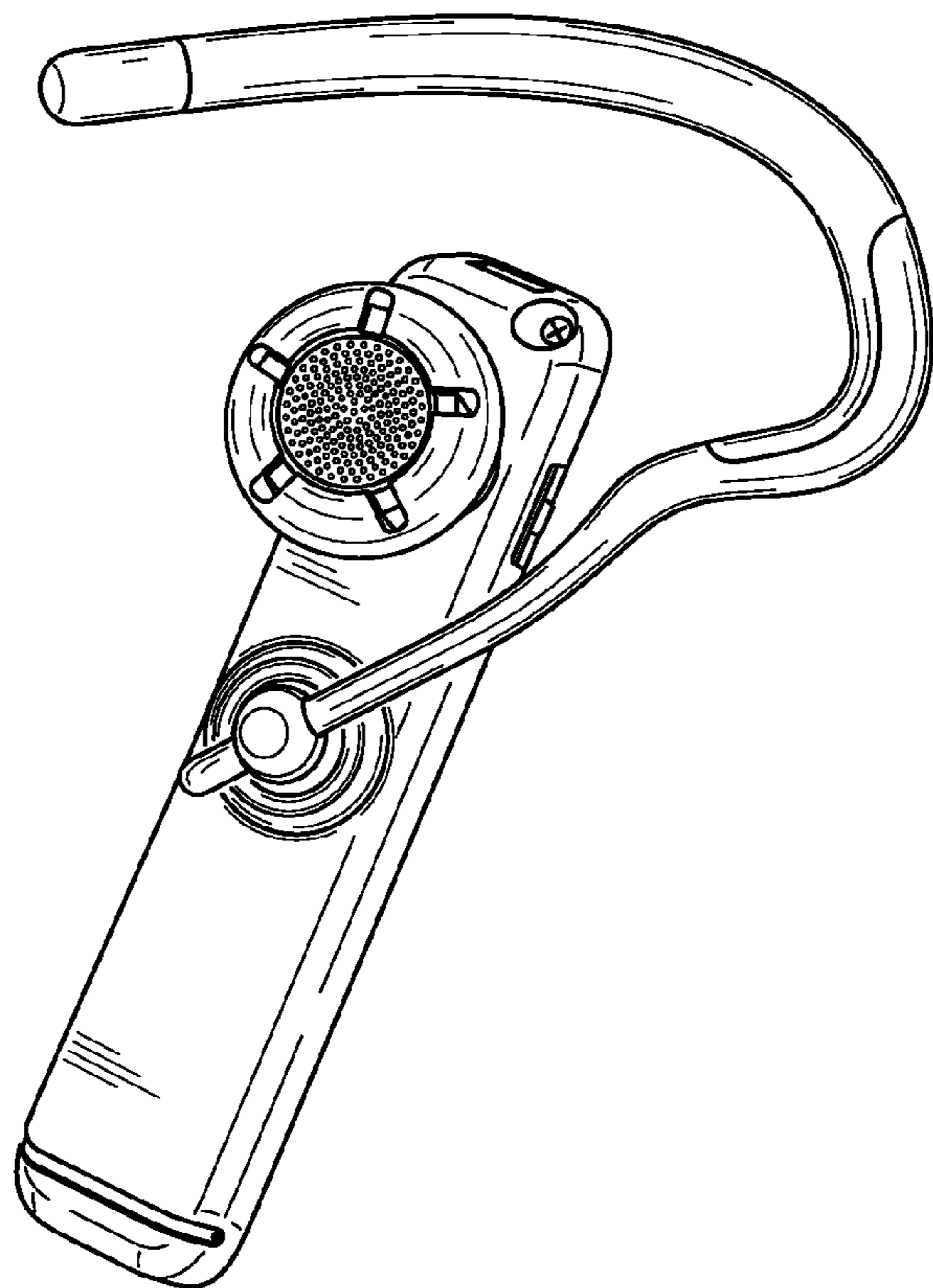


FIG. 4

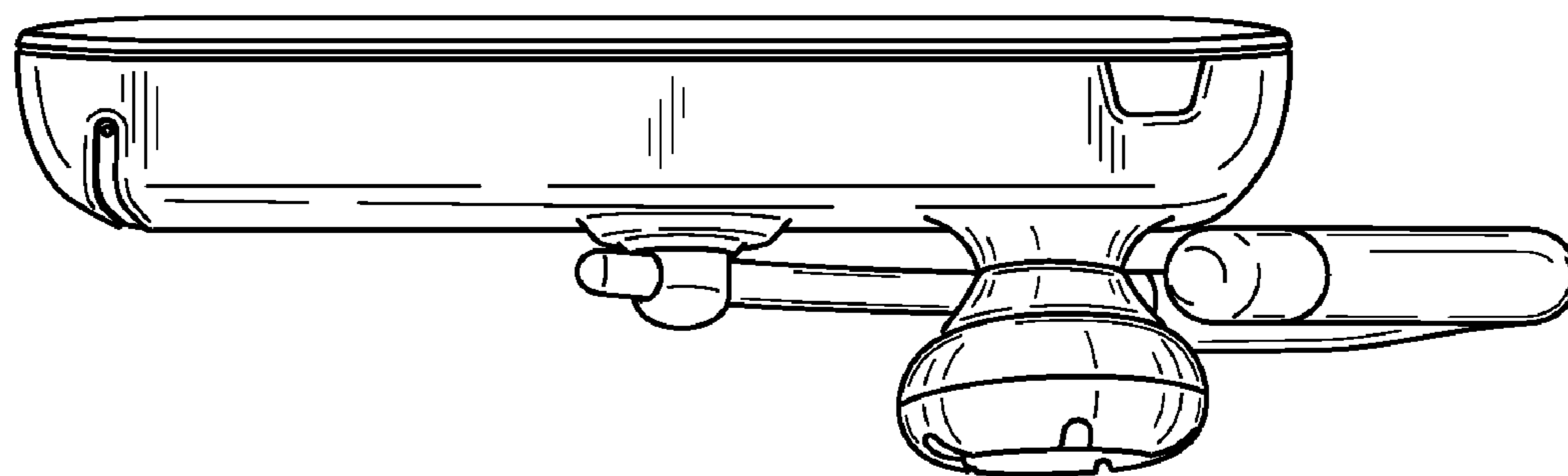


FIG. 5

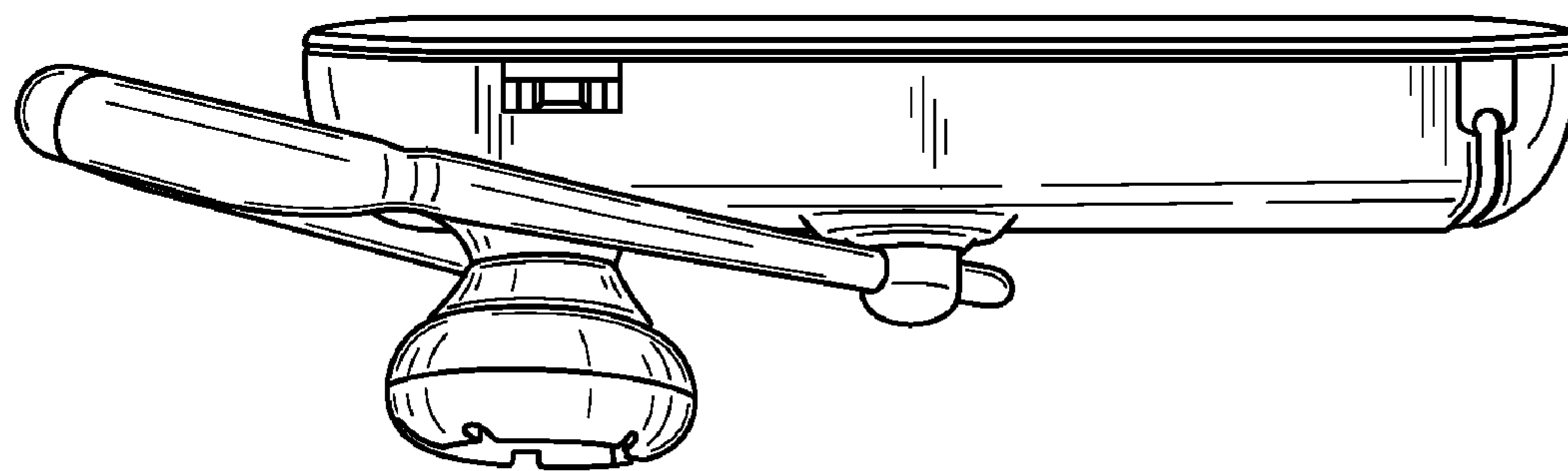


FIG. 6

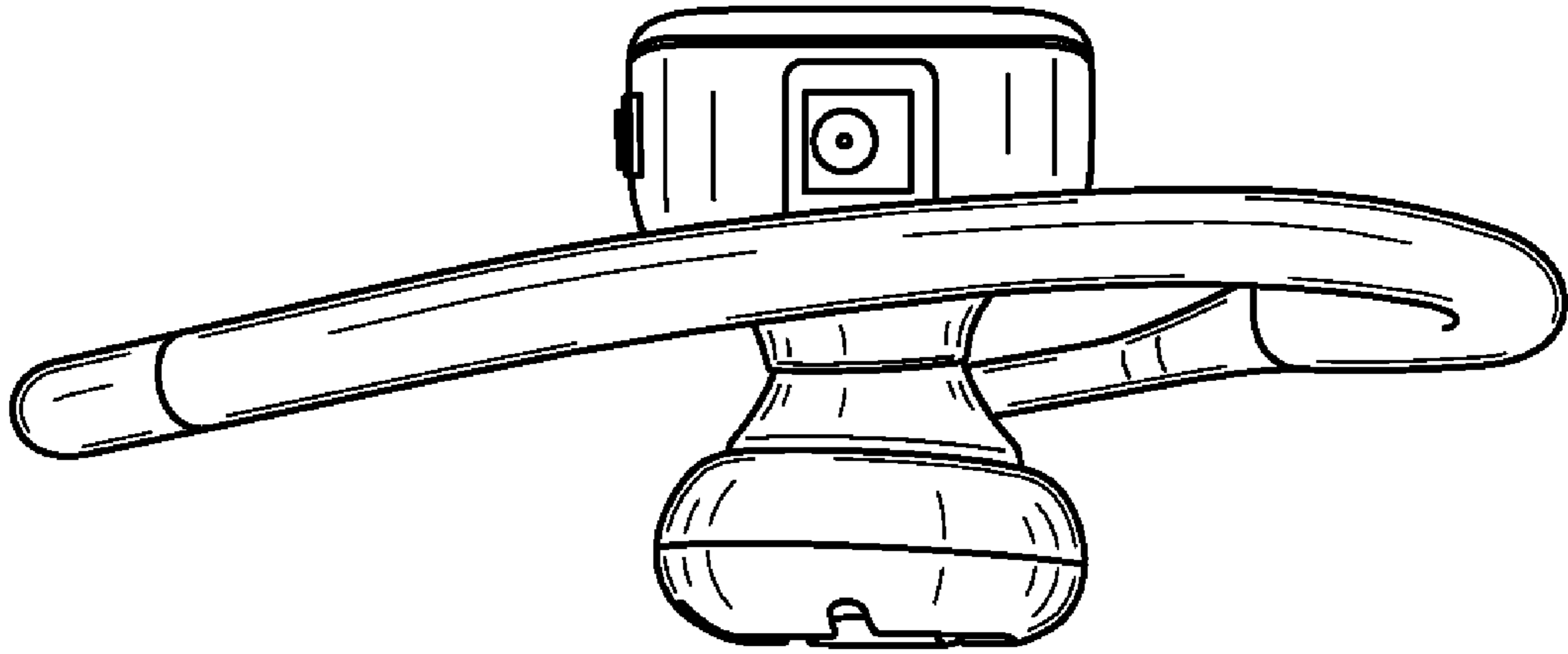


FIG. 7

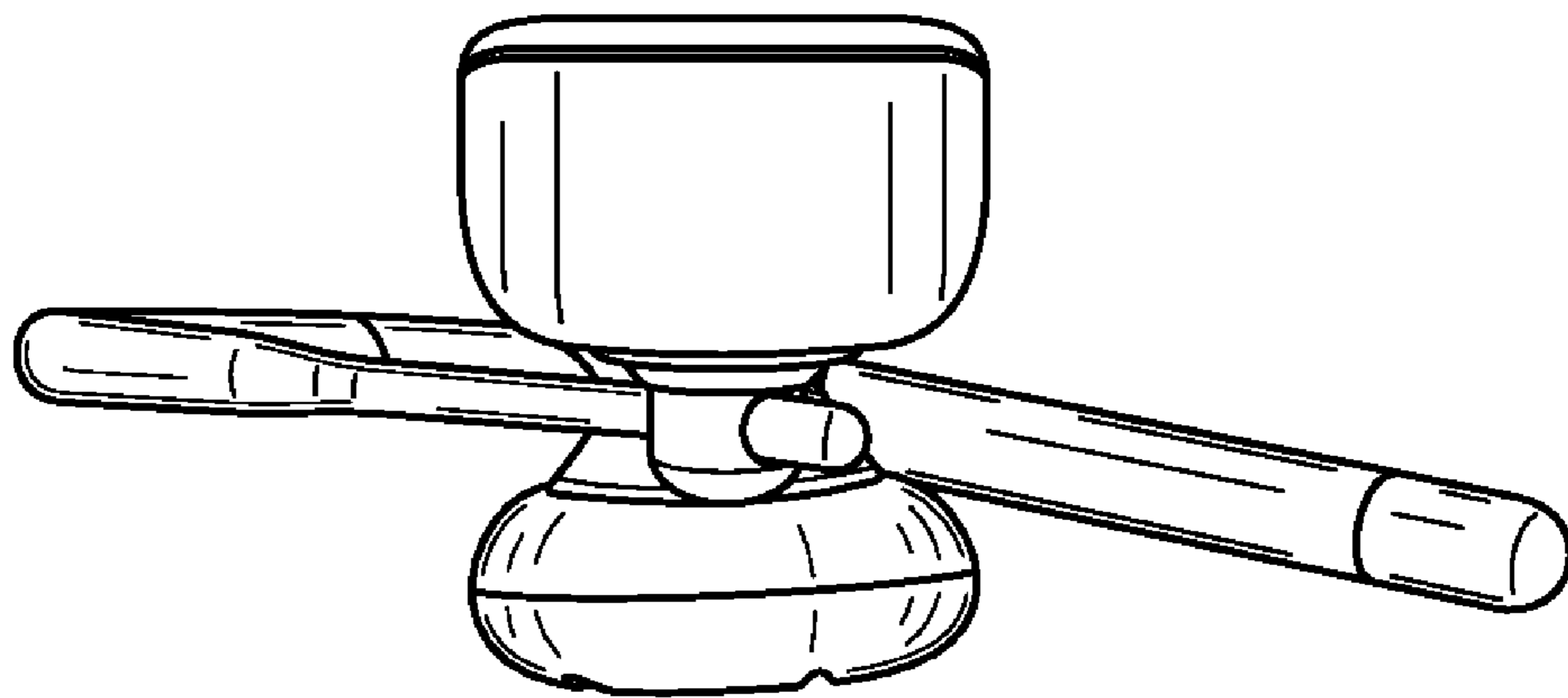


FIG. 8