



US00D590812S

(12) **United States Design Patent**
Muraoka et al.

(10) **Patent No.:** **US D590,812 S**

(45) **Date of Patent:** **** Apr. 21, 2009**

(54) **SPEAKER**

(75) Inventors: **Shunji Muraoka, Yao (JP); Hitoshi Nishiyama, Yao (JP)**

(73) Assignee: **Hosiden Corporation, Osaka (JP)**

(**) Term: **14 Years**

(21) Appl. No.: **29/319,952**

(22) Filed: **Jun. 18, 2008**

(30) **Foreign Application Priority Data**

Dec. 26, 2007 (JP) 2007-035577
Dec. 26, 2007 (JP) 2007-035578
Dec. 26, 2007 (JP) 2007-035579

(51) **LOC (9) Cl.** **14-01**

(52) **U.S. Cl.** **D14/215**

(58) **Field of Classification Search** D14/204,
D14/210–216, 172; 181/143–144, 147–148,
181/150–153, 157, 198–199; 381/300–303,
381/306, 332–333, 336, 345, 361–364, 386–388
See application file for complete search history.

(56) **References Cited**

U.S. PATENT DOCUMENTS

D282,540 S * 2/1986 Clason D14/214

D485,256 S * 1/2004 Allen D14/215

D505,942 S * 6/2005 Meyer et al. D14/215

D531,989 S * 11/2006 Dayan D14/215

D553,611 S * 10/2007 Gan et al. D14/214

* cited by examiner

Primary Examiner—Nanda Bondade

(74) *Attorney, Agent, or Firm*—Panitch Schwarze Belisario & Nadel LLP

(57) **CLAIM**

The ornamental design for a speaker, as shown and described.

DESCRIPTION

FIG. 1 is a front, right side and top perspective view of a speaker showing our new design;

FIG. 2 is front elevational view thereof;

FIG. 3 is a rear elevational view thereof;

FIG. 4 is a top plan view thereof;

FIG. 5 is a bottom plan view thereof; and,

FIG. 6 is a left side elevational view thereof.

1 Claim, 2 Drawing Sheets

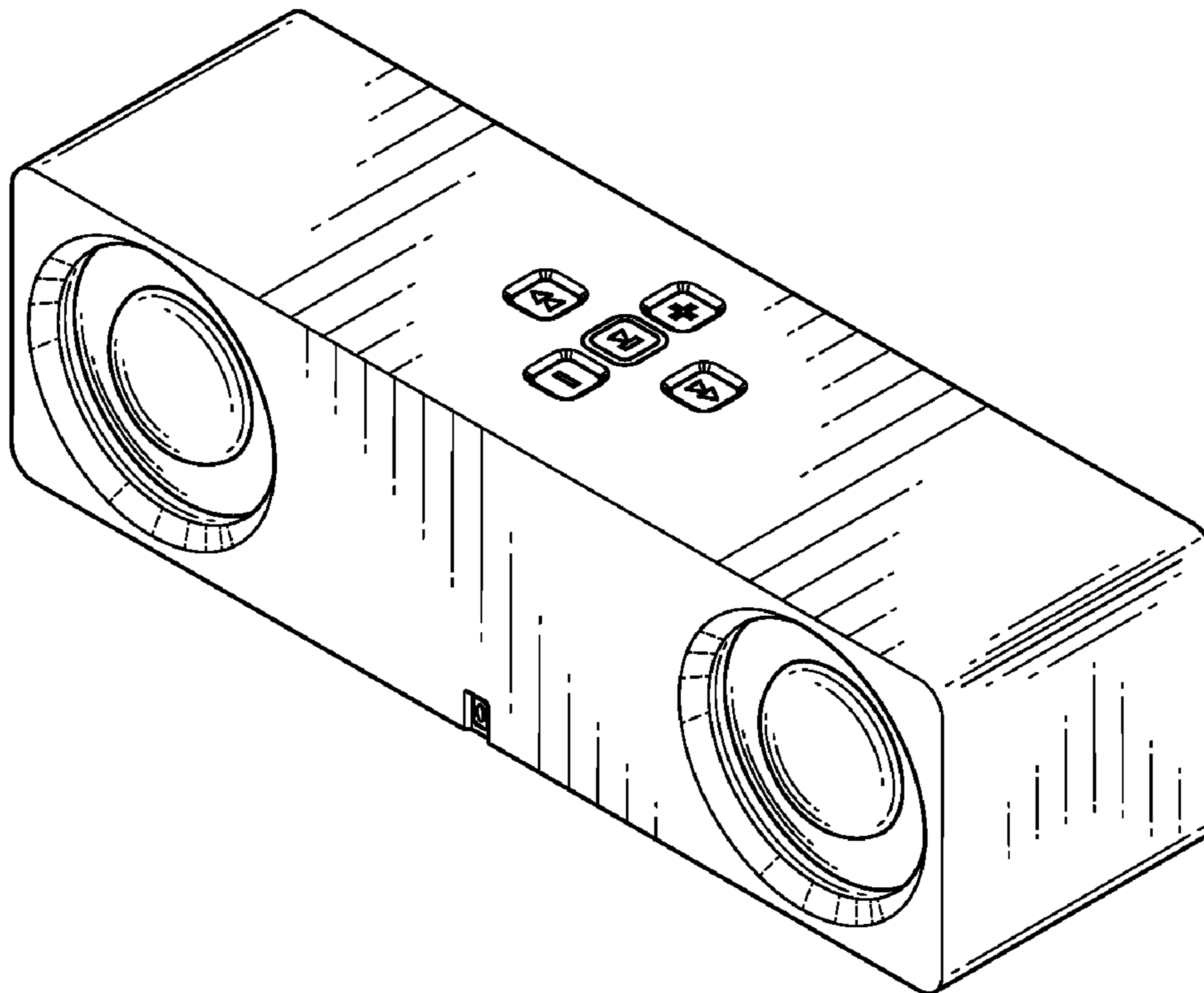


Fig. 1

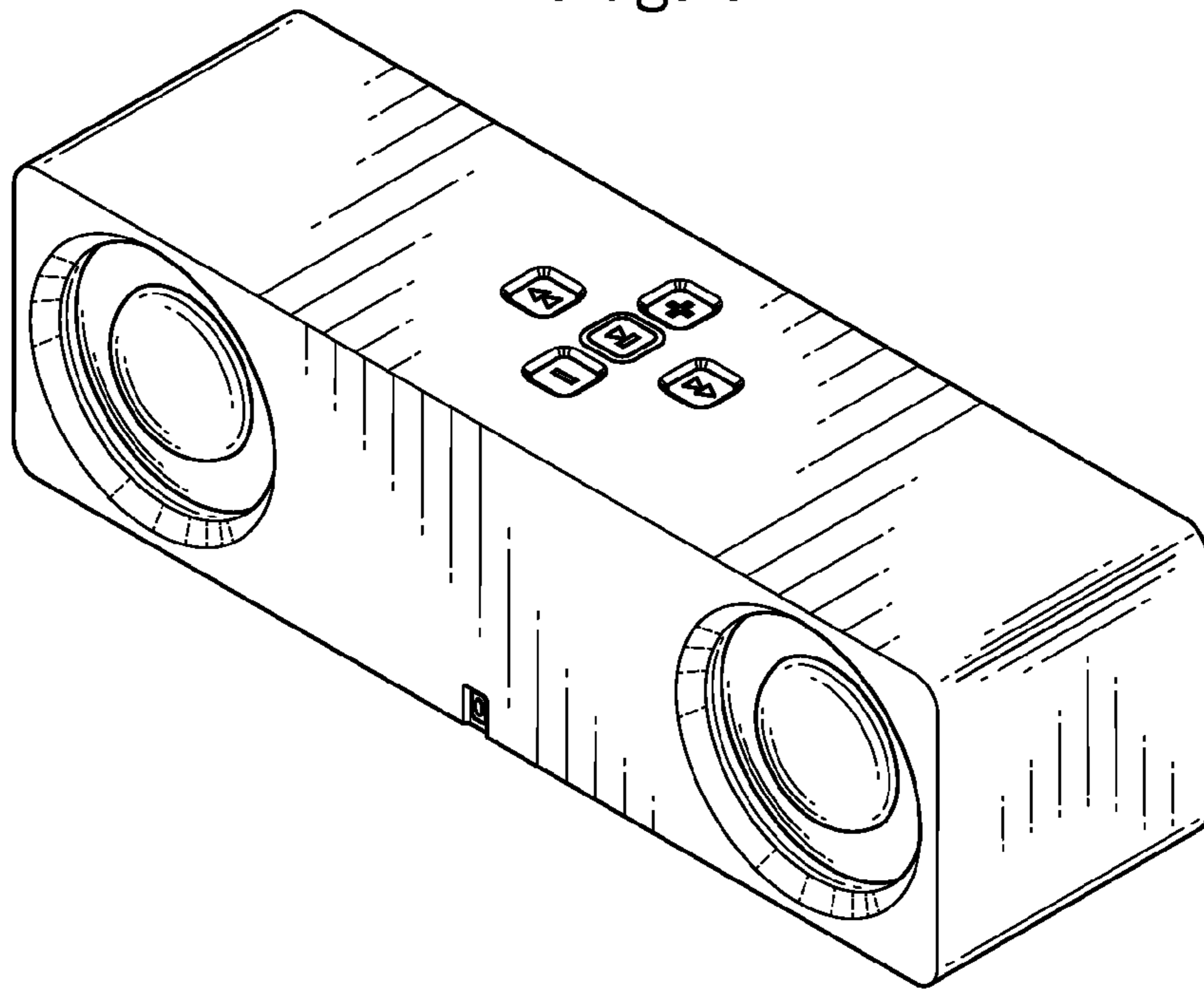


Fig. 2

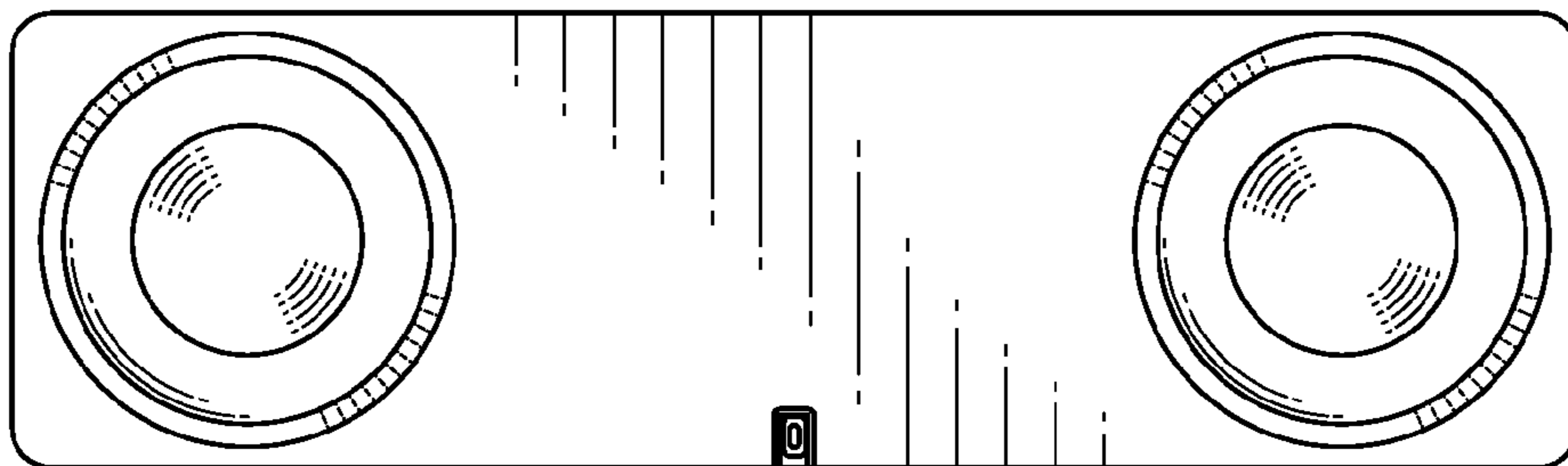


Fig. 3

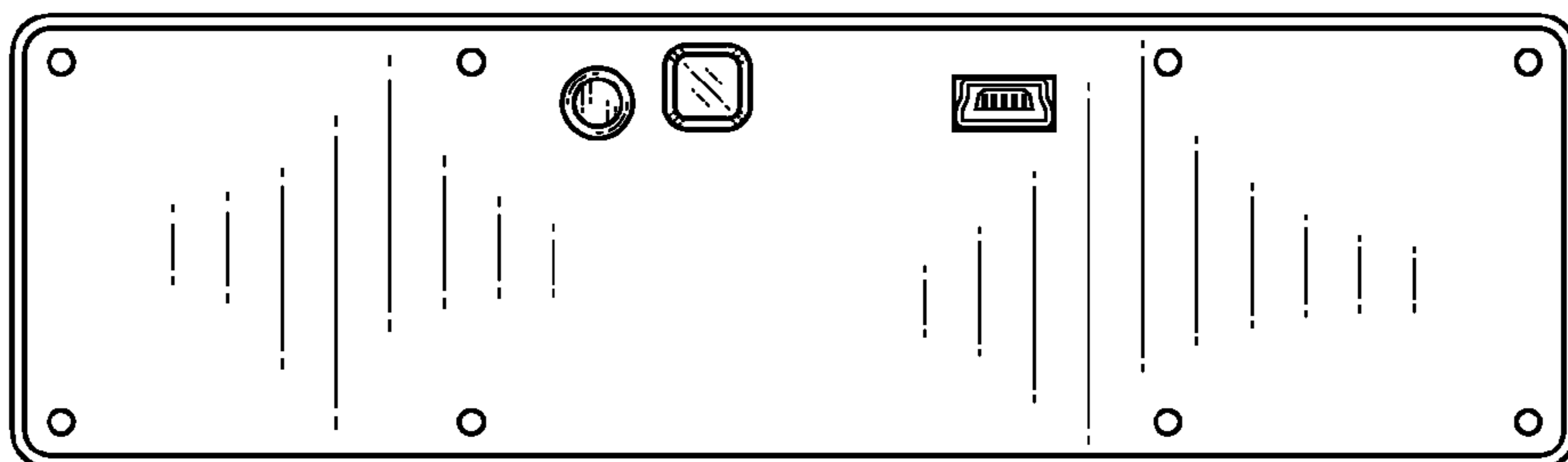


Fig. 4

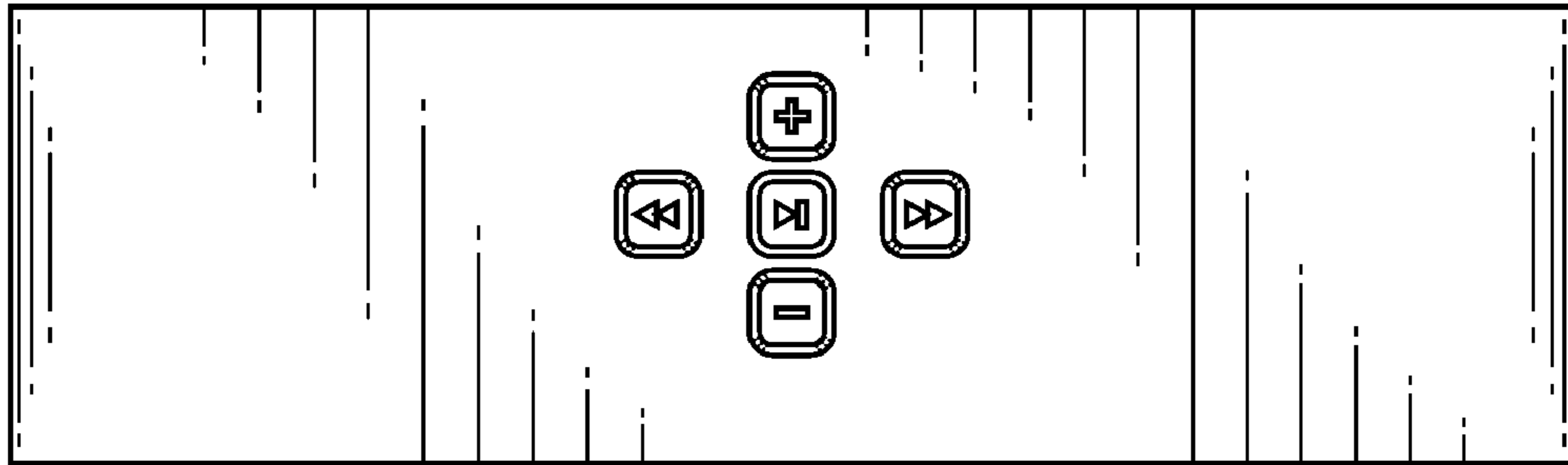


Fig. 5

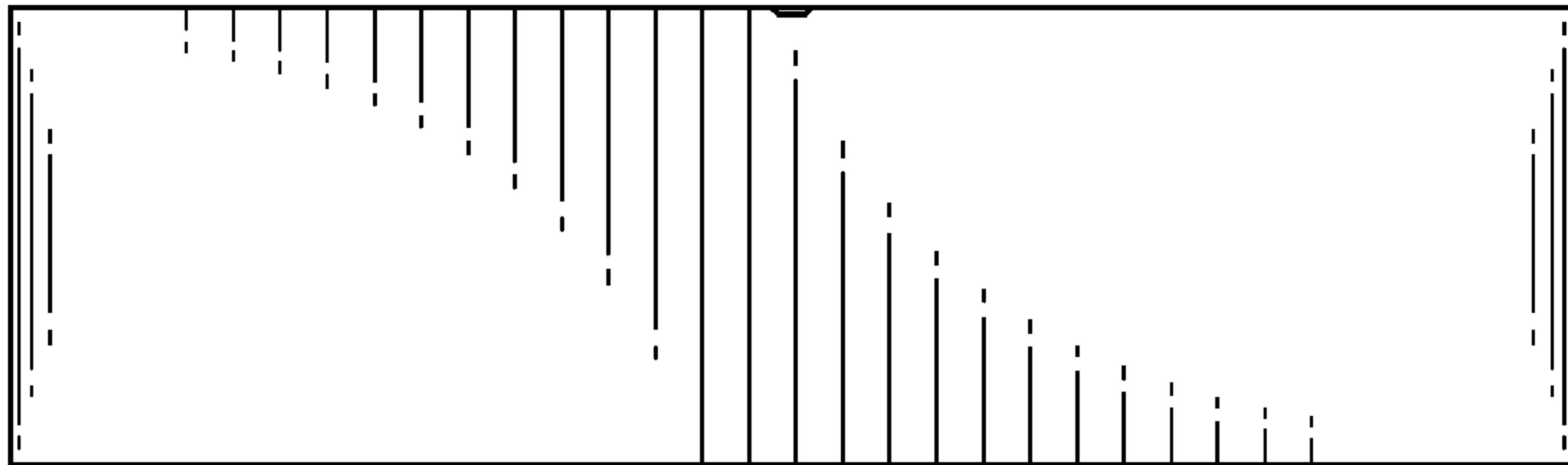


Fig. 6

